



US00D952638S

(12) **United States Design Patent** (10) **Patent No.:** **US D952,638 S**
Kirchner et al. (45) **Date of Patent:** **** May 24, 2022**

(54) **SCANNER WITH DISPLAY**
(71) Applicant: **Workaround GmbH**, Munich (DE)
(72) Inventors: **Matthias Kirchner**, Munich (DE);
Danijel Juric, Munich (DE)
(**) Term: **15 Years**
(21) Appl. No.: **29/811,414**
(22) Filed: **Oct. 14, 2021**

D374,830 S *	10/1996	Dexter	D10/103
D393,837 S *	4/1998	Umetsu	D14/384
D416,556 S *	11/1999	Kizawa	D14/507
D424,603 S *	5/2000	Jones	D14/337
D456,020 S *	4/2002	Obata	D14/336
D462,688 S *	9/2002	Schieffers	D14/420
D580,282 S *	11/2008	Bray	D10/50
D690,138 S *	9/2013	Kikkert	D6/672
D785,623 S *	5/2017	Kaiya	D14/384
D802,593 S *	11/2017	Zhang	D14/420
D875,568 S *	2/2020	Read	D10/50
D890,753 S *	7/2020	Iasso	D14/384

* cited by examiner

Related U.S. Application Data

(62) Division of application No. 35/509,995, filed on Jul. 16, 2020 (U.S. filing date under 35 U.S.C. 384), and having an international filing date of Jul. 16, 2020.
(51) **LOC (13) Cl.** **14-02**
(52) **U.S. Cl.**
USPC **D14/420; D14/427**
(58) **Field of Classification Search**
USPC D10/50; D13/107, 108, 184; D14/203.1, D14/203.3, 203.7, 248, 250, 315-318, D14/341, 371, 388, 389, 412, 420, 427, D14/453, 385
CPC G06K 7/10564; G06K 7/10584; G06K 7/10881; G06K 7/10891
See application file for complete search history.

Primary Examiner — L. A. Grabenstetter

(74) *Attorney, Agent, or Firm* — Rumit Ranjit Kanakia

(57) **CLAIM**

We claim the ornamental design for a scanner with display, as shown and described.

DESCRIPTION

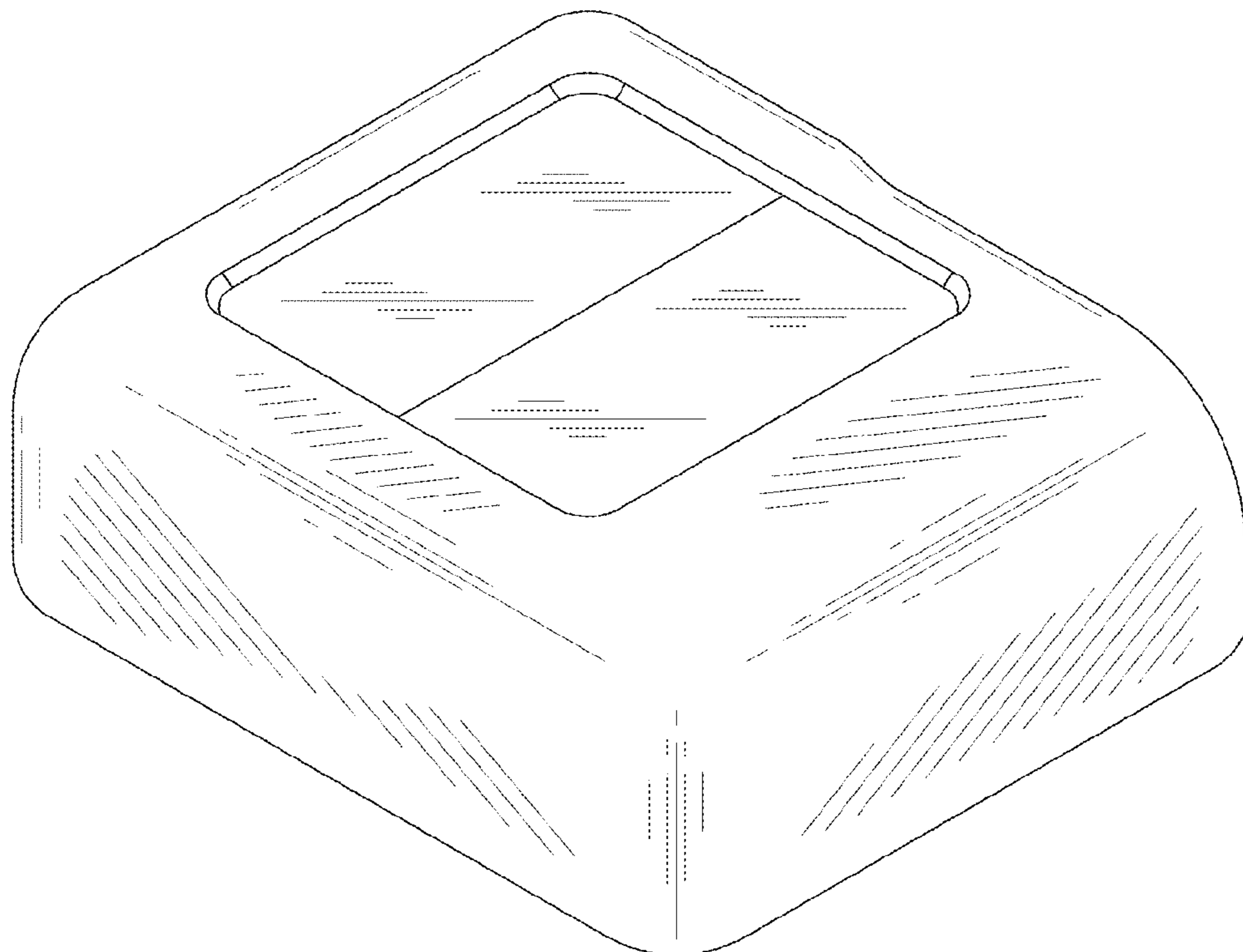
FIG. 1 is a Perspective view of a first embodiment scanner with display showing my new design;
FIG. 2 is a Top view thereof;
FIG. 3 is a Front view thereof;
FIG. 4 is a Left-side view thereof;
FIG. 5 is a Perspective view of a second embodiment of the scanner with display showing my new design;
FIG. 6 is a Top view thereof;
FIG. 7 is a Front view thereof; and,
FIG. 8 is a Left-side view thereof.

(56) **References Cited**

U.S. PATENT DOCUMENTS

D310,340 S *	9/1990	Wada	D10/50
D362,427 S *	9/1995	Mizusugi	D18/4.4

1 Claim, 8 Drawing Sheets



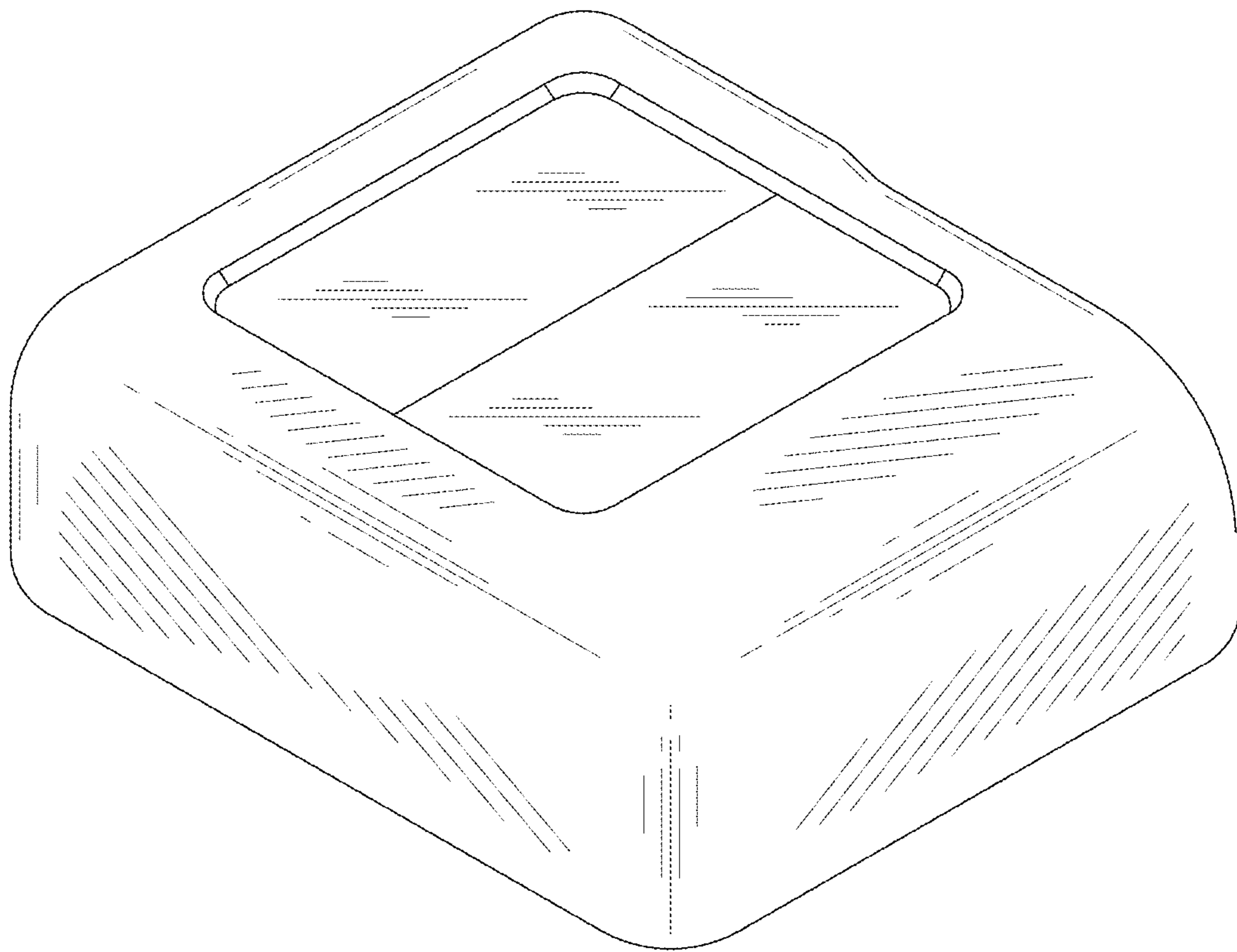


FIG. 1

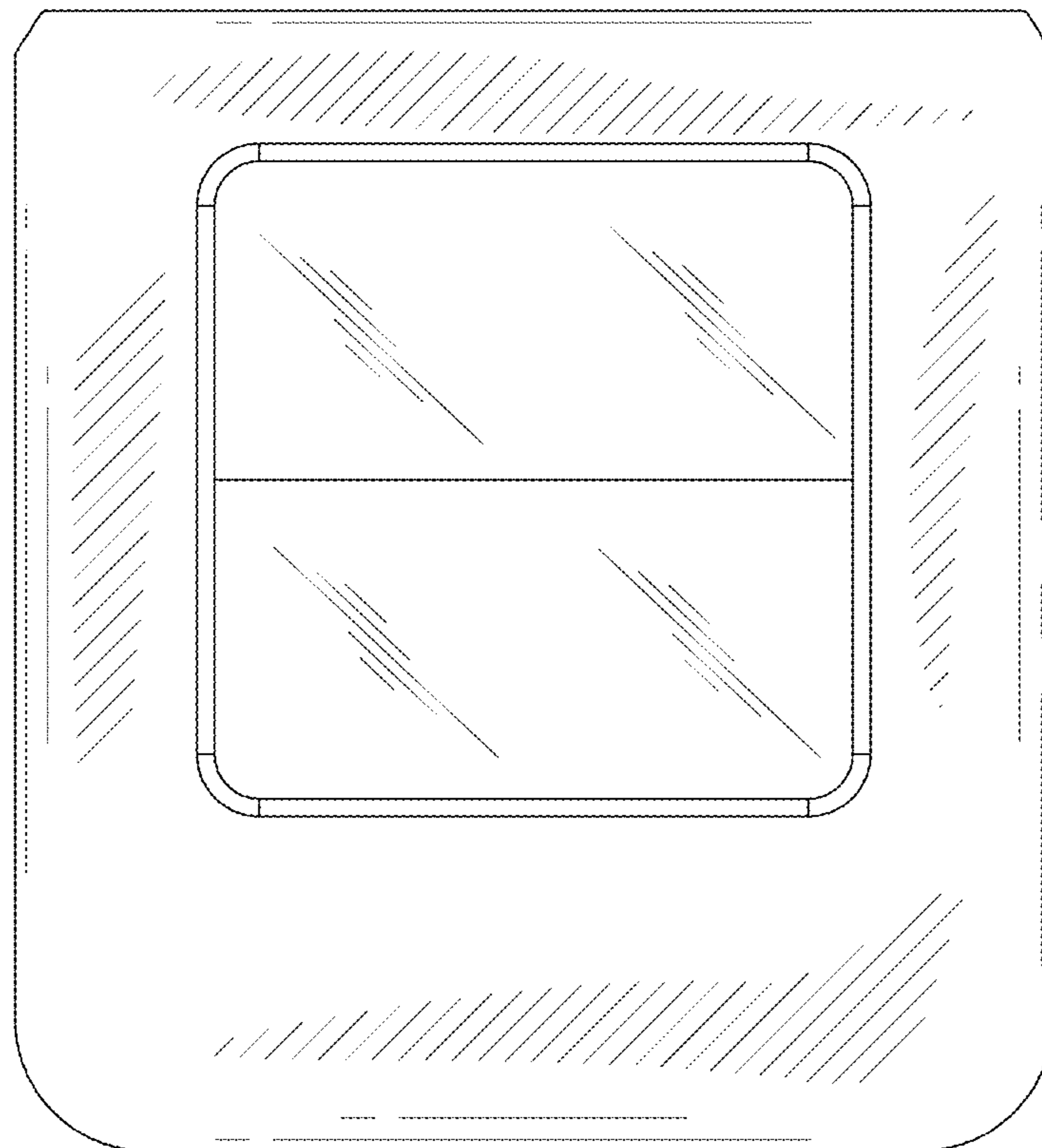


FIG. 2

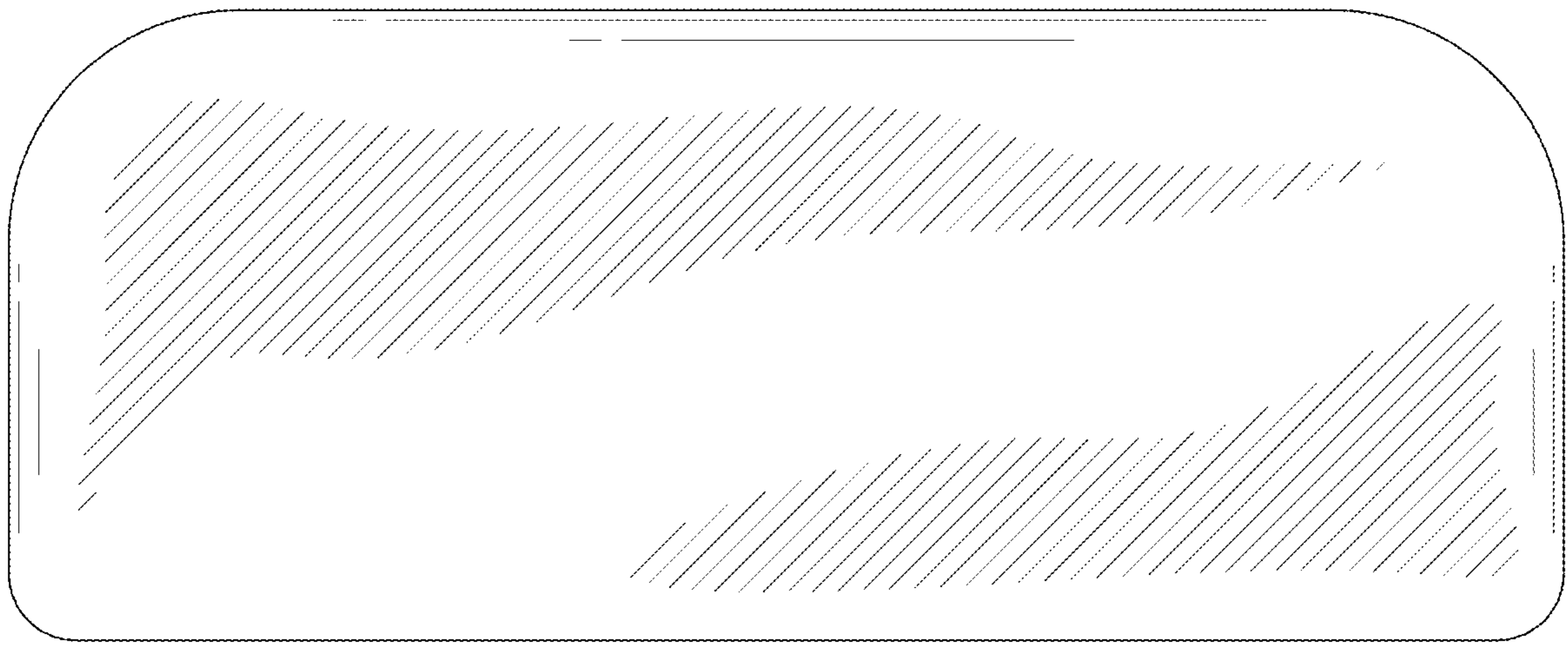


FIG. 3

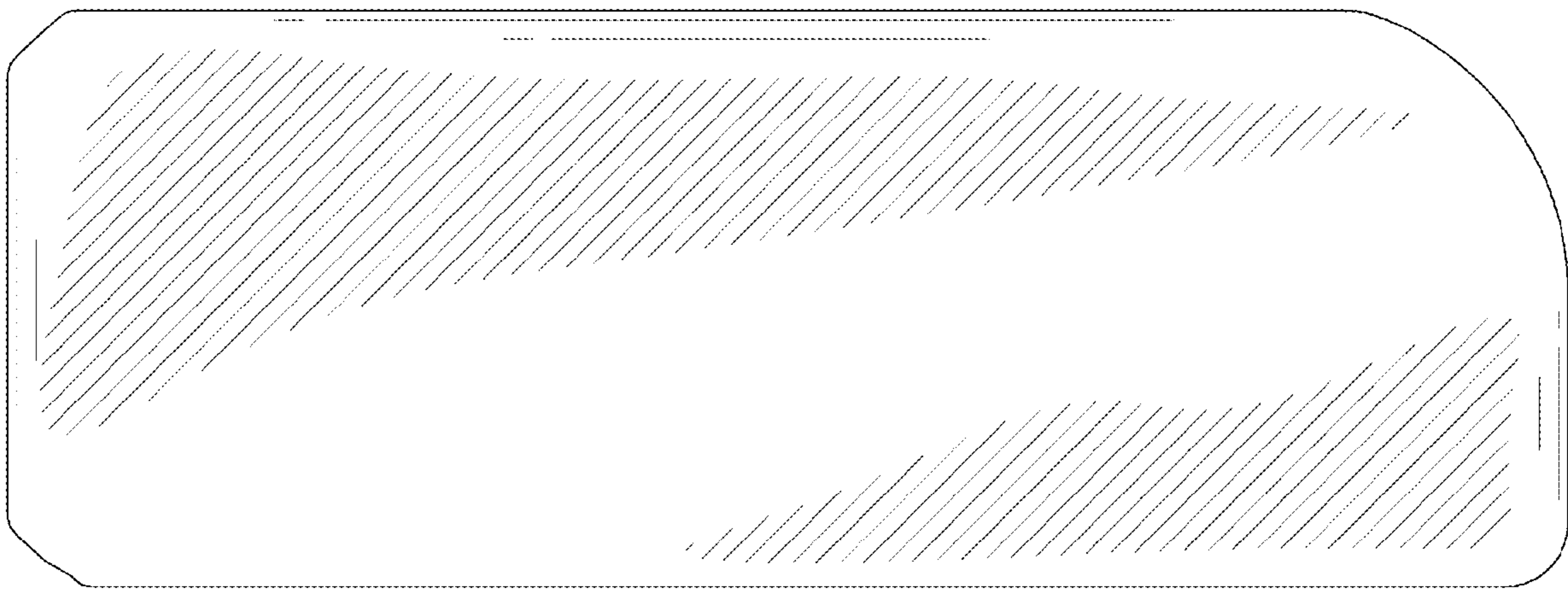


FIG. 4

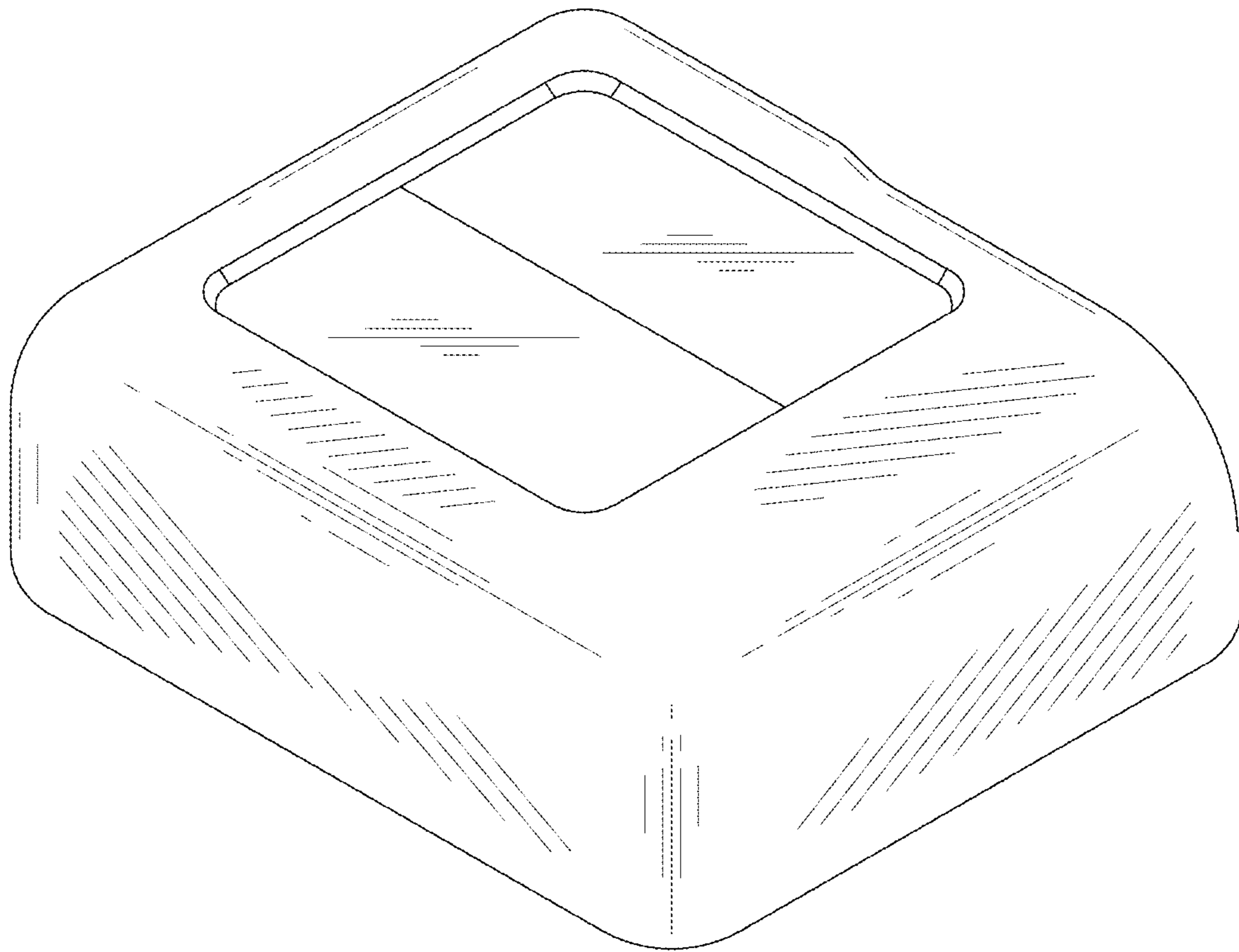


FIG. 5

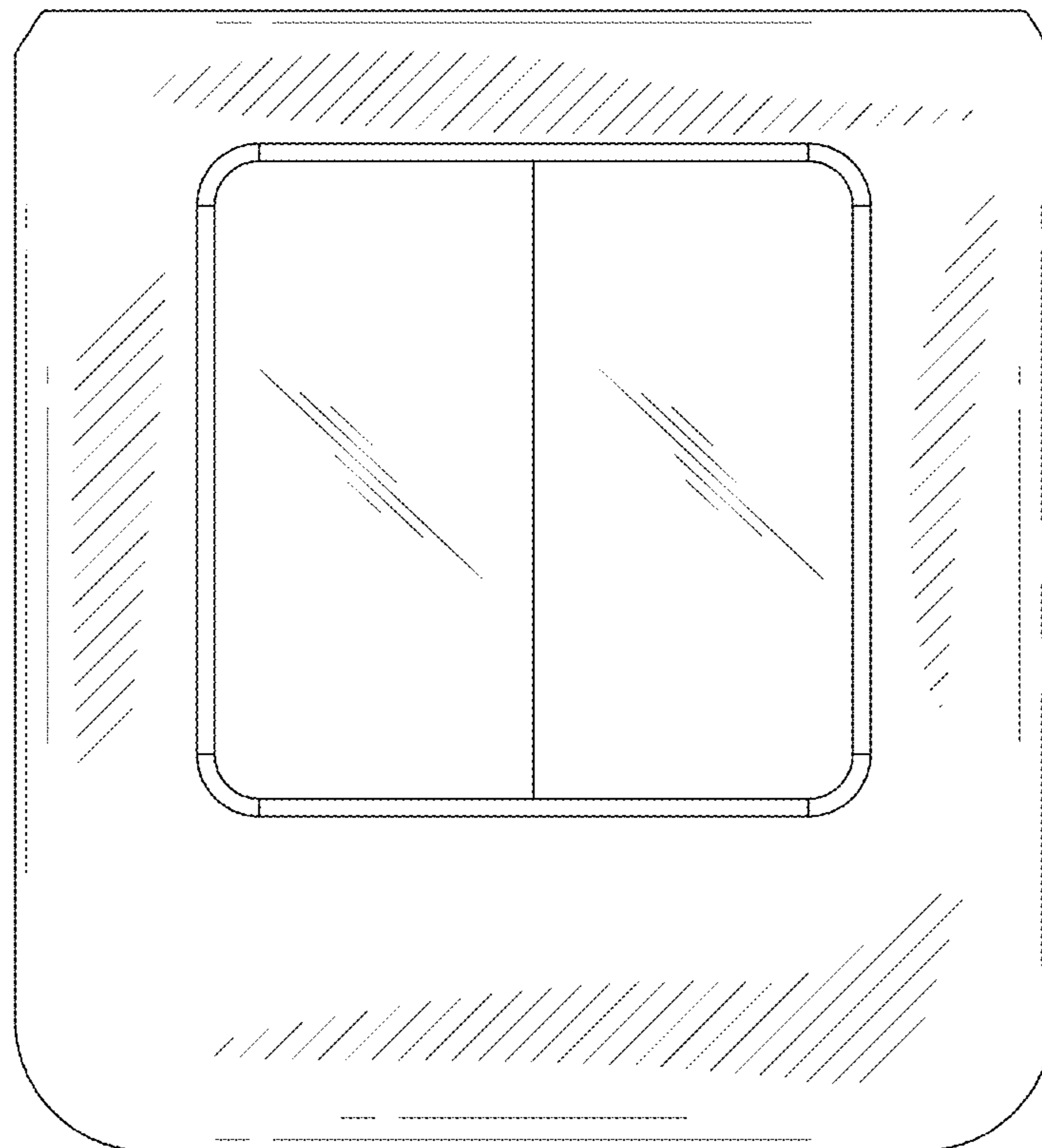


FIG. 6

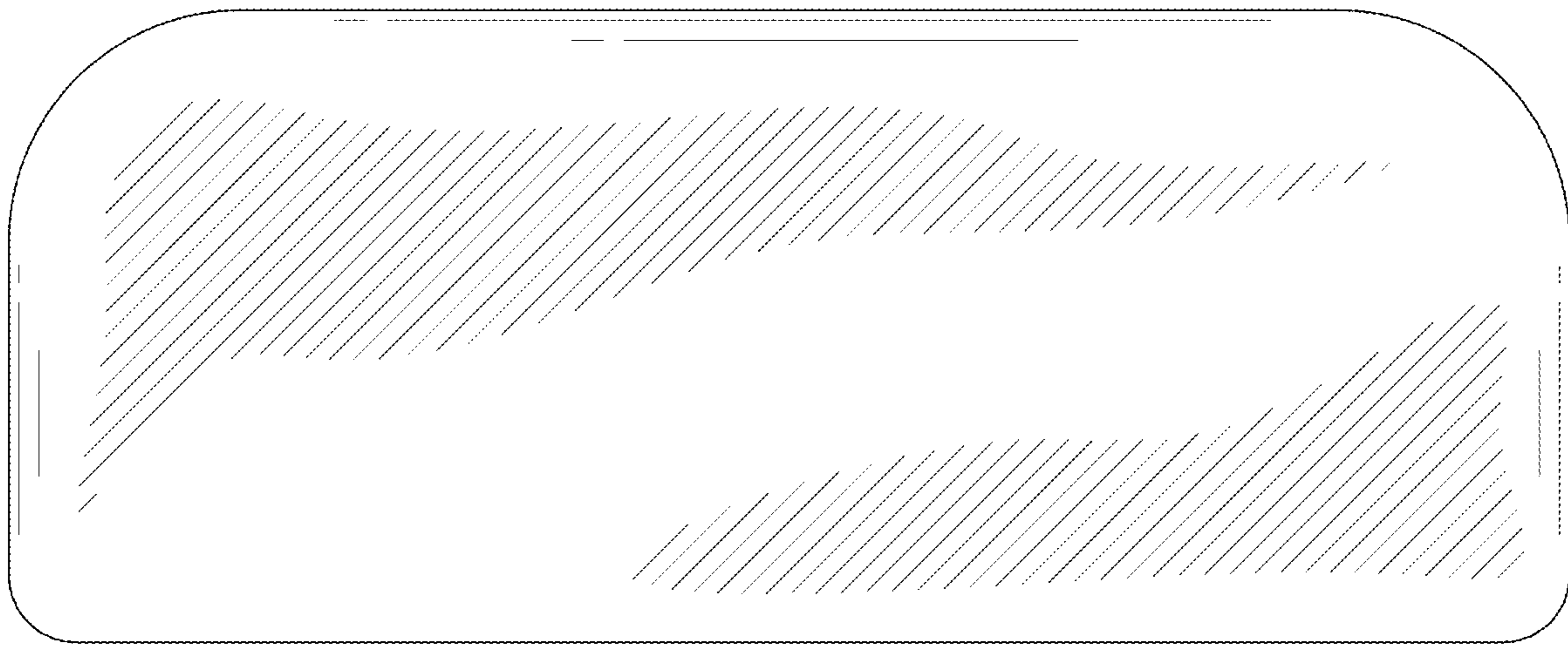


FIG. 7

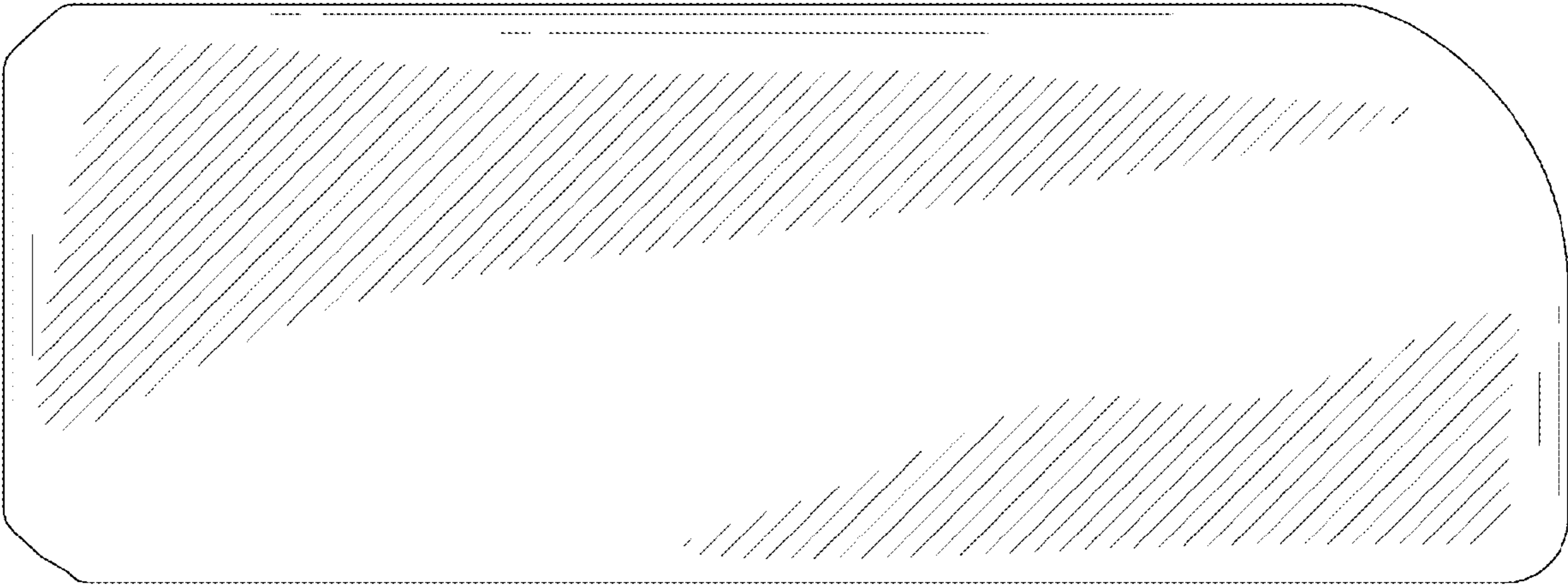


FIG. 8