



US00D952632S

(12) **United States Design Patent** (10) **Patent No.:** **US D952,632 S**
Tan et al. (45) **Date of Patent:** **** May 24, 2022**

(54) **KEYBOARD WITH BUILT-IN MOUSE**

(71) Applicant: **SHENZHEN QIANHAI PATUOXUN NETWORK AND TECHNOLOGY CO., LTD.**, Shenzhen (CN)

(72) Inventors: **Fawei Tan**, Shenzhen (CN); **Ying Wei**, Shenzhen (CN)

(73) Assignee: **SHENZHEN QIANHAI PATUOXUN NETWORK AND TECHNOLOGY CO., LTD.**, Shenzhen (CN)

(**) Term: **15 Years**

(21) Appl. No.: **29/799,318**

(22) Filed: **Jul. 14, 2021**

Related U.S. Application Data

(63) Continuation-in-part of application No. 29/754,848, filed on Oct. 15, 2020, now Pat. No. Des. 936,055.

(51) **LOC (13) Cl.** **14-02**

(52) **U.S. Cl.**
USPC **D14/393**

(58) **Field of Classification Search**
USPC D14/247, 315-327, 331-333, 338, D14/345-347, 387, 390-401, 406, 429,
(Continued)

(56) **References Cited**

U.S. PATENT DOCUMENTS

D285,201 S * 8/1986 Kim D14/397
D291,574 S * 8/1987 Kim D14/397
(Continued)

FOREIGN PATENT DOCUMENTS

CN 306847240 * 9/2021
EM 008202683-0001 * 11/2020
EM 008658868-0001 * 8/2021

OTHER PUBLICATIONS

WKB-3150UB Wireless Ergonomic Keyboard, Adesso, amazon.com, published by Adesso, first available on Sep. 27, 2017 © 1996-2021 Amazon.com, Inc., online, site visited Nov. 14, 2021. Available at URL: https://www.amazon.com/Adesso-WKB-3150UB-Ergonomic-Built-Compatible/dp/B075ZBGX6F/ref=sr_1_1?keywords=%2FAdesso-WKB-3150UB&qid=1636928432&sr=8-1 (Year: 2017).*

(Continued)

Primary Examiner — Sandra Snapp
Assistant Examiner — Altaira J Swangin

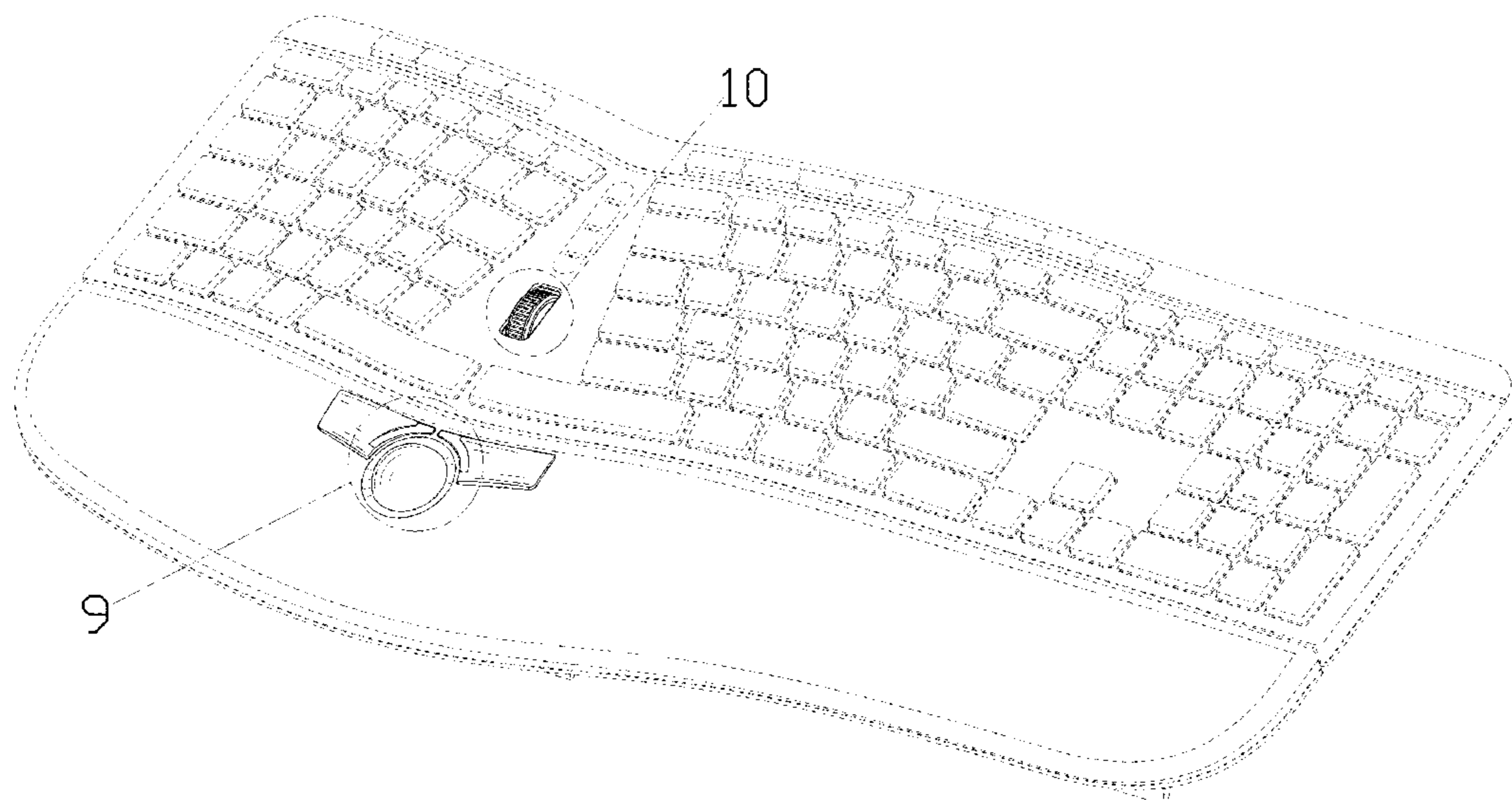
(57) **CLAIM**

The ornamental design for a keyboard with built-in mouse, as shown and described.

DESCRIPTION

FIG. 1 is a perspective view of a keyboard with built-in mouse showing our new design;
FIG. 2 is another perspective view thereof;
FIG. 3 is a front elevational view thereof;
FIG. 4 is a rear elevational view thereof;
FIG. 5 is a left side elevational view thereof;
FIG. 6 is a right side elevational view thereof;
FIG. 7 is a top plan view thereof;
FIG. 8 is a bottom plan view thereof;
FIG. 9 is an enlarged view of portion 9 shown in FIG. 1;
FIG. 10 is an enlarged view of portion 10 shown in FIG. 1; and,
FIG. 11 is an enlarged view of portion 11 shown in FIG. 7.
The dash-dash broken lines in the drawings depict portions of the keyboard with built-in mouse that form no part of the claimed design. The dot-dash broken lines represent boundaries of the enlarged portions and form no part of the claimed design.

1 Claim, 11 Drawing Sheets



(58) **Field of Classification Search**

USPC D14/455–457, 460–461; D18/1–2,
D18/4.1–4.6, 7, 11, 12.2, 52; D21/324,
D21/409
CPC B41J 5/00; B41J 5/10; B41J 5/12; G06F
3/021; G06F 3/0216; G06F 3/0219; G06F
3/02

See application file for complete search history.

(56) **References Cited**

U.S. PATENT DOCUMENTS

D340,445 S * 10/1993 Marquardt D14/393
5,360,280 A * 11/1994 Camacho B41J 5/10
341/22
D354,279 S * 1/1995 Ciccone D14/393
D357,011 S * 4/1995 Paull D14/393
D357,476 S * 4/1995 Paull D14/393
D357,911 S * 5/1995 Grant D14/393
D358,145 S * 5/1995 Harada D14/397
D360,629 S * 7/1995 Ho D14/397
D362,432 S * 9/1995 Paull D14/393
D363,277 S * 10/1995 Chung D14/397
D363,480 S * 10/1995 Wu D14/397
D364,400 S * 11/1995 Chen D14/397
D365,552 S * 12/1995 Marquardt D14/393
D368,707 S * 4/1996 Backs D14/397
D368,902 S * 4/1996 Sheu D14/393
D369,594 S * 5/1996 Vossoughi D14/397
D370,477 S * 6/1996 Chen D14/393
D371,350 S * 7/1996 Chavarria D14/402
D372,910 S * 8/1996 Chen D14/393
D372,911 S * 8/1996 Wang D14/393
D373,351 S * 9/1996 Chen D14/393
D375,088 S * 10/1996 Tsai D14/393
D375,981 S * 11/1996 Takahata D18/50
D386,169 S * 11/1997 Wang D14/393
D387,050 S * 12/1997 Chen D14/393
D389,137 S * 1/1998 Tsai D14/393
D397,105 S * 8/1998 Chen D14/393
D399,838 S * 10/1998 Tsai D14/393
D410,233 S * 5/1999 Renk D14/395
D414,756 S * 10/1999 Nelson D14/392

D422,273 S * 4/2000 Lee D14/393
D428,888 S * 8/2000 Ledbetter D14/393
D428,889 S * 8/2000 Chen D14/393
D442,589 S * 5/2001 Ledbetter D14/393
D450,056 S * 11/2001 Ledbetter D14/460
D454,877 S * 3/2002 Walker D14/397
D458,931 S * 6/2002 Yu D14/398
D468,320 S * 1/2003 Jones D14/399
D546,831 S * 7/2007 O'Neil D14/455
D598,021 S * 8/2009 Kujawski D14/409
D736,184 S * 8/2015 Olivar D14/218
D740,886 S * 10/2015 Beams D21/333
D767,685 S * 9/2016 Beams D21/333
D803,835 S * 11/2017 Zheng D14/398
D822,874 S * 7/2018 Hu D26/85
D834,022 S * 11/2018 Gleeson D14/409
D871,411 S * 12/2019 Loughnane D14/409
D890,179 S * 7/2020 Xu D14/409
D912,052 S * 3/2021 Xu D14/409
D921,634 S * 6/2021 Tan D14/417
D925,533 S * 7/2021 Zhang D14/393
D936,055 S * 11/2021 Wei D14/393
2003/0011496 A1 * 1/2003 Yu H01H 13/84
341/23
2006/0275069 A1 * 12/2006 Jones G06F 3/0216
400/490
2007/0014621 A1 * 1/2007 Lane A47B 21/0371
400/715
2008/0138136 A1 * 6/2008 Sauvage G06F 3/0216
400/488
2018/0232060 A1 * 8/2018 Lien H01H 13/70
2021/0137262 A1 * 5/2021 Sauvage A47B 21/0371
2022/0011875 A1 * 1/2022 Lin G06F 3/0208

OTHER PUBLICATIONS

Wireless Ergonomic Keyboard, VictSing, walmart.com, author and date unlisted © 2021 Walmart.com, Inc., online, site visited Nov. 14, 2021. Available at URL: <https://www.walmart.com/ip/VictSing-Wireless-Ergonomic-Keyboard-with-Trackball-Scroll-Wheel-2-4G-Quiet-Split-Computer-PC-Keyboard-with-16-Multimedia-Keys/201346531> (Year: 2021).*

* cited by examiner

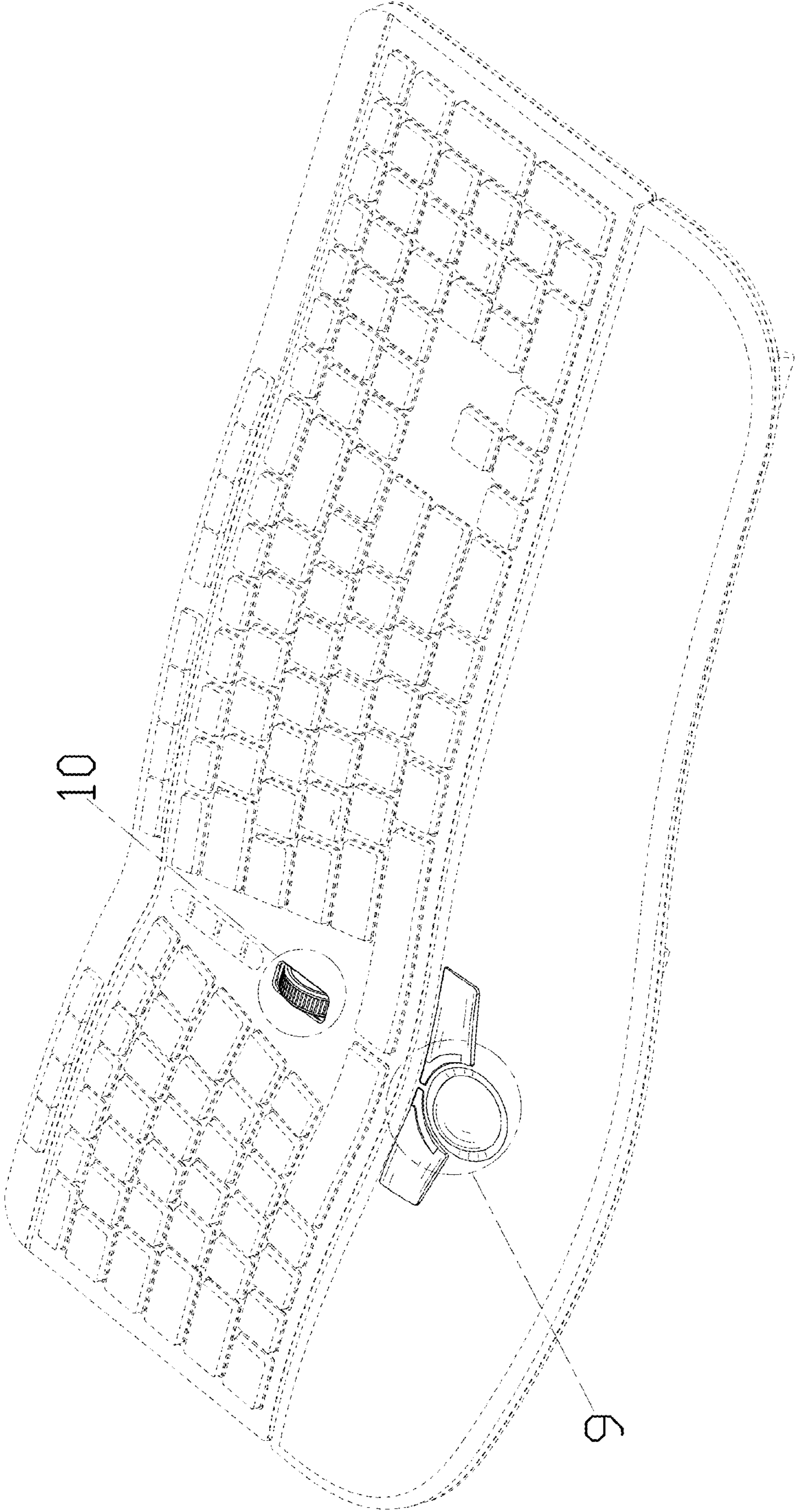


FIG. 1

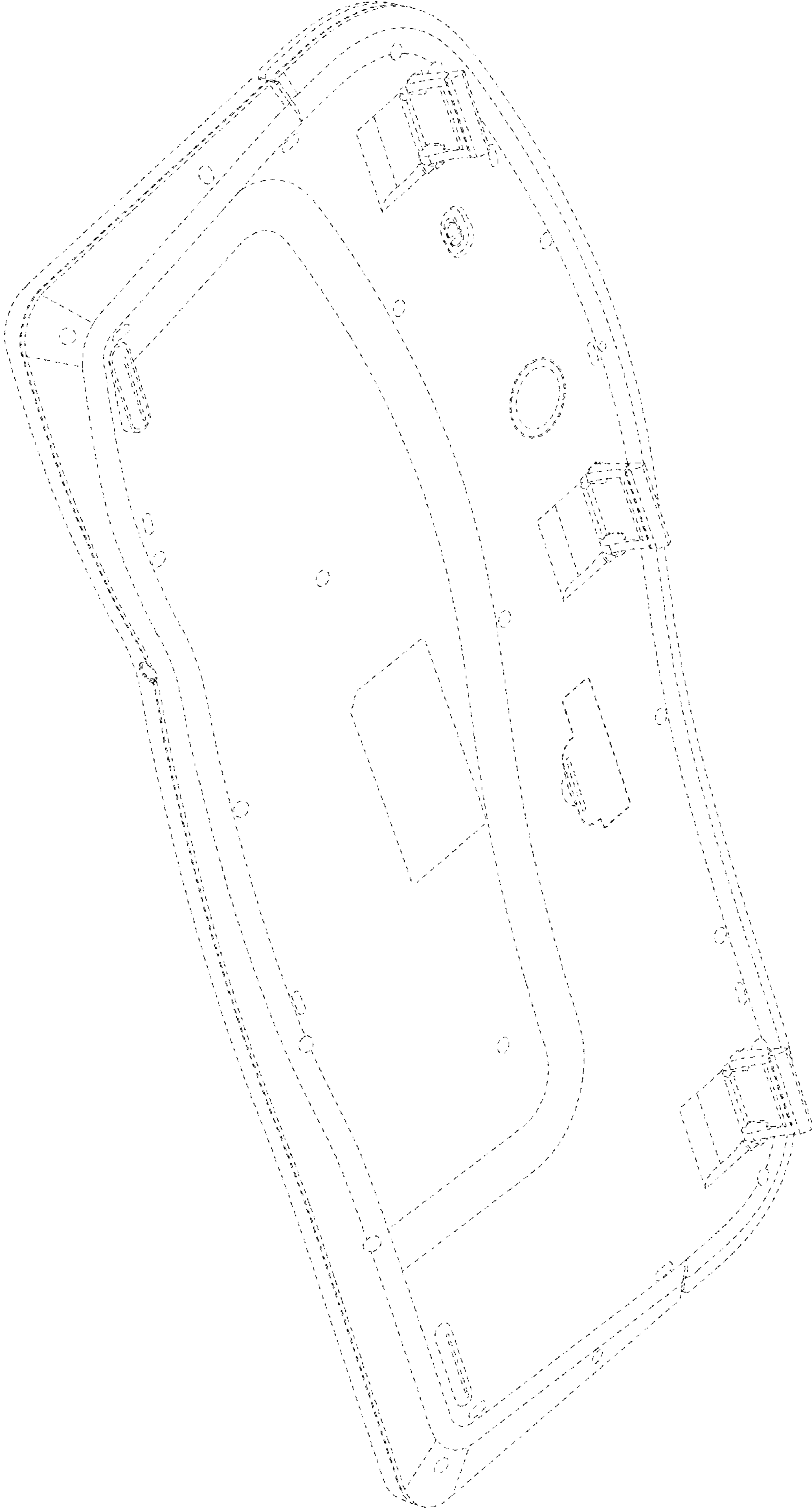


FIG. 2

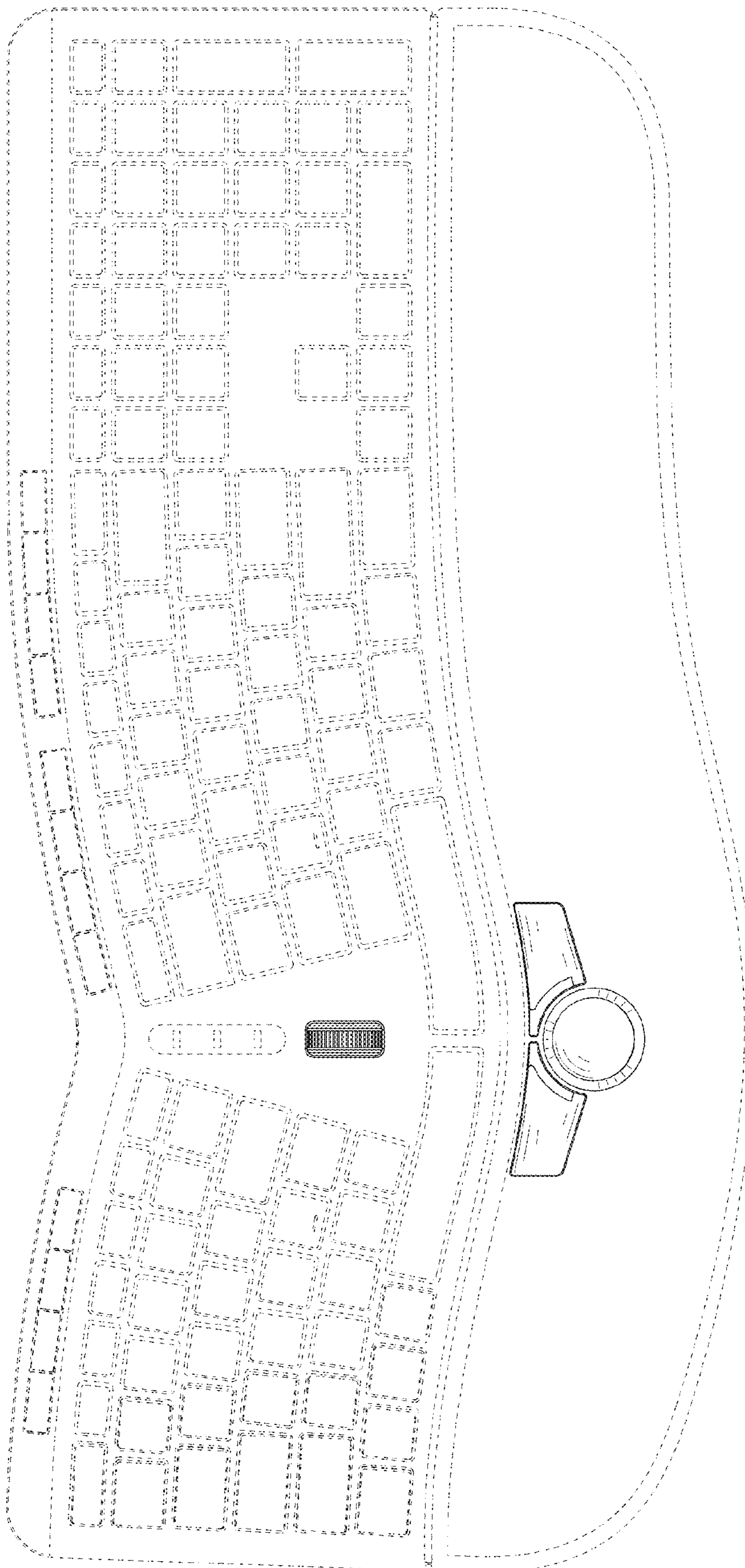


FIG. 3

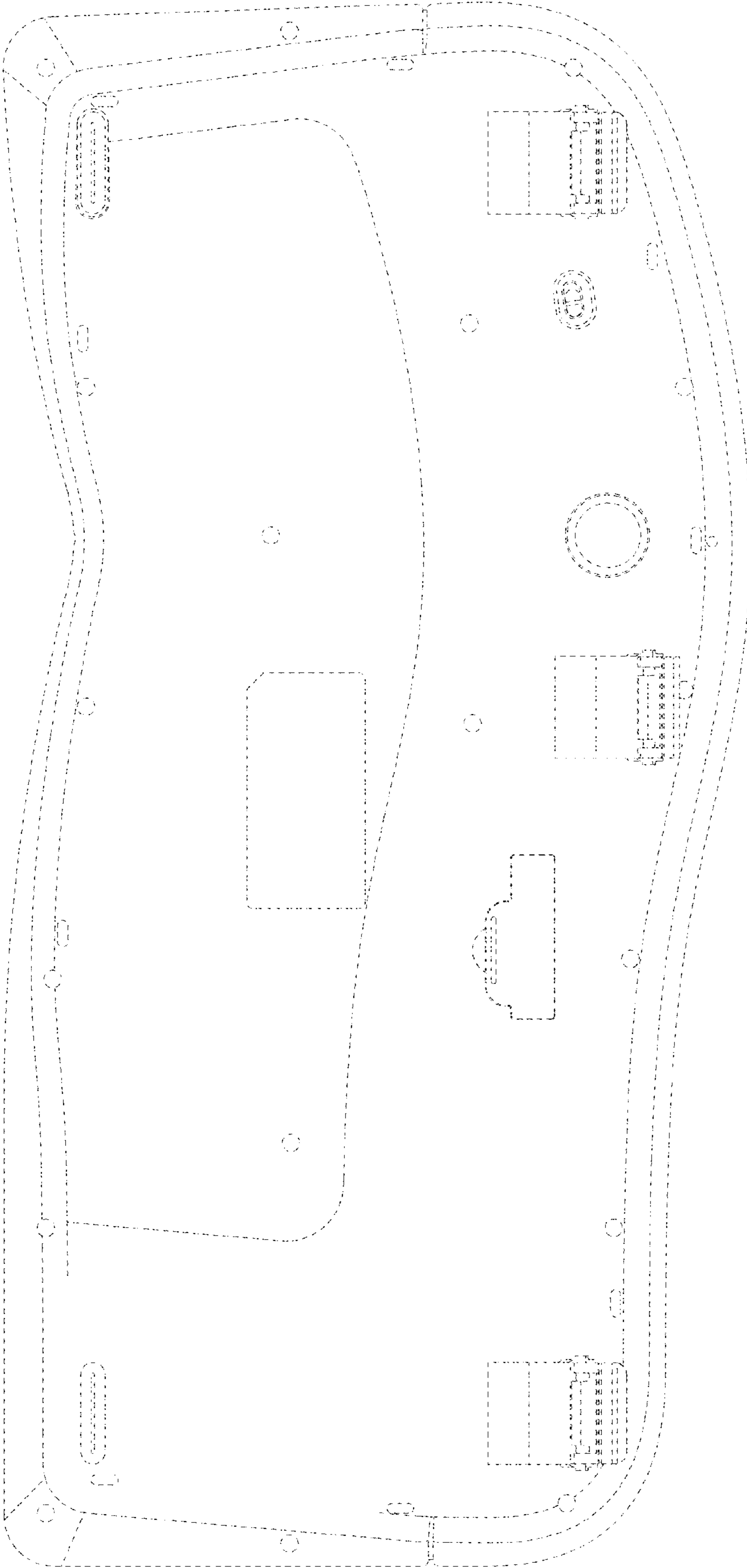


FIG. 4

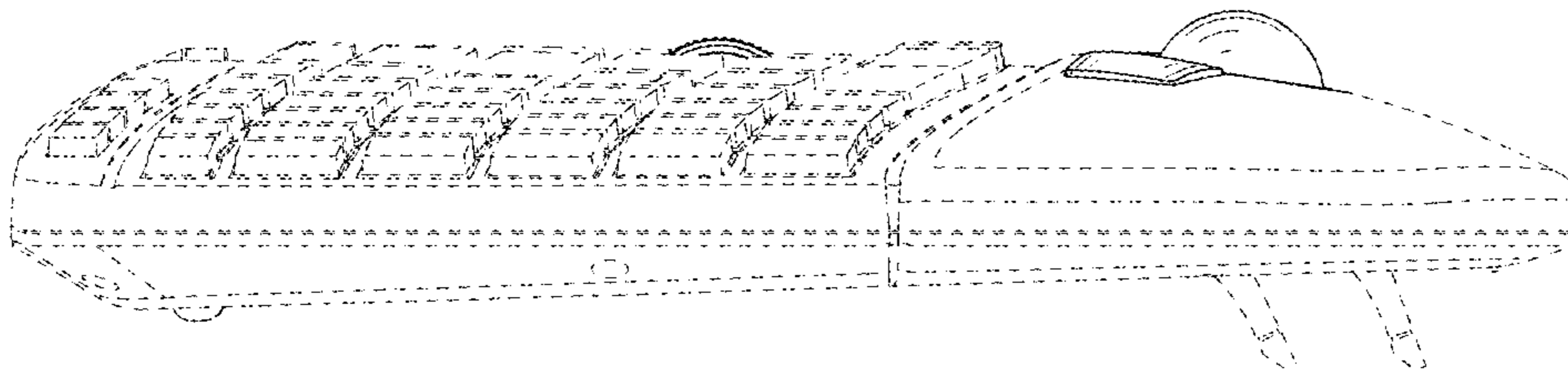


FIG. 5

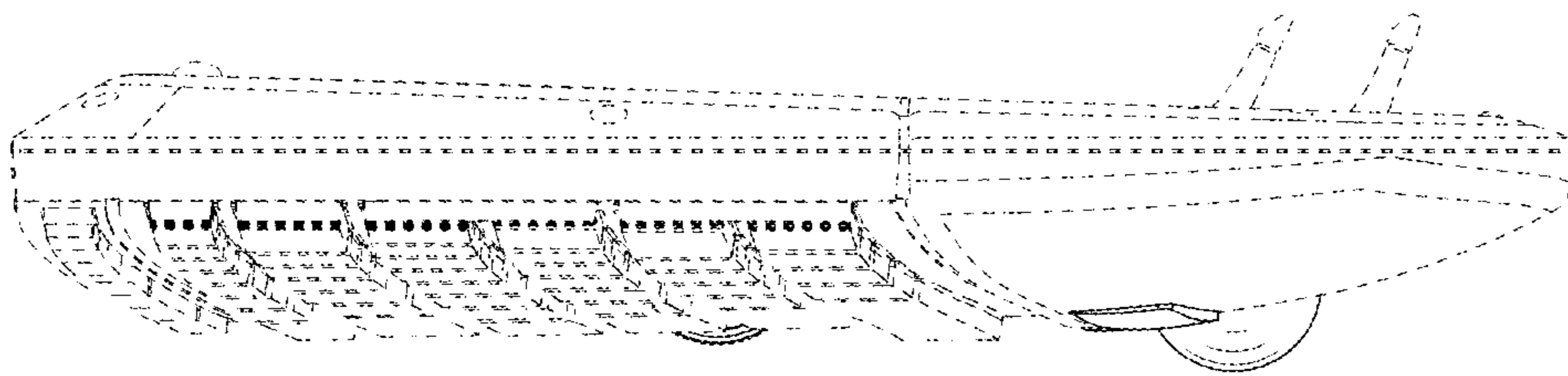


FIG. 6

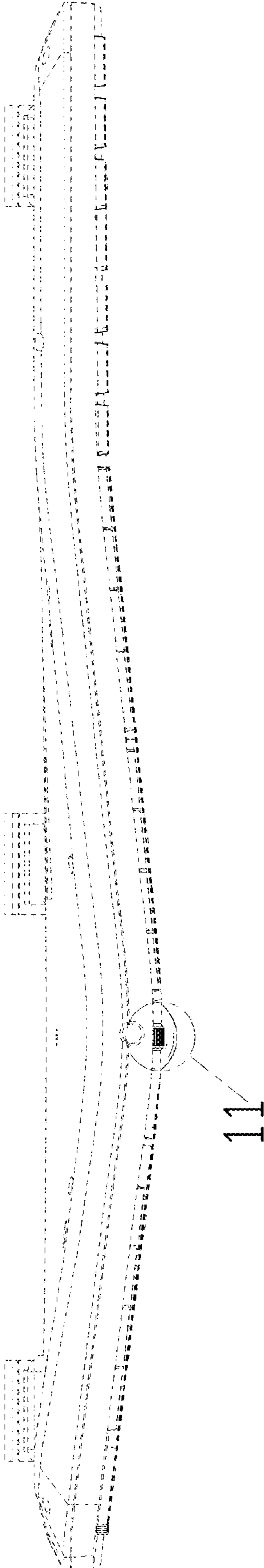


FIG. 7

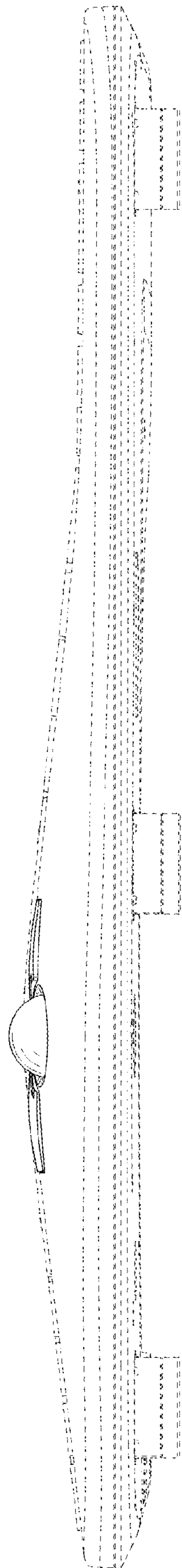


FIG. 8

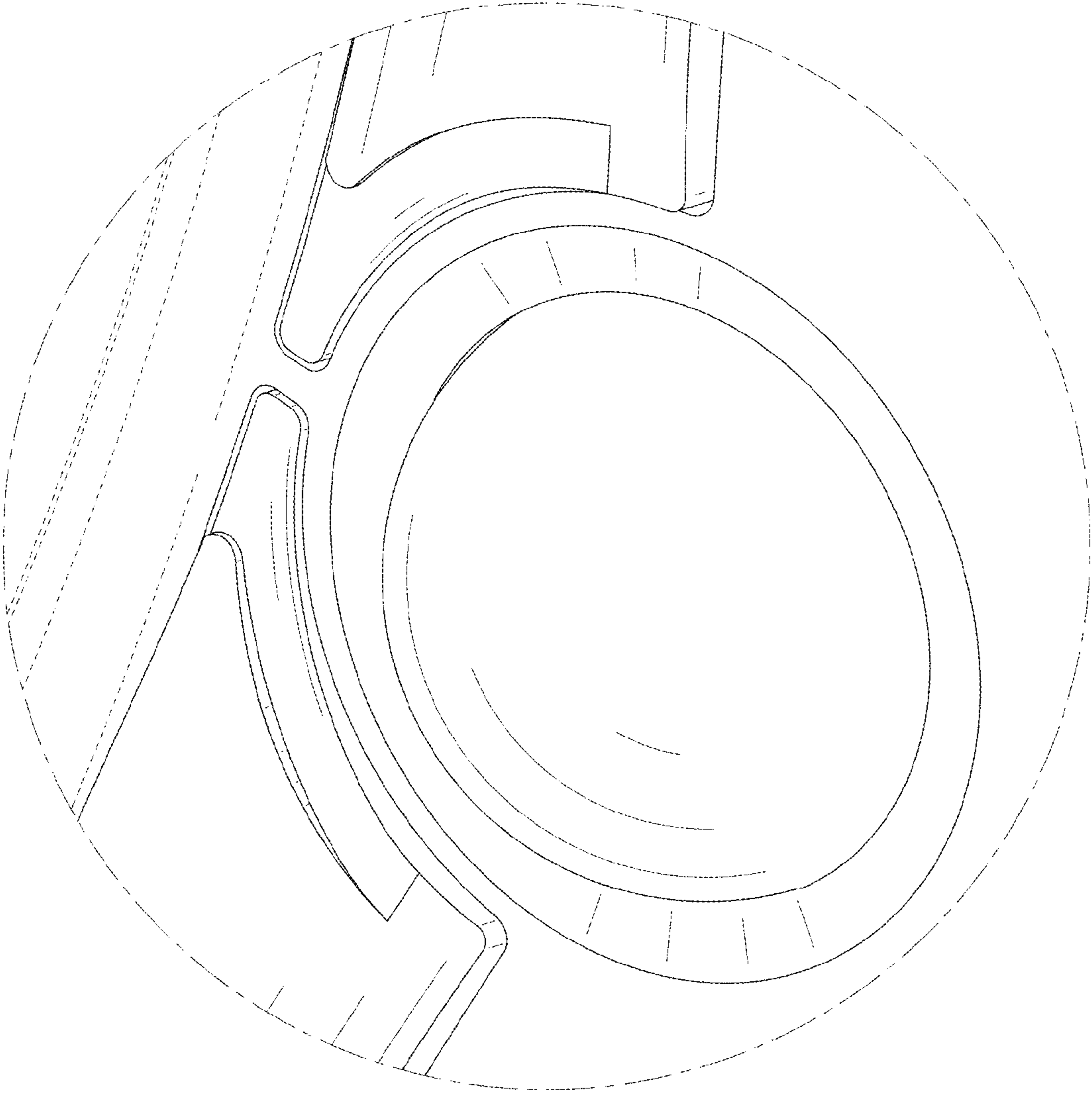


FIG. 9

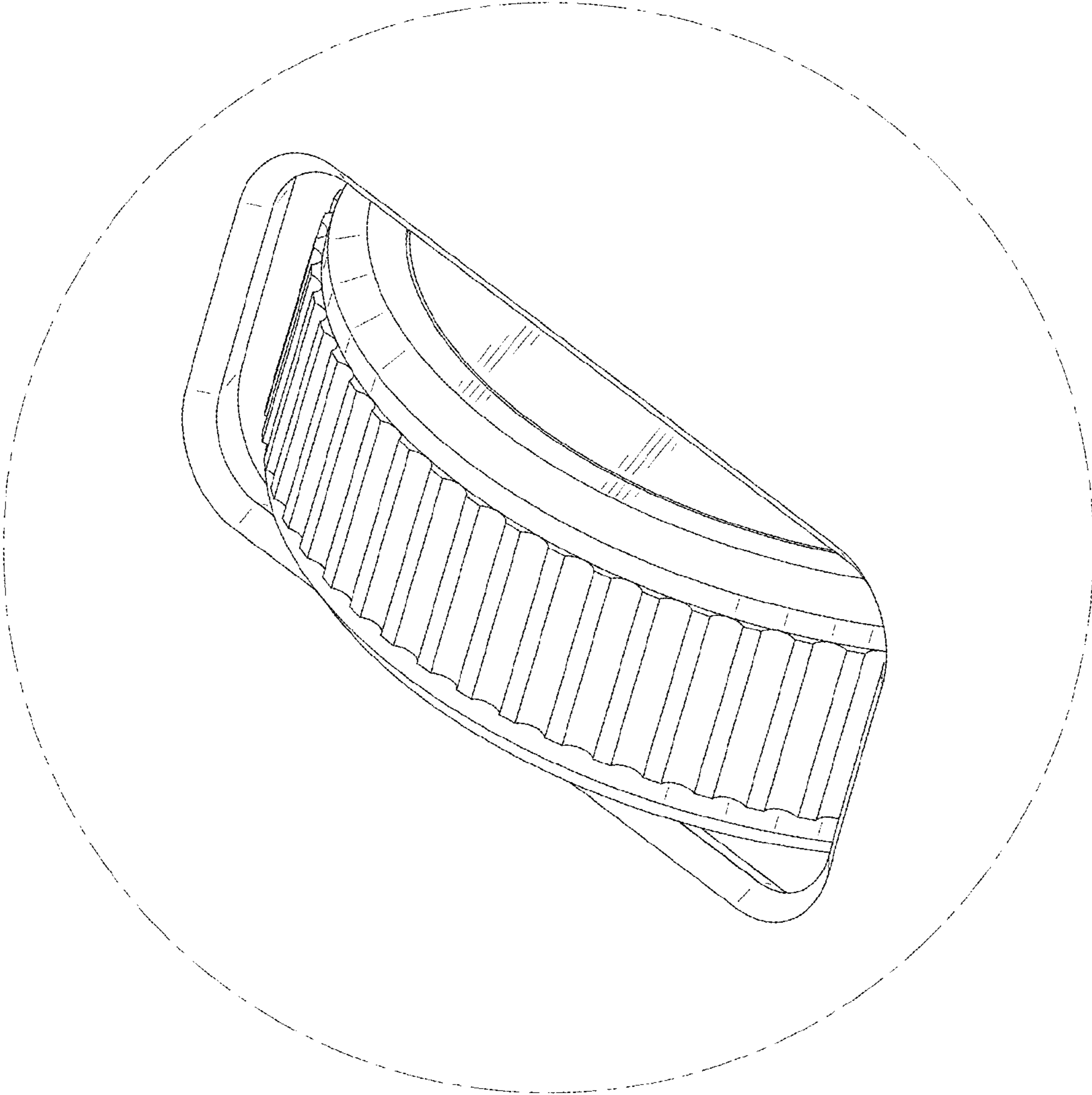


FIG. 10

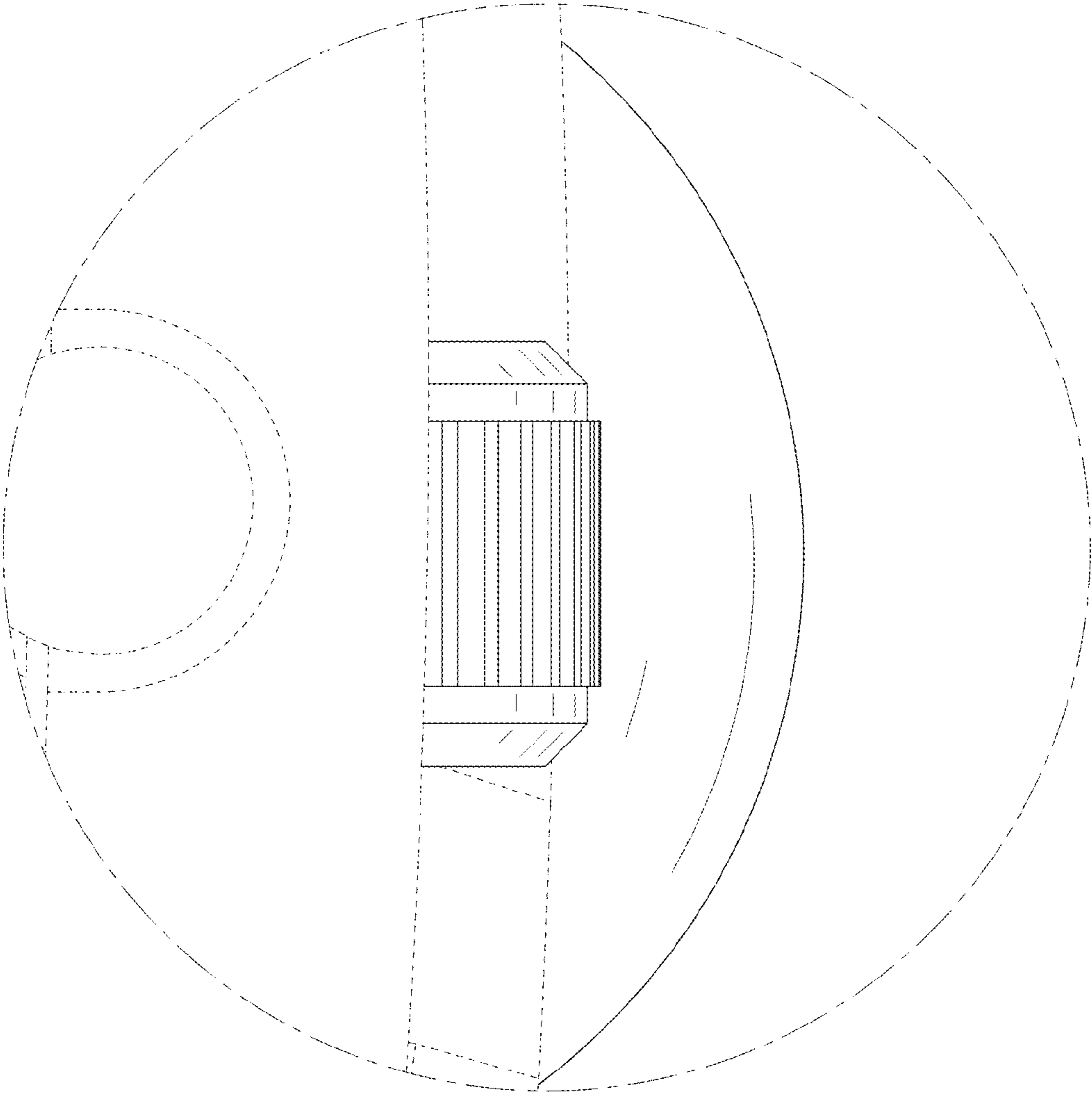


FIG. 11