



US00D952628S

(12) **United States Design Patent**  
**DiLoreto**

(10) **Patent No.:** **US D952,628 S**  
(45) **Date of Patent:** **\*\* May 24, 2022**

(54) **PORTABLE INFORMATION HANDLING SYSTEM**

(71) Applicant: **Dell Products L.P.**, Round Rock, TX (US)

(72) Inventor: **Nicholas G. DiLoreto**, Georgetown, TX (US)

(73) Assignee: **Dell Products L.P.**, Round Rock, TX (US)

(\*\*) Term: **15 Years**

(21) Appl. No.: **29/712,385**

(22) Filed: **Nov. 7, 2019**

(51) **LOC (13) Cl.** ..... **14-02**

(52) **U.S. Cl.**  
USPC ..... **D14/327**

(58) **Field of Classification Search**  
USPC ..... D14/315–328, 432, 447; D18/1, 4.3, 7, D18/12.2–12.3  
CPC ..... G06F 1/166; G06F 1/1613; G06F 1/1616; G06F 1/1618; G06F 1/162; G06F 1/1622; G06F 1/1624; G06F 1/1628; G06F 1/1633; G06F 1/1615; G06F 1/1643; G06F 1/1654; G06F 1/1669; G06F 1/203; G06F 1/1688

See application file for complete search history.

(56) **References Cited**

U.S. PATENT DOCUMENTS

D461,470 S	8/2002	Kawa	
D602,484 S	10/2009	Cai	
D614,180 S	4/2010	Gou	
D664,536 S	7/2012	Lee et al.	
D671,936 S	12/2012	Fong et al.	
D683,344 S	5/2013	Kao et al.	
8,891,231 B2	11/2014	Okuley et al.	
D724,077 S *	3/2015	Hallar	D14/327

(Continued)

FOREIGN PATENT DOCUMENTS

WO	D201861-003	7/2019
WO	D203798-001	11/2019

OTHER PUBLICATIONS

Hayward, Andrew, Dell XPS 13 (9370) Review, posted at Lifewire, posting date Dec. 23, 2019. Site visited Oct. 22, 2021. URL: <<https://www.lifewire.com/dell-xps-13-9370-review-4779836>> (Year: 2019).\*

(Continued)

*Primary Examiner* — Kathleen L Jones

(74) *Attorney, Agent, or Firm* — Zagorin Cave LLP; Robert W. Holland

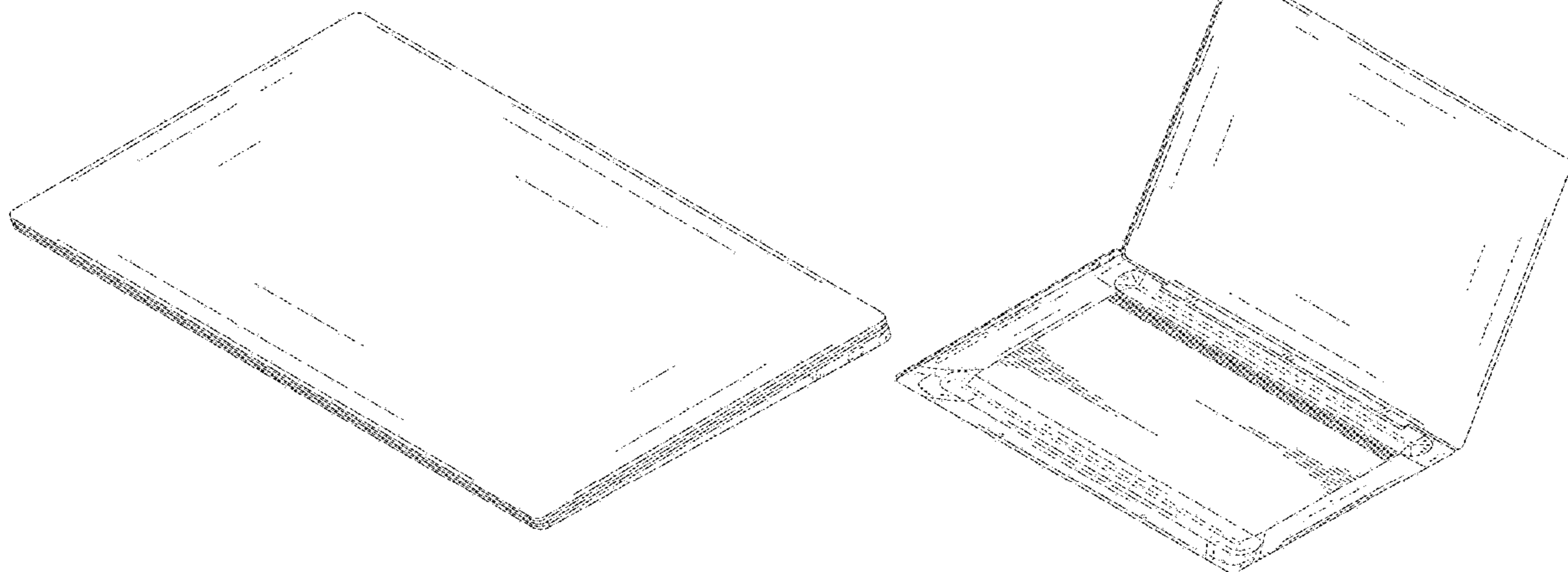
(57) **CLAIM**

I claim the ornamental design for a portable information handling system, as shown and described.

**DESCRIPTION**

FIG. 1 is a front perspective view of the portable information handling system comprising the present invention; FIG. 2 is a front elevation view thereof; FIG. 3 is a rear elevation view thereof; FIG. 4 is a right side view thereof; FIG. 5 is a left side view thereof; FIG. 6 is a top view thereof; FIG. 7 is a bottom view thereof; FIG. 8 is a front perspective view thereof in an open position; FIG. 9 is a rear bottom perspective view thereof in an open position; and, FIG. 10 is a rear bottom perspective view thereof in a closed position. Broken lines shown in the drawings illustrate portions of the portable information handling system, and form no part of the claimed design.

**1 Claim, 8 Drawing Sheets**



(56)

References Cited

U.S. PATENT DOCUMENTS

D725,648 S 3/2015 Chang et al.  
 D743,958 S 11/2015 Goh et al.  
 D746,809 S 1/2016 Takada et al.  
 D756,350 S 5/2016 Sun et al.  
 D756,351 S 5/2016 Sun et al.  
 D758,360 S \* 6/2016 Lyles ..... D14/315  
 D762,638 S 8/2016 Chang et al.  
 D770,442 S \* 11/2016 Tu ..... D14/315  
 D781,282 S 3/2017 Hsu et al.  
 D789,353 S 6/2017 Sakatsume  
 D802,584 S 11/2017 Kong  
 D813,859 S 3/2018 Oakley  
 D813,861 S 3/2018 Goh et al.  
 D829,710 S 10/2018 Seoc et al.  
 D835,095 S 12/2018 Goh et al.  
 D864,948 S 10/2019 Yoshida et al.  
 10,429,885 B1 \* 10/2019 Shaw ..... G06F 1/1618  
 D865,756 S 11/2019 Moon  
 D871,393 S 12/2019 Moon  
 D880,473 S 4/2020 Moon  
 D890,167 S 7/2020 Moon  
 D890,747 S \* 7/2020 Lee ..... D14/315  
 10,705,564 B2 7/2020 Abe  
 D895,609 S 9/2020 Berry et al.  
 10,809,763 B2 10/2020 Abe  
 D904,395 S 12/2020 Reed et al.  
 D912,661 S \* 3/2021 Goh ..... D14/315  
 D914,669 S \* 3/2021 Lim ..... D14/315  
 D915,396 S 4/2021 Sheu et al.  
 D917,461 S 4/2021 DiLoreto et al.  
 D928,143 S \* 8/2021 Yeom ..... D14/315  
 D931,274 S \* 9/2021 Hwang ..... D14/315  
 2016/0062484 A1 3/2016 Sugiura  
 2020/0174529 A1 6/2020 Goh et al.

OTHER PUBLICATIONS

Newman, Heather, Dell XPS, G Series and Alienware Reivews, posted at Forbes, posting date Sep. 1, 2019. Site visited Oct. 22,

2021. URL: <<https://www.forbes.com/sites/hnewman/2019/09/01/dell-xps-g-series-and-alienware-reviews-how-to-choose-among-dells-laptop-lines/?sh=1a007f01277f>> (Year: 2019).\*

Gough, Owen, The best laptops 2019: The greatest devices for every buyer, posted at Cosmopolitan, posting date Oct. 18, 2019. Site visited Oct. 22, 2021. URL: <<https://www.cosmopolitan.com/uk/entertainment/g29510140/best-laptops-deals/>> (Year: 2019).\*

Dell, "Inspiron15 Laptop," Dell, dell.com, author unlisted, published on May 9, 2021 per wayback machine © 2021 Dell, online, site visited Jun. 8, 2021. Available from Internet, URL: <https://www.dell.com/en-us/shop/dell-laptops/inspiron-15-laptop-spd/inspiron-15-5502-laptop> (Year: 2021).

Vane, Michael, "ASUS ZenBook 14 UX431F Review: An Impressively Slim All-Rounder," Manofmany, URL: <https://manofmany.com/tech/computers/asus-zenbook-14-ux431f-review-an-impressively-slim-all-rounder>, Jul. 29, 2019, 10 pages.

Brant, Tom, "Hands On: Samsung's Galaxy Book Ion, the First QLED-Screen Laptop," <https://medium.com/pcmag-access/hands-on-samsungs-galaxy-book-ion-the-first-qled-screen-aptop-4b5fbd28ed60>, Oct. 30, 2019, 16 pages.

USPTO Form 892 from related U.S. Appl. No. 29/723,514, mailed with NOA on Jun. 23, 2021 (2 pages).

Warren, T., "Asus beats Acer to the 'world's lightest 14-inch laptop' crown," The Verge, Sep. 4, 2019, 3 pages.

Amazon, "AUSU TUF Gaming F17 Gaming Laptop," first available Mar. 21, 2021, amazon.com, [online], [site visited 026/16/2021], Available from internet URL: [https://www.amazon.com/ASUS-IPS-Type-i5-10300H-KeyBoard-FX706LI-ES53/dp/B08ZLC661T/ref=sr\\_1\\_10?dchild=1&keywords=laptop&qid=16238%E2%80%A6](https://www.amazon.com/ASUS-IPS-Type-i5-10300H-KeyBoard-FX706LI-ES53/dp/B08ZLC661T/ref=sr_1_10?dchild=1&keywords=laptop&qid=16238%E2%80%A6) (Year:2021) 9 pages.

Dell, "New Inspiron 15 Touch Laptop," dell.com, [online], [site visited Feb. 6, 2021], Available from internet URL:<https://deals.dell.com/en-us/productdetail/988x> (Year: 2021) 16 pages.

\* cited by examiner

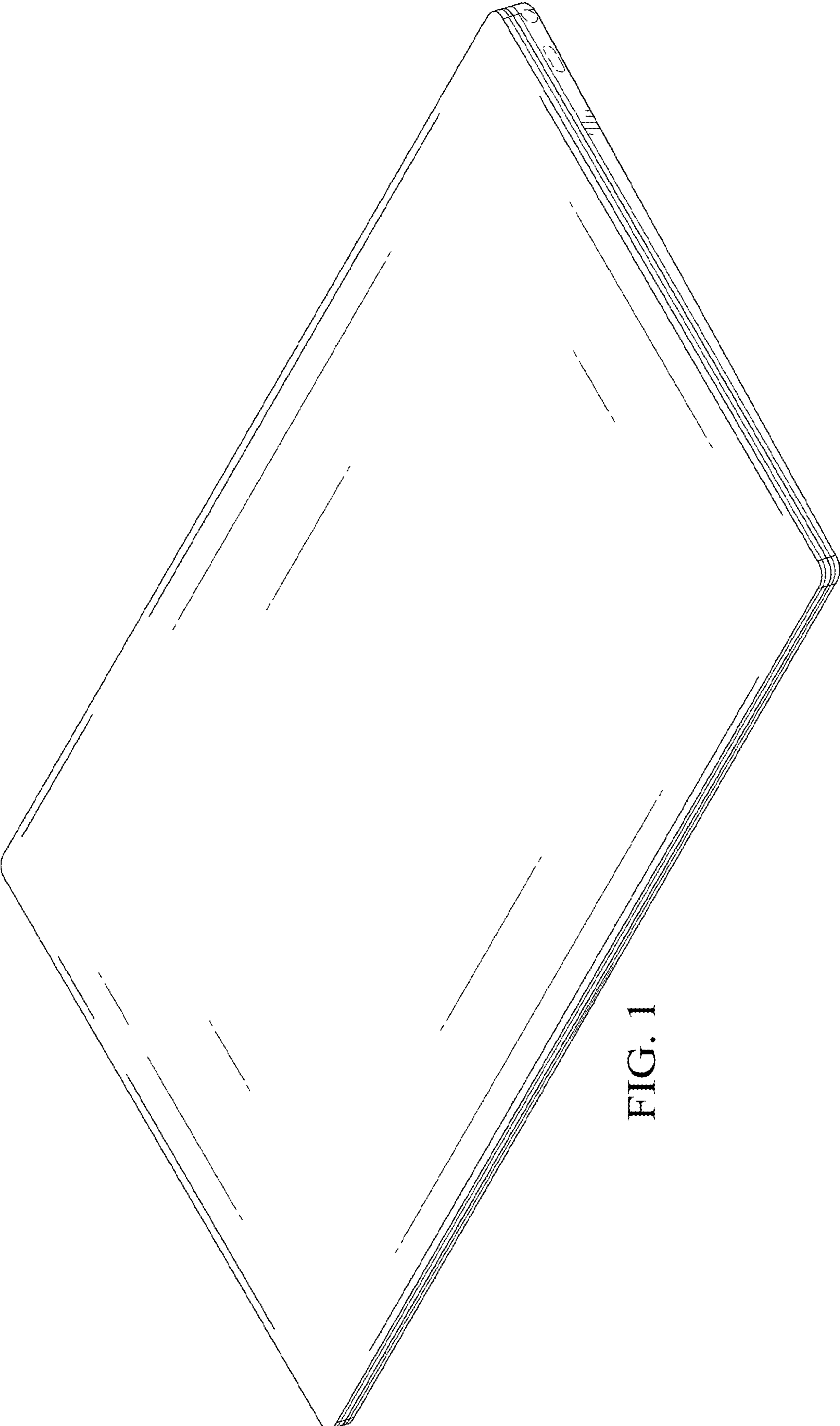


FIG. 1

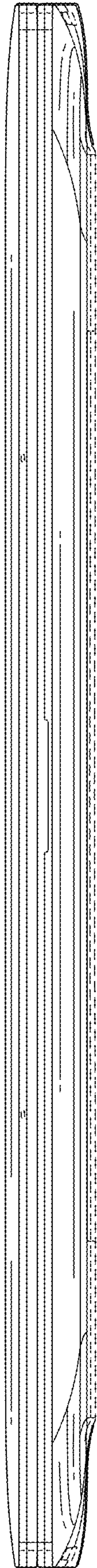


FIG. 2

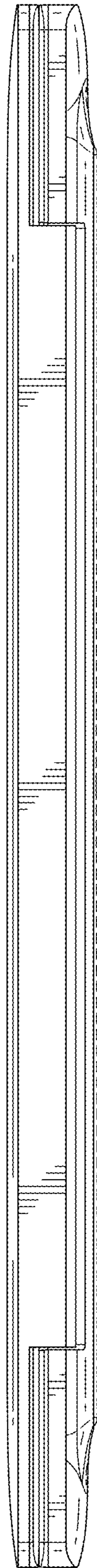


FIG. 3

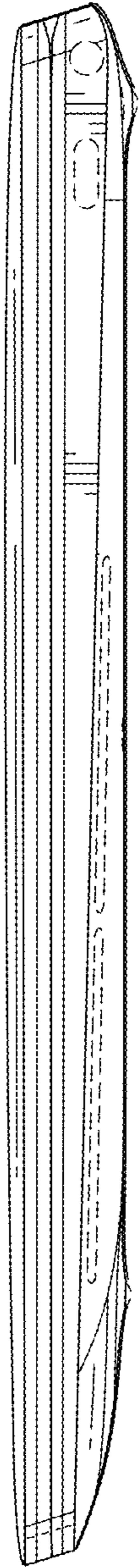


FIG. 4

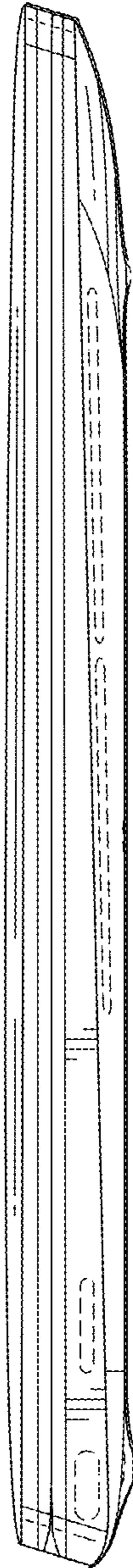


FIG. 5

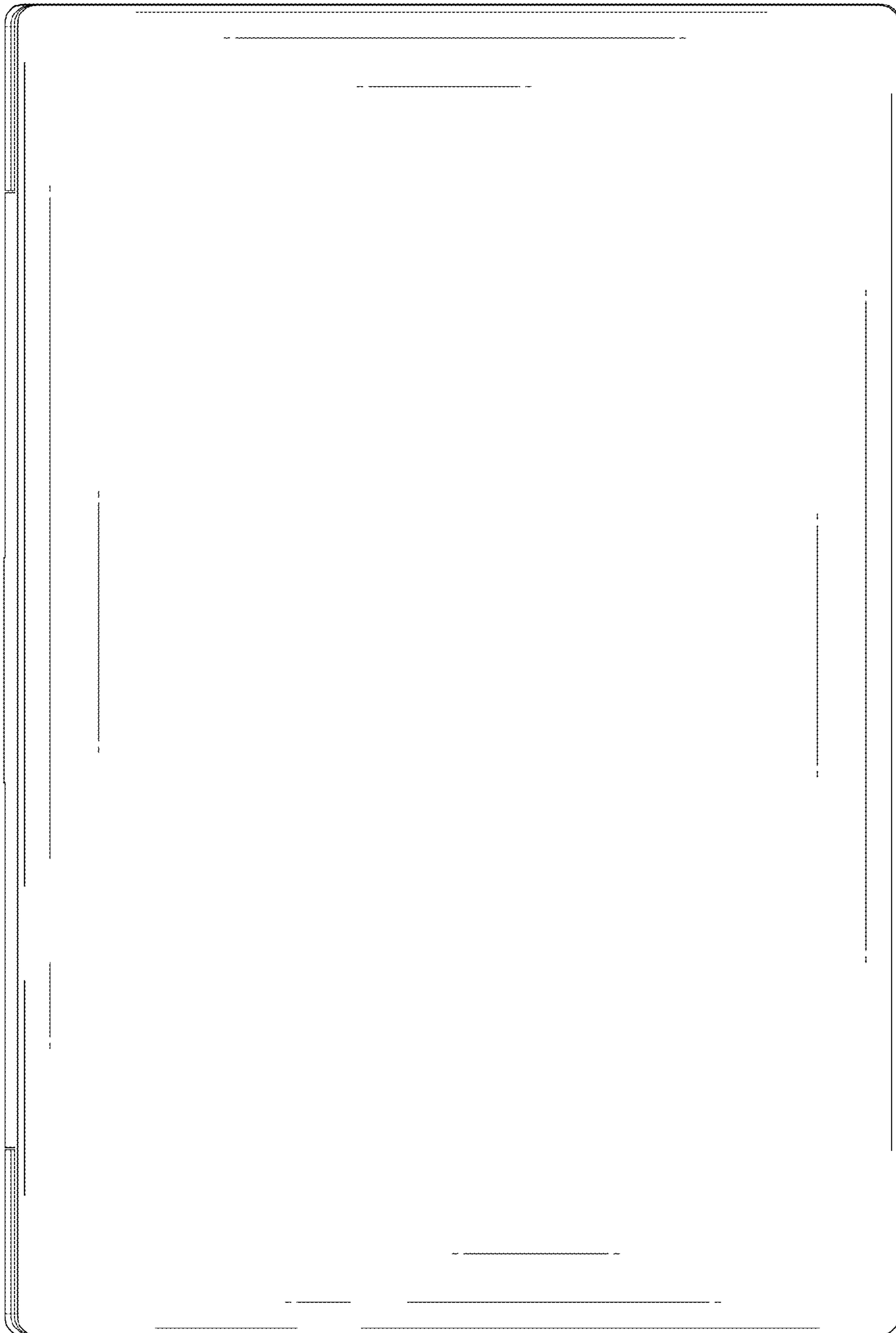


FIG. 6

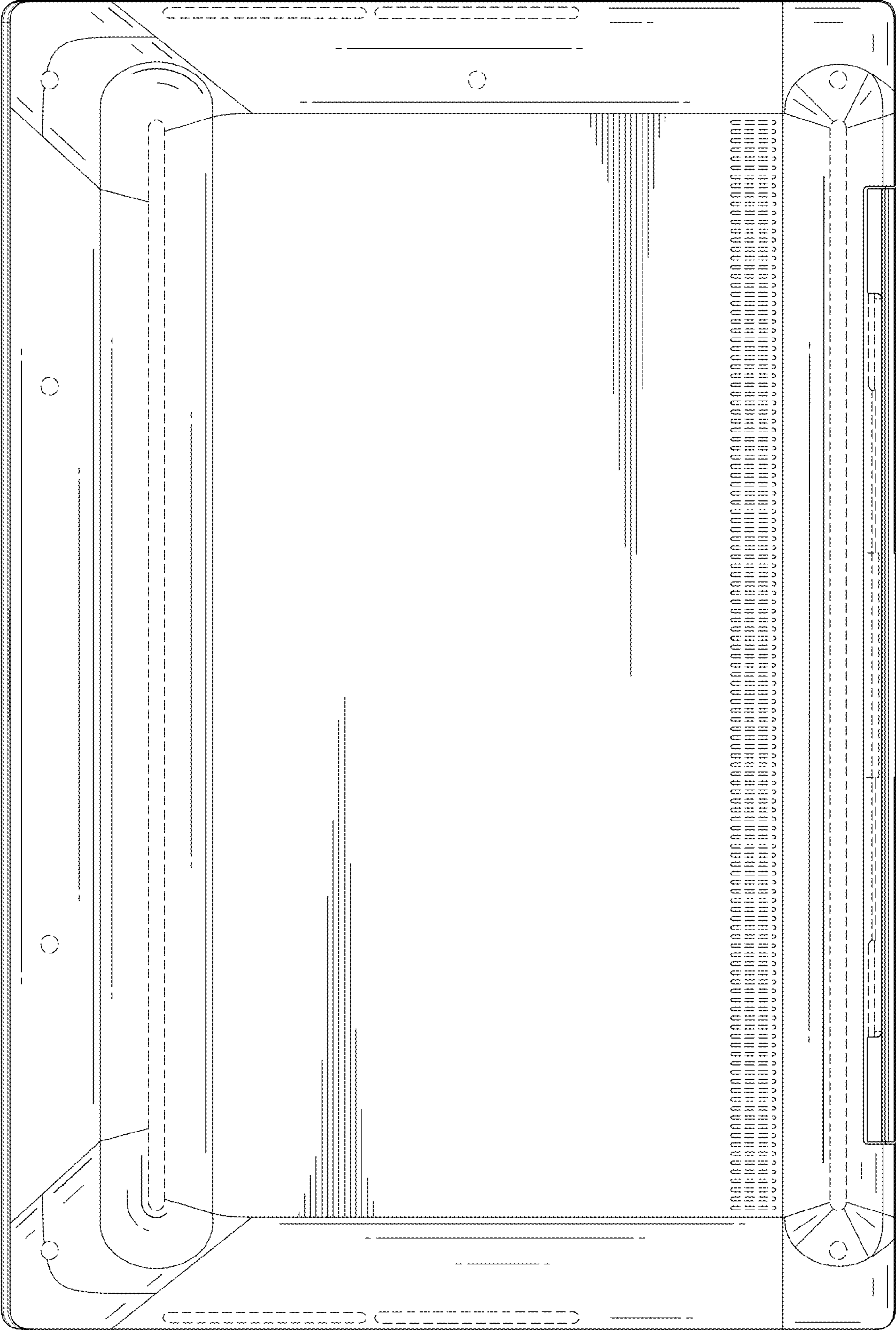


FIG. 7

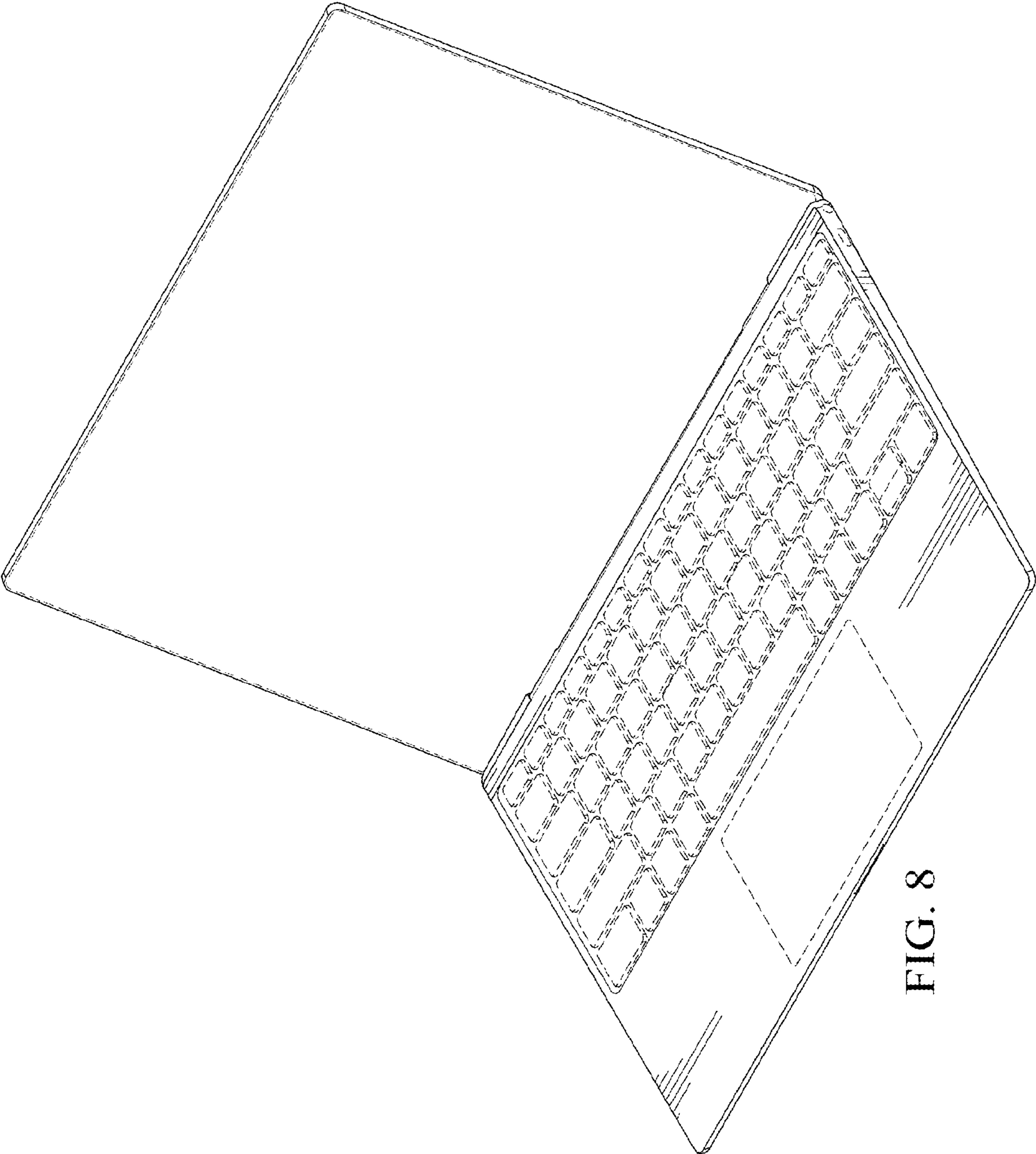


FIG. 8



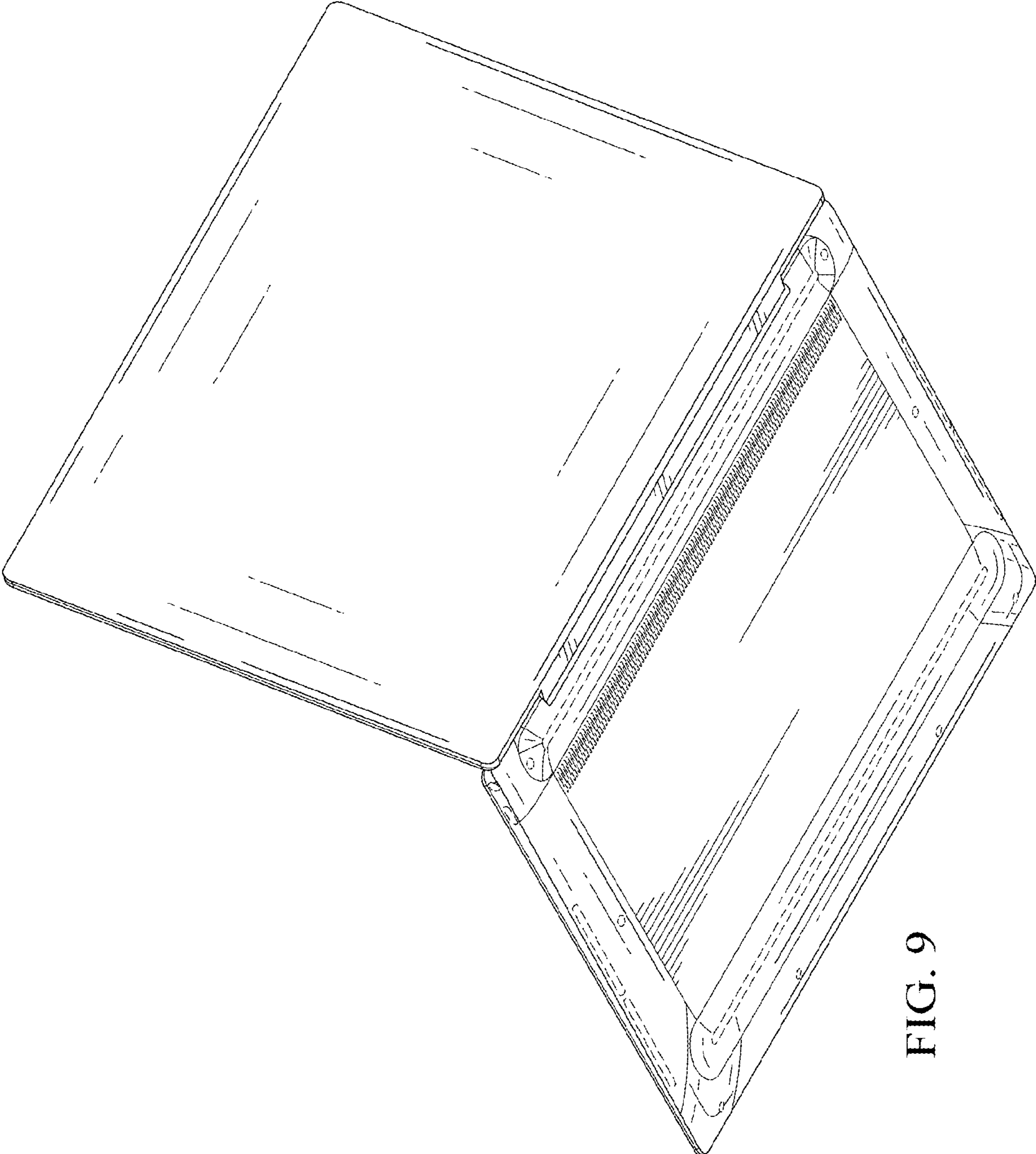


FIG. 9

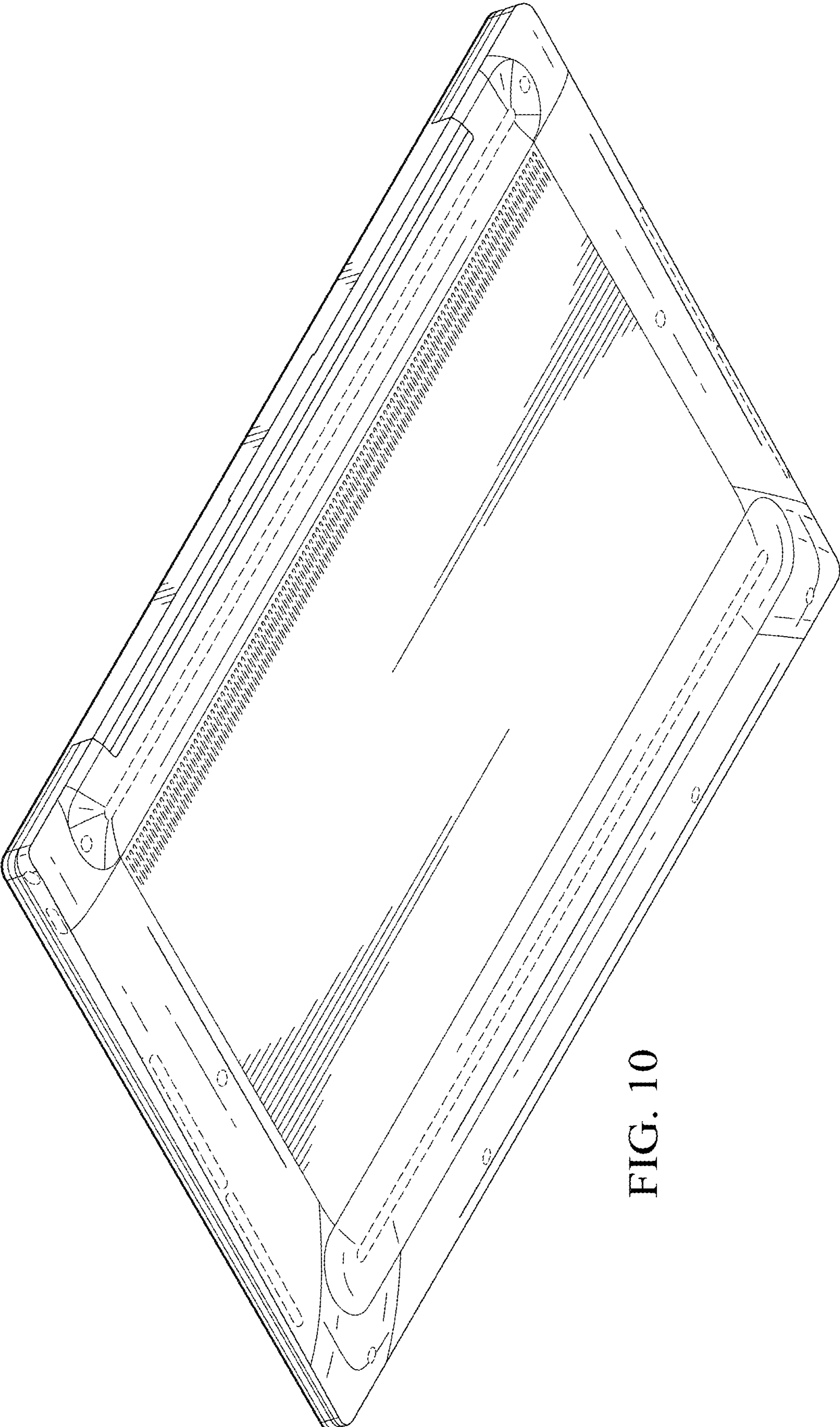


FIG. 10