

US00D952627S

(12) **United States Design Patent** (10) **Patent No.:** **US D952,627 S**  
**Hansen** (45) **Date of Patent:** **\*\* May 24, 2022**

- (54) **DISPLAY TERMINAL**
- (71) Applicant: **Pyramid Computer GmbH**, Freiburg (DE)
- (72) Inventor: **Friedrich Hansen**, Freiburg (DE)
- (73) Assignee: **Pyramid Computer GmbH**, Freiburg (DE)
- (\*\*) Term: **15 Years**
- (21) Appl. No.: **29/755,385**
- (22) Filed: **Oct. 20, 2020**

- D783,596 S \* 4/2017 Payne ..... D14/307
- D800,715 S \* 10/2017 Kane ..... D14/307
- D801,327 S \* 10/2017 Fergusson ..... D14/307
- D801,328 S \* 10/2017 Fergusson ..... D14/307
- D816,077 S 4/2018 Benic
- D831,639 S 10/2018 Terry
- D833,427 S 11/2018 Hansen
- D836,625 S \* 12/2018 Szeredi ..... D14/307
- D850,438 S \* 6/2019 Koenigsknecht ..... D14/307
- D861,778 S 10/2019 Day
- D870,721 S 12/2019 Vasic
- D884,693 S \* 5/2020 Mangeot ..... D14/307
- D884,694 S \* 5/2020 Mangeot ..... D14/307
- D894,894 S \* 9/2020 Corre ..... D14/307
- D896,806 S \* 9/2020 Zheng ..... D14/307
- D902,919 S \* 11/2020 Carmona ..... D14/307
- D903,654 S \* 12/2020 Hansen ..... D14/307

**Related U.S. Application Data**

- (62) Division of application No. 29/679,238, filed on Feb. 4, 2019, now Pat. No. Des. 903,654.
- (51) **LOC (13) Cl.** ..... **14-02**
- (52) **U.S. Cl.**  
USPC ..... **D14/307**
- (58) **Field of Classification Search**  
USPC ..... D14/302-307, 900-902; D13/163;  
D20/10; D21/332, 325, 369, 370;  
D99/28; D6/397, 466; 194/206;  
361/679.01, 679.02, 679.04, 679.21,  
361/679.57, 725  
CPC ..... G06Q 20/18; G06Q 20/10; G06Q 20/123;  
G06Q 20/20; G06Q 30/02; G06Q 30/06;  
A47F 9/047  
See application file for complete search history.

\* cited by examiner

*Primary Examiner* — Austin Murphy  
(74) *Attorney, Agent, or Firm* — Volpe Koenig

(57) **CLAIM**

I claim the ornamental design for a display terminal, as shown and described.

**DESCRIPTION**

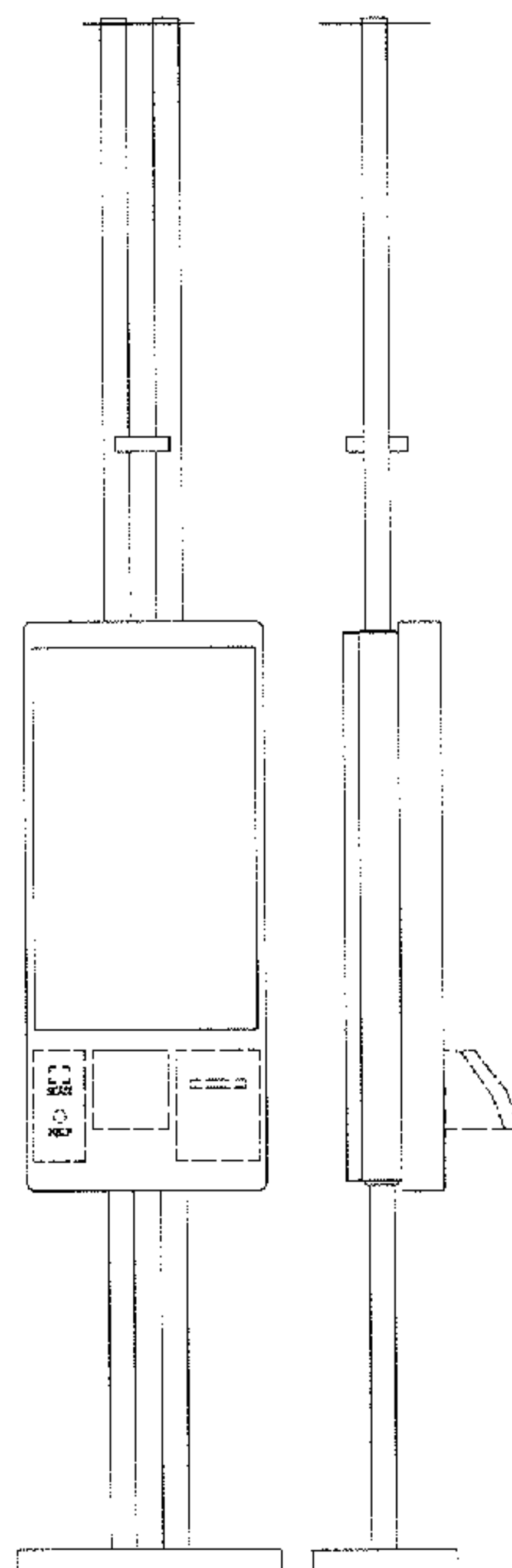
FIG. 1 is a top, front, left perspective view of a display terminal in accordance with a first embodiment of my design;  
FIG. 2 is a front elevational view thereof;  
FIG. 3 is a left side elevational view thereof, the right side elevational view being a mirror image thereof;  
FIG. 4 is a rear elevational view thereof; and,  
FIG. 5 is a top plan view thereof.  
The broken lines shown represent portions of the display terminal that form no part of the claimed design.

(56) **References Cited**

**U.S. PATENT DOCUMENTS**

- D781,279 S 3/2017 Horn, II
- D782,467 S \* 3/2017 Bladwell ..... D14/307

**1 Claim, 1 Drawing Sheet**



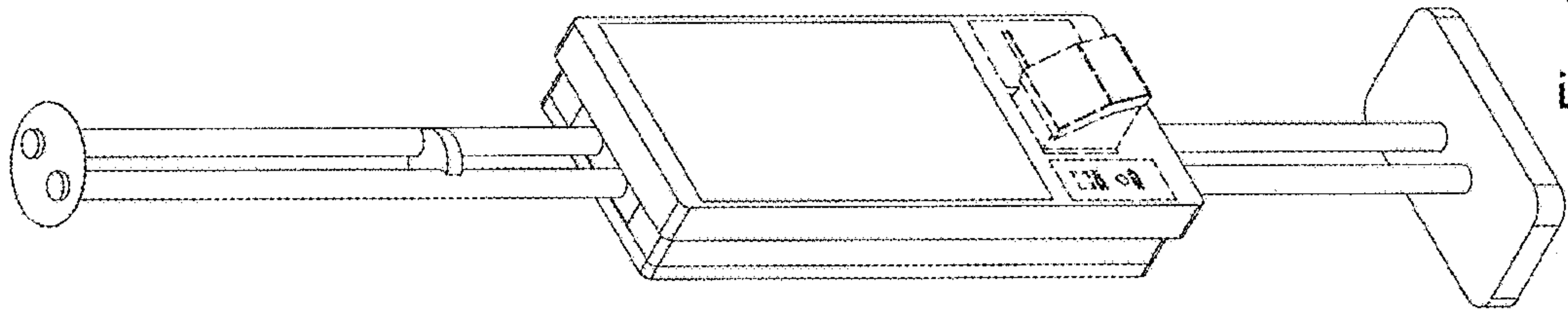


Fig. 1

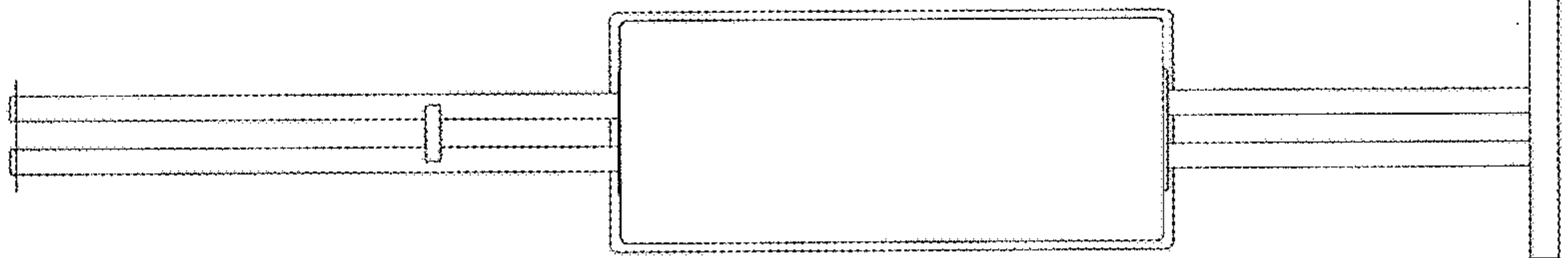


Fig. 4

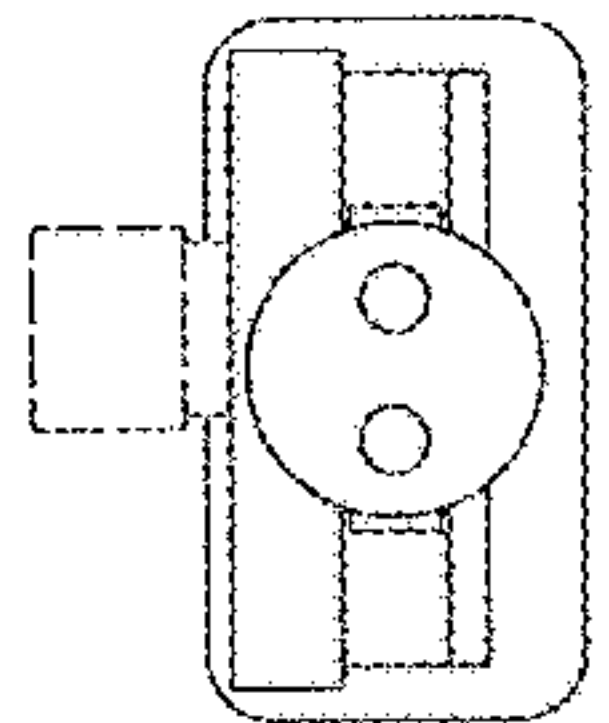


Fig. 5

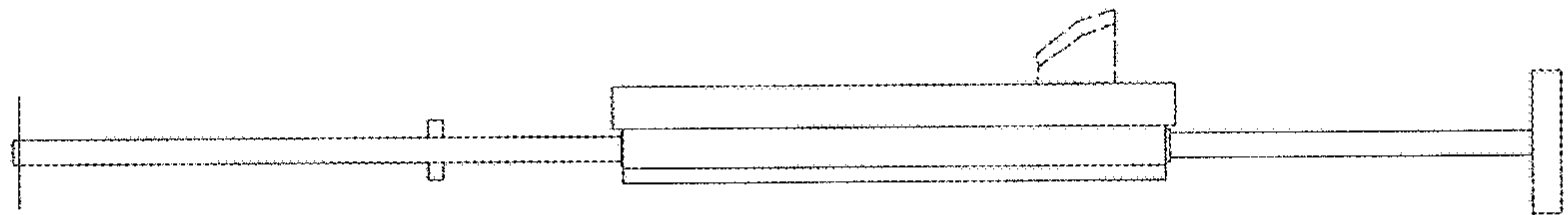


Fig. 3

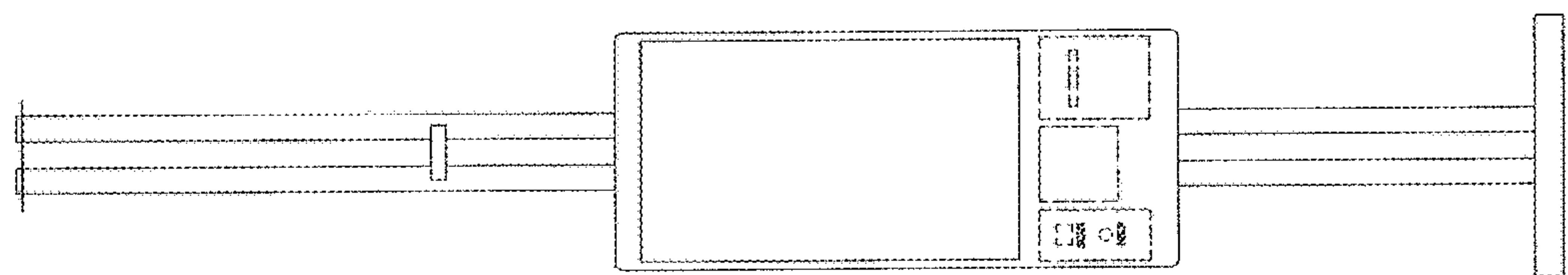


Fig. 2