



US00D952626S

(12) **United States Design Patent**
Gu

(10) **Patent No.:** **US D952,626 S**
(45) **Date of Patent:** **** May 24, 2022**

(54) **PHONE CASE**

(71) Applicant: **Liqing Gu**, Shanghai (CN)

(72) Inventor: **Liqing Gu**, Shanghai (CN)

(**) Term: **15 Years**

(21) Appl. No.: **29/821,351**

(22) Filed: **Dec. 29, 2021**

(51) **LOC (13) Cl.** **14-03**

(52) **U.S. Cl.**
USPC **D14/250**

(58) **Field of Classification Search**
USPC D14/203.3–203.7, 439, 251–253, 447,
D14/217, 240, 238.1, 440, 248, 250;
D13/103, 107–108, 119; D3/201, 218,
D3/247, 249, 269, 273, 301, 303
CPC H04B 1/3888; A45C 11/00; A45C 13/02;
A45C 2011/002; A45C 1/06; A45F
2200/0525; A45F 2005/026; A45F
2200/0516; H04M 1/0283; H04M 1/0202
See application file for complete search history.

(56) **References Cited**

U.S. PATENT DOCUMENTS

D674,393 S *	1/2013	Behar	D14/440
D687,026 S *	7/2013	Ruvolo	D14/250
D714,275 S *	9/2014	Tompkin	D14/250
D720,739 S *	1/2015	Liu	D14/250
D726,174 S *	4/2015	Wahlin	D14/250
D780,166 S *	2/2017	Lin	D14/250
D794,626 S *	8/2017	Armstrong	D14/250
D795,239 S *	8/2017	Batta	D14/250
D808,372 S *	1/2018	Brown	D14/250
D850,368 S *	6/2019	Paladino	D13/108
D853,402 S *	7/2019	Yang	D14/440
D862,446 S *	10/2019	Jia	D14/250
D863,284 S *	10/2019	Luo	D14/250
D863,286 S *	10/2019	Hong	D14/250
D868,052 S *	11/2019	Jia	D14/250

D868,053 S *	11/2019	Gao	D14/250
D868,789 S *	12/2019	Weng	D14/440
D894,165 S *	8/2020	Jahnz	D14/250
D898,016 S *	10/2020	Liang	D14/250
D904,414 S *	12/2020	Hyun	D14/440
D923,616 S *	6/2021	Xie	D14/250
D926,123 S *	7/2021	Zhu	D13/107
D933,643 S *	10/2021	Liao	D14/250
D934,226 S *	10/2021	Zhang	D14/250
D937,250 S *	11/2021	Jakobuco	D14/250
D941,282 S *	1/2022	Bai	D14/250

(Continued)

Primary Examiner — Carla J Wright

(74) *Attorney, Agent, or Firm* — Che-Yang Chen; Law Office of Michael Chen

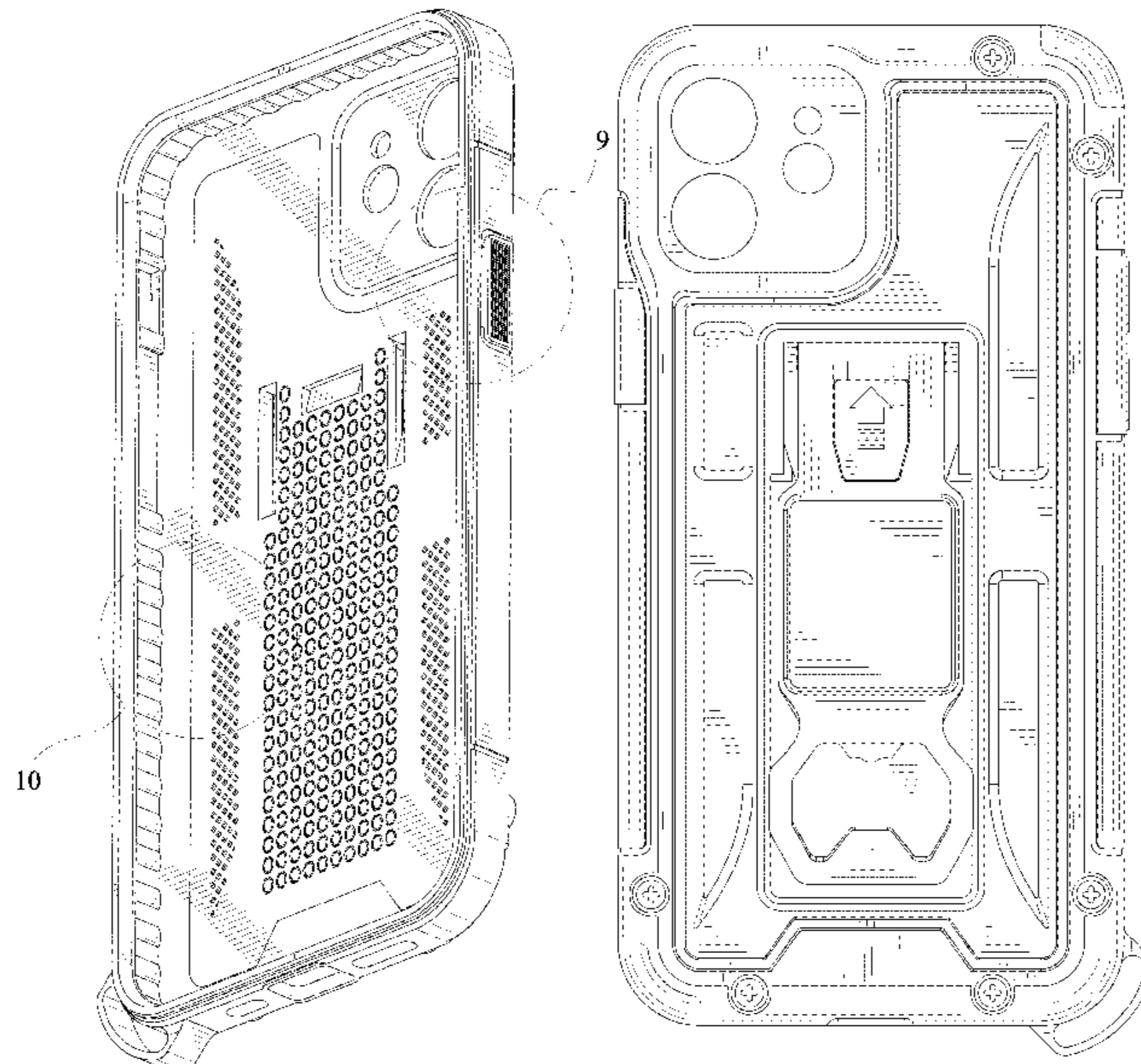
(57) **CLAIM**

The ornamental design for a phone case, as shown and described.

DESCRIPTION

FIG. 1 is a front, top, and right-side perspective view of a phone case showing my new design;
 FIG. 2 is a rear, left-side, and bottom perspective view thereof;
 FIG. 3 is a front elevational view thereof;
 FIG. 4 is a rear elevational view thereof;
 FIG. 5 is a left side elevational view thereof;
 FIG. 6 is a right side elevational view thereof;
 FIG. 7 is a top plan view thereof;
 FIG. 8 is a bottom plan view thereof;
 FIG. 9 is an enlarged view of a portion indicated with numeric 9 in FIG. 2; and,
 FIG. 10 is an enlarged view of a portion indicated with numeric 10 in FIG. 2.
 The dot-dash broken lines in FIGS. 2, 9, and 10 form no part of the claimed design and delineate portions of the claimed design that are shown on an enlarged scale in FIGS. 9 and 10.

1 Claim, 10 Drawing Sheets



(56)

References Cited

U.S. PATENT DOCUMENTS

2017/0303653 A1* 10/2017 Roberts A45C 11/00
2018/0098610 A1* 4/2018 Corraliza A45C 11/00
2021/0059370 A1* 3/2021 Del Toro H04M 1/04
2021/0126666 A1* 4/2021 Ng A45C 11/00
2021/0227960 A1* 7/2021 Carnevali A45F 5/10
2021/0298438 A1* 9/2021 Beeler A45C 11/00

* cited by examiner

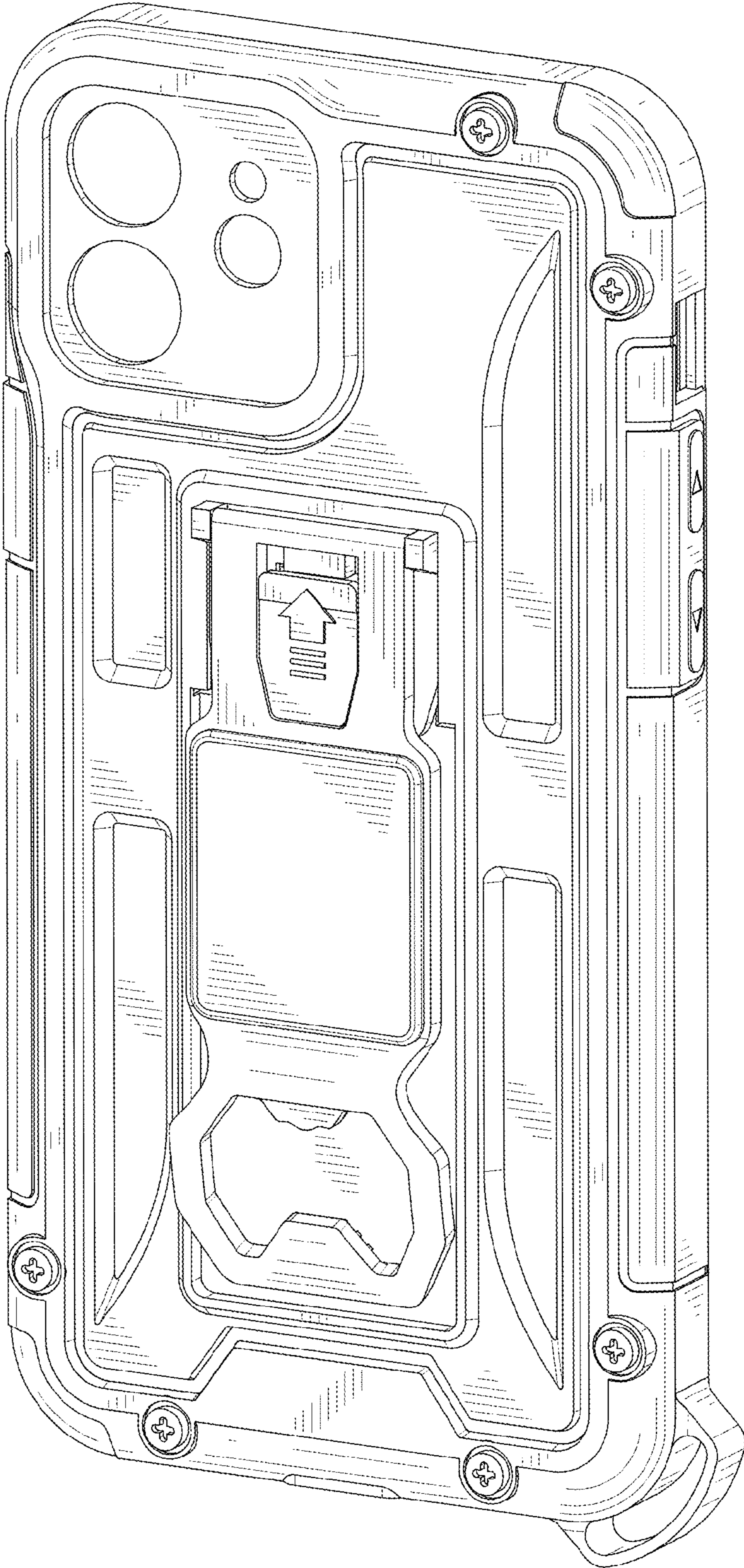


FIG. 1

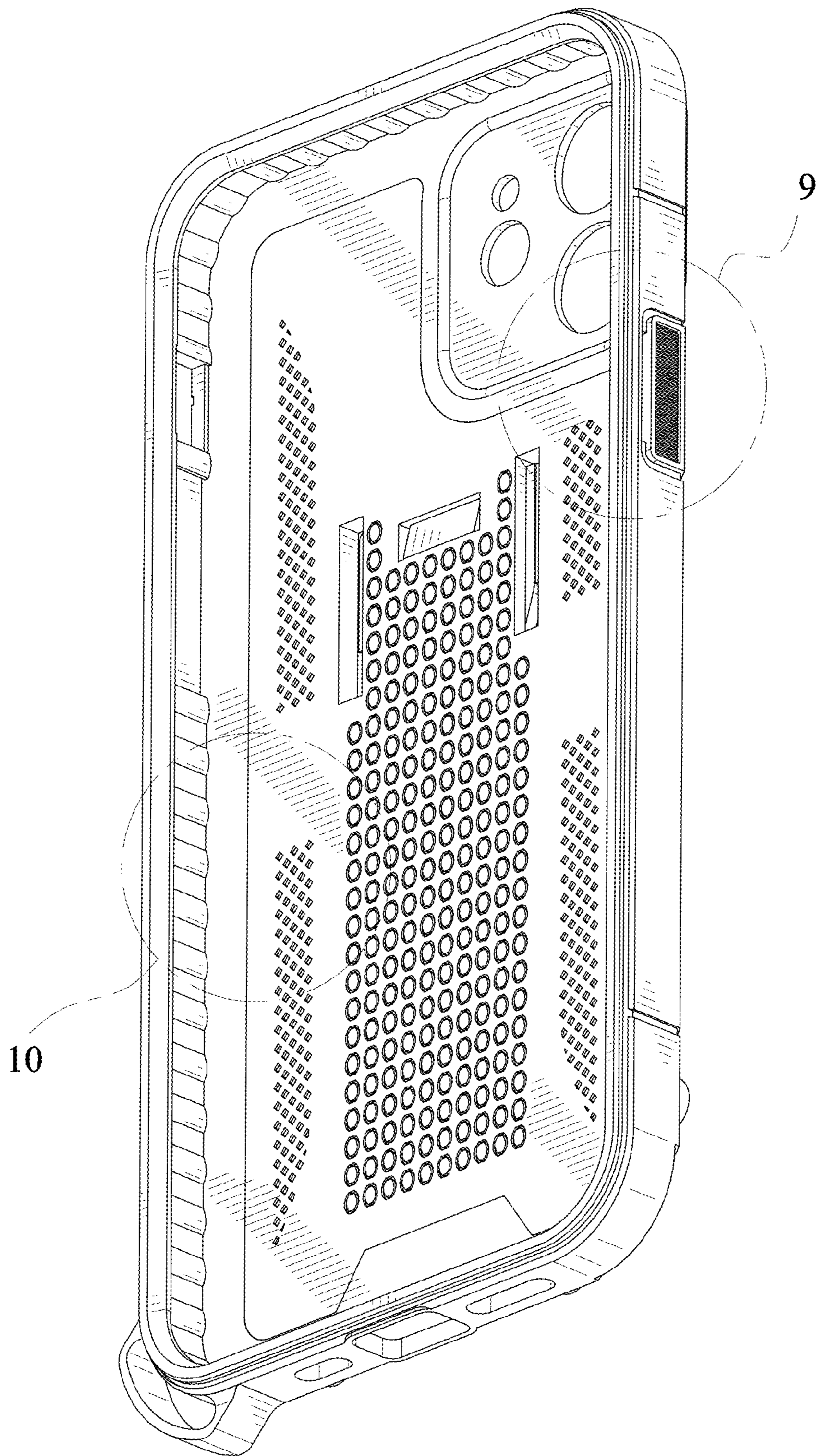


FIG. 2

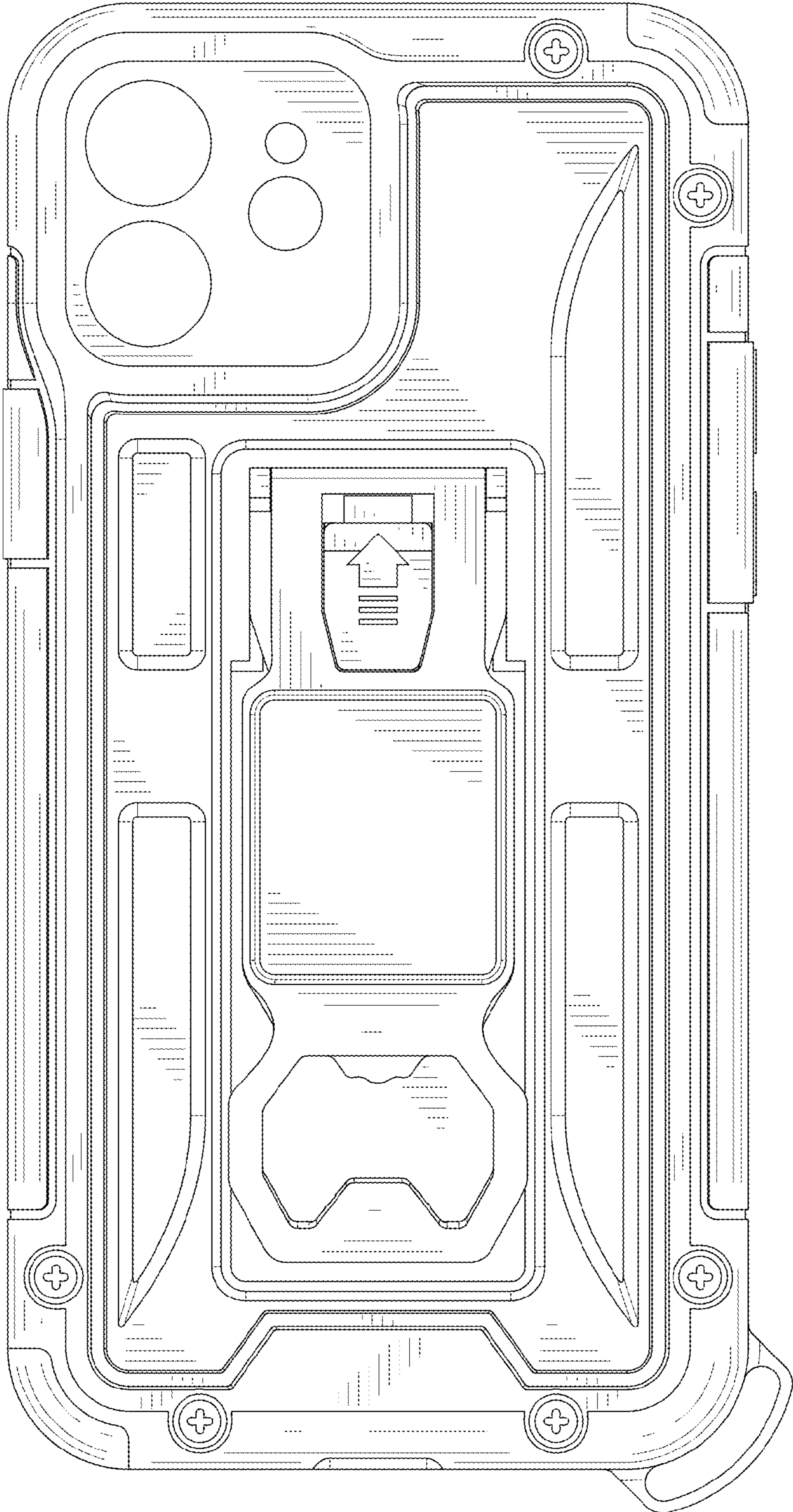


FIG. 3

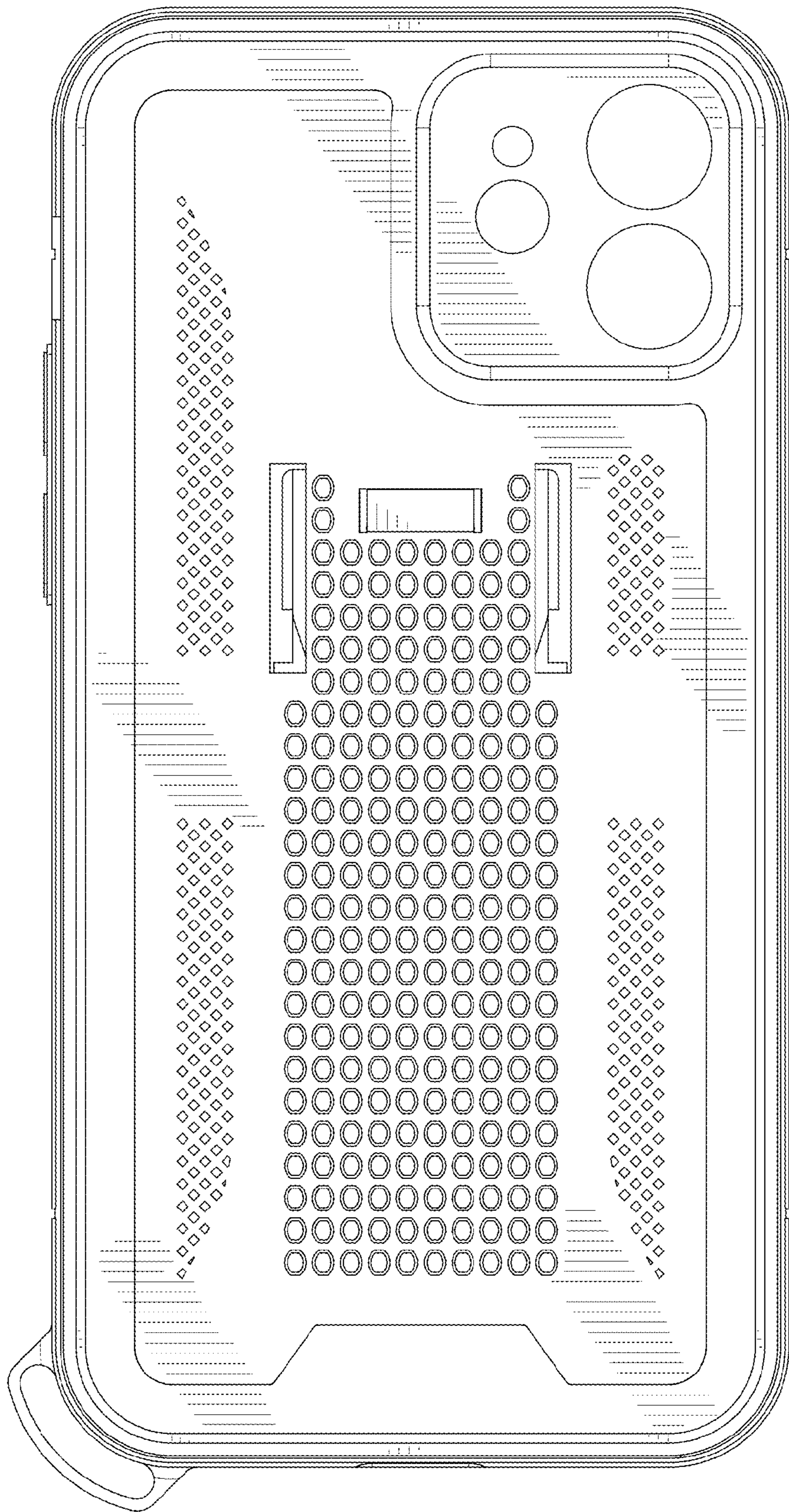


FIG. 4

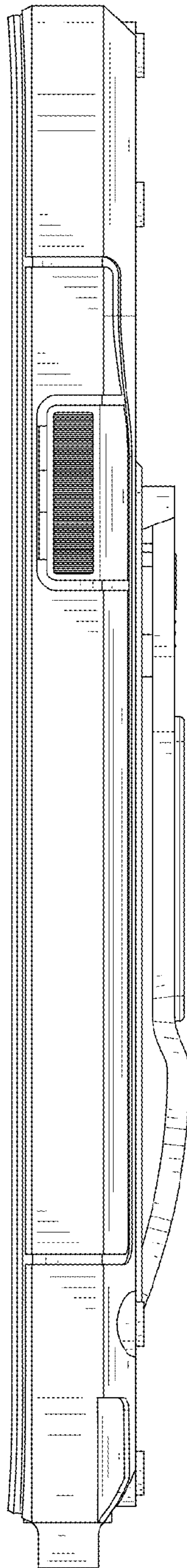


FIG. 5

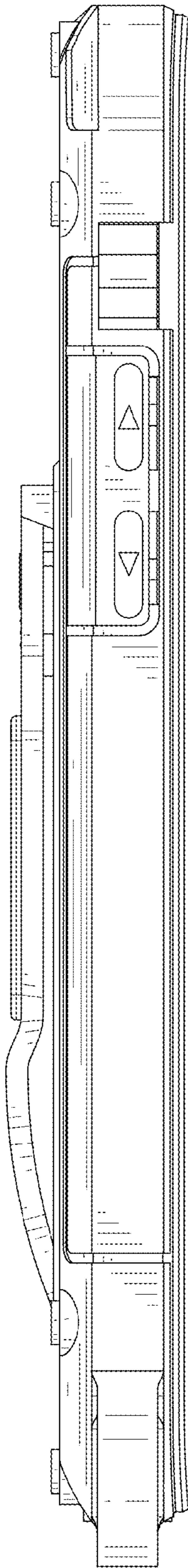


FIG. 6



FIG. 7

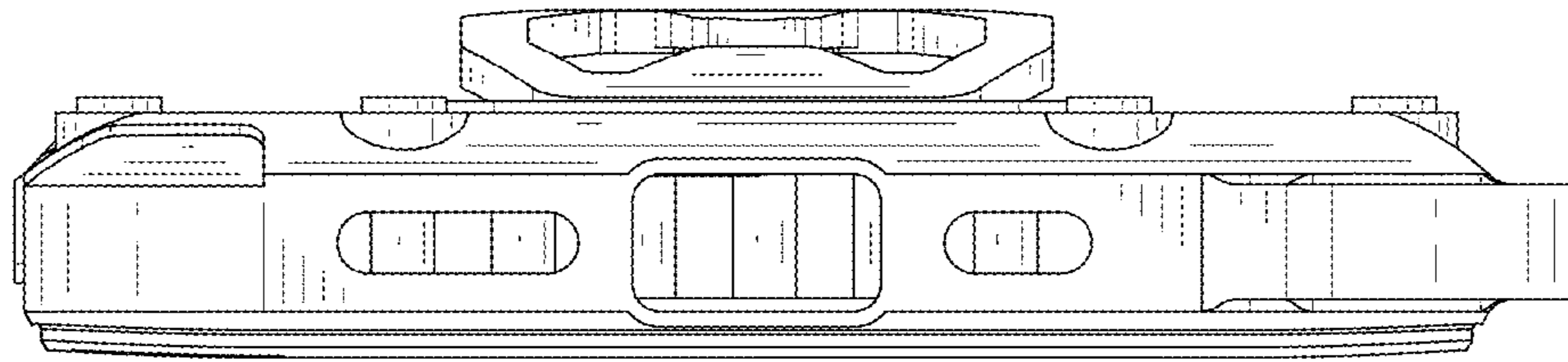


FIG. 8

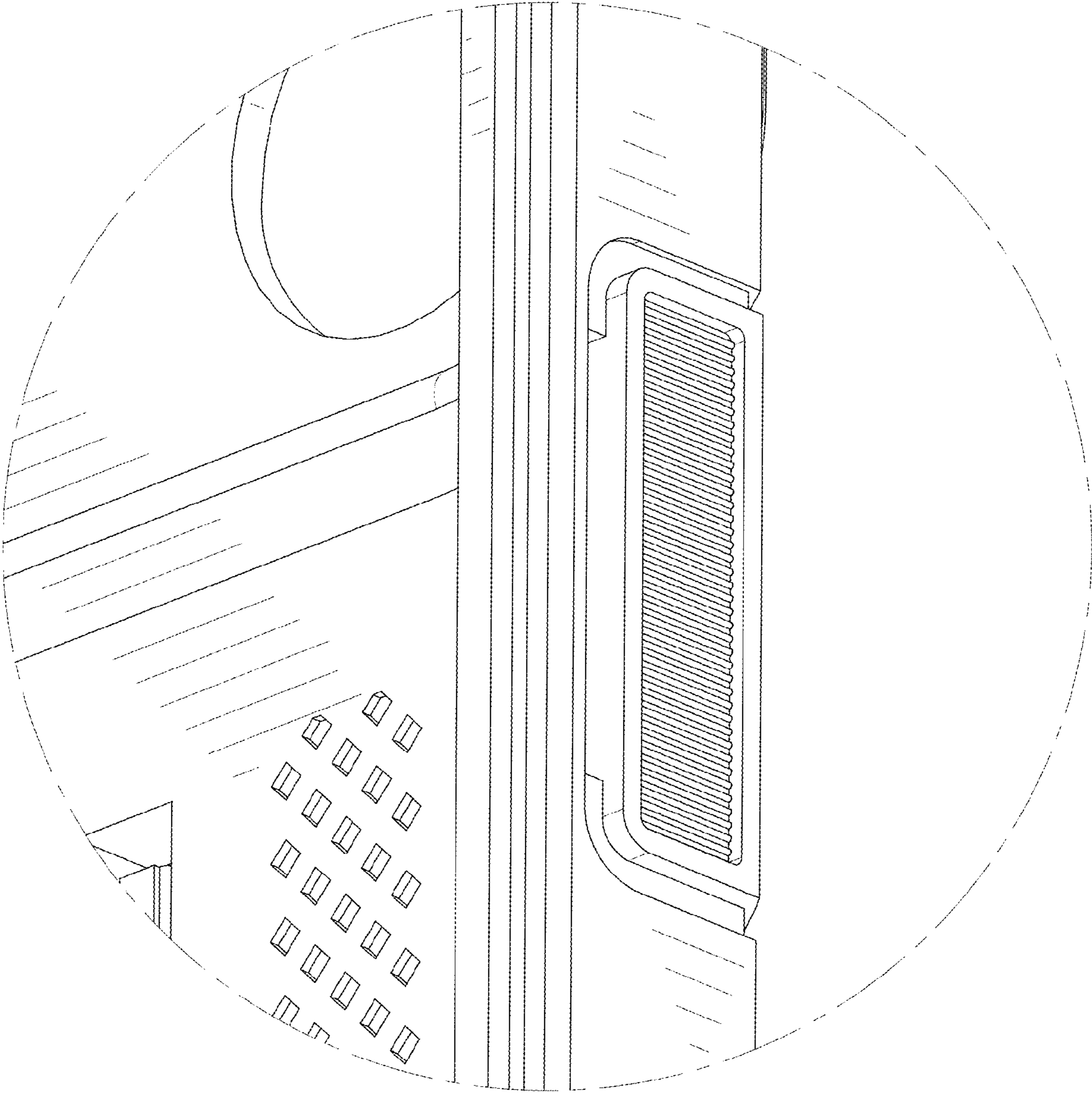


FIG. 9

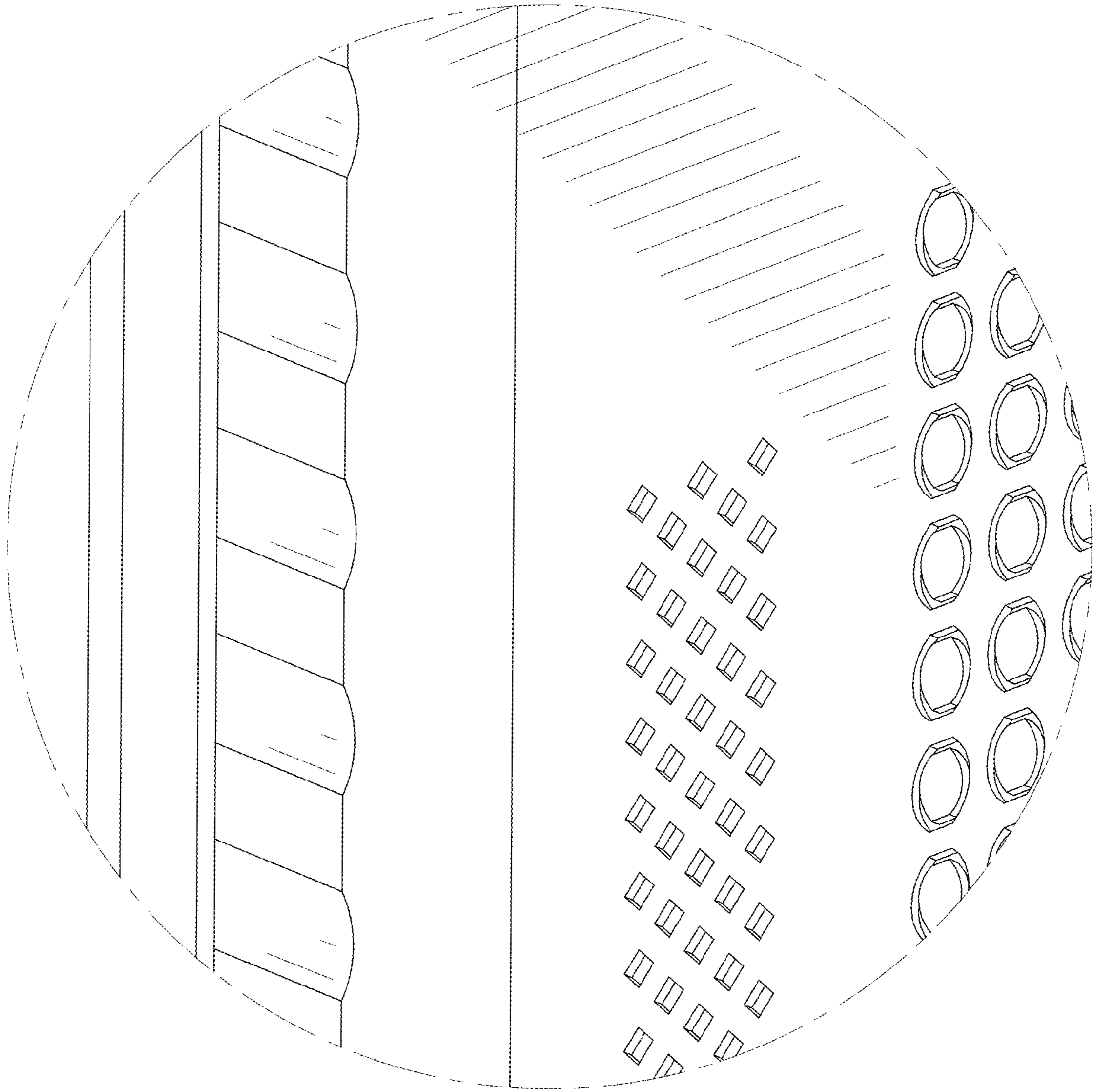


FIG. 10