

US00D952625S

(12) **United States Design Patent** (10) **Patent No.:** **US D952,625 S**  
**Bevington et al.** (45) **Date of Patent:** **\*\* May 24, 2022**

- (54) **CASE**
- (71) Applicant: **Urban Armor Gear, LLC**, Laguna Niguel, CA (US)
- (72) Inventors: **Casey Bevington**, Huntington Beach, CA (US); **Kaila Vandermeij**, Long Beach, CA (US); **Eric Yoshinari**, Laguna Niguel, CA (US)
- (73) Assignee: **URBAN ARMOR GEAR, LLC**, Laguna Niguel, CA (US)
- (\*\*) Term: **15 Years**
- (21) Appl. No.: **29/743,603**
- (22) Filed: **Jul. 22, 2020**
- (51) **LOC (13) Cl.** ..... **14-03**
- (52) **U.S. Cl.**  
USPC ..... **D14/250**
- (58) **Field of Classification Search**  
USPC ..... D14/203.3–203.7, 439, 251–253, 447, D14/217, 240, 238.1, 250, 440, 248; D13/107–108, 103, 119; D3/201, 218, D3/247, 249, 269, 273, 301, 303  
CPC . H04B 1/3888; A45C 13/02; A45C 2011/002; A45C 1/06; A45C 11/00; A45F 2005/026; A45F 2200/0525; A45F 2200/0516; H04M 1/0283; H04M 1/0202  
See application file for complete search history.

- D692,826 S \* 11/2013 Aida ..... D13/108
- D697,503 S \* 1/2014 Melanson ..... D14/250
- D706,754 S \* 6/2014 Goradesky ..... D14/250
- D712,388 S \* 9/2014 Jia ..... D14/250
- D719,945 S \* 12/2014 Chiang ..... D14/250

(Continued)

*Primary Examiner* — Carla J Wright  
(74) *Attorney, Agent, or Firm* — K&L Gates LLP; Brian J. Novak; Giorgios Kefallinos

(57) **CLAIM**  
The ornamental design for a case, as shown and described.

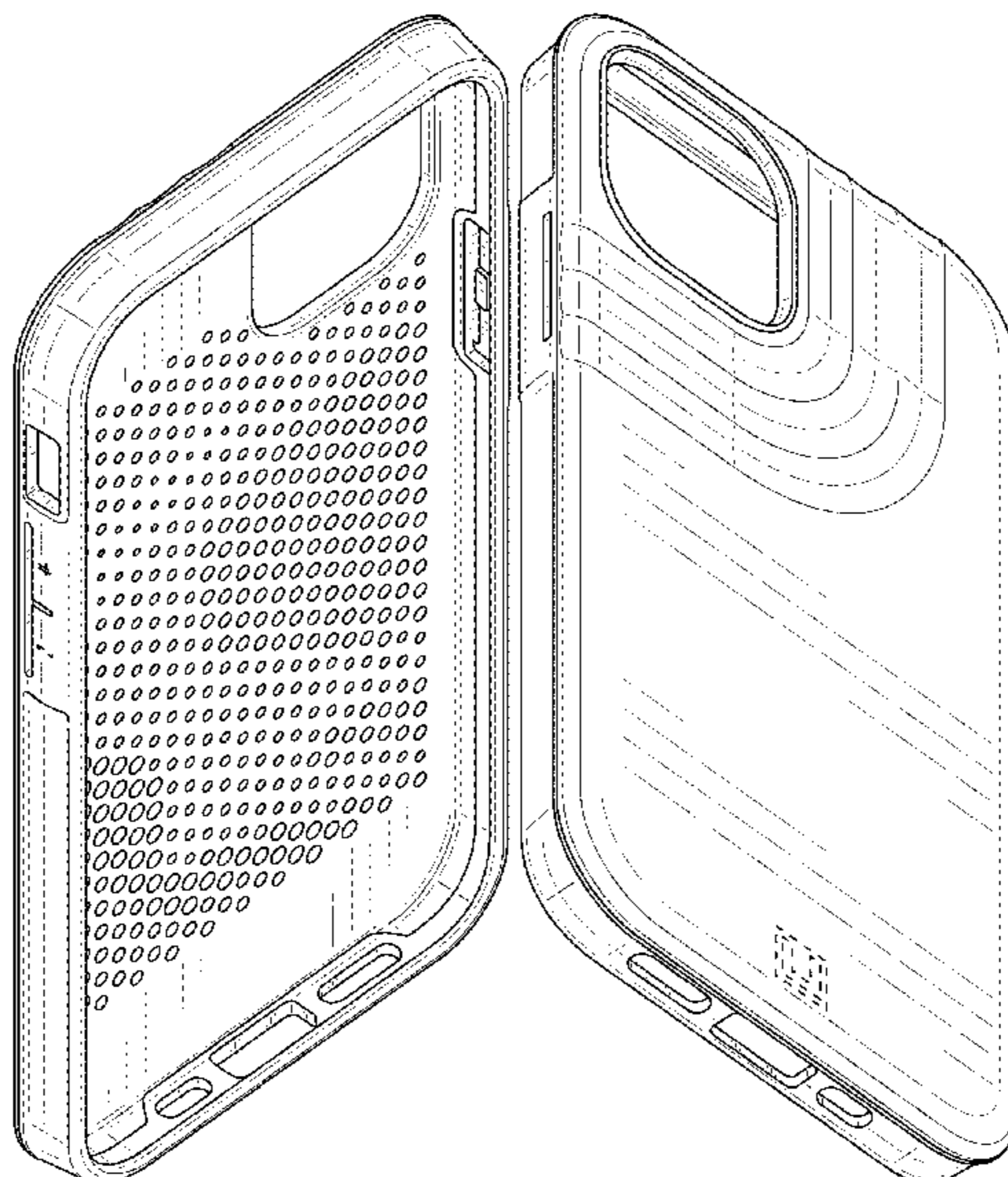
**DESCRIPTION**

FIG. 1 is a front, first side, and top perspective view of a case showing a first embodiment of our new design.  
 FIG. 2 is a back, second side, and bottom perspective view of the case of FIG. 1.  
 FIG. 3 is a front view of the case of FIG. 1.  
 FIG. 4 is a back view of the case of FIG. 1.  
 FIG. 5 is a first side view of the case of FIG. 1.  
 FIG. 6 is a second side view of the case of FIG. 1.  
 FIG. 7 is a top view of the case of FIG. 1.  
 FIG. 8 is a bottom view of the case of FIG. 1.  
 FIG. 9 is a front, first side, and top perspective view of a case showing a second embodiment of our new design.  
 FIG. 10 is a back, second side, and bottom perspective view of the case of FIG. 9.  
 FIG. 11 is a front view of the case of FIG. 9.  
 FIG. 12 is a back view of the case of FIG. 9.  
 FIG. 13 is a first side view of the case of FIG. 9.  
 FIG. 14 is a second side view of the case of FIG. 9.  
 FIG. 15 is a top view of the case of FIG. 9; and  
 FIG. 16 is a bottom view of the case of FIG. 9.  
 The broken lines in the drawing figures form no part of the claimed design and illustrate portions of the case that form no part of the embodiment of the claimed design in which they are shown. The case illustrated in FIGS. 9-16 is transparent.

**1 Claim, 16 Drawing Sheets**

(56) **References Cited**  
U.S. PATENT DOCUMENTS

- D260,568 S \* 9/1981 Cherry ..... D3/314
- D526,322 S \* 8/2006 Chen ..... D14/444
- D537,071 S \* 2/2007 Chen ..... D14/215
- D631,463 S \* 1/2011 Kim ..... D14/138 AB
- D671,107 S \* 11/2012 Rothbaum ..... D14/250
- D682,260 S \* 5/2013 Tages ..... D14/250
- D684,150 S \* 6/2013 Goradesky ..... D14/250



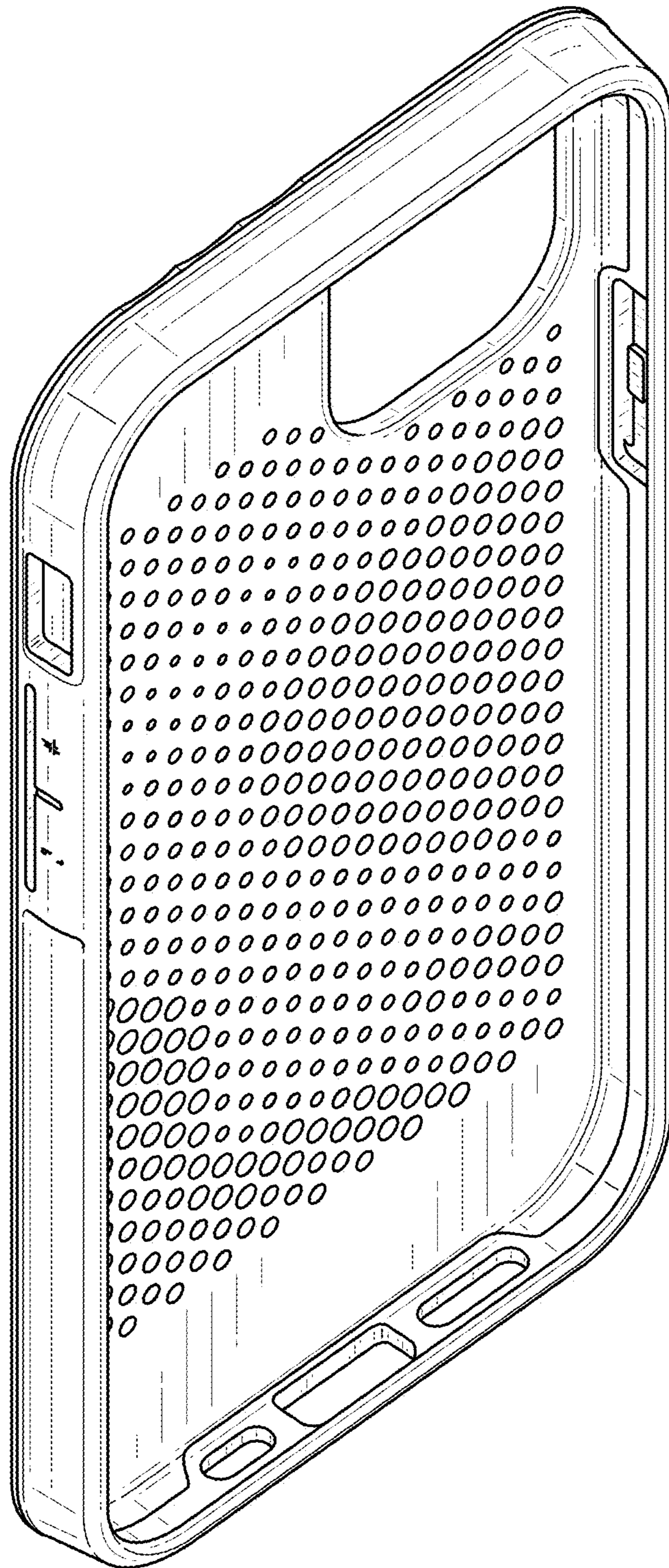
(56)

**References Cited**

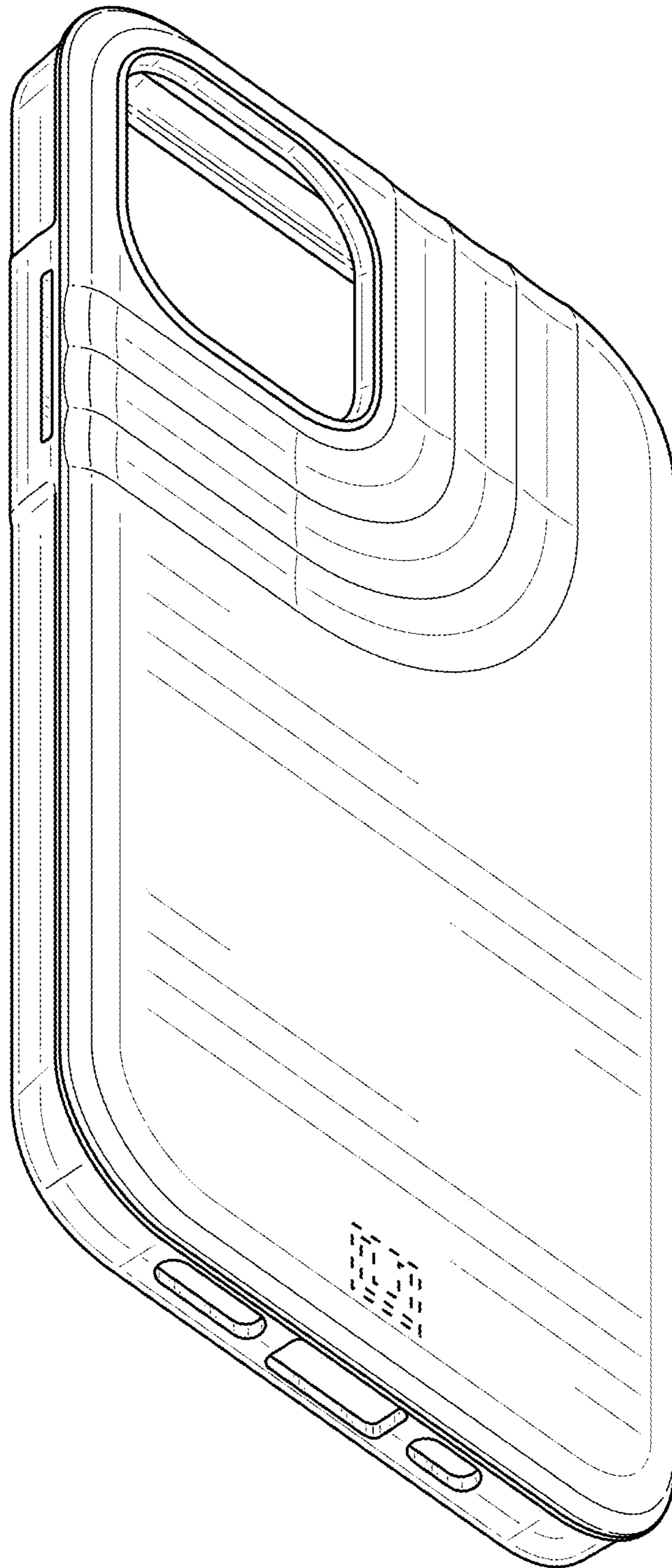
U.S. PATENT DOCUMENTS

D739,394	S *	9/2015	Rayner .....	D14/250
9,293,808	B1 *	3/2016	Roberts .....	H01Q 1/422
D753,641	S *	4/2016	Roberts .....	D14/250
D756,343	S *	5/2016	Wall .....	D14/250
D756,345	S *	5/2016	Roberts .....	D14/250
D781,831	S *	3/2017	Huang .....	D14/250
D782,459	S *	3/2017	Shannon, III .....	D14/250
D785,613	S *	5/2017	Lin .....	D14/250
D803,823	S *	11/2017	Feng .....	D14/250
D808,373	S *	1/2018	Brown .....	D14/250
D821,380	S *	6/2018	Cramer .....	D14/250
D823,294	S *	7/2018	Kim .....	D14/250
D875,089	S *	2/2020	Hemesath .....	D14/250
D876,380	S *	2/2020	Duman .....	D14/137
D877,132	S *	3/2020	Yang .....	D14/250
2013/0292269	A1 *	11/2013	Tages .....	H04B 1/3888 206/37
2014/0221056	A1 *	8/2014	Gandhi .....	H04B 1/3888 455/575.8
2016/0198026	A1 *	7/2016	Del Toro .....	H04B 1/3888 455/575.8
2019/0298023	A1 *	10/2019	Okada .....	H04B 1/3888

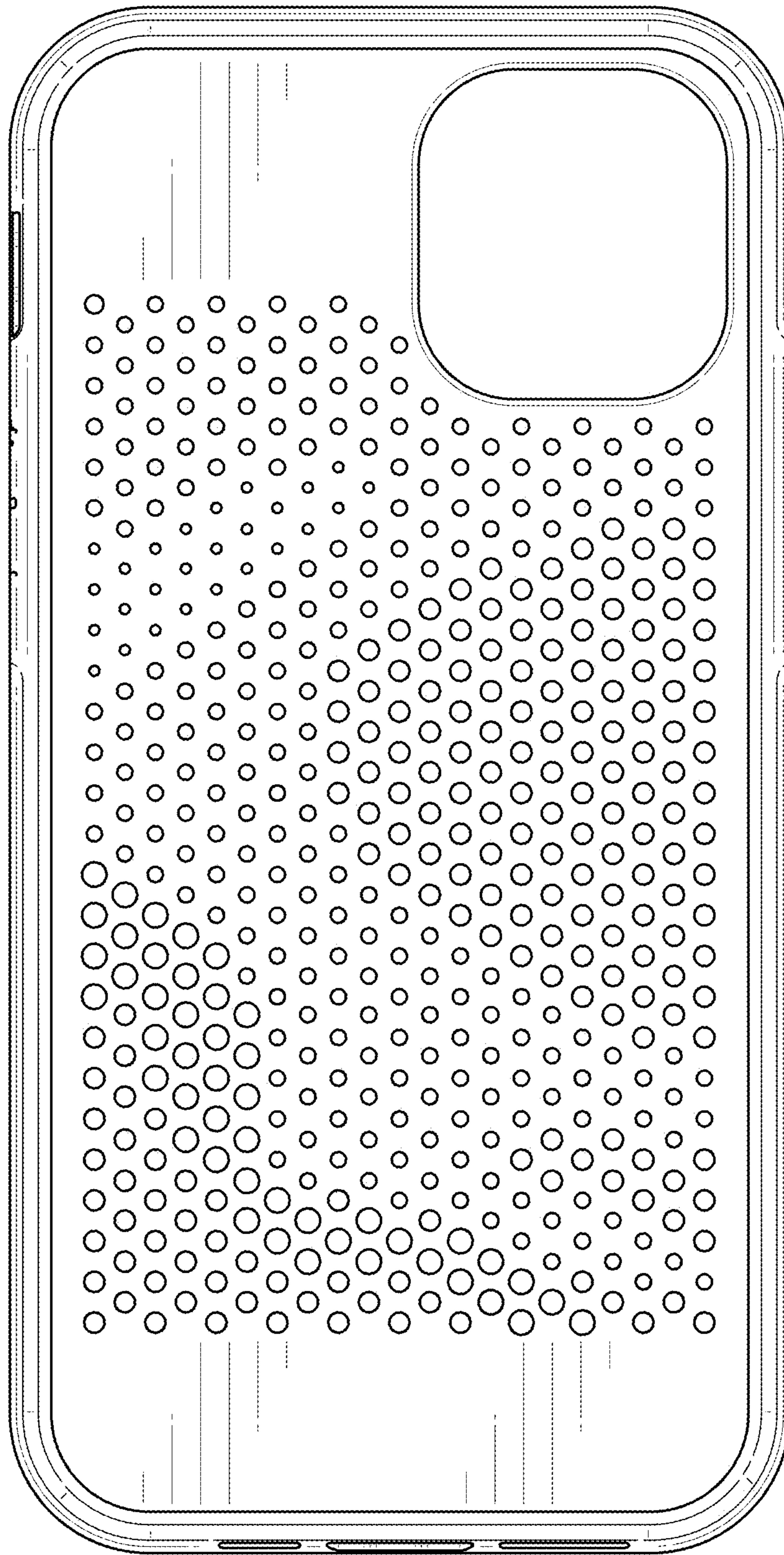
\* cited by examiner



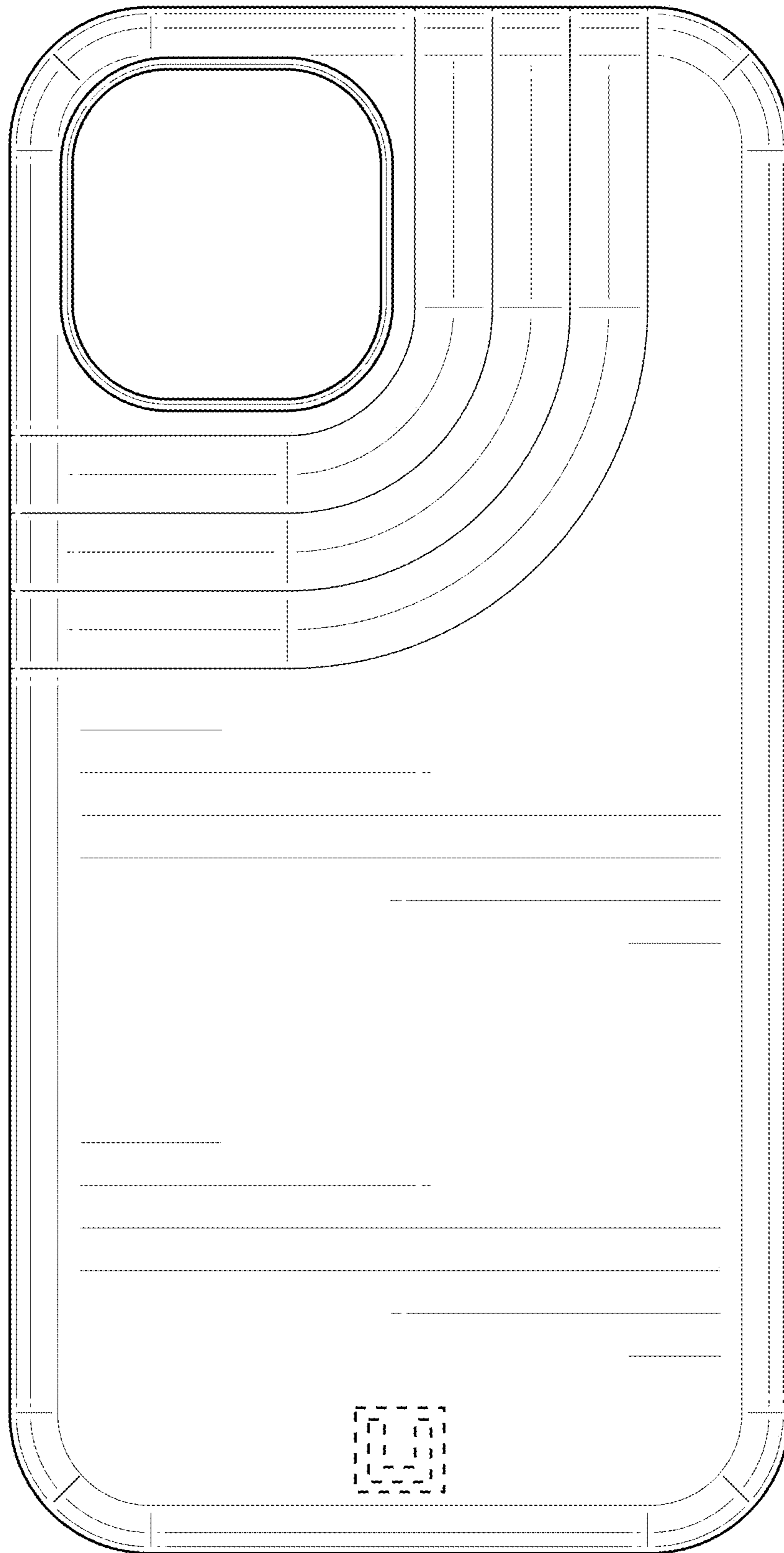
**FIG. 1**



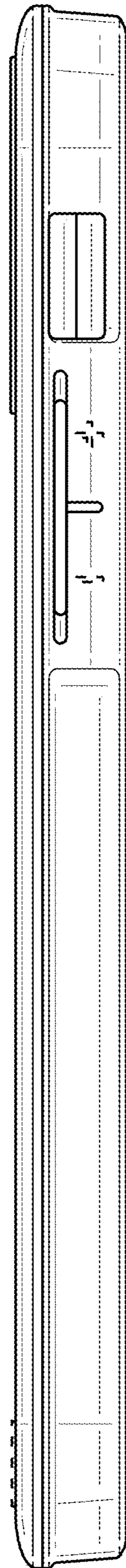
**FIG. 2**



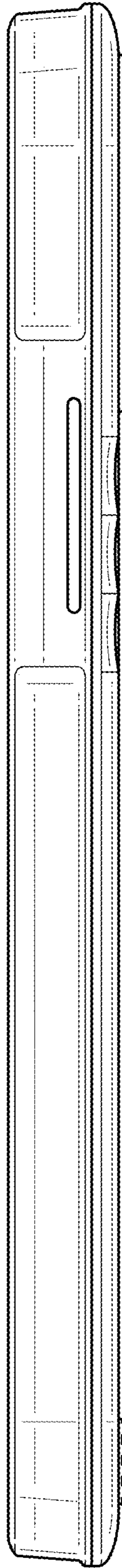
**FIG. 3**



**FIG. 4**

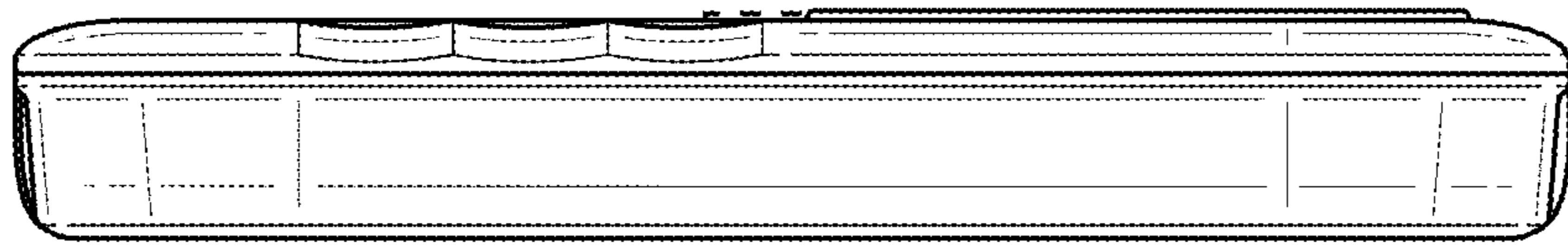


**FIG. 5**

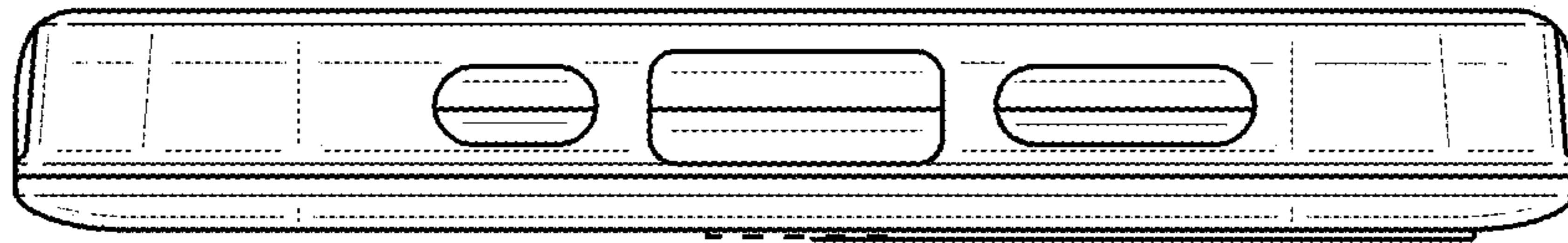


**FIG. 6**

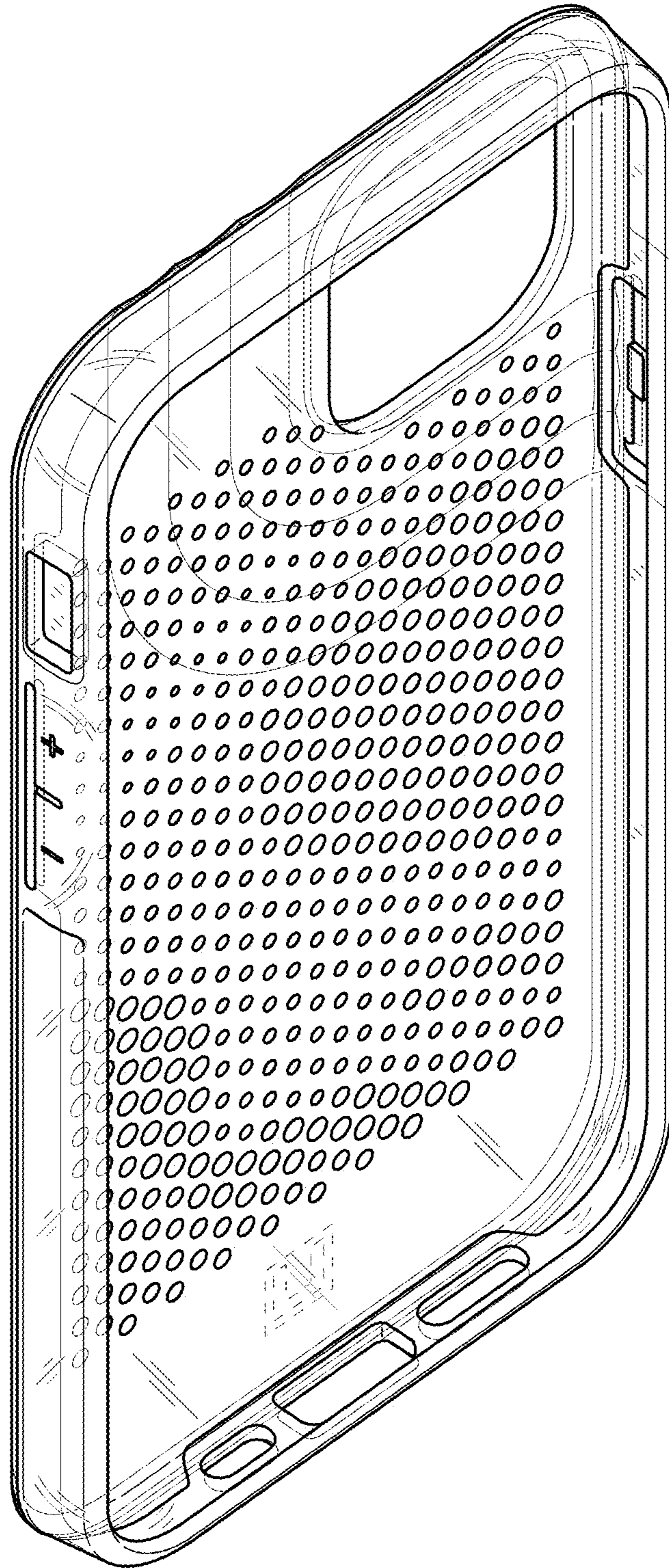




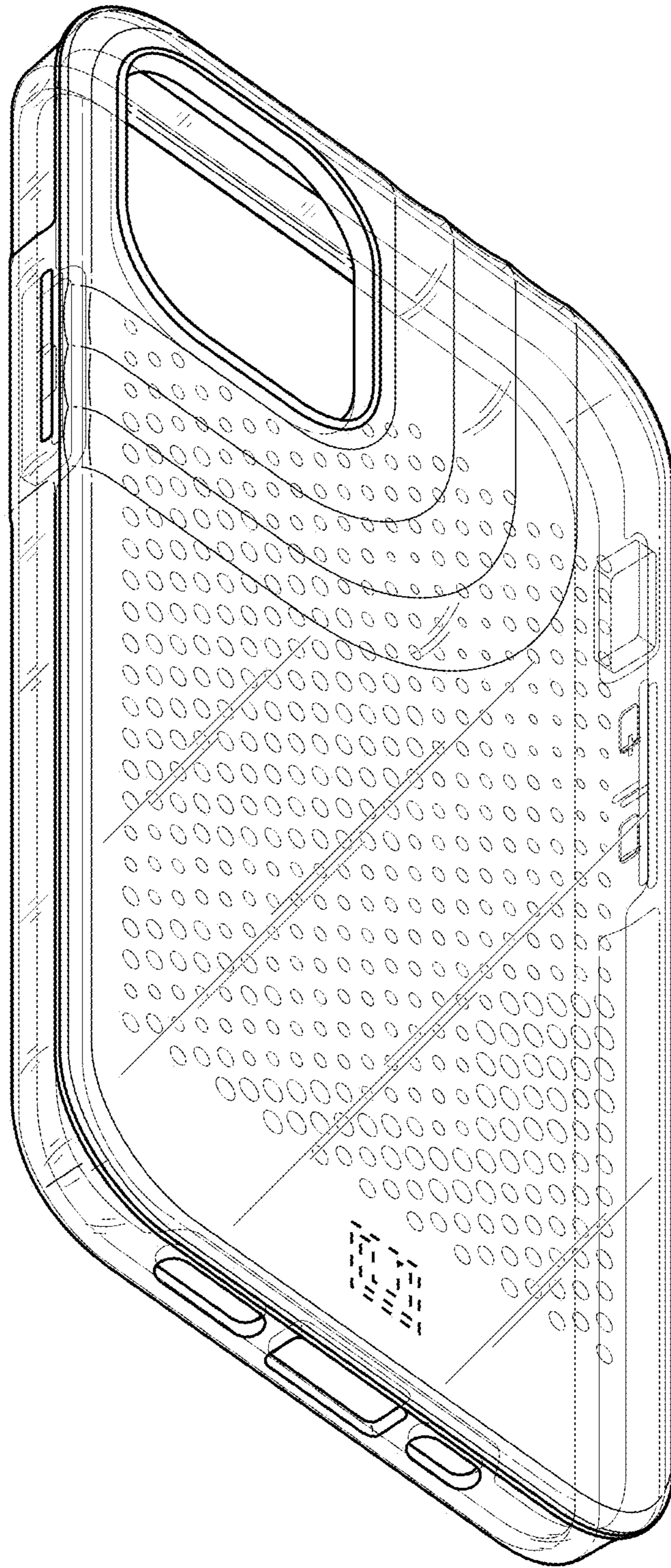
**FIG. 7**



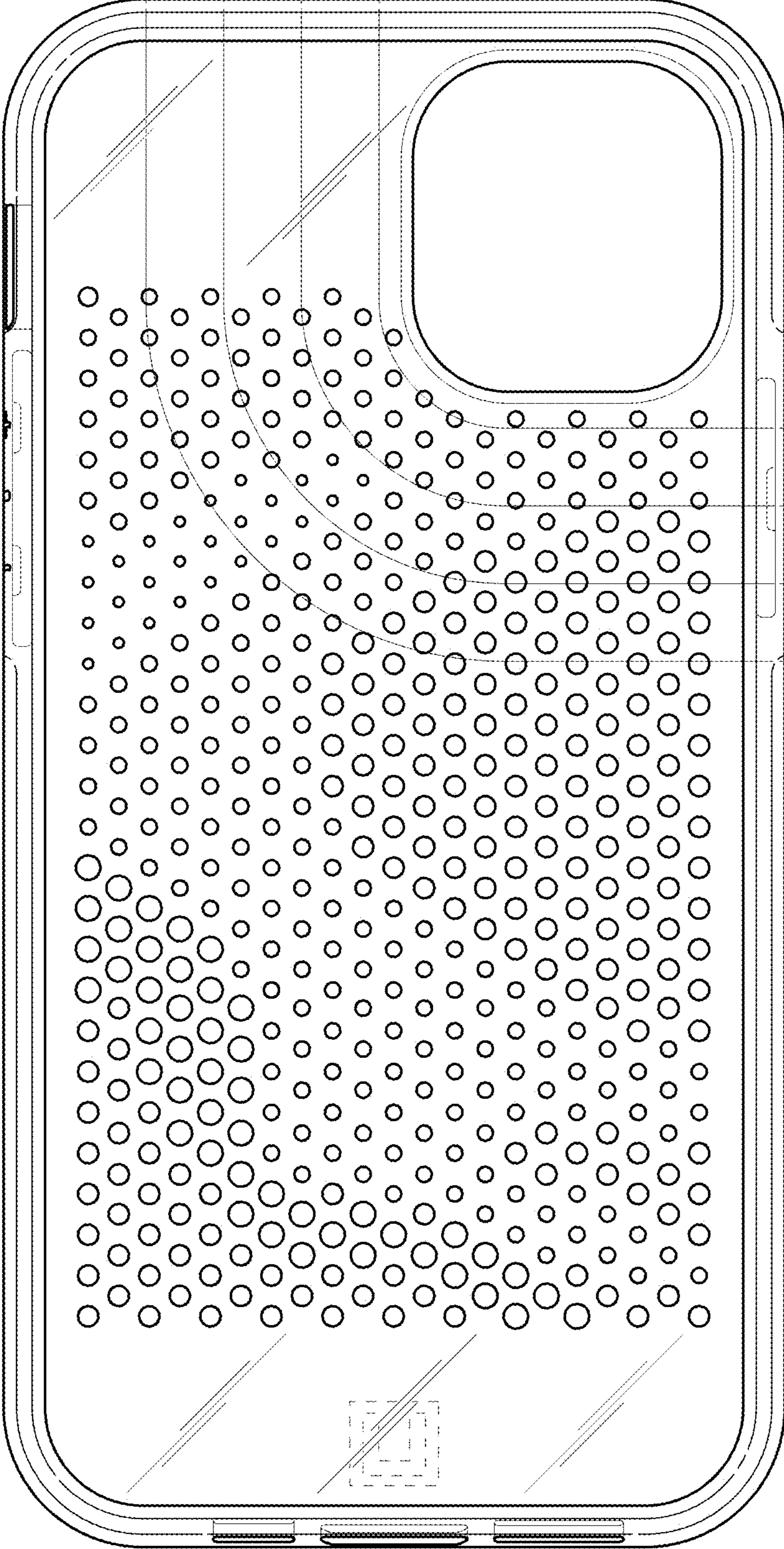
**FIG. 8**



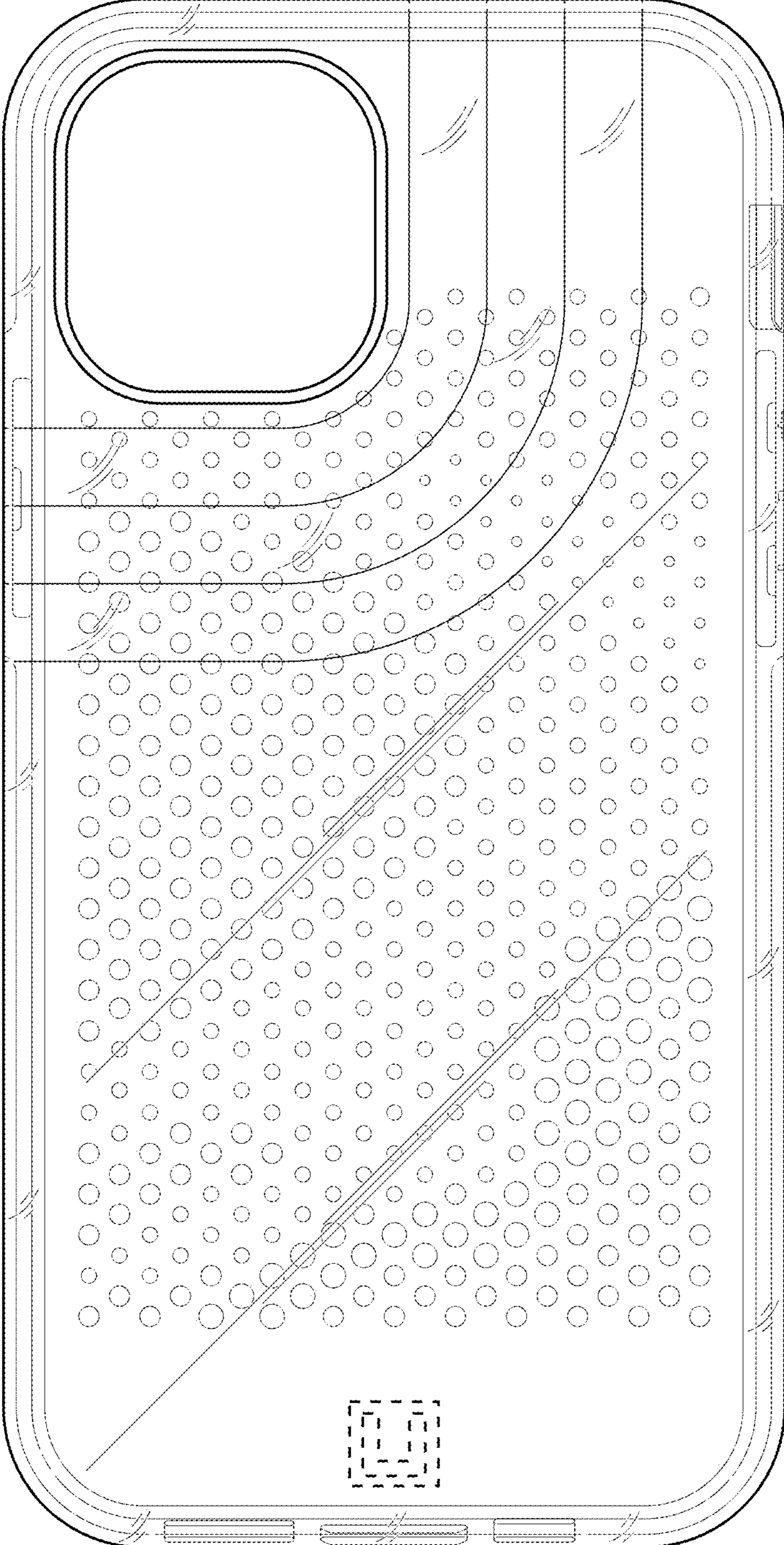
**FIG. 9**



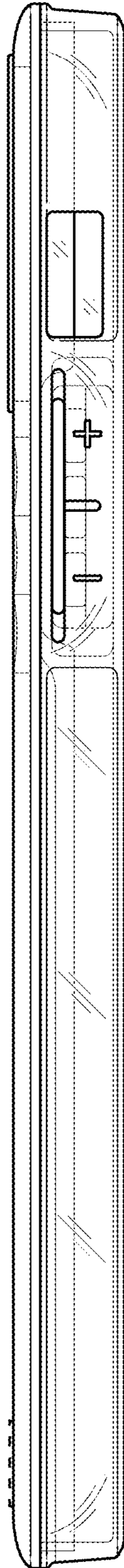
**FIG. 10**



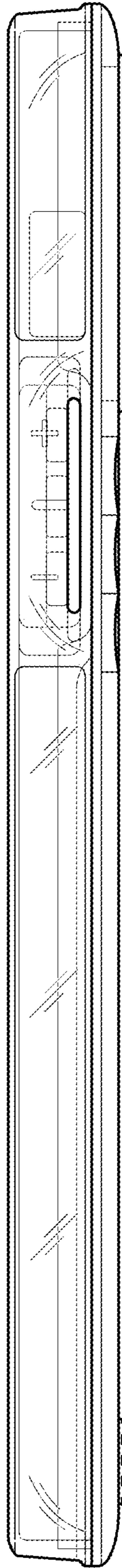
**FIG. 11**



**FIG. 12**

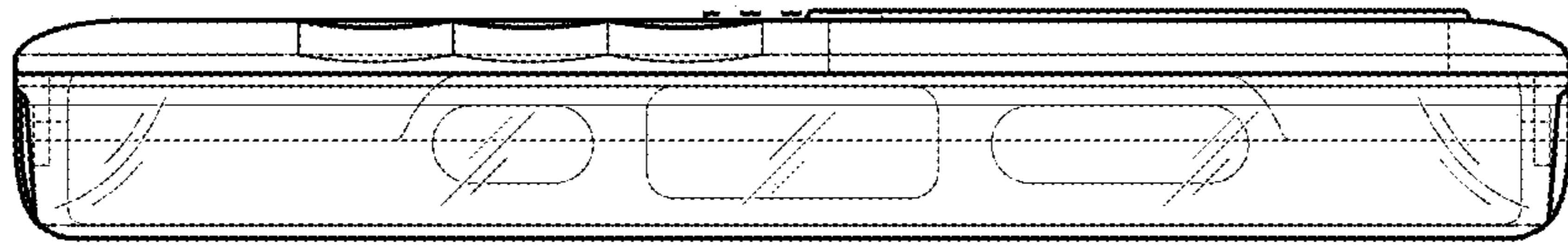


**FIG. 13**

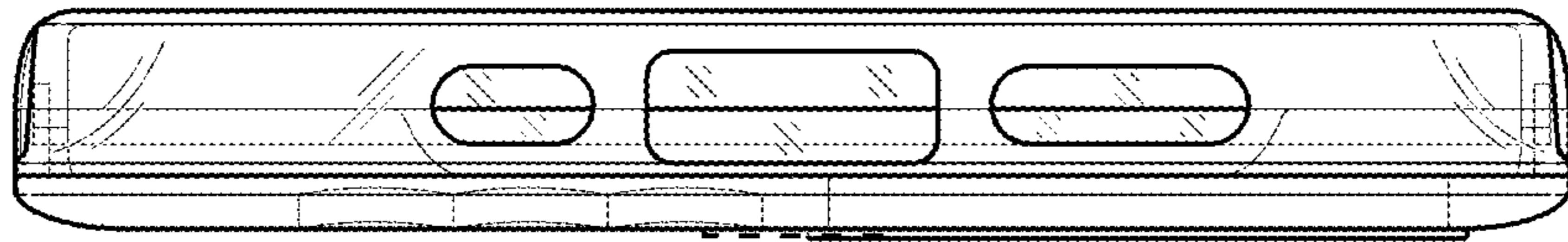


**FIG. 14**





**FIG. 15**



**FIG. 16**