



US00D952623S

(12) **United States Design Patent**  
**Britt et al.**

(10) **Patent No.:** **US D952,623 S**

(45) **Date of Patent:** **\*\* May 24, 2022**

(54) **PHONE CASE**

(71) Applicants: **David Wayne Britt**, Charlotte, NC  
(US); **Deborah Laun**, Skaneateles, NY  
(US); **Robert Naas**, Skaneateles, NY  
(US)

(72) Inventors: **David Wayne Britt**, Charlotte, NC  
(US); **Deborah Laun**, Skaneateles, NY  
(US); **Robert Naas**, Skaneateles, NY  
(US)

(73) Assignee: **SECUREGRIP, LLC**, Charlotte, NC  
(US)

(\*\*) Term: **15 Years**

(21) Appl. No.: **29/625,022**

(22) Filed: **Nov. 6, 2017**

(51) **LOC (13) Cl.** ..... **14-03**

(52) **U.S. Cl.**  
USPC ..... **D14/250**

(58) **Field of Classification Search**  
USPC ..... D14/203.3–203.7, 439, 251–253, 447,  
D14/217, 240, 238.1, 250, 440, 248;  
D13/103, 107–108, 119; D3/201, 218,  
D3/247, 249, 269, 273, 301, 303  
CPC ..... H04B 1/3888; A45C 1/06; A45C 11/00;  
A45C 13/02; A45C 2011/002; A45F  
2005/026; A45F 2200/0525; A45F  
2200/0516; H04M 1/0283; H04M 1/0202  
See application file for complete search history.

(56) **References Cited**

**U.S. PATENT DOCUMENTS**

3,572,870 A 3/1971 Marks  
5,938,137 A 7/1999 Poulson  
6,546,103 B1 4/2003 Wong  
7,661,567 B2 2/2010 Myers  
7,665,684 B2 2/2010 Salentine et al.

8,251,210 B2 8/2012 Schmidt et al.  
8,297,440 B2 10/2012 Schmidt et al.  
D675,197 S 1/2013 Losiewicz  
8,371,486 B2 2/2013 Imafuku et al.  
D679,271 S 4/2013 Liu  
8,408,513 B2 4/2013 Smith  
8,411,849 B1 4/2013 McKenzie et al.

(Continued)

**FOREIGN PATENT DOCUMENTS**

GB 2515397 9/2015  
JP 3430078 5/2003

(Continued)

**OTHER PUBLICATIONS**

Patent Cooperation Treaty, International Search Report for PCT/  
US2019/013793, 3pgs. dated Apr. 23, 2019.

(Continued)

*Primary Examiner* — Carla J Wright

(74) *Attorney, Agent, or Firm* — Bryan Cave Leighton  
Paisner LLP

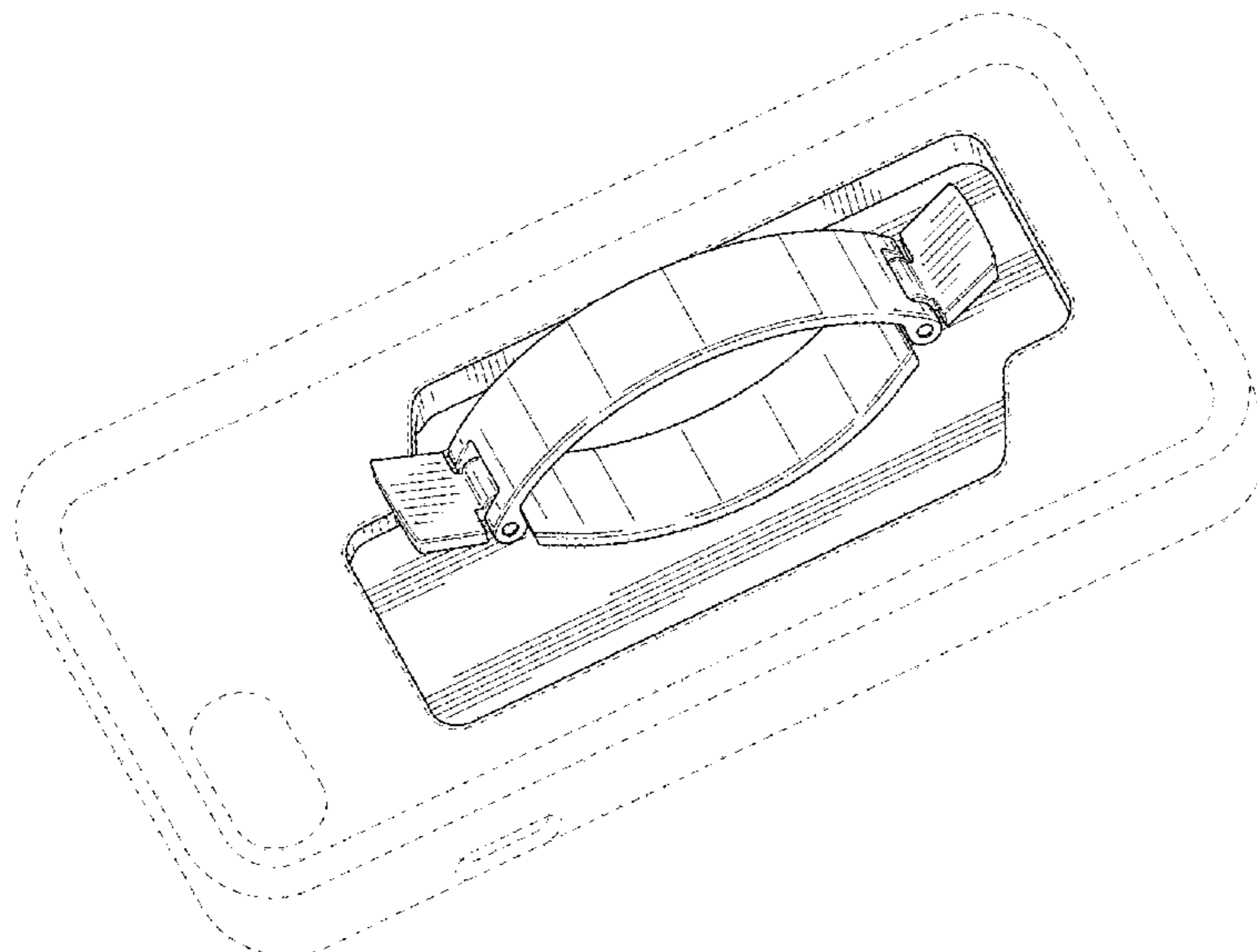
(57) **CLAIM**

The ornamental design for a phone case, as shown and  
described.

**DESCRIPTION**

FIG. 1 is a perspective view of a phone case showing my  
new design with the finger hold in an extended position;  
FIG. 2 is a top plan view of the phone case with the finger  
hold in the extended position;  
FIG. 3 is a top plan view of the phone case showing the  
finger hold in a collapsed position; and,  
FIG. 4 is a top plan view of the phone case showing the  
finger hold in a collapsed, rotated, and stowed position.  
The broken lines in the drawing figures depict portions of the  
phone case that form no part of the claimed design.

**1 Claim, 4 Drawing Sheets**



(56)

References Cited

U.S. PATENT DOCUMENTS

8,428,664 B1 \* 4/2013 Wyers ..... F16M 13/04  
455/575.1  
D685,376 S \* 7/2013 Kim ..... D14/439  
D685,778 S 7/2013 Fahrenдорff et al.  
D686,199 S 7/2013 Fahrenдорff et al.  
8,528,798 B2 9/2013 Chen  
8,550,317 B2 10/2013 Hyseni  
8,567,832 B2 10/2013 Kannaka  
8,577,412 B1 11/2013 Bishop  
8,678,255 B2 3/2014 Zhang et al.  
D703,647 S 4/2014 Kim  
D705,767 S \* 5/2014 Yoon ..... D14/250  
8,737,066 B1 5/2014 Block  
D706,254 S 6/2014 Chang  
8,746,448 B1 6/2014 Bellace  
8,794,560 B2 8/2014 Salentine et al.  
8,915,409 B2 12/2014 Smith  
D721,376 S \* 1/2015 Lee ..... D14/440  
D723,569 S \* 3/2015 Peng ..... D14/440  
D733,696 S \* 7/2015 Burgett ..... D14/250  
9,072,363 B2 7/2015 Paugh et al.  
9,104,377 B2 8/2015 Rekuc et al.  
D738,872 S \* 9/2015 Erickson-Davis ..... D14/250  
8,950,638 B2 10/2015 Wangereyn et al.  
9,155,377 B2 10/2015 Wangereyn et al.  
9,179,762 B2 11/2015 Paugh  
9,210,977 B2 12/2015 Lach et al.  
D749,592 S \* 2/2016 Huang ..... D14/440  
9,261,912 B2 2/2016 Bell  
9,300,346 B2 3/2016 Hirsh  
9,312,905 B2 4/2016 Ehrlich  
D756,980 S 5/2016 Beeman  
9,369,168 B2 6/2016 Molnar  
9,386,832 B2 7/2016 Elgan  
D763,239 S 8/2016 Chan et al.  
D765,069 S 8/2016 Jeffrey  
9,407,743 B1 8/2016 Hershberg  
D766,225 S 9/2016 Williams  
D769,854 S \* 10/2016 Duval ..... D14/250  
9,469,499 B1 10/2016 Chen  
9,473,608 B1 10/2016 Sherman et al.  
D771,028 S 11/2016 Kim  
D771,030 S \* 11/2016 Tussy ..... D14/250  
D771,608 S 11/2016 Kim et al.  
9,496,911 B2 11/2016 Brand  
D774,500 S 12/2016 Reese  
9,521,896 B2 12/2016 Peterson  
D775,619 S 1/2017 Tien  
D776,104 S 1/2017 Tien  
D777,154 S 1/2017 McGowan et al.  
D777,162 S \* 1/2017 Erickson-Davis ..... D14/250  
9,538,833 B2 1/2017 Rowley  
9,545,146 B1 1/2017 King  
9,545,147 B2 1/2017 King  
D778,275 S 2/2017 Gabriel et al.  
D780,166 S 2/2017 Gabriel et al.  
D780,167 S 2/2017 Tien  
9,581,291 B2 2/2017 Trotsky  
9,590,685 B1 3/2017 Yehuda  
D794,007 S \* 8/2017 Zhang ..... D14/250  
D806,083 S \* 12/2017 Armstrong ..... D14/440  
D831,635 S \* 10/2018 Gibson ..... D14/250  
D851,092 S \* 6/2019 Tan ..... D14/440  
10,554,798 B2 \* 2/2020 Britt ..... H04M 1/18  
10,561,228 B2 \* 2/2020 Britt ..... G06F 1/1628  
2005/0011982 A1 1/2005 Salentine et al.  
2005/0072819 A1 4/2005 Maldonado et al.  
2007/0278265 A1 12/2007 Contente  
2008/0227419 A1 9/2008 Traub  
2011/0084081 A1 4/2011 Chung  
2011/0266316 A1 11/2011 Ghalib  
2011/0267748 A1 11/2011 Lane et al.  
2011/0297581 A1 12/2011 Angel  
2011/0309117 A1 12/2011 Roberts  
2012/0025039 A1 2/2012 Segal

2012/0025684 A1 2/2012 Trotsky  
2012/0031937 A1 2/2012 Baker  
2012/0043452 A1 2/2012 Karmatz  
2012/0048873 A1 3/2012 Hyseni  
2012/0063066 A1 3/2012 Floit  
2012/0111881 A1 5/2012 Gaddis  
2012/0113572 A1 5/2012 Gaddis  
2012/0187706 A1 7/2012 Kannaka  
2012/0267402 A1 10/2012 Beatty  
2012/0299318 A1 11/2012 Murphy  
2013/0140312 A1 \* 6/2013 Lane ..... G06F 1/1628  
220/315  
2013/0214022 A1 8/2013 Harvey  
2013/0240380 A1 9/2013 Hansen  
2013/0240580 A1 9/2013 Yu  
2014/0054910 A1 \* 2/2014 Kim ..... H04B 1/3888  
294/158  
2014/0117177 A1 5/2014 Shamsadov  
2014/0148313 A1 5/2014 Orlando  
2014/0152034 A1 6/2014 Tussy  
2014/0159402 A1 \* 6/2014 Madrid ..... H04M 1/0279  
294/137  
2014/0166707 A1 \* 6/2014 Leisey-Bartsch .... H04B 1/3888  
224/197  
2014/0202886 A1 \* 7/2014 Kim ..... A45F 5/00  
206/38  
2014/0217135 A1 8/2014 Murphy  
2014/0252786 A1 \* 9/2014 Singhal ..... H04B 1/3888  
294/137  
2014/0364176 A1 12/2014 Pintor  
2015/0009610 A1 \* 1/2015 London ..... G06F 1/163  
361/679.03  
2015/0076183 A1 3/2015 Palma  
2015/0097008 A1 4/2015 Adeyemi  
2015/0122852 A1 5/2015 Feng  
2015/0157116 A1 6/2015 Williams  
2015/0201743 A1 7/2015 Erickson-Davis et al.  
2015/0289634 A1 10/2015 Chavez  
2015/0305480 A1 10/2015 Brousseau  
2015/0331448 A1 11/2015 Truong et al.  
2015/0335138 A1 11/2015 Juarbe  
2015/0365125 A1 \* 12/2015 Murphy ..... F16M 13/04  
455/575.6  
2016/0028428 A1 1/2016 Sturniolo  
2016/0088924 A1 3/2016 Haymond  
2016/0094262 A1 3/2016 Chroney  
2016/0249718 A1 9/2016 Oh et al.  
2016/0345715 A1 12/2016 Lin  
2017/0000250 A1 1/2017 Carnevalli  
2017/0055660 A1 3/2017 Tien  
2017/0104854 A1 4/2017 Park  
2017/0135234 A1 5/2017 Kim  
2017/0196327 A1 \* 7/2017 Ma ..... H04B 1/3888  
2018/0220782 A1 8/2018 Mody  
2018/0302114 A1 10/2018 Nielsen  
2019/0141174 A1 5/2019 Britt  
2019/0281964 A1 \* 9/2019 Britt ..... G06F 1/1628  
2020/0163444 A1 \* 5/2020 Britt ..... H04B 1/3877  
2020/0169626 A1 \* 5/2020 Britt ..... H04M 1/18  
2020/0412400 A1 \* 12/2020 Britt ..... H04B 1/3877

FOREIGN PATENT DOCUMENTS

JP 2013165823 8/2013  
JP 2014023141 2/2014  
KR 101765766 8/2017  
WO 2016019256 2/2016  
WO 2016081362 5/2016  
WO 2016166607 10/2016

OTHER PUBLICATIONS

CES 2015: Beeline shows off iPhone 6 case w/retractable kevlar cord for the outdoors, 49 Magazine, 2015, retrieved from www.49magazine.com/archives/10749, 3 pgs. 2015.

(56)

**References Cited**

OTHER PUBLICATIONS

Case iPhone Retractable Selfie Stick Apple iPhone 6, iPhone 6 Plus, iPhone 6s, iPhone 6s Plus, retrieved Mar. 10, 2017 from [www.casefanatic.com/store/](http://www.casefanatic.com/store/) 2017.

Patent Cooperation Treaty, International Search Report for PCT/US2019/022751, 3 pages dated Jun. 28, 2019.

Foldable selfie stick case for iPhone 7 retractable PC Silicone Mobile Phone Bluetooth Remote Control Coque for iPhone 7plus, retrieved Mar. 10, 2017 from [www.pinterest.com/pin/67525853784854239/](http://www.pinterest.com/pin/67525853784854239/), 3 pgs. 2017.

Discount Retractable Covers, 2017 Retractable Car Covers on sale at DHgate, retrieved from [www.dhgate.com/discount/retractable-covers-on-sale.html](http://www.dhgate.com/discount/retractable-covers-on-sale.html) 2017.

Chua, M., Reelcase—iPhone case with retractable lanyard marks sure your phone is always by your side, retrieved from [mikeshoots.com/reelcase-iphone-case-with-retractable-lanyard/](http://mikeshoots.com/reelcase-iphone-case-with-retractable-lanyard/) 2015.

\* cited by examiner

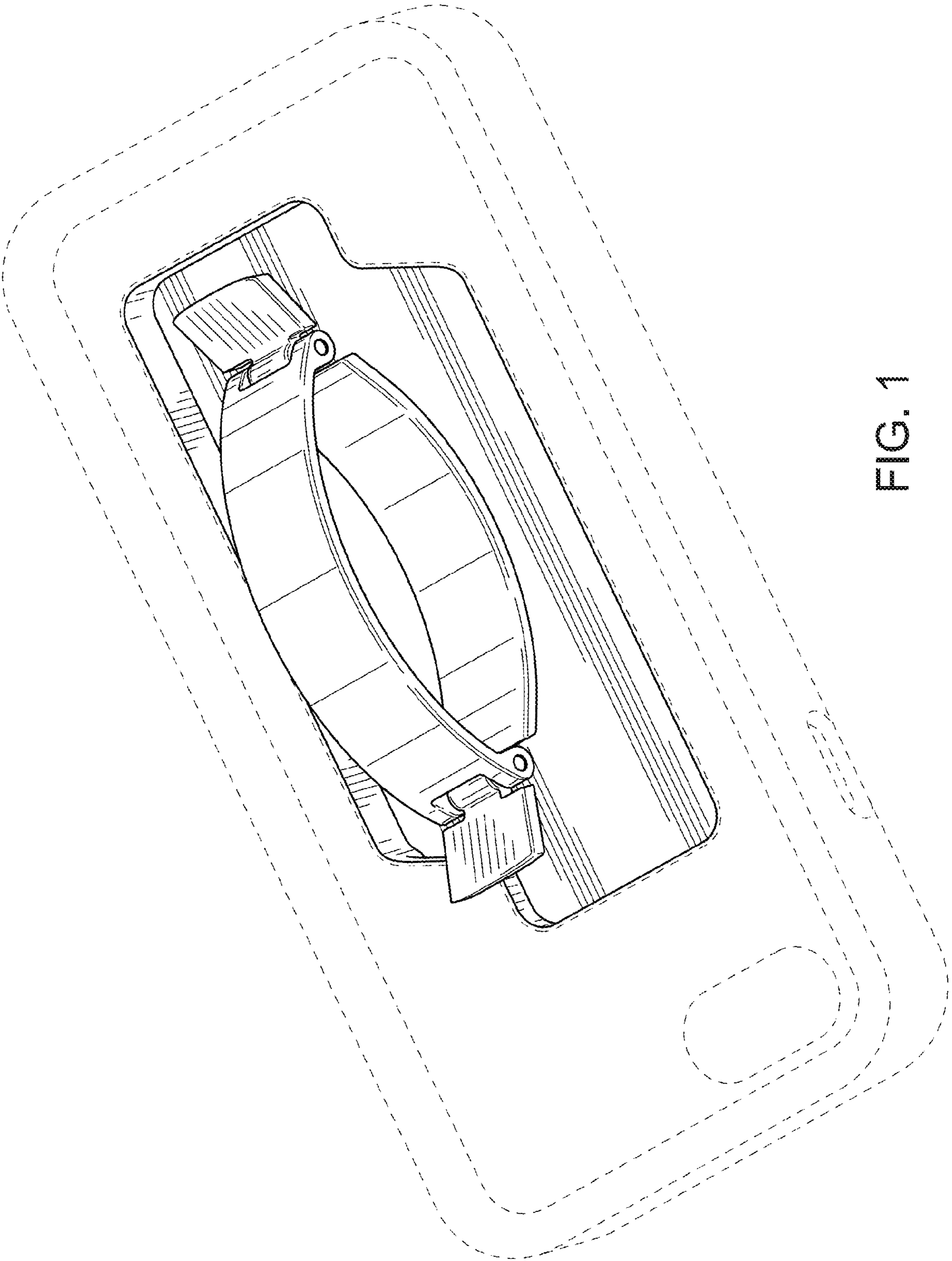


FIG. 1

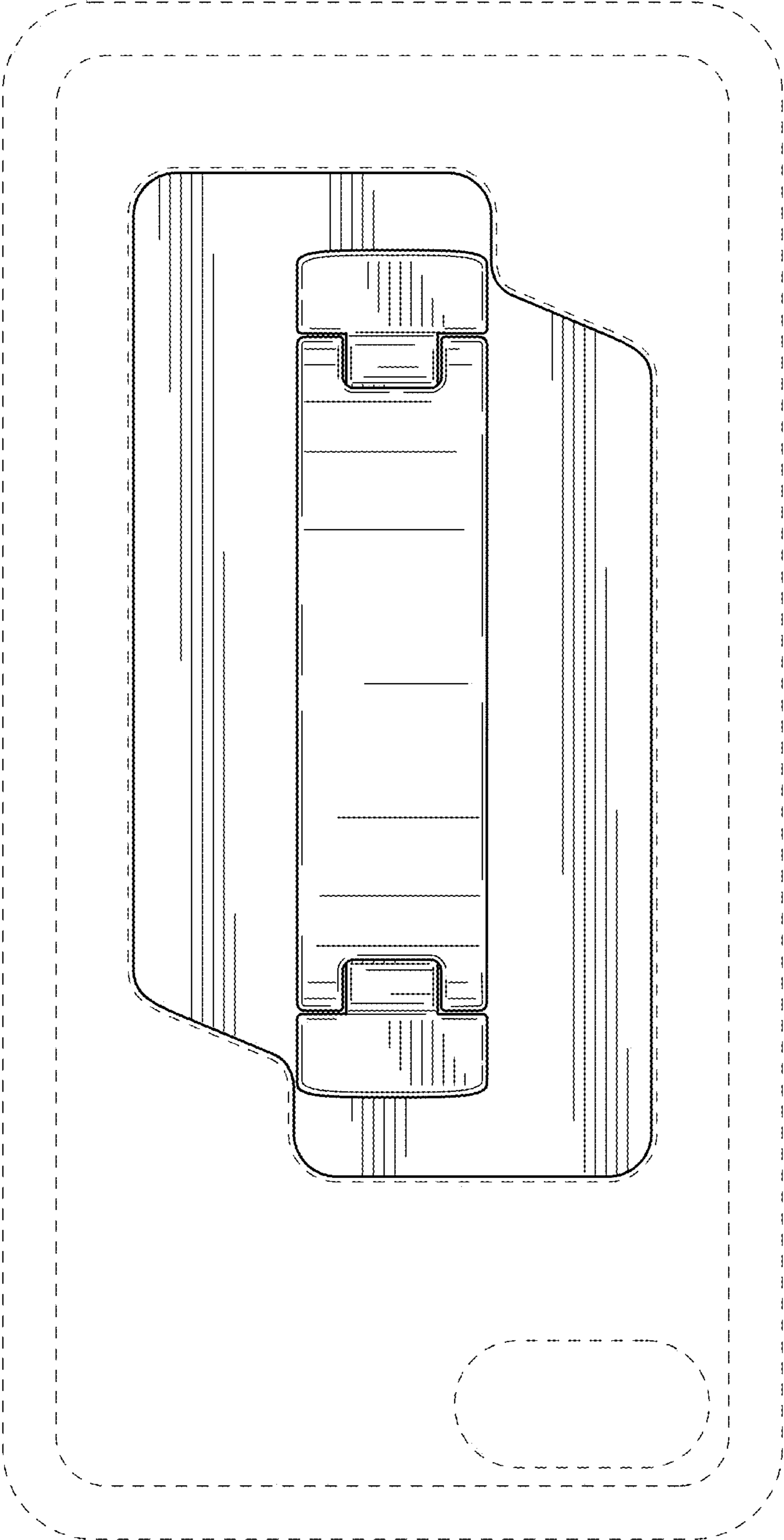


FIG. 2

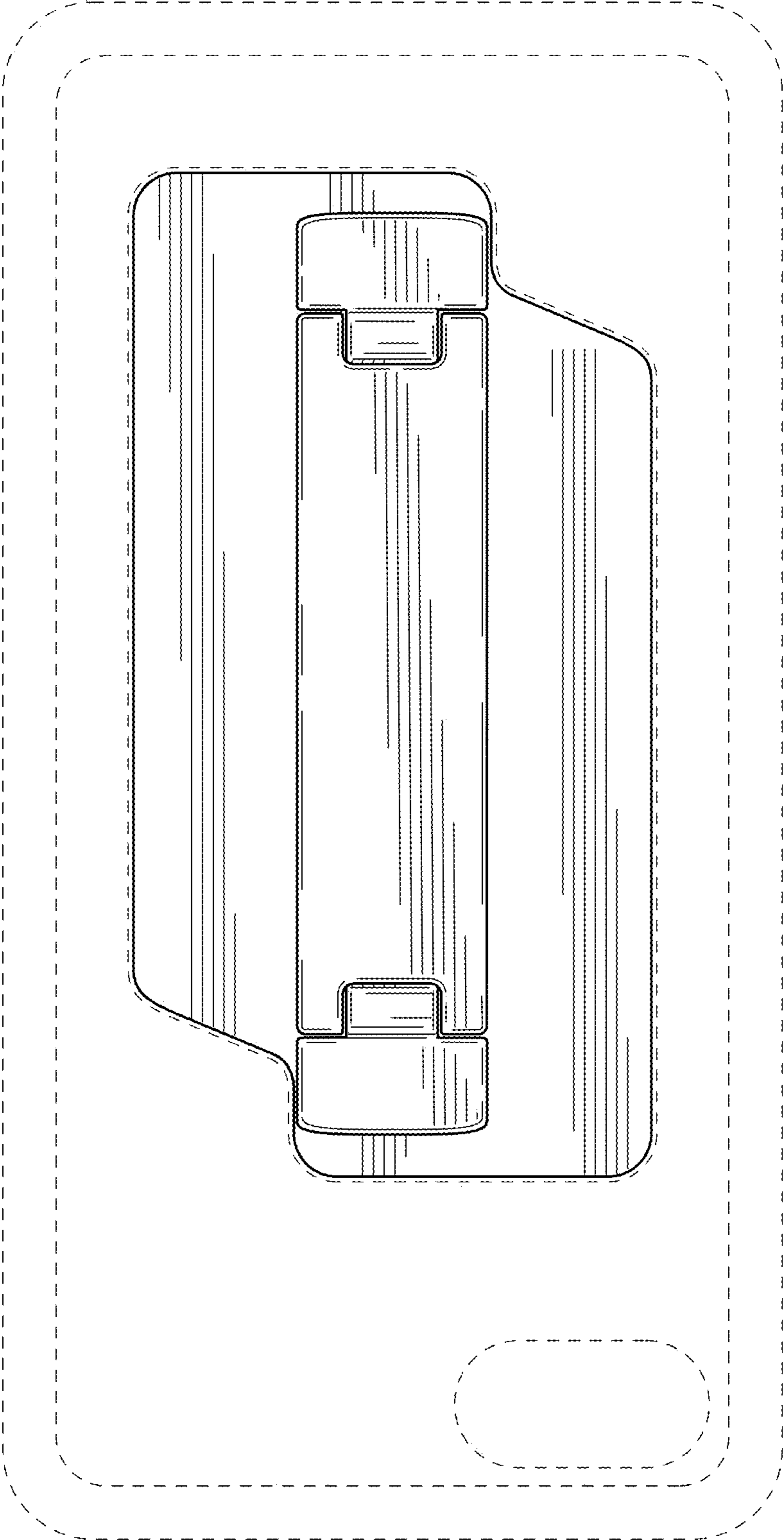


FIG. 3

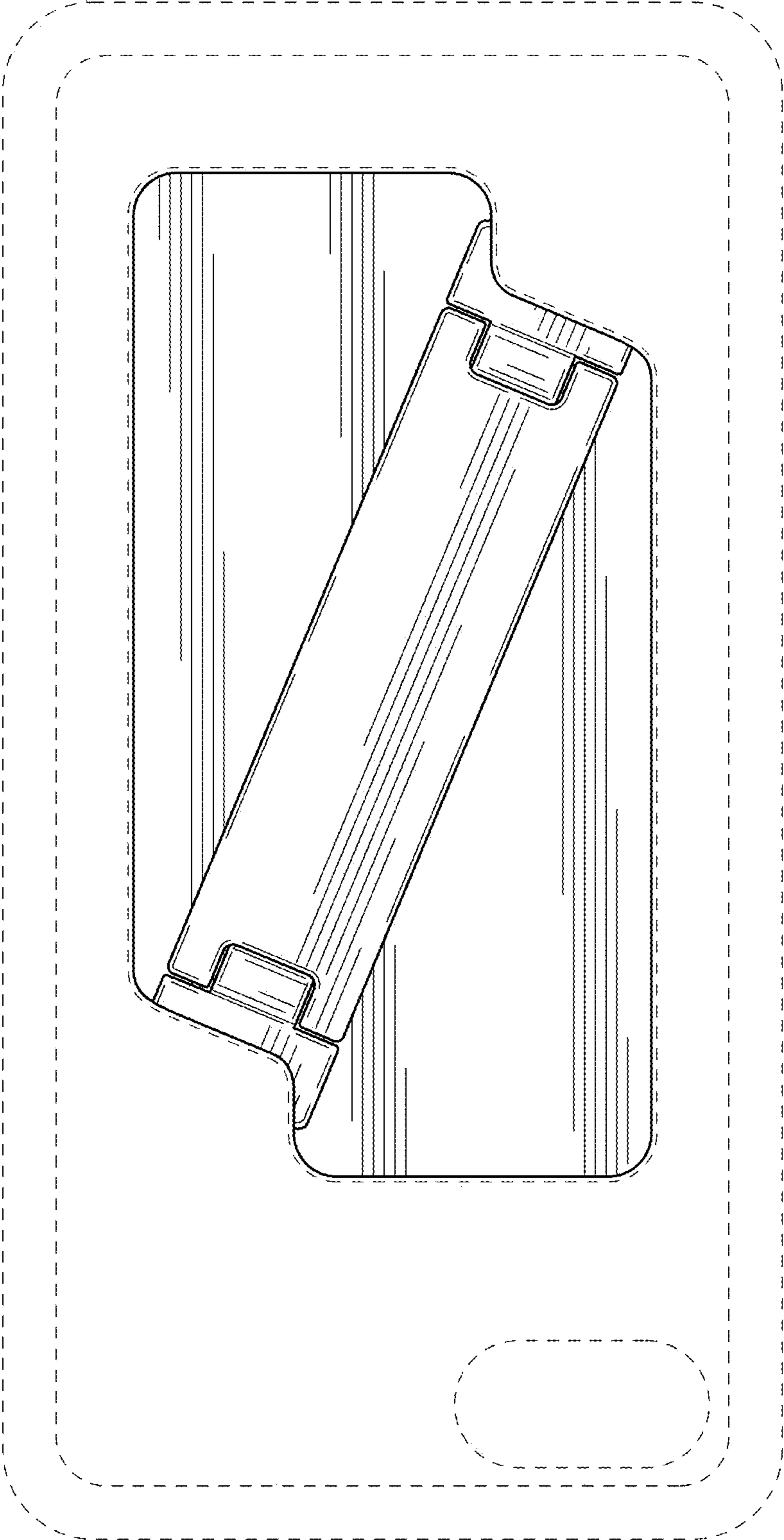


FIG. 4