



US00D952622S

(12) **United States Design Patent** (10) **Patent No.:** **US D952,622 S**  
**Jeon** (45) **Date of Patent:** **\*\* May 24, 2022**

(54) **ROUTER**

(71) Applicant: **Samsung Electronics Co., Ltd.**,  
Suwon-si (KR)

(72) Inventor: **Soyoon Jeon**, Suwon-si (KR)

(73) Assignee: **SAMSUNG ELECTRONICS CO., LTD.**,  
Suwon-si (KR)

(\*\*) Term: **15 Years**

(21) Appl. No.: **29/761,480**

(22) Filed: **Dec. 9, 2020**

(30) **Foreign Application Priority Data**

Oct. 8, 2020 (KR) ..... 30-2020-0048353

(51) **LOC (13) Cl.** ..... **14-03**

(52) **U.S. Cl.**  
USPC ..... **D14/242**

(58) **Field of Classification Search**  
USPC ..... D13/103; D14/240, 242, 348, 349, 250,  
D14/496

CPC ..... H04W 88/02; H05M 1/20545; H04M  
1/0202

See application file for complete search history.

(56) **References Cited**

**U.S. PATENT DOCUMENTS**

D299,336 S *	1/1989	Osanai .....	D14/154
D431,816 S *	10/2000	Beaumont .....	D14/188
D548,629 S	8/2007	Rhine et al.	
D551,650 S	9/2007	DiPasquale	
D693,798 S	11/2013	Chuang et al.	
D711,861 S *	8/2014	Mei .....	D14/250
D742,864 S	11/2015	Kurosawa et al.	
D843,359 S	3/2019	Moon	
D862,434 S *	10/2019	Kwak .....	D14/240
D871,382 S *	12/2019	Kwak .....	D14/240

D886,086 S *	6/2020	Jang .....	D14/240
D891,408 S *	7/2020	Kwak .....	D14/240
D891,409 S *	7/2020	Jeon .....	D14/240
D903,642 S *	12/2020	Moon .....	D14/242
D929,976 S *	9/2021	Kwak .....	D14/240

**FOREIGN PATENT DOCUMENTS**

KR	3020200050584	*	9/2021
KR	3020200048353	*	10/2021
KR	3020200048931	*	10/2021

\* cited by examiner

*Primary Examiner* — Khawaja Anwar

*Assistant Examiner* — Megan Tiana Rakos

(74) *Attorney, Agent, or Firm* — McAndrews Held & Malloy, Ltd.

(57) **CLAIM**

The ornamental design for an router, as shown and described.

**DESCRIPTION**

FIG. 1 is a front perspective view of an router showing my new design;

FIG. 2 is a front elevation view thereof;

FIG. 3 is a rear elevation view thereof;

FIG. 4 is a left side elevation view thereof;

FIG. 5 is a right side elevation view thereof;

FIG. 6 is a top plan view thereof;

FIG. 7 is a bottom plan view thereof;

FIG. 8 is an enlarged view of the portion 8 encircled in FIG. 1; and,

FIG. 9 is an enlarged view of the portion 9 encircled in FIG. 1.

The dashed broken lines in the figures illustrate portions of the router that form no part of the claimed design.

The dot-dot-dash broken lines in the drawings encircling portions of the claimed design that are illustrated in enlargements form no part of the claimed design.

**1 Claim, 9 Drawing Sheets**

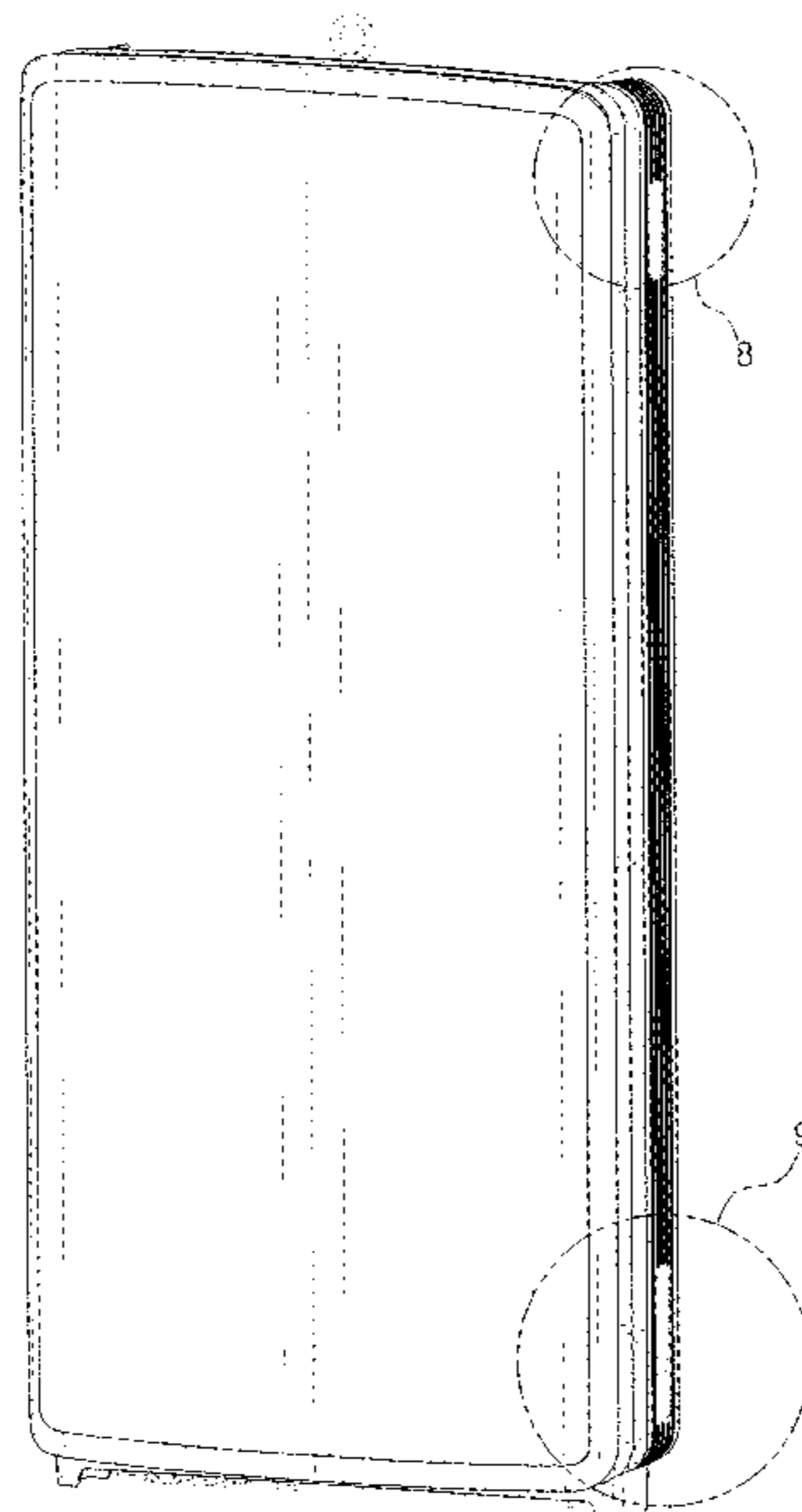


FIG. 1

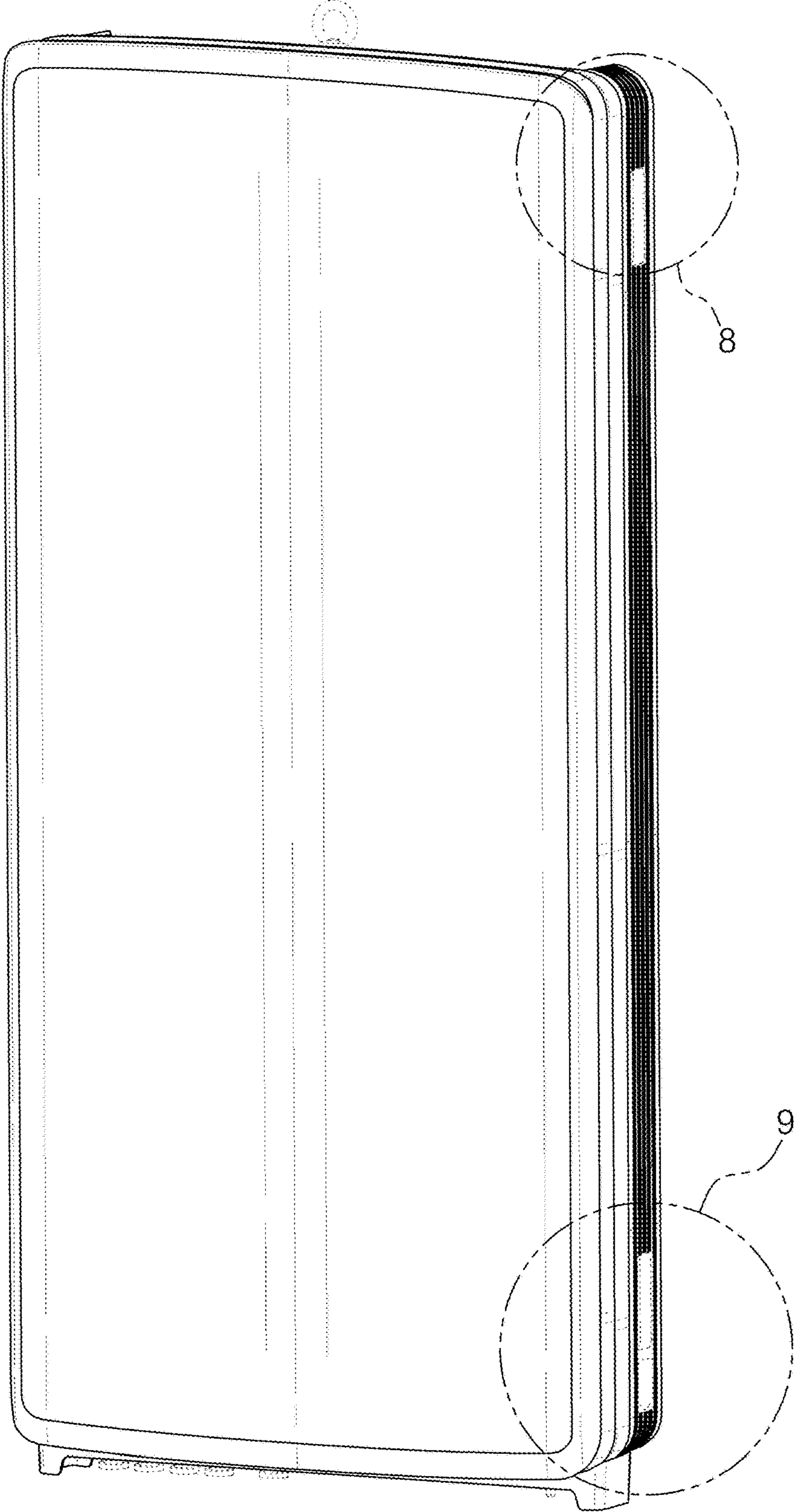


FIG. 2

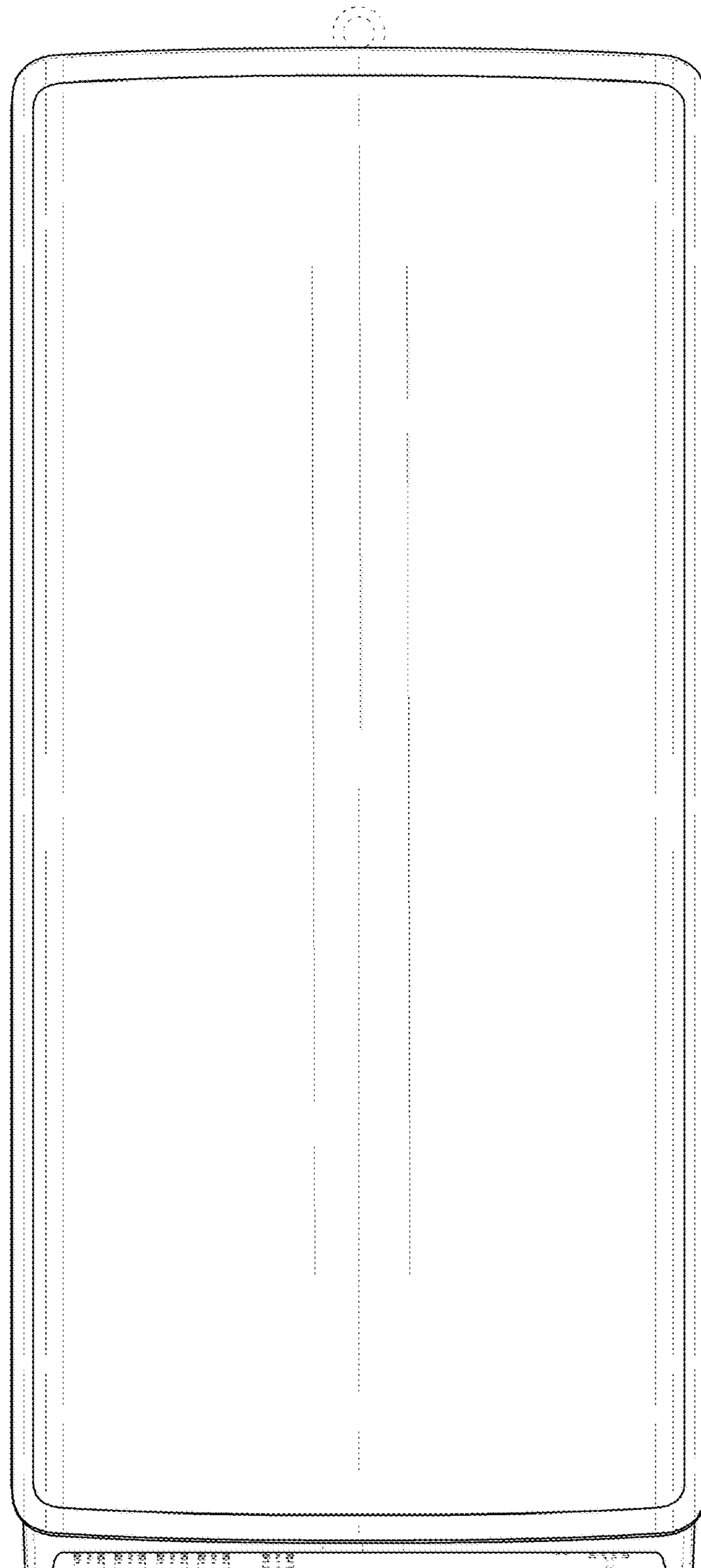


FIG. 3

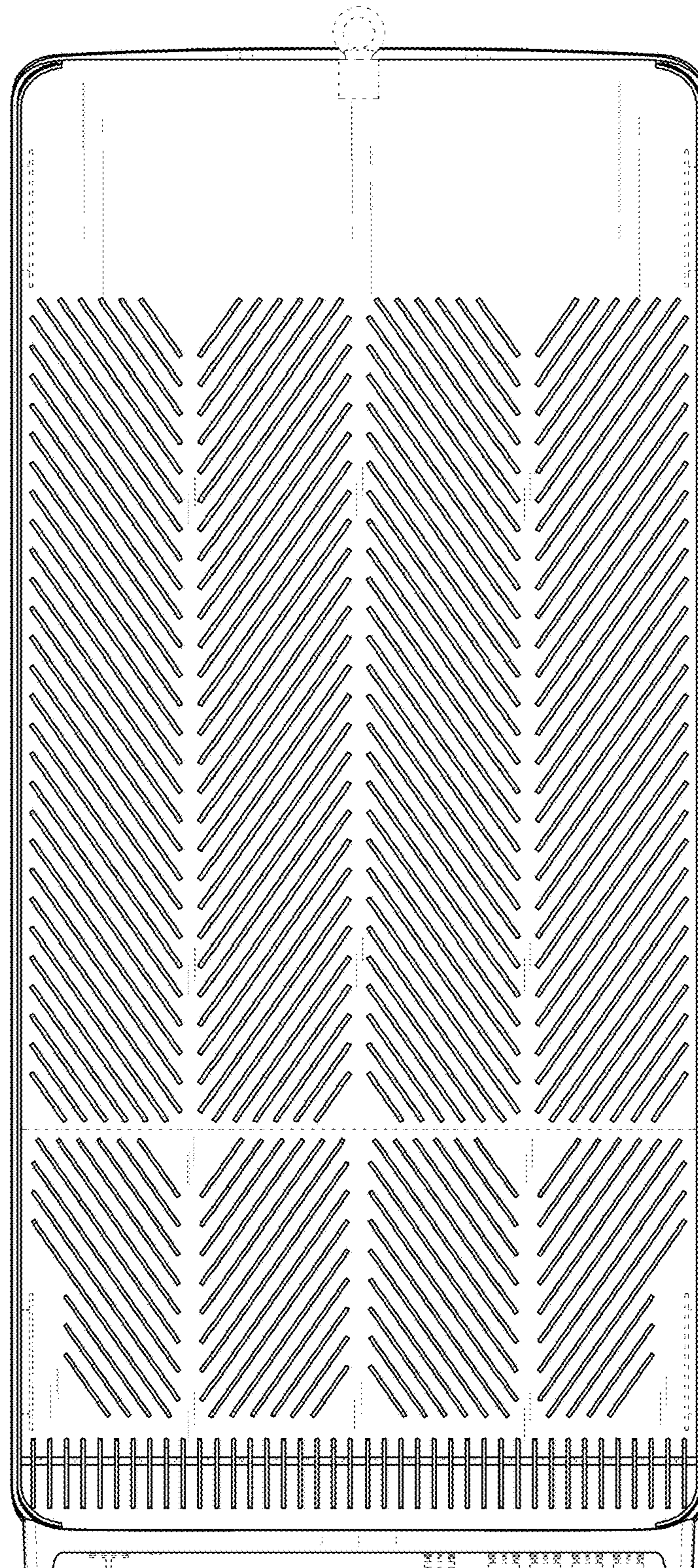


FIG. 4

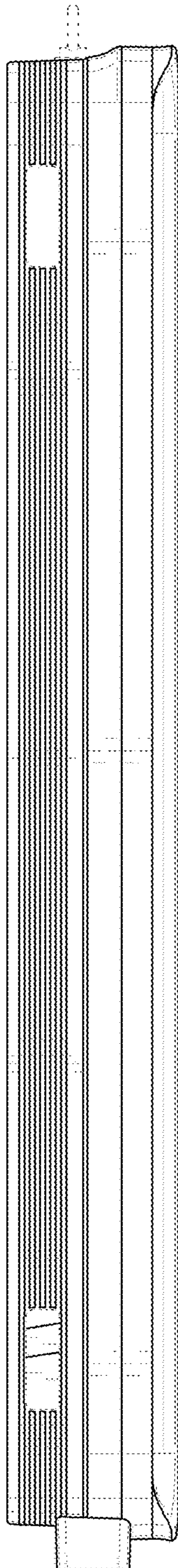


FIG. 5

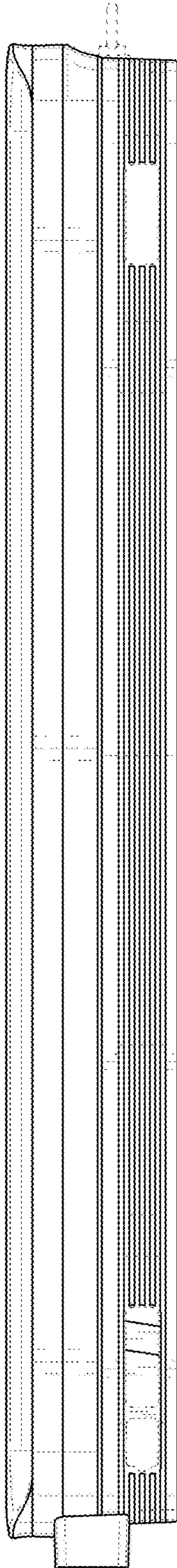


FIG. 6

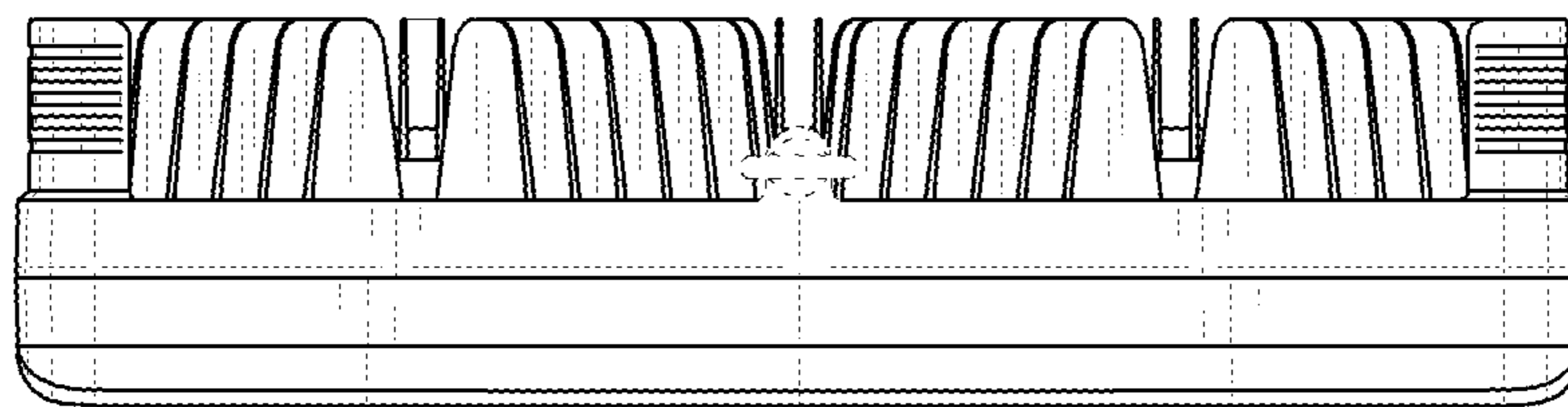


FIG. 7

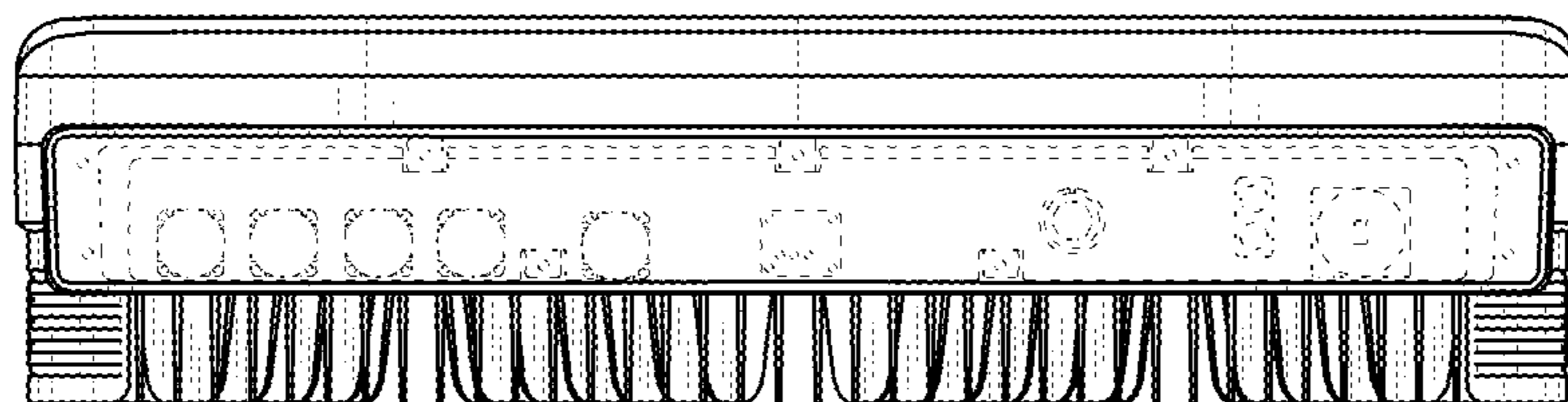




FIG. 8

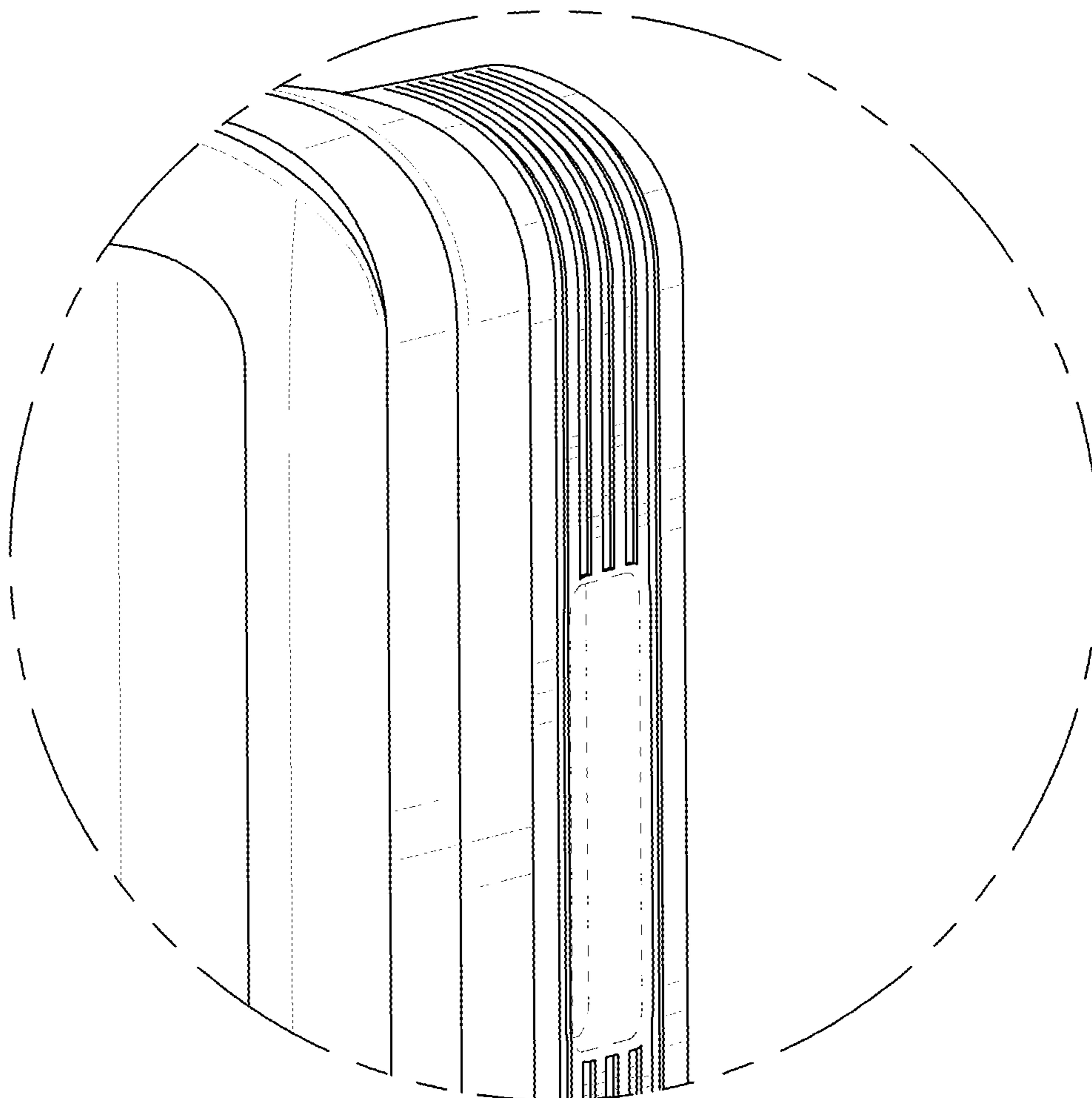


FIG. 9

