



US00D952619S

(12) **United States Design Patent** (10) **Patent No.:** **US D952,619 S**
Kim et al. (45) **Date of Patent:** **** May 24, 2022**

(54) **STAND FOR A TV RECEIVER**

(71) Applicant: **LG ELECTRONICS INC.**, Seoul (KR)

(72) Inventors: **Jongchul Kim**, Seoul (KR); **Seala Park**, Seoul (KR); **Seongahn Jeon**, Seoul (KR)

(73) Assignee: **LG ELECTRONICS INC.**, Seoul (KR)

(**) Term: **15 Years**

(21) Appl. No.: **29/763,342**

(22) Filed: **Dec. 22, 2020**

(30) **Foreign Application Priority Data**

Jul. 8, 2020 (KR) 30-2020-0031231

(51) **LOC (13) Cl.** **14-03**

(52) **U.S. Cl.**
USPC **D14/239**

(58) **Field of Classification Search**

USPC D14/239, 371, 372-374, 447-452, 125, D14/127-129, 335-337, 375-377, 341, D14/126, 211, 238, 447-448; D8/355, D8/363, 373, 380, 366, 376, 377, 354; D6/672, 682, 553, 300, 310-313, 308, D6/708; D25/121, 119
CPC F16M 11/2085; F16M 11/2092; F16M 11/2007; F16M 11/2014; F16M 11/2021; F16M 11/105; F16M 11/10; F16M 11/048; F16M 11/12; F16M 13/022; F16M 13/02; F16M 13/00; F16M 11/04; F16M 2200/08; H04N 5/655; H02G 3/126; A47B 21/0314; A47B 88/044; A47B 21/0335; A47G 1/17;

(Continued)

(56) **References Cited**

U.S. PATENT DOCUMENTS

2,673,636 A * 3/1954 Vermette B25H 1/00 193/42
D292,045 S * 9/1987 McDowell D6/300
(Continued)

OTHER PUBLICATIONS

ONKRON Tripod Easel TV Stand , first available Jan. 19, 2021, amazon.com, [online], [site visited Dec. 15, 2021], Available from internet URL: https://www.amazon.com/dp/B093HFK5TZ/ref=sspa_dk_detail_5?pd_rd_w=epjUE&pf_rd_p=9fd3ea7c-b77c-42ac-b43b-c872d3f37c38&pd_rd_wg=9y%E2%80%A6 (Year: 2021).*

(Continued)

Primary Examiner — Samantha Q Lawrence

Assistant Examiner — Holly M Rodriguez

(74) *Attorney, Agent, or Firm* — Birch, Stewart, Kolasch & Birch, LLP

(57) **CLAIM**

The ornamental design for a stand for a TV receiver, as shown and described.

DESCRIPTION

FIG. 1 is a front, right side, perspective view of a stand for a TV receiver showing our new design;
FIG. 2 is a front view thereof;
FIG. 3 is a rear view thereof;
FIG. 4 is a left side view thereof;
FIG. 5 is a right side view thereof;
FIG. 6 is a top view thereof;
FIG. 7 is a bottom view thereof;
FIG. 8 is a reference view showing the state in which the subject design is installed on the TV receiver thereof; and,

(Continued)

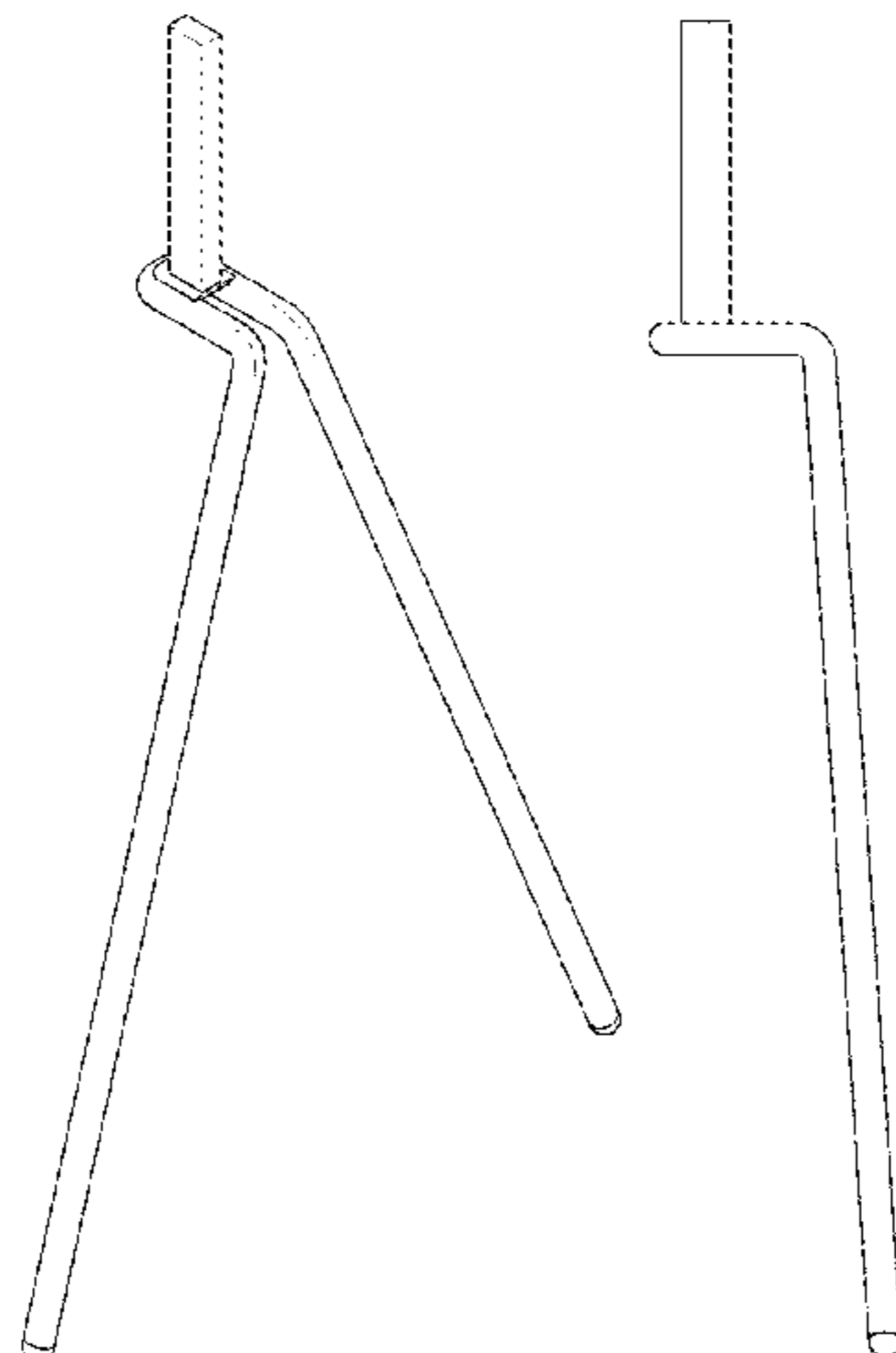


FIG. 9 is a reference view showing the state in which the subject design can be separated from or combined with the TV receiver.

The broken lines shown in FIGS. 8 and 9 that show the tv receiver illustrate environment and form no part of the claimed design.

1 Claim, 8 Drawing Sheets

(58) Field of Classification Search

CPC . A47K 2201/001; F16B 47/00; F16B 47/006
See application file for complete search history.

(56) References Cited

U.S. PATENT DOCUMENTS

7,832,701	B2 *	11/2010	Barnes	A47B 97/08 248/460
D716,777	S *	11/2014	Kim	D14/239
D725,661	S *	3/2015	Snyder	D14/451
D761,238	S *	7/2016	Ann	D14/239
D766,879	S *	9/2016	Park	D14/224
D791,094	S *	7/2017	Han	D14/126

D801,733	S *	11/2017	Han	D6/676
D808,940	S *	1/2018	Debaigue	D14/239
D818,998	S *	5/2018	Lee	D14/239
D818,999	S *	5/2018	Kim	D14/239
D819,000	S *	5/2018	Ryu	D14/239
D819,617	S *	6/2018	Hubert	D14/239
D840,381	S *	2/2019	Lee	D14/239
D846,555	S *	4/2019	Park	D14/451
D855,593	S *	8/2019	Seong	D14/239
D865,699	S *	11/2019	Kim	D14/126
D894,140	S *	8/2020	Kim	D14/126
D897,325	S *	9/2020	Lee	D14/239
D905,652	S *	12/2020	Lee	D14/126
D916,964	S *	4/2021	Pereira	D19/113
D924,213	S *	7/2021	Choi	D14/239
D924,858	S *	7/2021	Choi	D14/239

OTHER PUBLICATIONS

Universal TV Stand, Base Table Top TV Stand, first available Jan. 23, 2019, amazon.com, [online], [site visited Dec. 15, 2021], Available from internet URL: https://www.amazon.com/Pedestal-Televisions-Mounting-Distance-Between/dp/B07N1TMNHB/ref=bmx_dp_f05hr99o_18/137-2904486-8021366?pd_r%E2%80%A6 (Year: 2019).*

* cited by examiner

FIG. 1

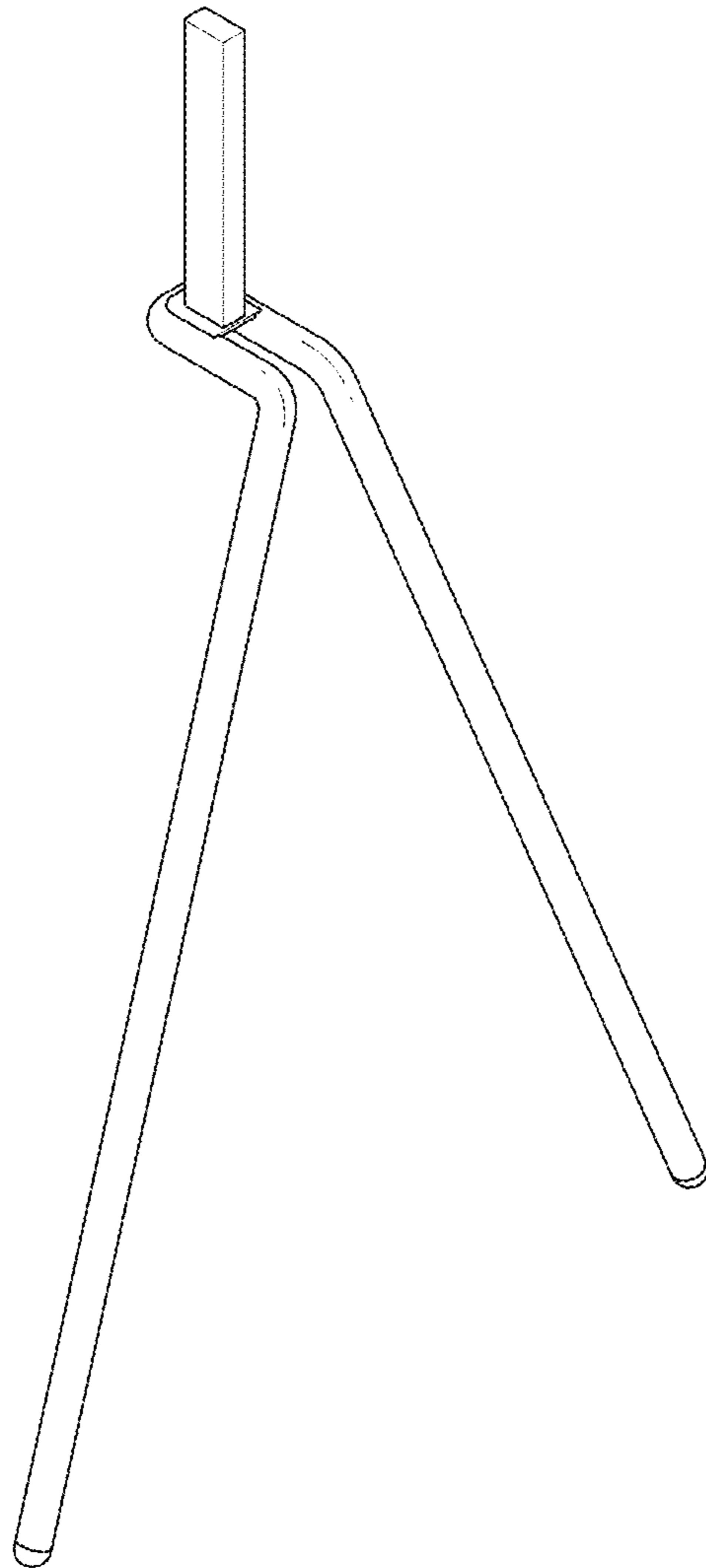


FIG. 2

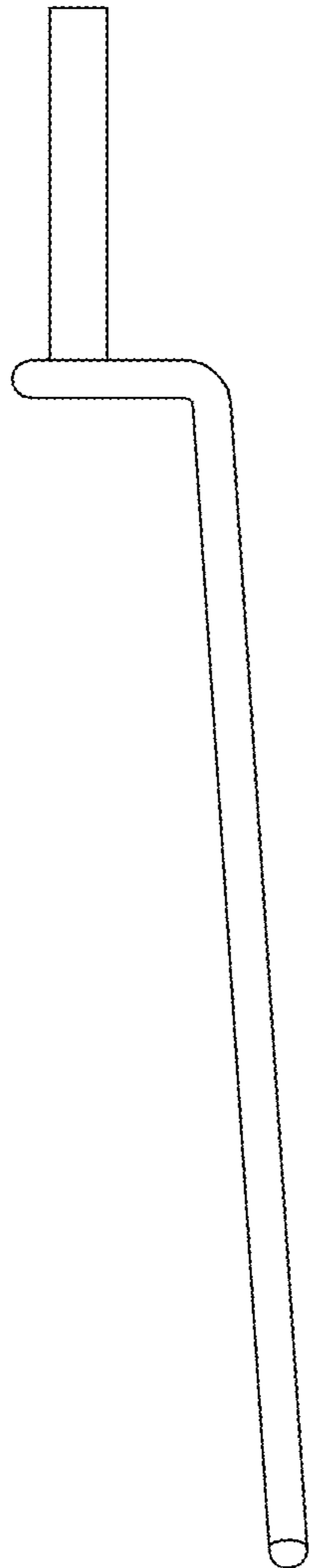


FIG. 3

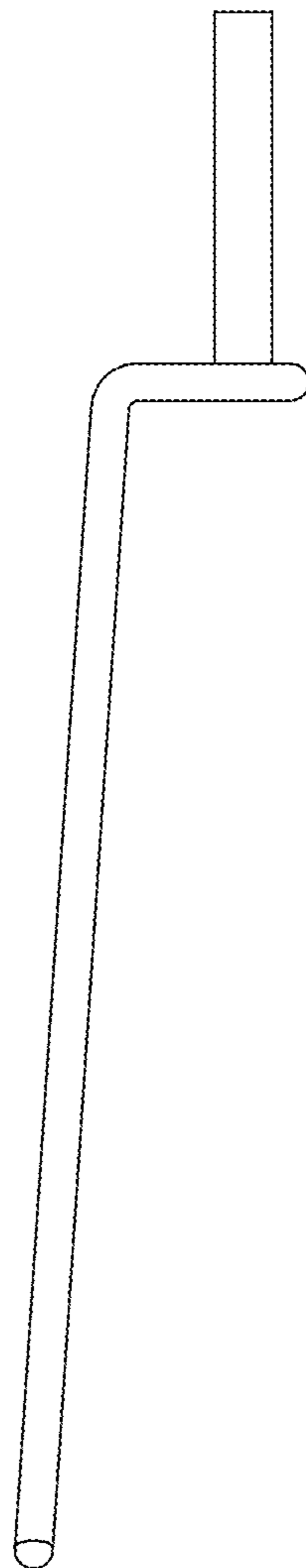


FIG. 4

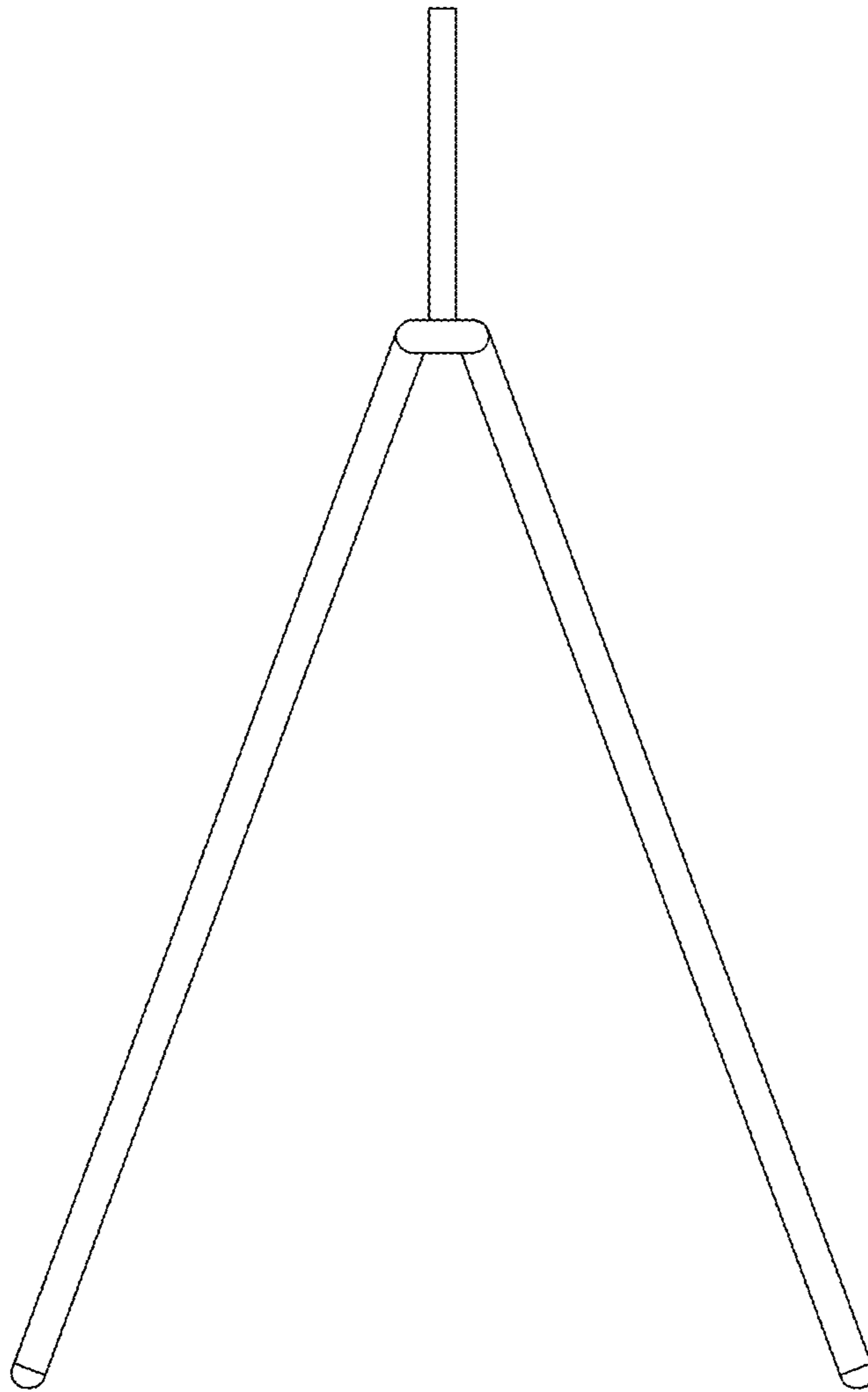


FIG. 5

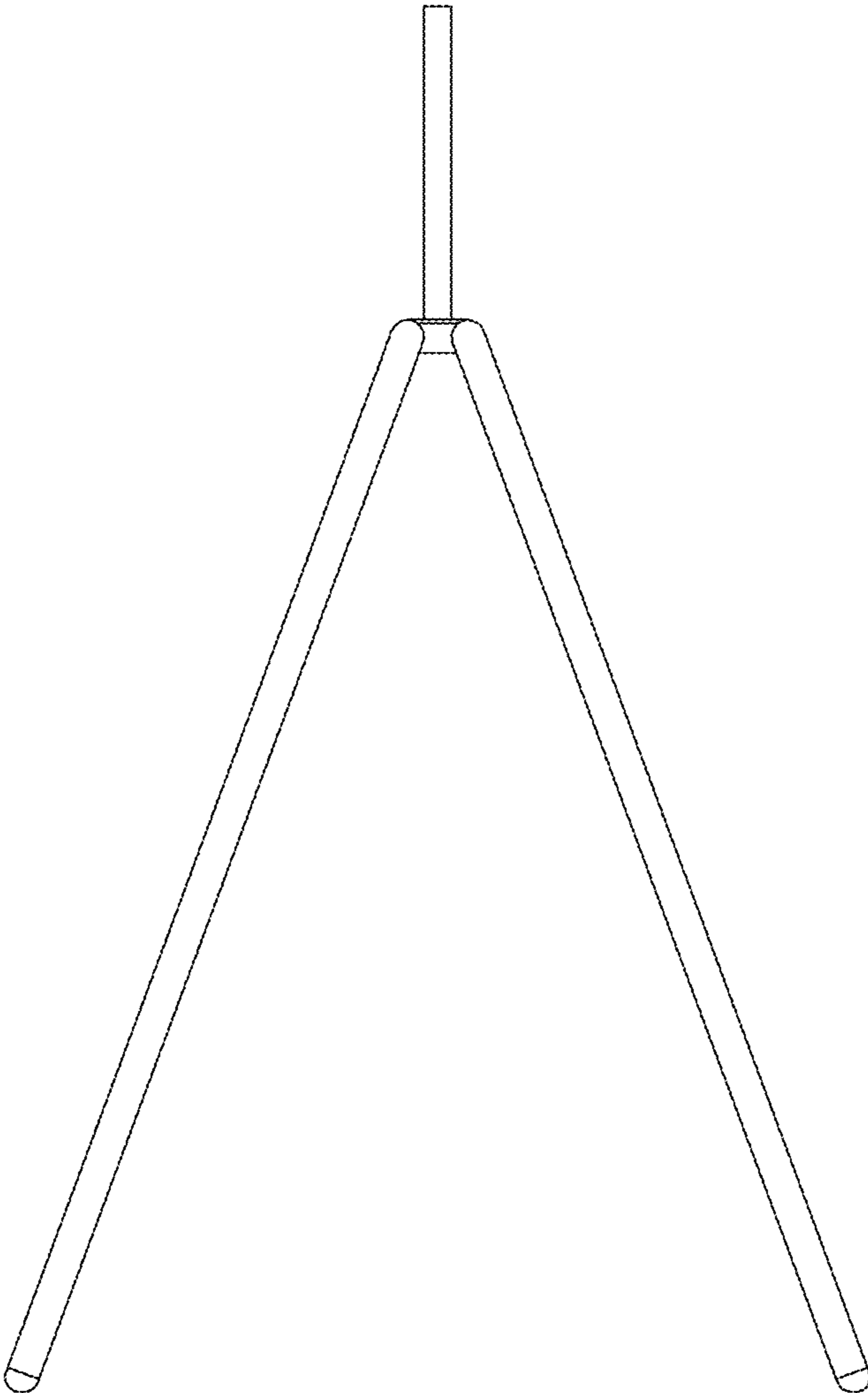


FIG. 6

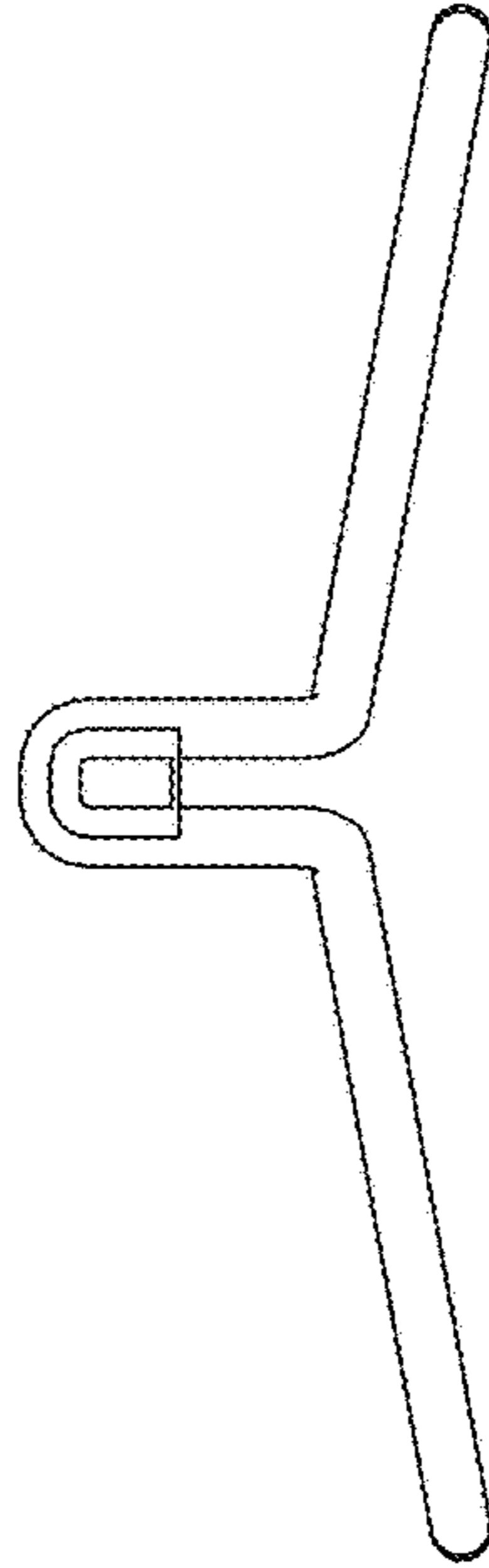


FIG. 7

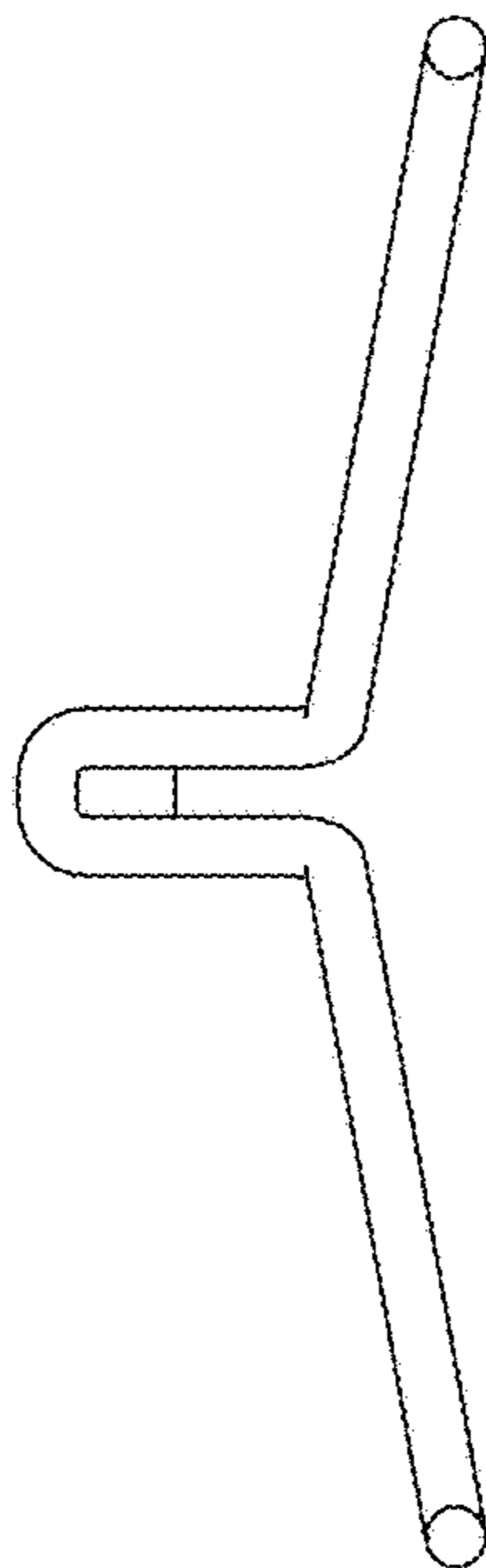


FIG. 8

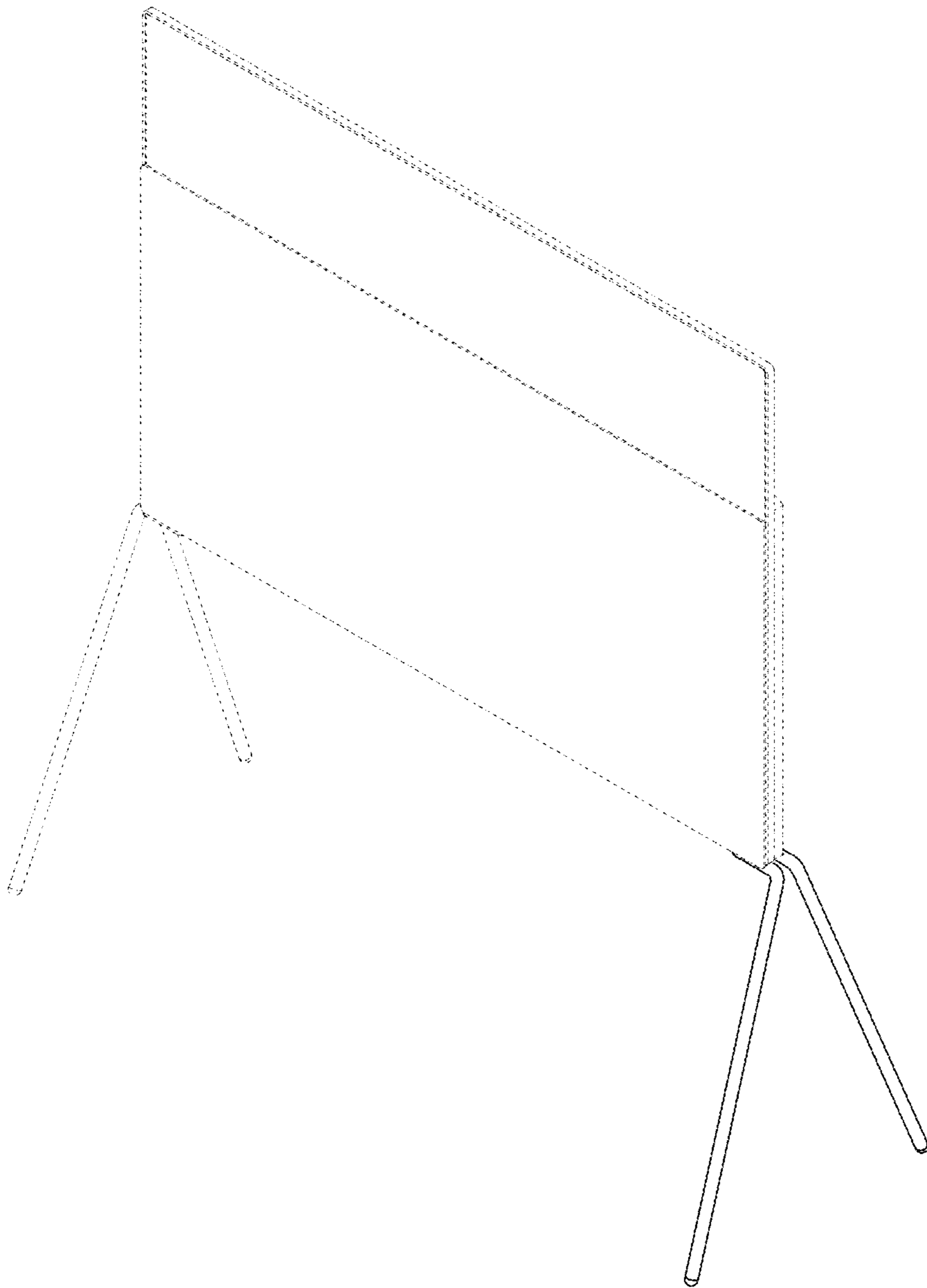


FIG. 9

