



US00D952618S

(12) **United States Design Patent** (10) **Patent No.:** **US D952,618 S**
Pei (45) **Date of Patent:** **** May 24, 2022**

(54) **DISPLAY MOUNT**

FOREIGN PATENT DOCUMENTS

(71) Applicant: **XINADDA (HONG KONG) LIMITED**, Hong Kong (CN)

CN 302341285 * 3/2013
CN 304630286 * 5/2018

(72) Inventor: **Xu Bo Pei**, Guangdong (CN)

OTHER PUBLICATIONS

(73) Assignee: **XINADDA (HONG KONG) LIMITED**, Hong Kong (CN)

Amazon. Link: https://www.amazon.com/USX-MOUNT-Bracket-Universal-Capacity/dp/B097CSLRT1/ref=sr_1_1?crd=1LLIF144E0B7M&keywords=B097CSLRT1&qid=1642173565&s=electronics&sprefix=b097cslrt1%2Celectronics%2C67&sr=1-1. Jun. 17, 2021. USX Mount TV Wall Bracket. (Year: 2021).*

(**) Term: **15 Years**

(Continued)

(21) Appl. No.: **29/760,098**

(22) Filed: **Nov. 29, 2020**

Primary Examiner — Lauren D McVey

(74) *Attorney, Agent, or Firm* — JCIP Global Inc.

(30) **Foreign Application Priority Data**

Nov. 5, 2020 (CN) 202030668079.1

(51) **LOC (13) Cl.** **14-03**

(52) **U.S. Cl.**
USPC **D14/239**

(58) **Field of Classification Search**

USPC D14/239, 371, 372, 373, 374, 375, 376,
D14/377, 447-450, 451, 452, 335-337,
D14/125, 127, 128, 129, 341, 126;
D8/355, 363, 373; D6/672, 682
CPC F16M 11/2085; F16M 11/2092; F16M
11/2007; F16M 11/2014; F16M 11/2021;
F16M 11/105; F16M 11/048; F16M
11/12; F16M 13/022; F16M 11/10
See application file for complete search history.

(56) **References Cited**

U.S. PATENT DOCUMENTS

D517,085 S * 3/2006 Deuschle D14/451
D528,901 S * 9/2006 David D8/373
D532,290 S * 11/2006 David D8/373
D671,922 S * 12/2012 Sexton D14/239
D684,566 S * 6/2013 Sexton D14/239
D905,070 S * 12/2020 Pei D14/451
D913,998 S * 3/2021 Pei D14/239

(Continued)

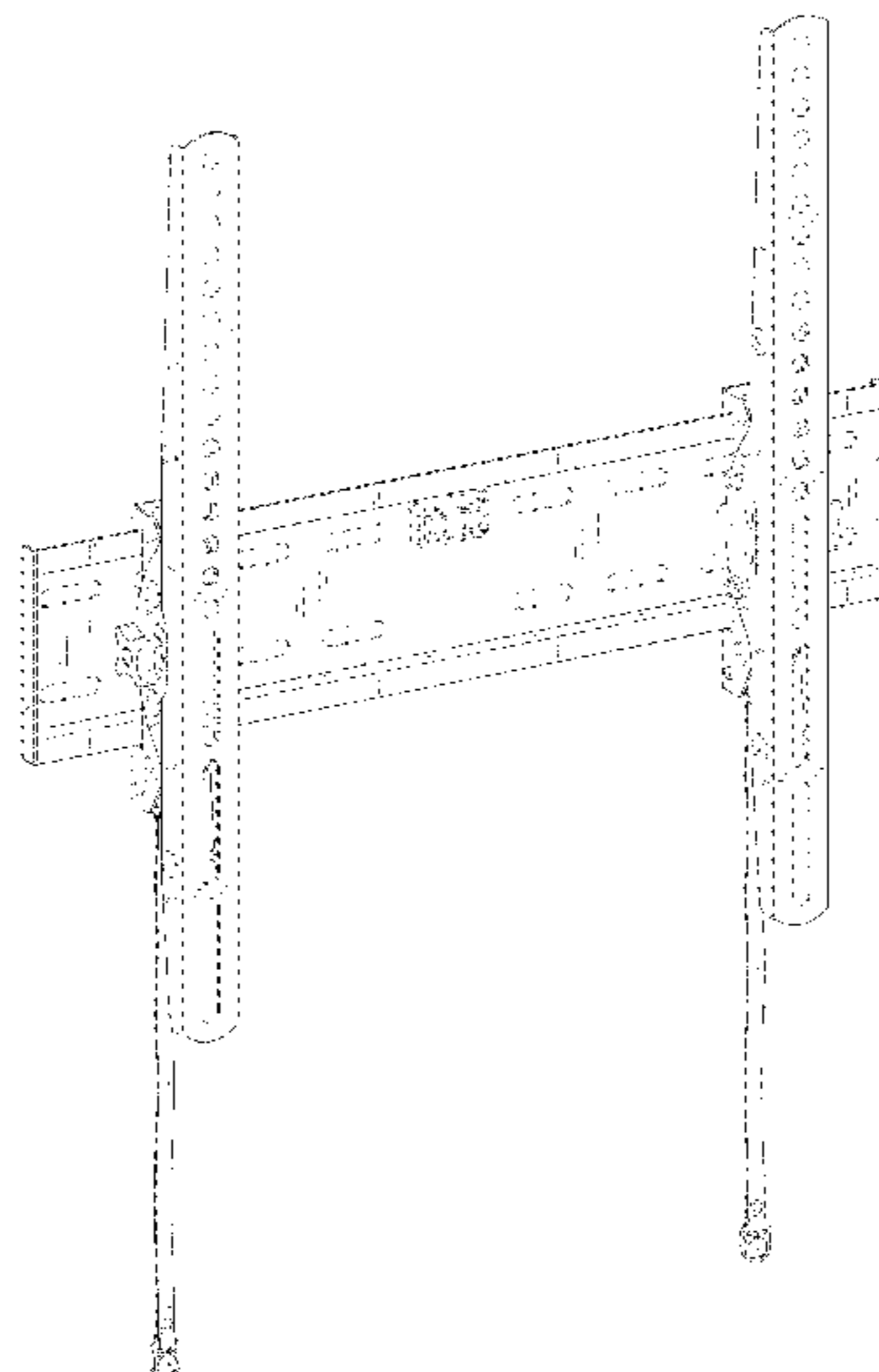
(57) **CLAIM**

The ornamental design for a display mount, as shown and described.

DESCRIPTION

FIG. 1 is a first perspective view of a display mount showing my new design;
FIG. 2 is a second perspective view of FIG. 1;
FIG. 3 is a front view of FIG. 1;
FIG. 4 is a rear view of FIG. 1;
FIG. 5 is a left side view of FIG. 1;
FIG. 6 is a right side view of FIG. 1;
FIG. 7 is a top view of FIG. 1;
FIG. 8 is a bottom view of FIG. 1;
FIG. 9 is a third perspective view of the display mount, wherein vertical brackets of the display mount are tilted; and,
FIG. 10 is a fourth perspective view of the display mount, wherein vertical brackets of the display mount are tilted in an alternate state.
The broken lines immediately adjacent to the claim depict the bounds of the claimed design, while all other broken lines are directed to the environment. The broken lines form no part of the claimed design.

1 Claim, 8 Drawing Sheets



(56)

References Cited

U.S. PATENT DOCUMENTS

D915,366 S *	4/2021	Shu	D14/239
2006/0065806 A1 *	3/2006	Shin	G09F 7/20
			248/325
2006/0231711 A1 *	10/2006	Shin	F16M 11/10
			248/291.1
2008/0073471 A1 *	3/2008	Beger	F16M 13/02
			248/309.1
2008/0078907 A1 *	4/2008	Huang	F16M 13/02
			248/276.1
2017/0261154 A1 *	9/2017	Feldman	F16M 11/041

OTHER PUBLICATIONS

Amazon. Link: https://www.amazon.com/AmazonBasics-Heavy-Duty-Tilting-37-inch-80-inch/dp/B01KBEOAIW/ref=pb_rfob_btf_desktop_6/130-1438241-2436630?p%2E%80%A6. Oct. 26, 2016. Amazon Basics Heavy-Duty Tilting TV Wall Mount. (Year: 2016).*

Amazon. Link: https://www.amazon.com/Tilting-Bracket-Profile-Plasma-400x400mm/dp/B01JRNIWJG/ref=pd_bxgy_1/133-7004299-7296243?pd_rd_w=cLplv&pf_rd%2E%80%A6. Jun. 13, 2017. Perlesmith Tilting TV Wall Mount Bracket (Year: 2017).*

Amazon. Link: https://www.amazon.com/Tilting-Bracket-Profile-Plasma-400x400mm/dp/B08JTZ4NV6/ref=asc_df_B01JRNIWJG/?tag=hyprod-20&linkCode=df0&hva%2E%80%A6=undefined&th=1. Apr. 16, 2021. Perlesmith Tilting TV Wall Mount Bracket Low Profile. (Year: 2021).*

* cited by examiner

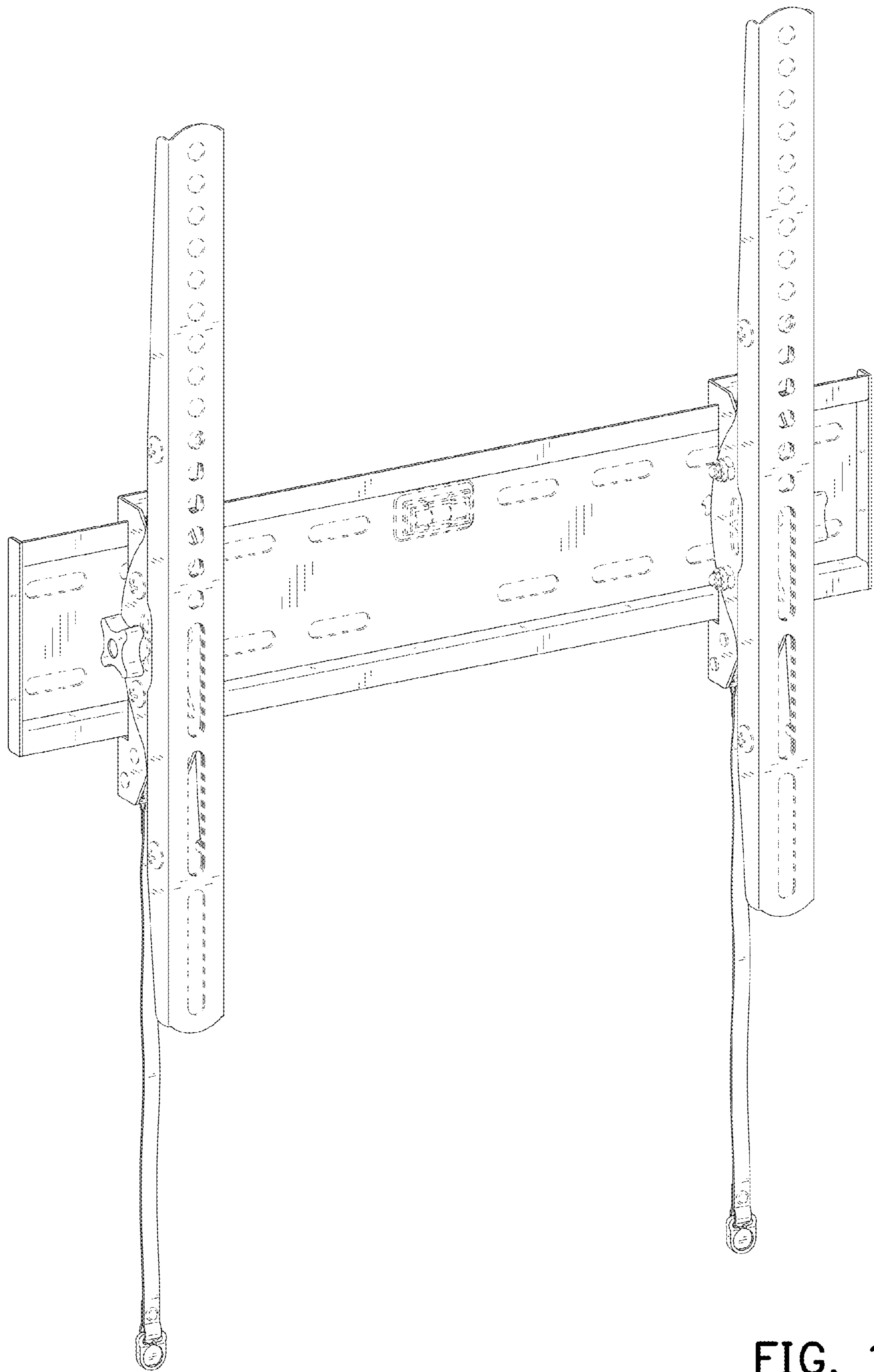


FIG. 1

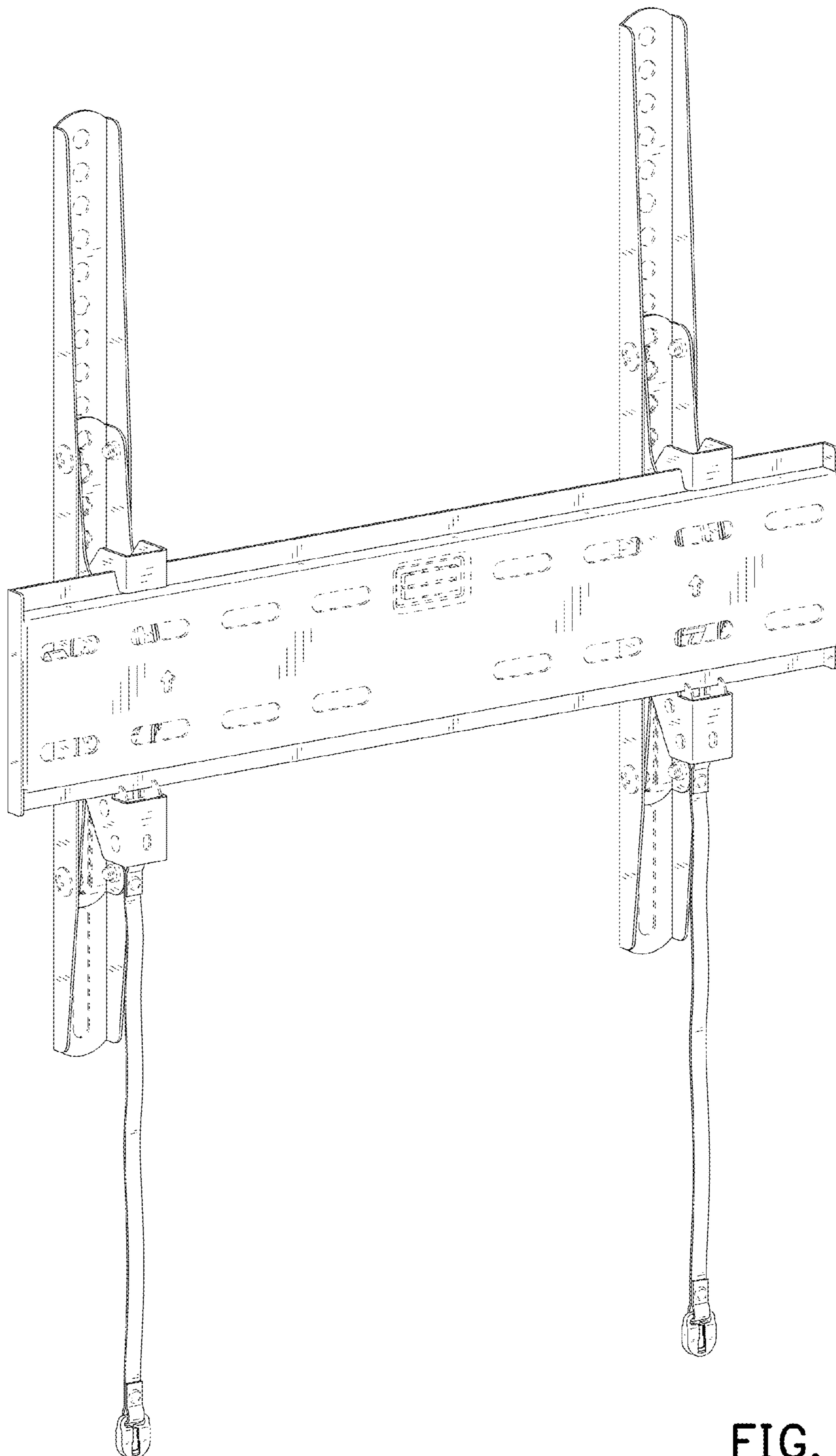


FIG. 2

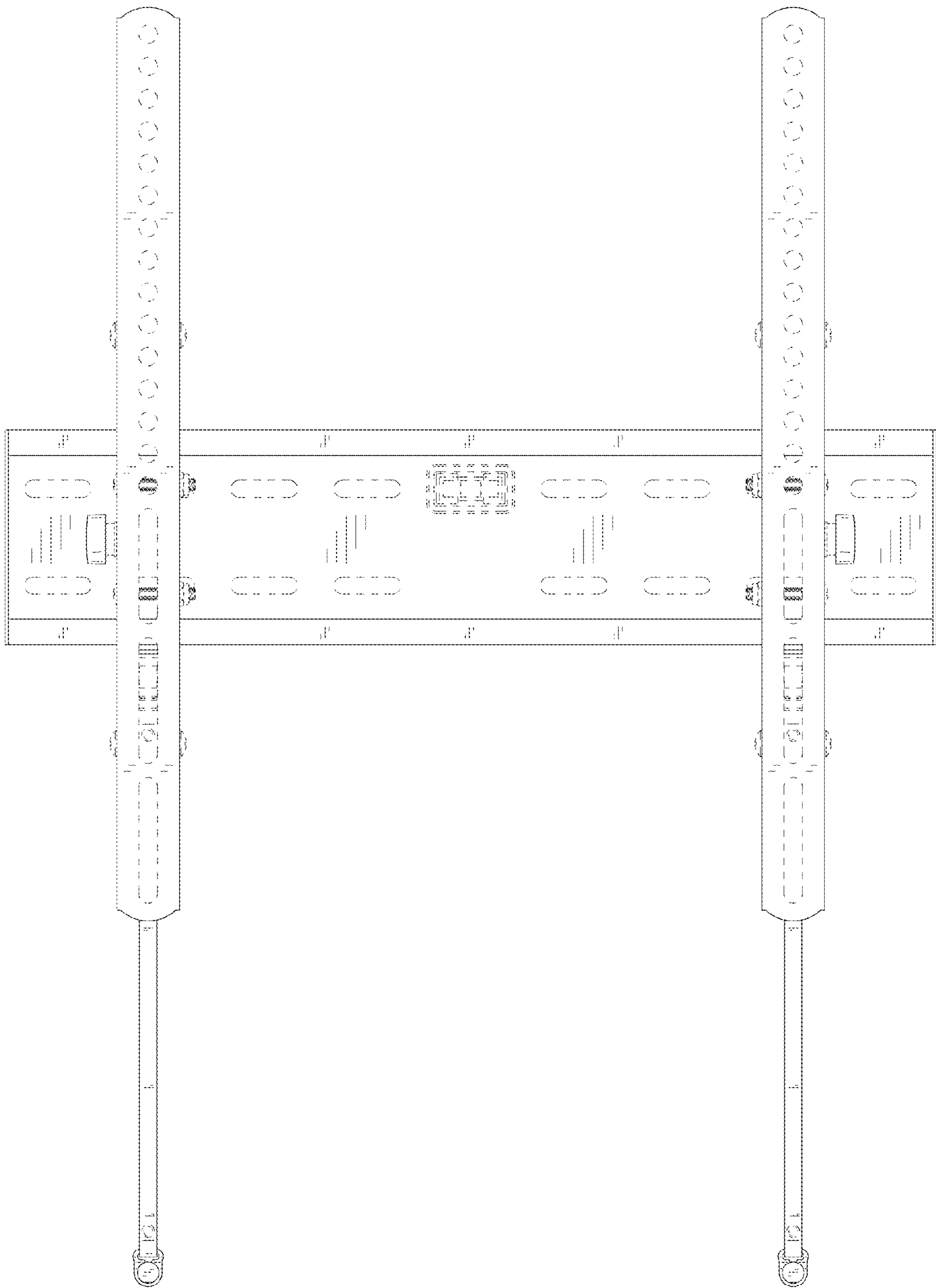


FIG. 3

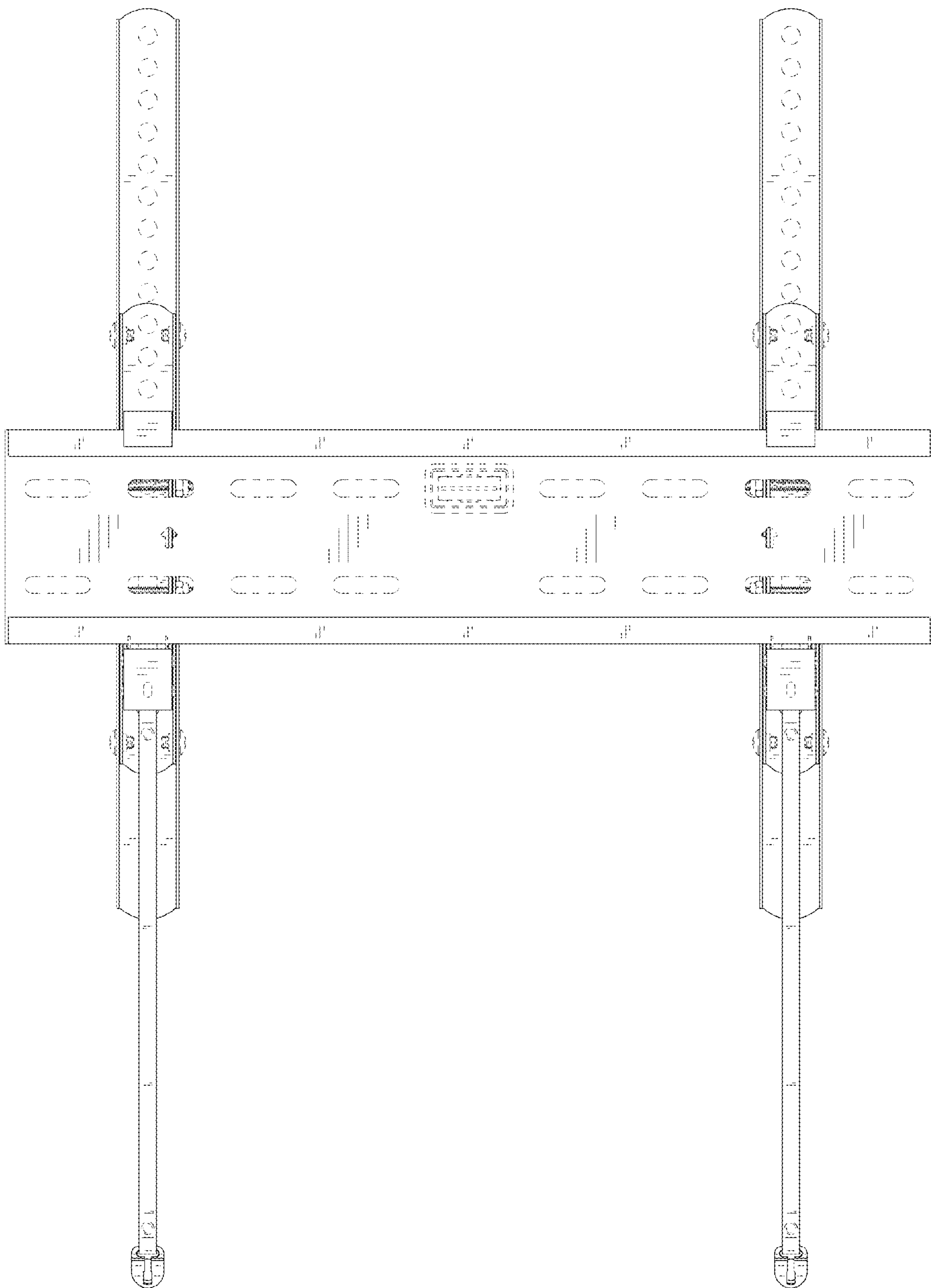


FIG. 4

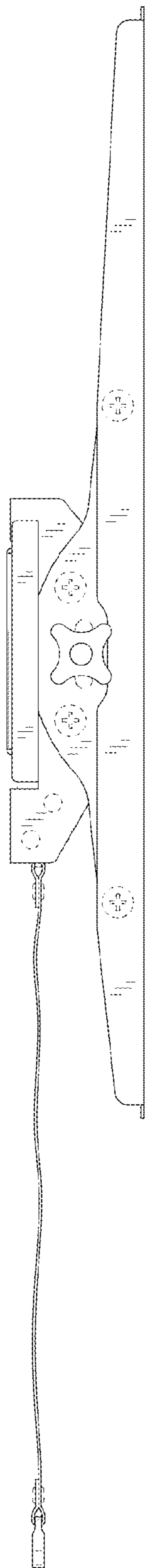


FIG. 5

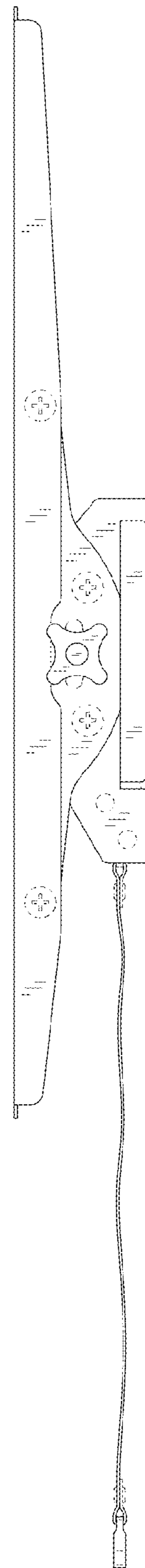


FIG. 6

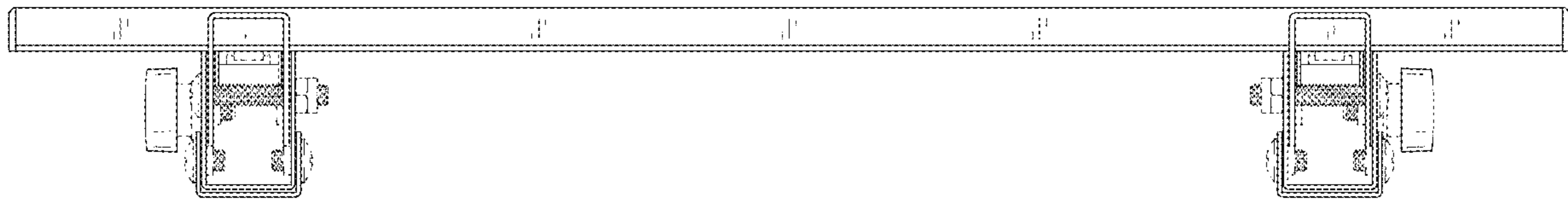


FIG. 7

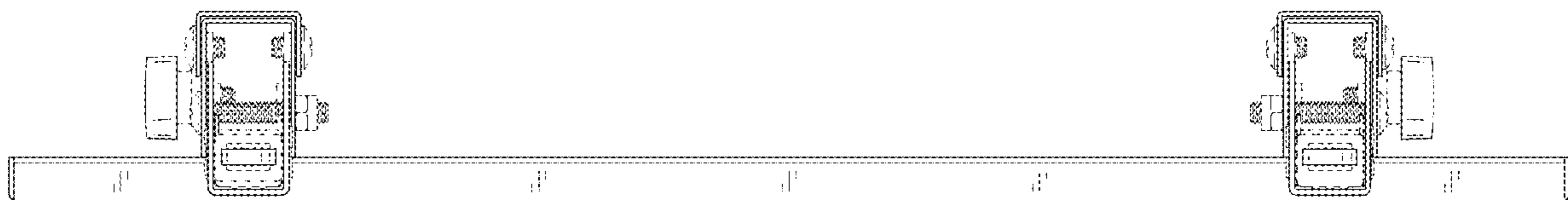


FIG. 8

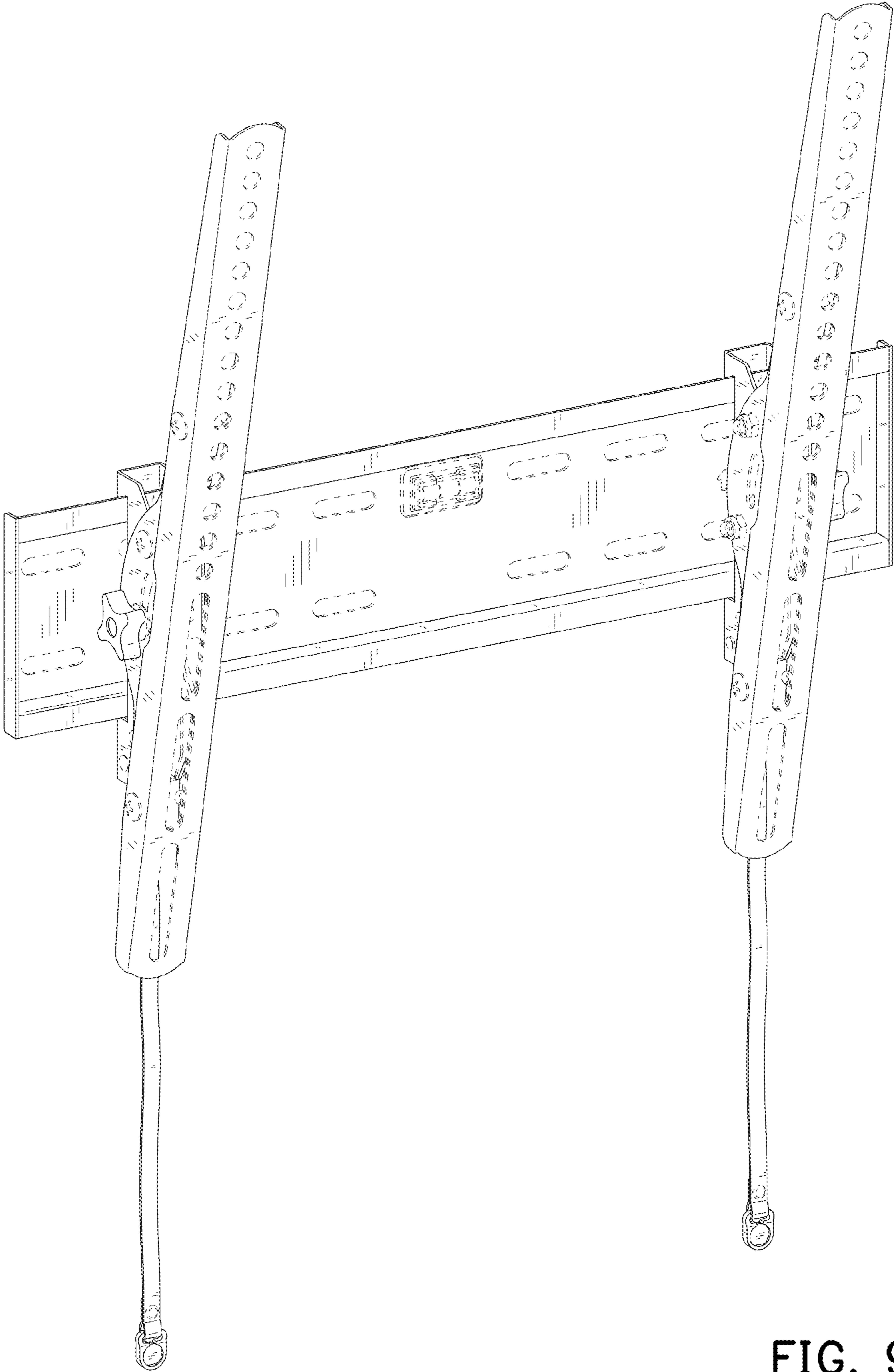


FIG. 9

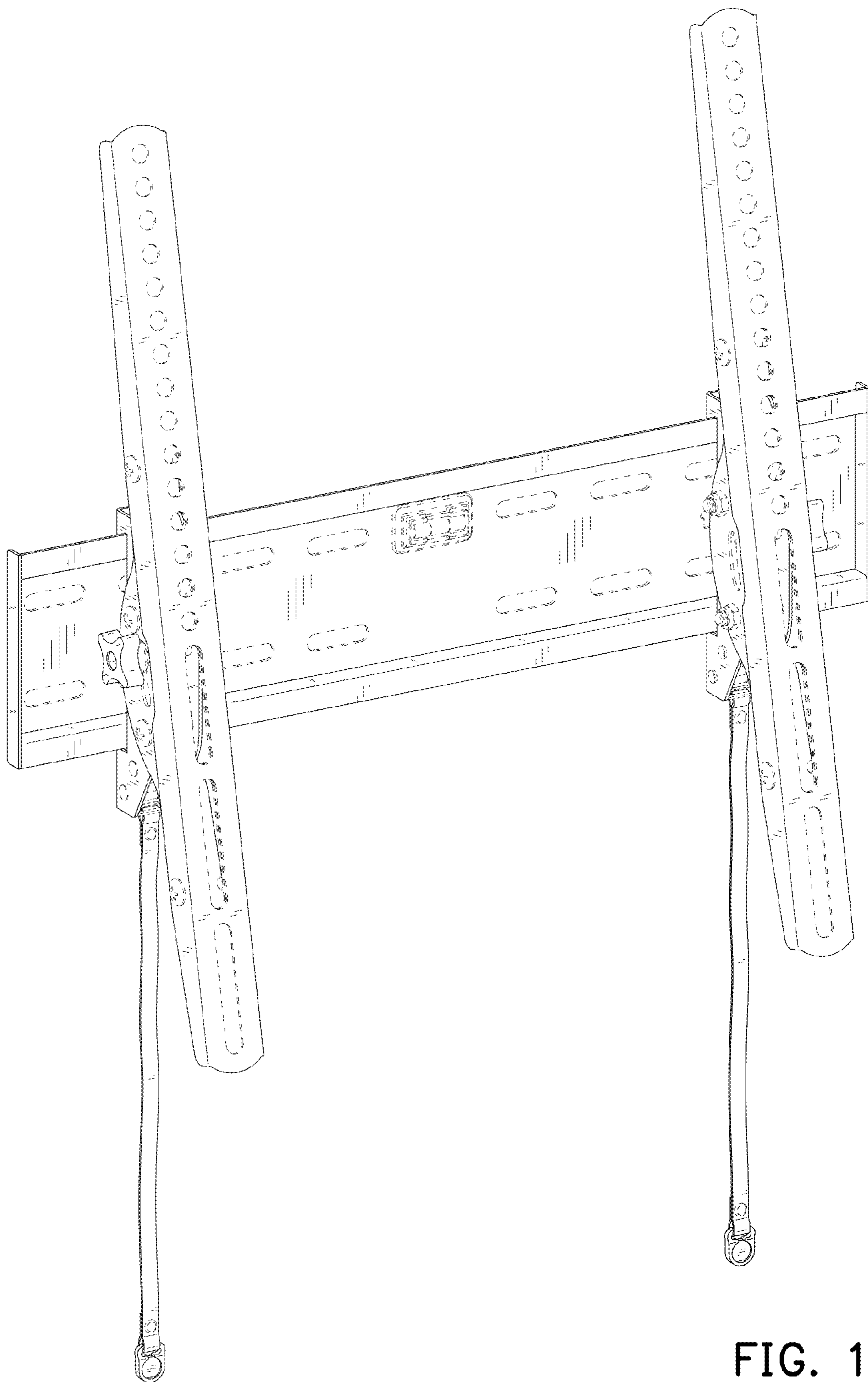


FIG. 10