



US00D952617S

(12) **United States Design Patent** (10) **Patent No.:** **US D952,617 S**
Herpers et al. (45) **Date of Patent:** **** May 24, 2022**

(54) **WALL MOUNT SUPPORT**

(71) Applicant: **Vogel's Holding B.V.**, Eindhoven (NL)

(72) Inventors: **Tom Herpers**, Eindhoven (NL); **Stefan Luijben**, Helmond (NL)

(73) Assignee: **Vogel's IP B.V.**

(**) Term: **15 Years**

(21) Appl. No.: **29/750,809**

(22) Filed: **Sep. 16, 2020**

(30) **Foreign Application Priority Data**

Mar. 16, 2020 (EM) 007757174-0001

(51) **LOC (13) Cl.** **14-03**

(52) **U.S. Cl.**

USPC **D14/239**

(58) **Field of Classification Search**

USPC D14/204, 209.1, 211, 221, 224-225,
D14/227-228, 239, 371, 372, 373, 374,
D14/447-452, 125, 127, 128, 129,
D14/335-337, 375, 376, 377, 341, 126;
D8/355, 363, 373; D6/672, 682

CPC F16M 11/2085; F16M 11/2092; F16M
11/2007; F16M 11/2014; F16M 11/2021;
F16M 11/105; F16M 11/10; F16M
11/048; F16M 11/12; F16M 13/022;
H04R 9/06; H04R 1/24; H04R 11/02;
H04R 2400/00

See application file for complete search history.

(56) **References Cited**

U.S. PATENT DOCUMENTS

D493,800 S * 8/2004 Pfister D14/451
D517,085 S * 3/2006 Deuschle D14/451
D588,118 S * 3/2009 Townsend D14/239
D671,922 S * 12/2012 Sexton D14/239
D691,121 S * 10/2013 Luijben D14/239
D904,361 S * 12/2020 Pei D14/239

D905,070 S * 12/2020 Pei D14/451
D913,998 S * 3/2021 Pei D14/239
2021/0059413 A1* 3/2021 Pei F16M 11/10

OTHER PUBLICATIONS

WALL 3205 Fixed TV Wall Mount, first available 2018, vogels.com, [online], [site visited Oct. 19, 2021], Available from internet URL: <https://www.vogels.com/en-us/c/wall-series-fixed?product=4158> (Year: 2018).*

Vogel's WALL 3305 ultra strong flat TV wall bracket, first available Aug. 30, 2018, amazon.ae, [online], [site visited Feb. 6, 2021], Available from internet URL: https://www.amazon.ae/Vogels-WALL-3305-Universal-compatibility/dp/B076PHNTWG/ref=pd_sbs_7/262-8673280-5141250?pd_rd_w=ISwqM&pf_rd_%E2%80%A6 (Year: 2018).*

Vogel's Superflat L EFW 8305, first available Sep. 29, 2017, amazon.com, [online], [site visited Oct. 19, 2021], Available from internet URL: https://www.amazon.ae/Vogels-Superflat-EFW-8305-dolphin/dp/B0028YQOYC/ref=pd_rhf_se_s_pd_crtd_22/262-8673280-5141250?pd_rd_w=k8ME8%E2%80%A6&th=1 (Year: 2017).*

* cited by examiner

Primary Examiner — Samantha Q Lawrence

Assistant Examiner — Holly M Rodriguez

(74) *Attorney, Agent, or Firm* — Miller & Martin PLLC

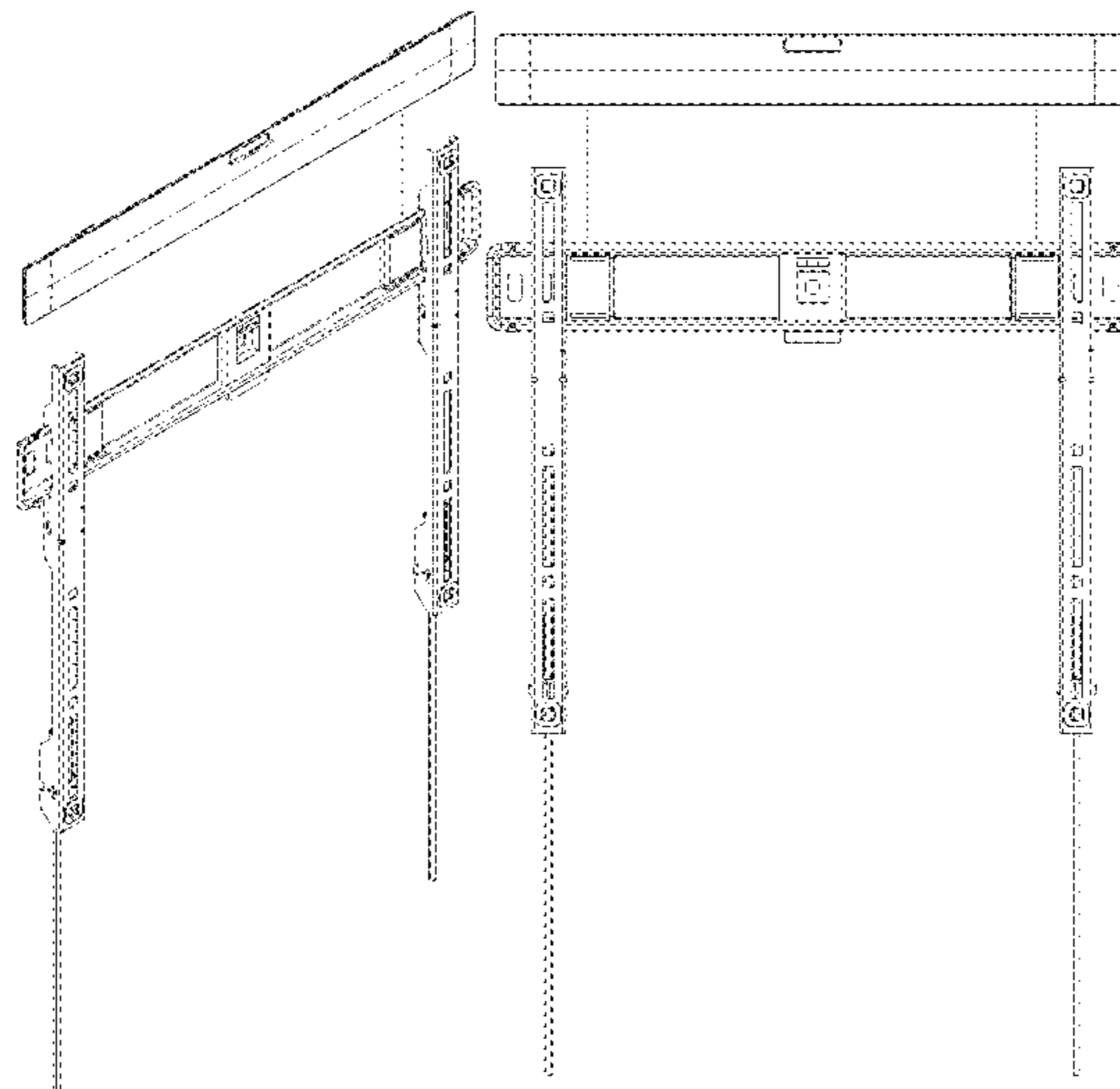
(57) **CLAIM**

The ornamental design for the wall mount support, as shown and described.

DESCRIPTION

FIG. 1 is a top front left perspective view of the wall mount support with the front cover plate removed; FIG. 2 is a front plan view of the wall mount support shown in FIG. 1 with the front cover plate removed; FIG. 3 is a rear plan view of the wall mount support shown in FIG. 1 with the front cover plate in place; and, FIG. 4 is a left plan view of the wall mount support shown in FIG. 1 with the front cover plate in place, the right plan view being a mirror image thereof.

1 Claim, 4 Drawing Sheets



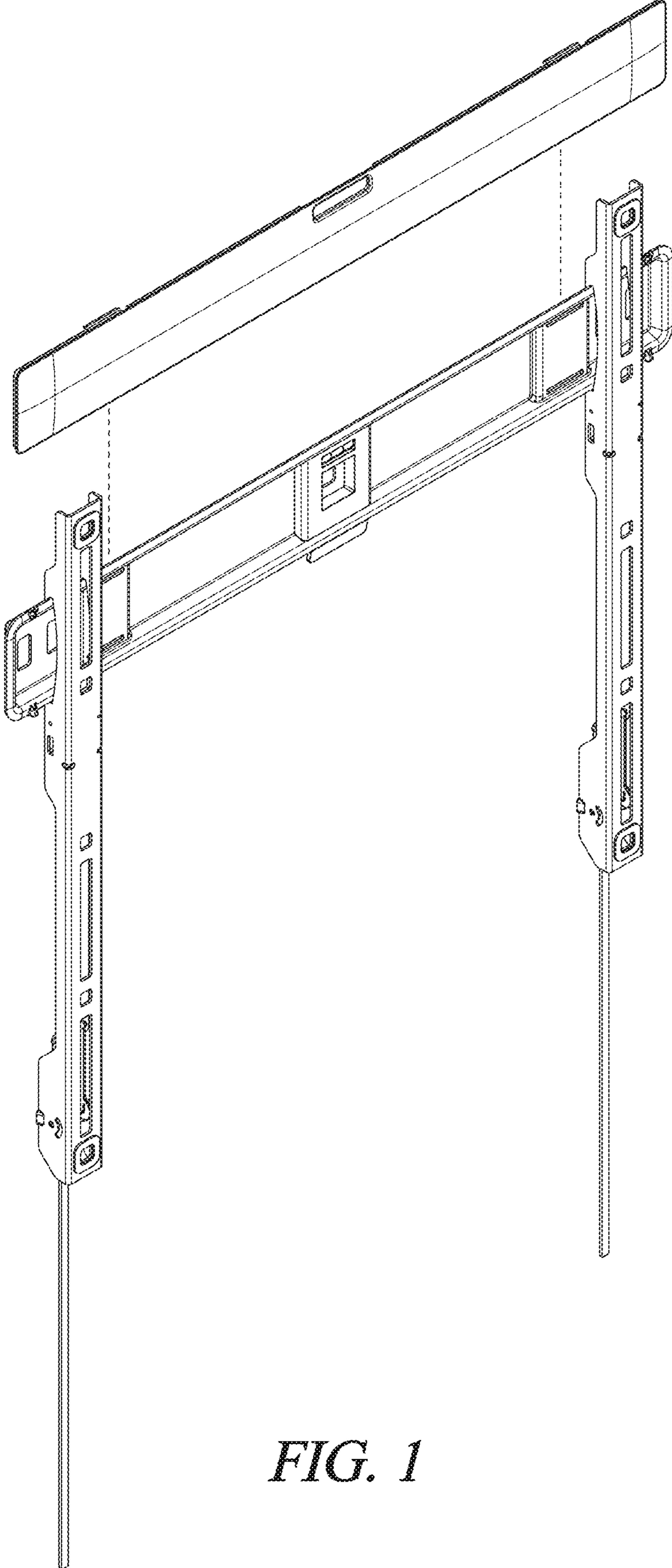


FIG. 1

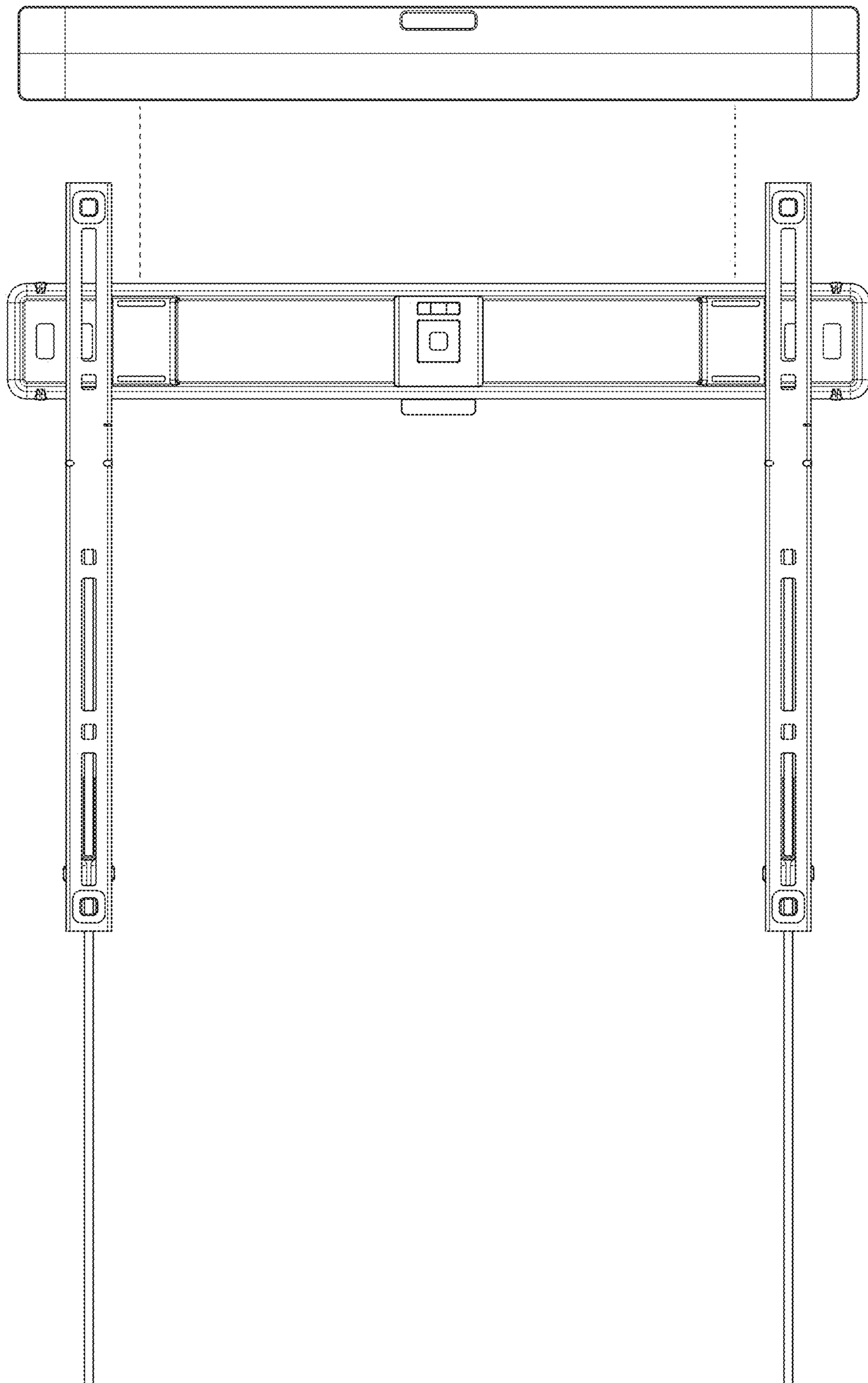


FIG. 2

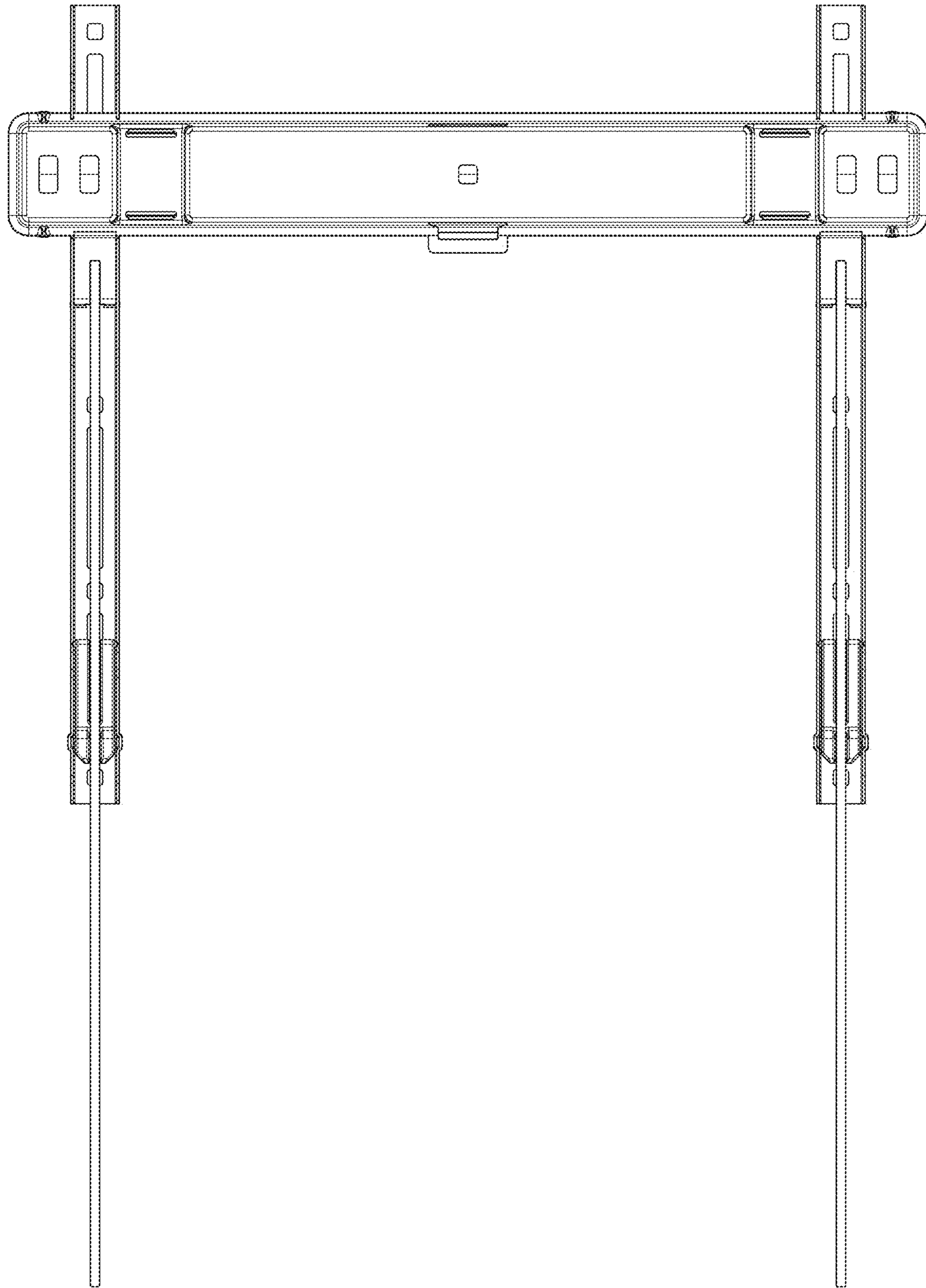


FIG. 3



FIG. 4