



US00D952616S

(12) **United States Design Patent**  
**Ono**

(10) **Patent No.:** **US D952,616 S**

(45) **Date of Patent:** **\*\* May 24, 2022**

(54) **ANTENNA-FIXING BRACKET**

(71) Applicant: **NEC Platforms, Ltd.**, Kawasaki (JP)

(72) Inventor: **Satoko Ono**, Kawasaki (JP)

(73) Assignee: **NEC PLATFORMS, LTD.**, Kawasaki (JP)

(\*\*) Term: **15 Years**

(21) Appl. No.: **29/753,378**

(22) Filed: **Sep. 30, 2020**

(30) **Foreign Application Priority Data**

Mar. 31, 2020 (JP) ..... 2020-006202  
Mar. 31, 2020 (JP) ..... 2020-006203

(51) **LOC (13) Cl.** ..... **14-03**

(52) **U.S. Cl.**  
USPC ..... **D14/238**

(58) **Field of Classification Search**  
USPC ... D14/230, 234, 236, 238, 238.1, 299, 358,  
D14/433, 496; D8/353, 354, 363, 373,  
D8/380, 381; D10/103, 123; D13/133  
(Continued)

(56) **References Cited**

**U.S. PATENT DOCUMENTS**

2,667,317 A \* 1/1954 Trebules ..... H01Q 1/084  
248/514  
6,042,068 A \* 3/2000 Tcherny ..... F16M 11/08  
248/221.11

(Continued)

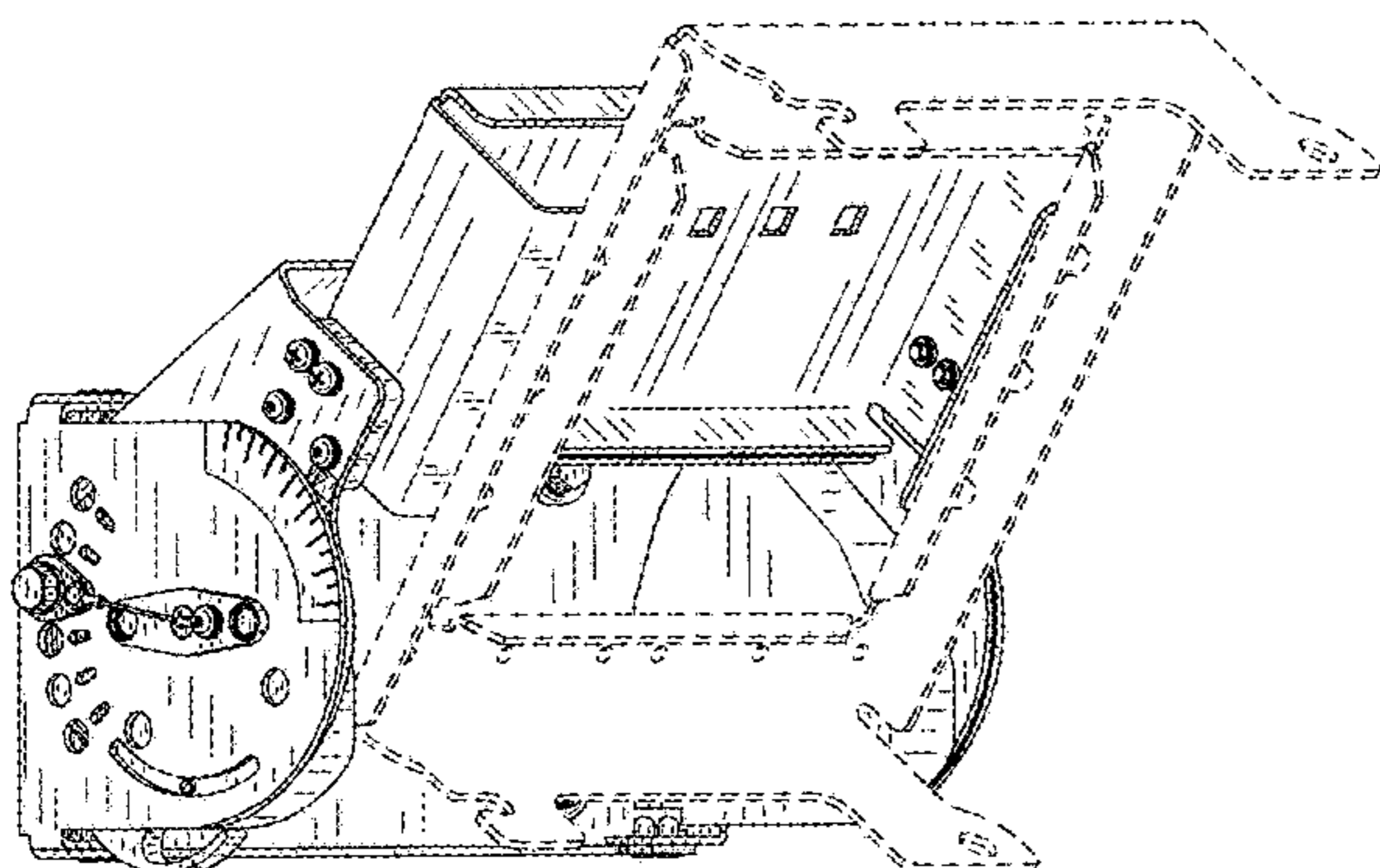
**FOREIGN PATENT DOCUMENTS**

JP 1204410 S 5/2004

**OTHER PUBLICATIONS**

Notice dated Oct. 16, 2020, by the Japanese Patent Office in corresponding Japanese Design Patent Application No. 2020-006202 and an English Translation of the Notice (4 pages).

(Continued)



*Primary Examiner* — Keli L Hill

*Assistant Examiner* — Harold E Blackwell, II

(74) *Attorney, Agent, or Firm* — Buchanan Ingersoll & Rooney PC

(57) **CLAIM**

The ornamental design for an antenna-fixing bracket, as shown and described.

**DESCRIPTION**

FIG. 1 is a front, left side perspective view of an antenna-fixing bracket of the first embodiment showing my new design;

FIG. 2 is a front elevational view of the first embodiment thereof;

FIG. 3 is a rear elevational view of the first embodiment thereof;

FIG. 4 is a left side view of the first embodiment thereof;

FIG. 5 is a right side view of the first embodiment thereof;

FIG. 6 is a top plan view of the first embodiment thereof;

FIG. 7 is a bottom plan view of the first embodiment thereof;

FIG. 8 is a perspective view of the first embodiment thereof, showing a state in which an antenna-fixing part is tilted by 35 degrees;

FIG. 9 is a perspective view of the first embodiment thereof, showing a state in which an antenna-fixing part is tilted by 70 degrees; and

FIG. 10 is a reference perspective view of the first embodiment thereof, with an antenna attached.

FIG. 11 is a reduced-scale front, right side, top perspective view of an antenna-fixing bracket of the second embodiment showing my new design;

FIG. 12 is a front elevational view of the second embodiment thereof;

FIG. 13 is a rear elevational view of the second embodiment thereof;

FIG. 14 is a left side view of the second embodiment thereof;

FIG. 15 is a right side view of the second embodiment thereof;

(Continued)

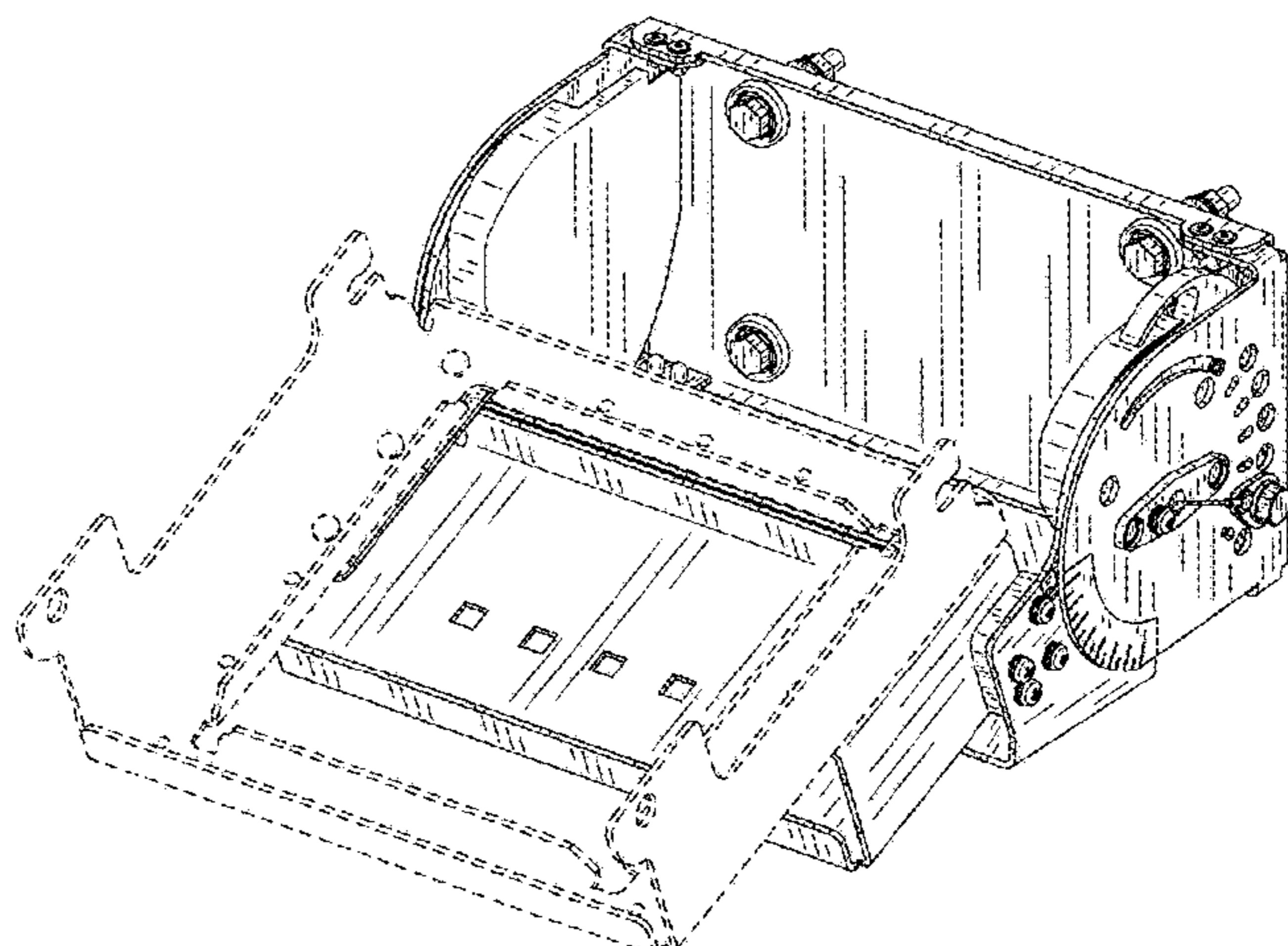


FIG. 16 is a top plan view of the second embodiment thereof;  
 FIG. 17 is a bottom plan view of the second embodiment thereof;  
 FIG. 18 is a perspective view of the second embodiment thereof, showing a state in which an antenna-fixing part is tilted by 35 degrees;  
 FIG. 19 is a perspective view of the second embodiment thereof, showing a state in which an antenna-fixing part is tilted by 70 degrees; and,  
 FIG. 20 is a reference perspective view of the second embodiment thereof, with an antenna attached.  
 The broken lines in the drawings illustrate portions of the antenna fixing-bracket which form no part of the claimed design.

**1 Claim, 17 Drawing Sheets**

(58) **Field of Classification Search**  
 CPC ..... H01Q 3/02; H01Q 1/12  
 See application file for complete search history.

(56) **References Cited**

U.S. PATENT DOCUMENTS

D494,978	S *	8/2004	Pfister .....	D14/432
D495,713	S *	9/2004	Pfister .....	D14/432
7,408,526	B2 *	8/2008	Pan .....	H01Q 1/125 343/880

7,641,163	B2 *	1/2010	O'Keene .....	F16M 11/10 248/292.14
7,726,617	B2 *	6/2010	Zambelli .....	F16M 11/10 248/288.31
D625,750	S *	10/2010	Dittmer .....	D16/235
D626,118	S *	10/2010	Schmitz .....	D14/238
D634,770	S *	3/2011	Dittmer .....	D16/235
8,020,824	B2 *	9/2011	Pan .....	H01Q 1/1207 248/299.1
8,052,107	B2 *	11/2011	Yang .....	H01Q 19/12 248/201
8,215,604	B1 *	7/2012	Keicher .....	H01Q 1/12 248/534
8,339,329	B2 *	12/2012	Shen .....	H01Q 1/125 343/882
8,820,985	B1 *	9/2014	Tam .....	F21V 21/14 362/419
D730,331	S *	5/2015	Wong .....	D14/238
9,478,845	B2 *	10/2016	Hemmervall .....	H01Q 1/1228
D831,014	S *	10/2018	Delibie .....	D14/242
11,038,253	B1 *	6/2021	Tseng .....	H01Q 1/288
2007/0132655	A1 *	6/2007	Lin .....	H01Q 1/125 343/880
2008/0165076	A1 *	7/2008	Pan .....	H01Q 1/125 343/882

OTHER PUBLICATIONS

Notice dated Oct. 16, 2020, by the Japanese Patent Office in corresponding Japanese Design Patent Application No. 2020-006203 and an English Translation of the Notice (4 pages).  
 U.S. Appl. No. 29/753,359, filed Sep. 30, 2020, Satoko Ono.  
 U.S. Appl. No. 29/753,374, filed Sep. 30, 2020, Satoko Ono.

\* cited by examiner

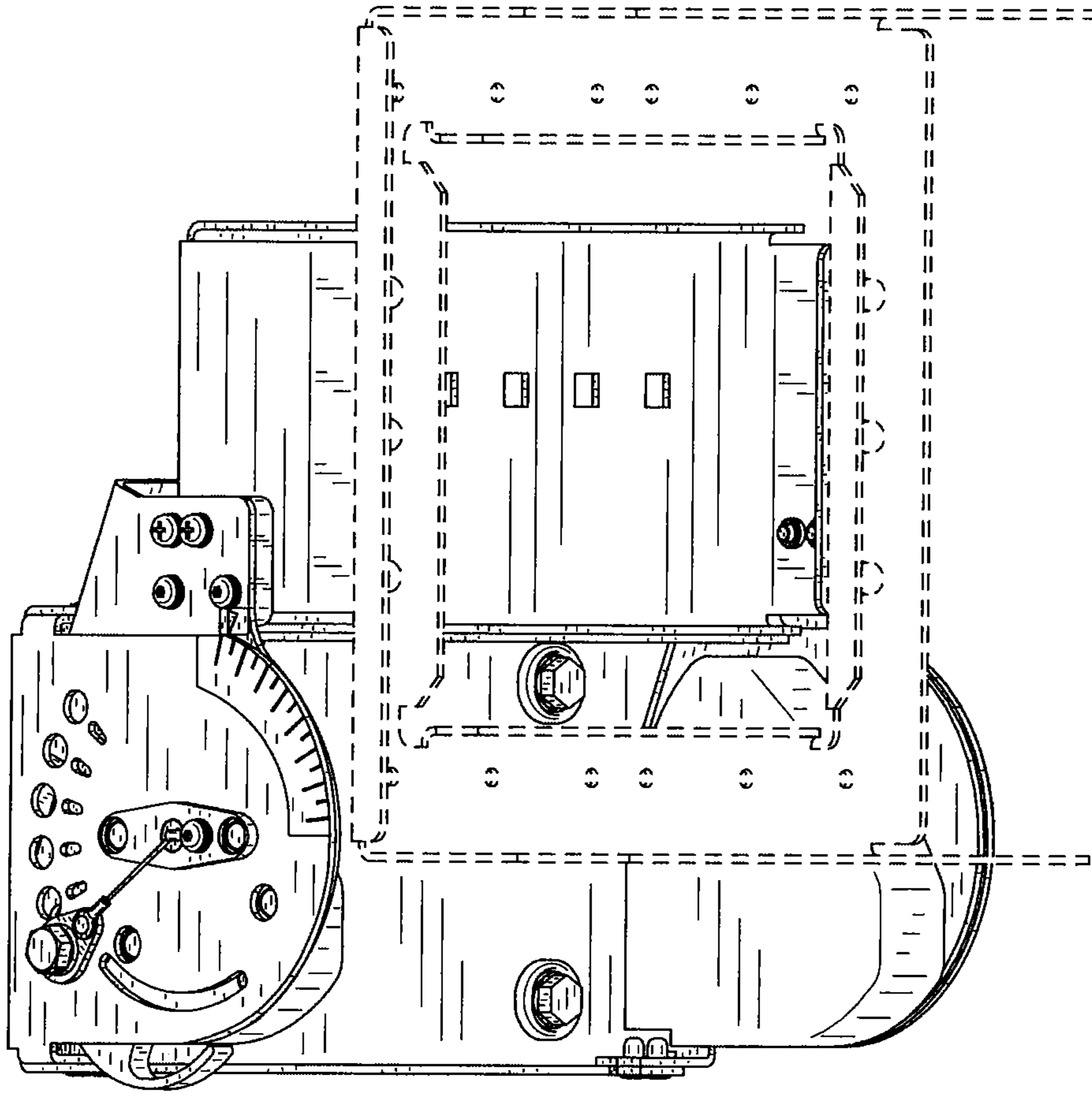


FIG. 1



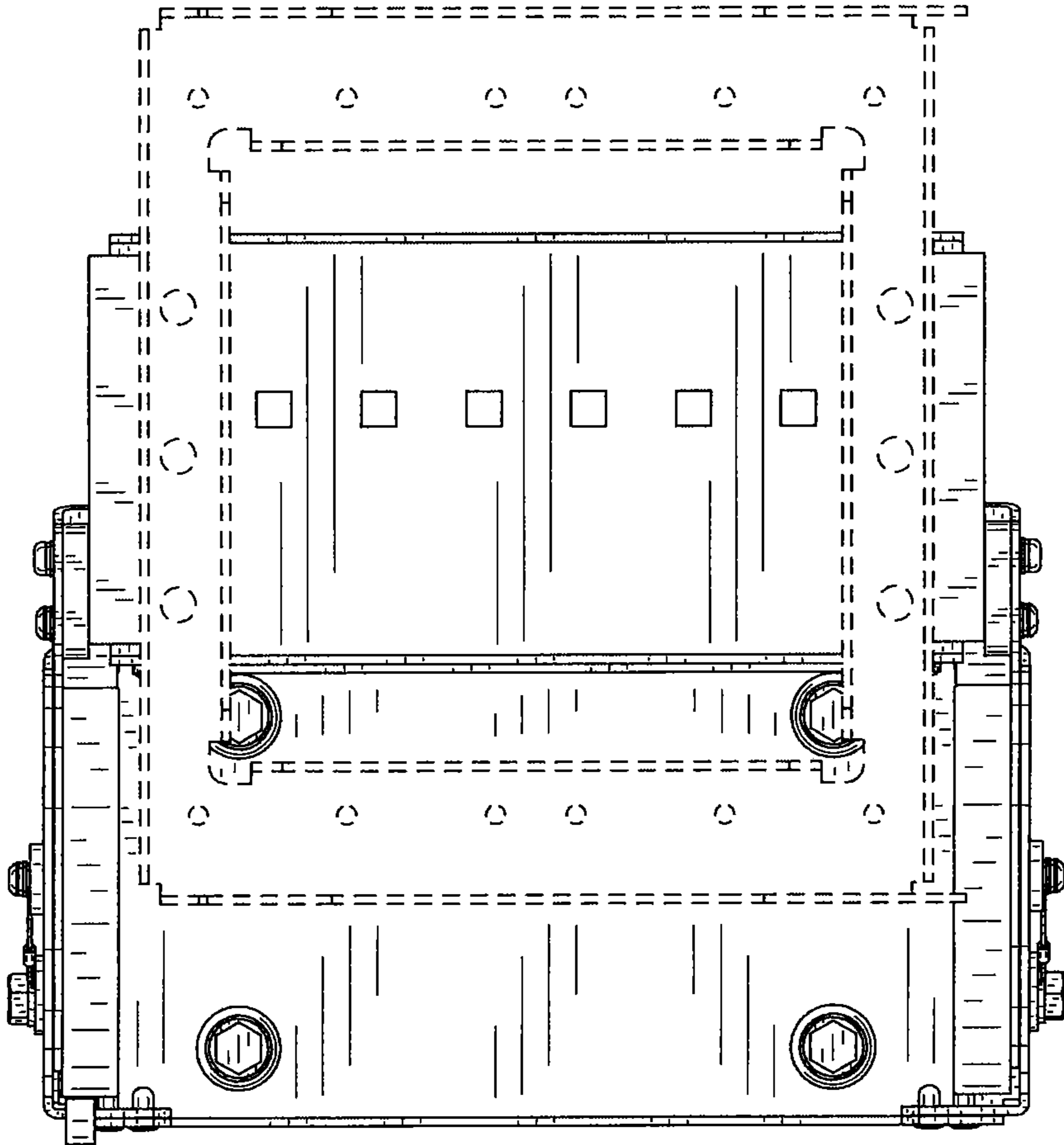


FIG. 2

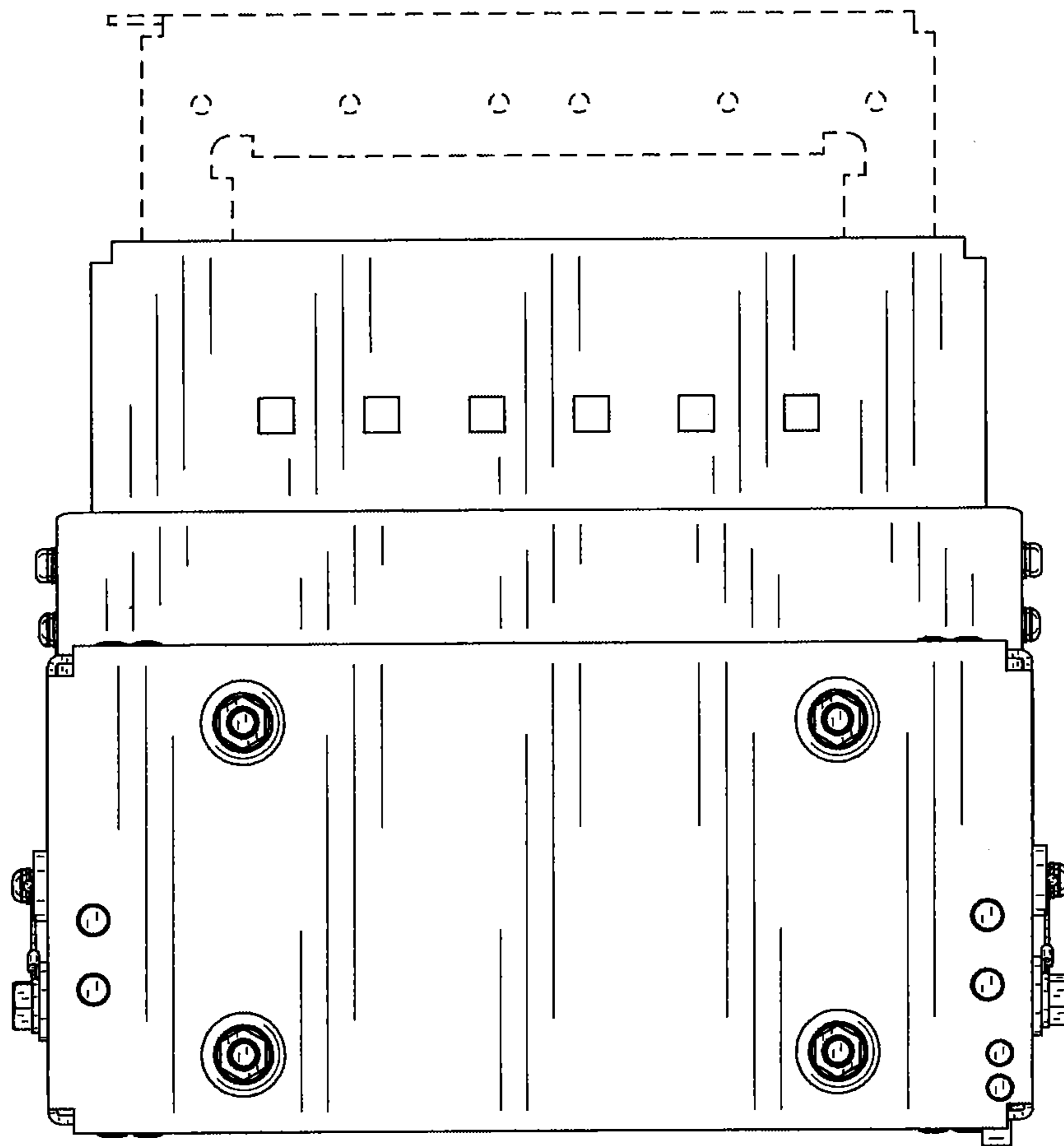


FIG. 3

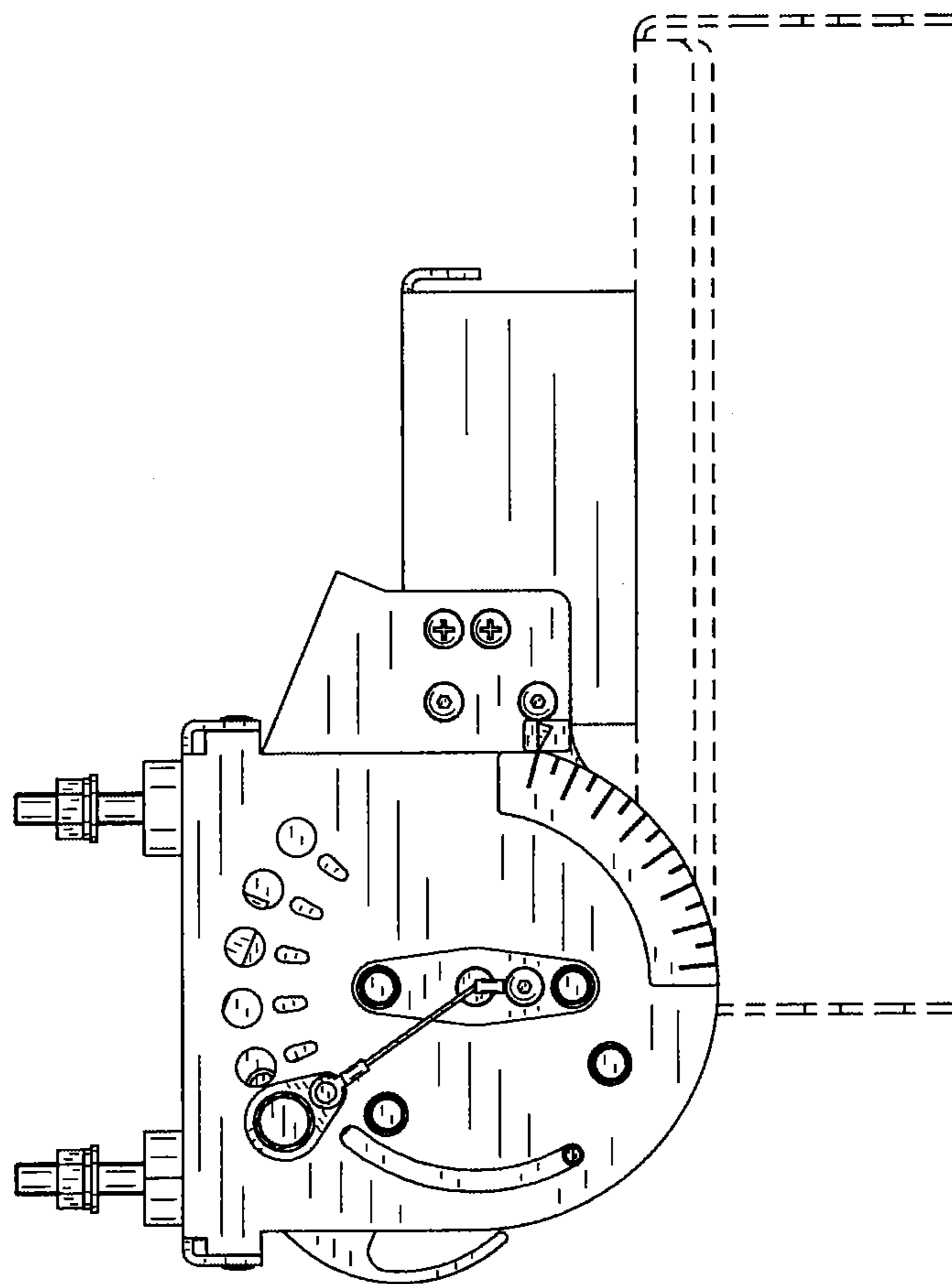


FIG. 4

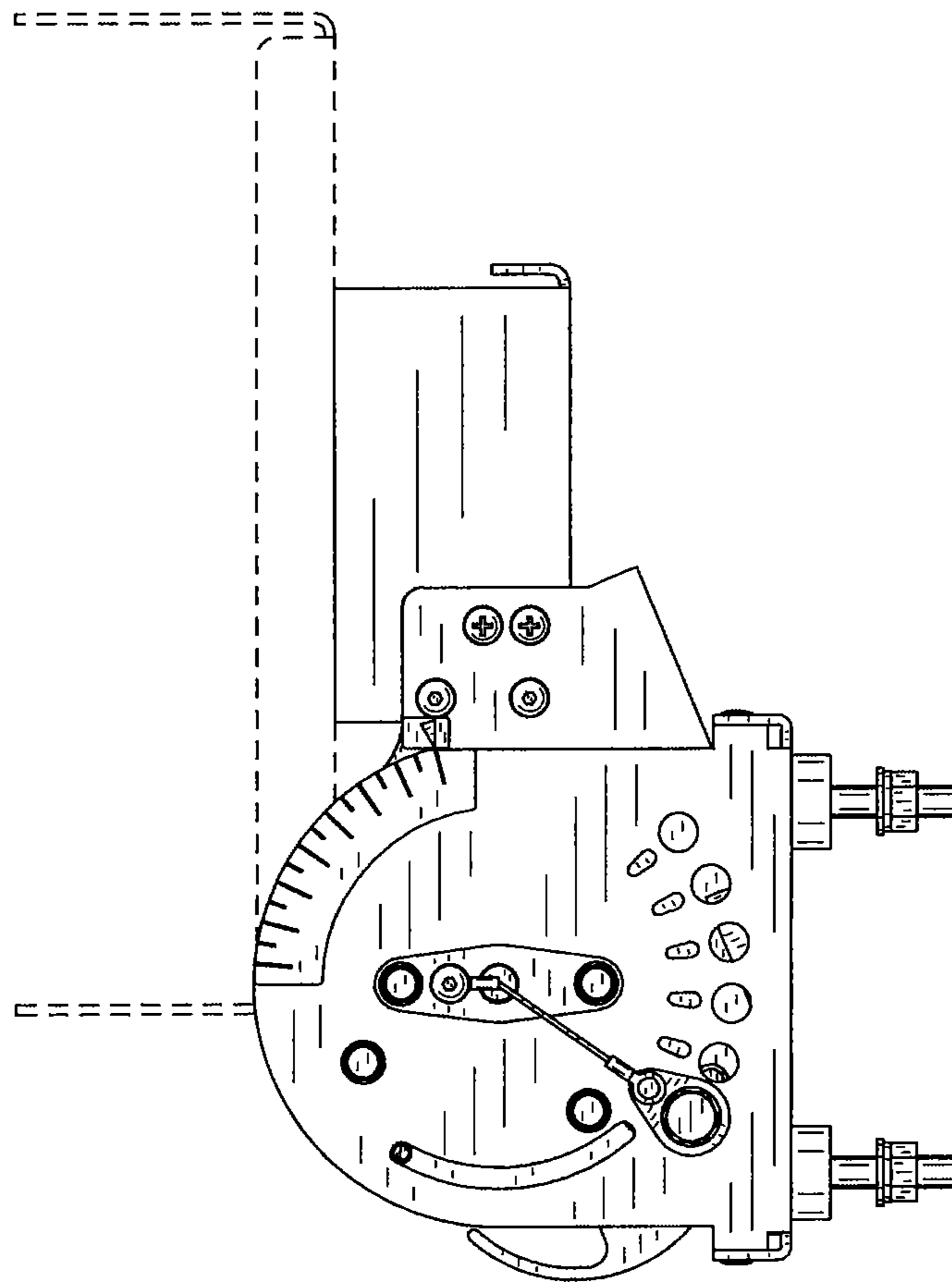


FIG. 5

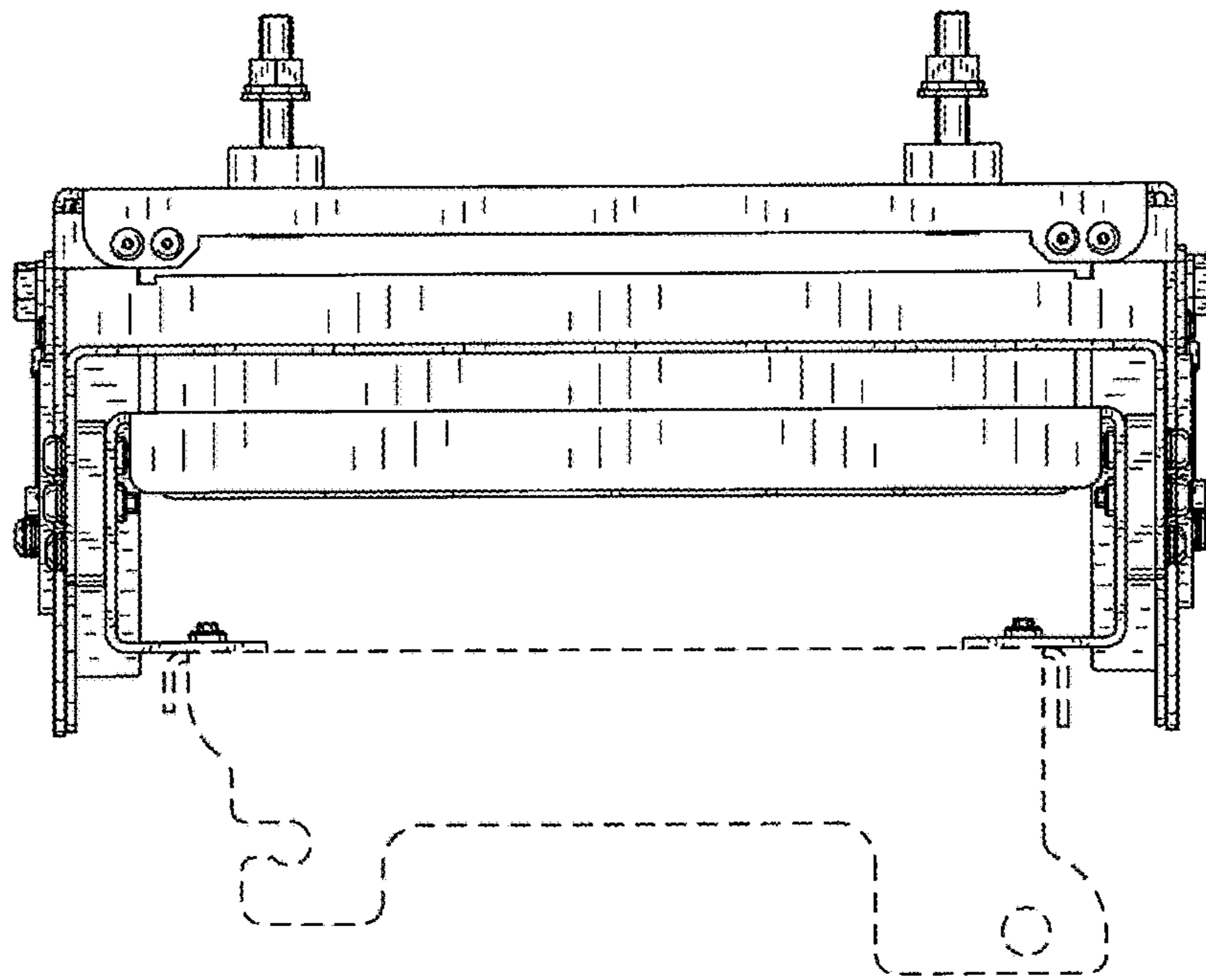


FIG. 6

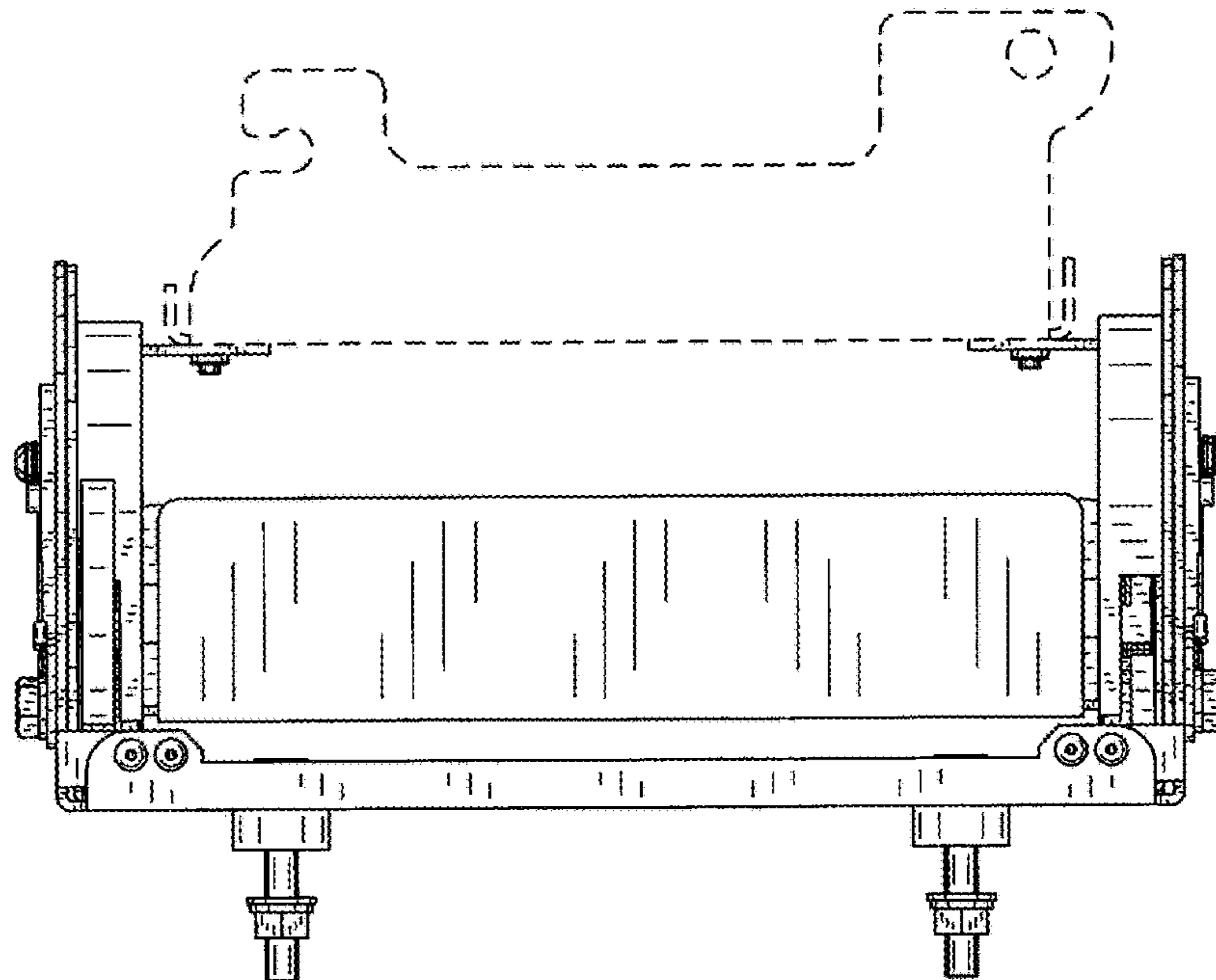


FIG. 7



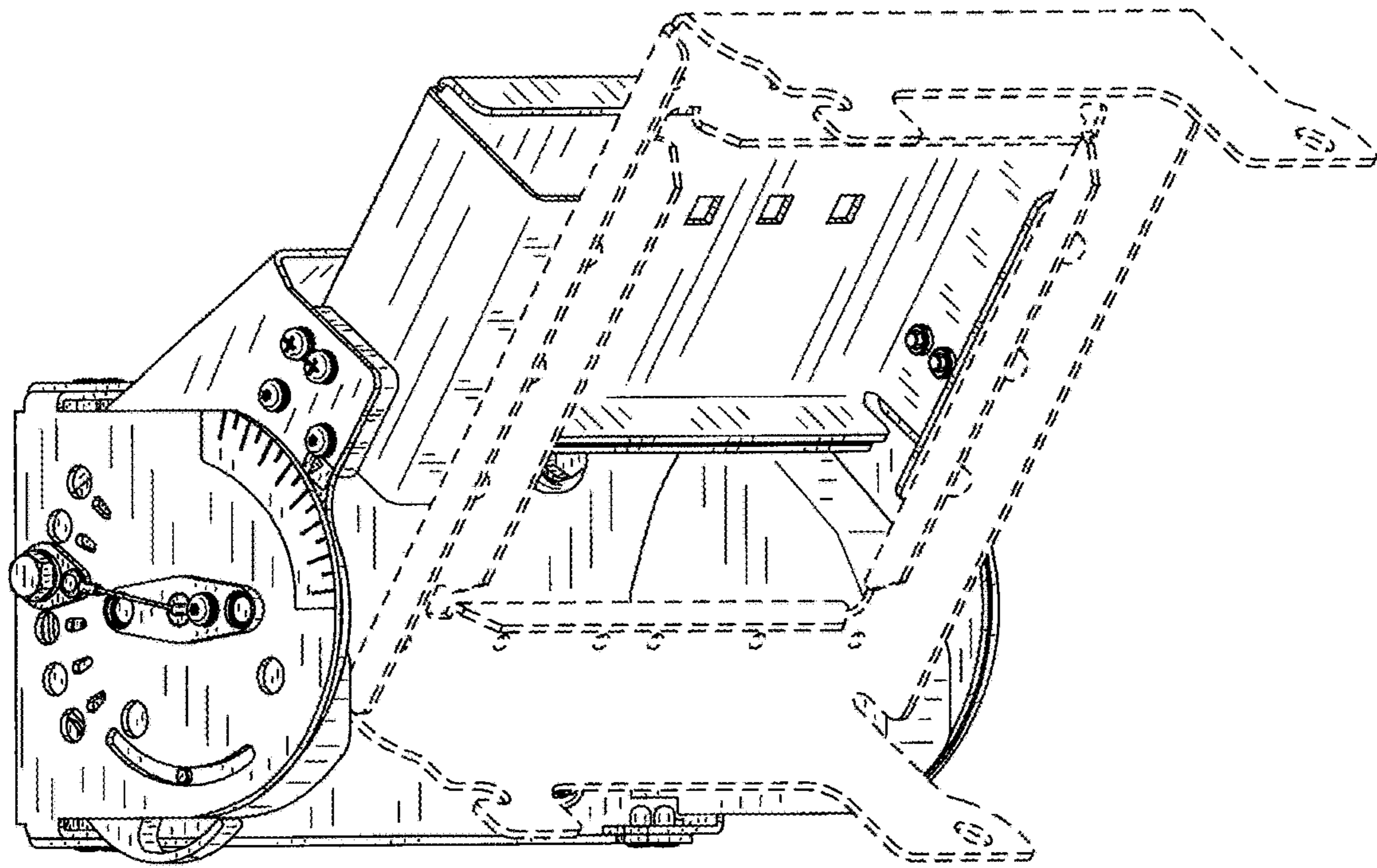


FIG. 8

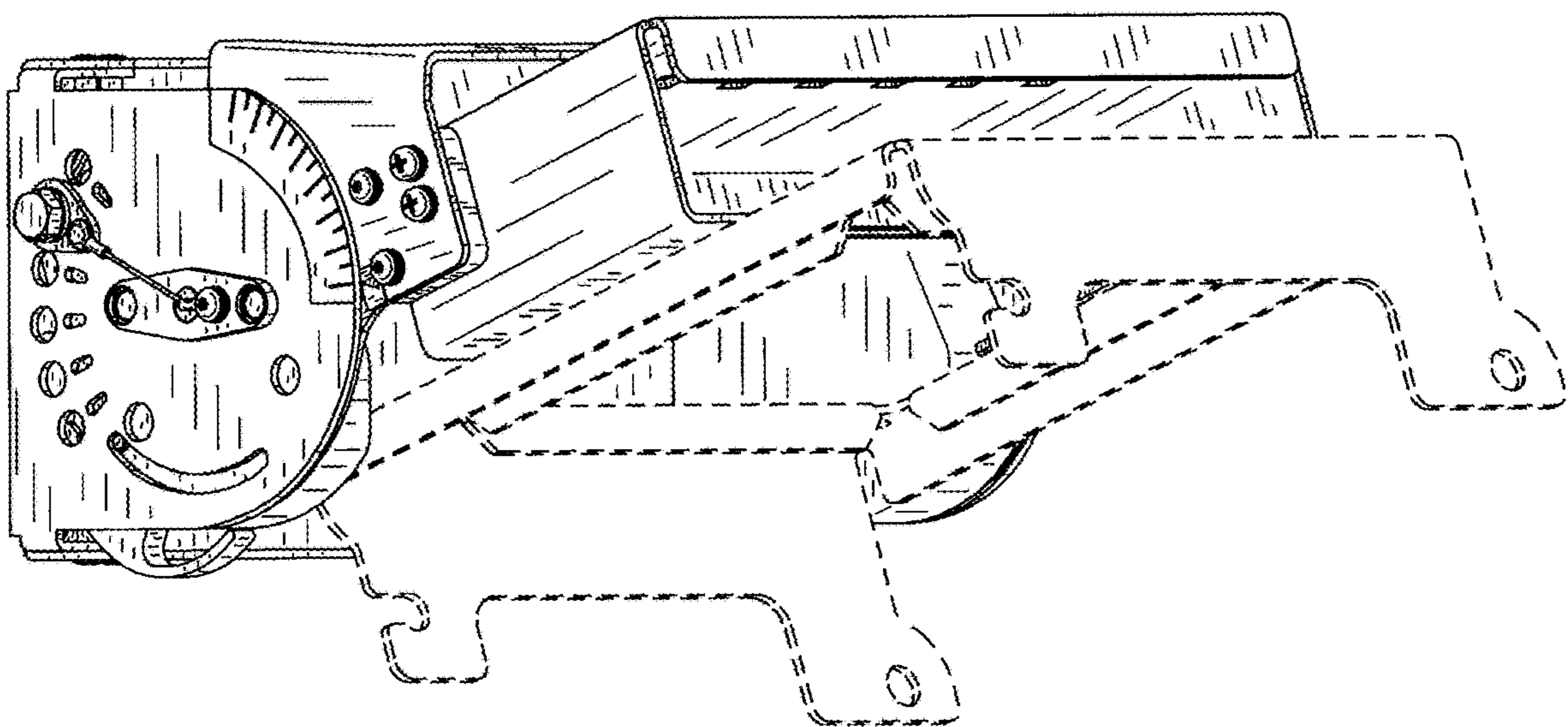


FIG. 9

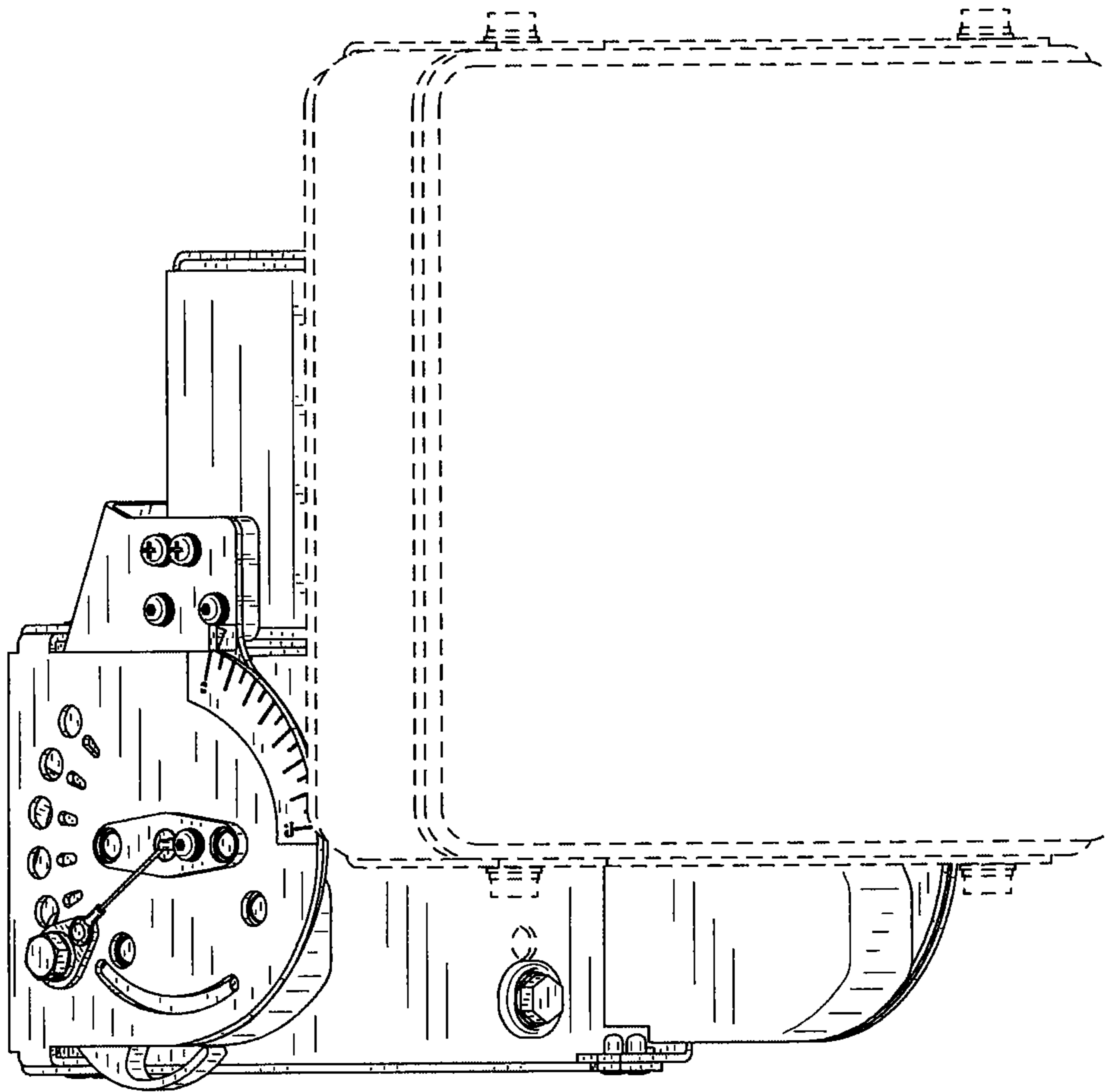


FIG. 10

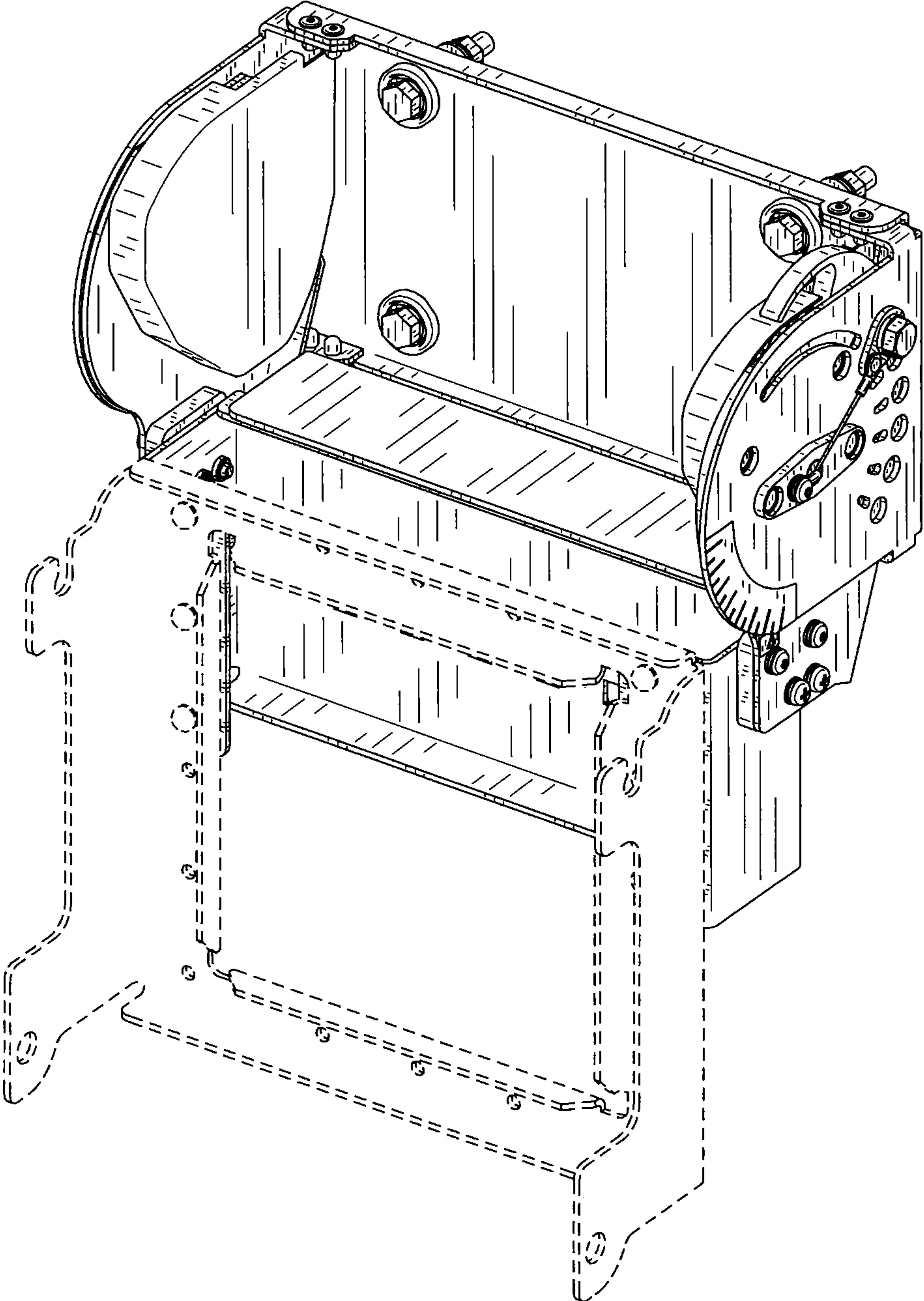


FIG. 11

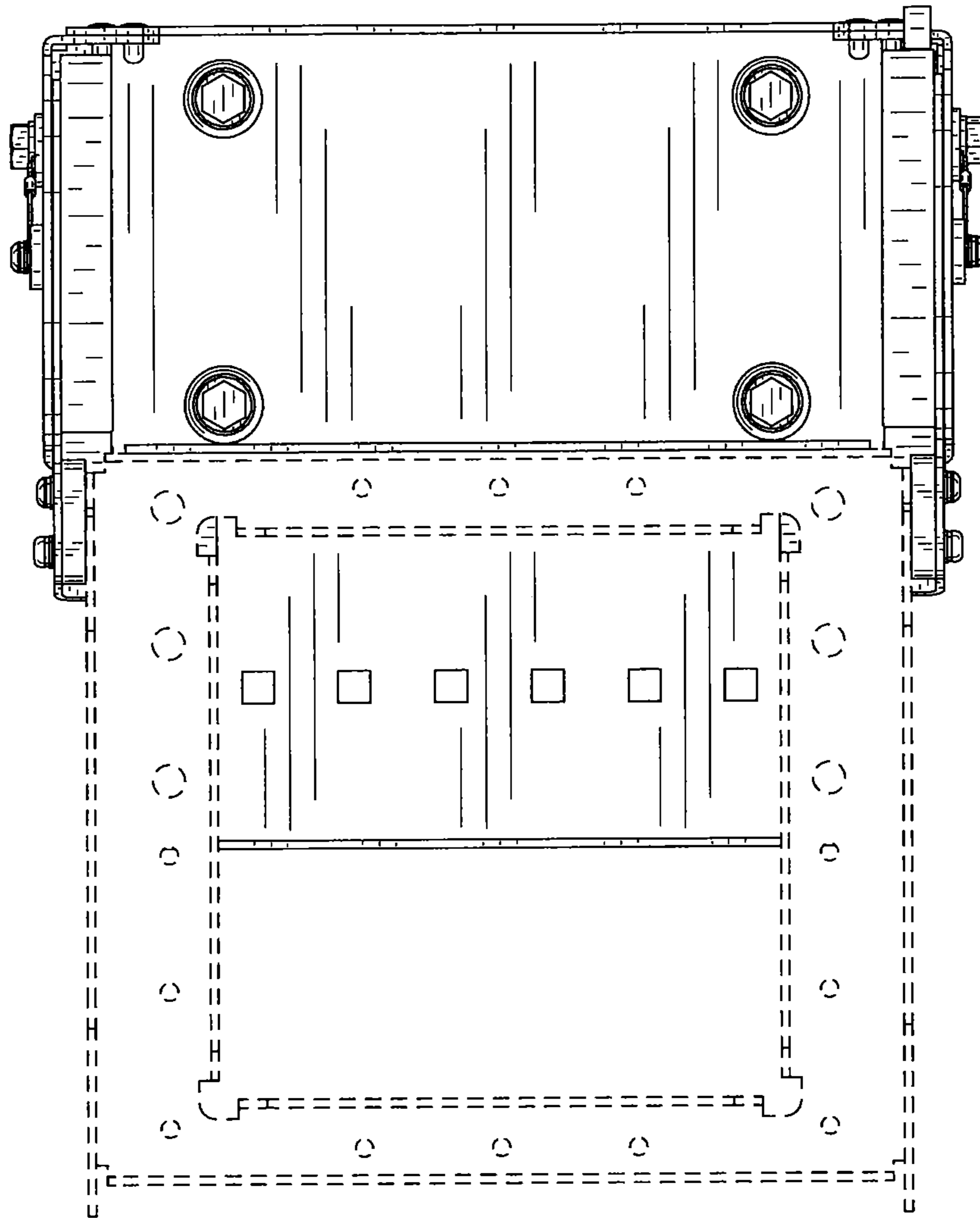


FIG. 12

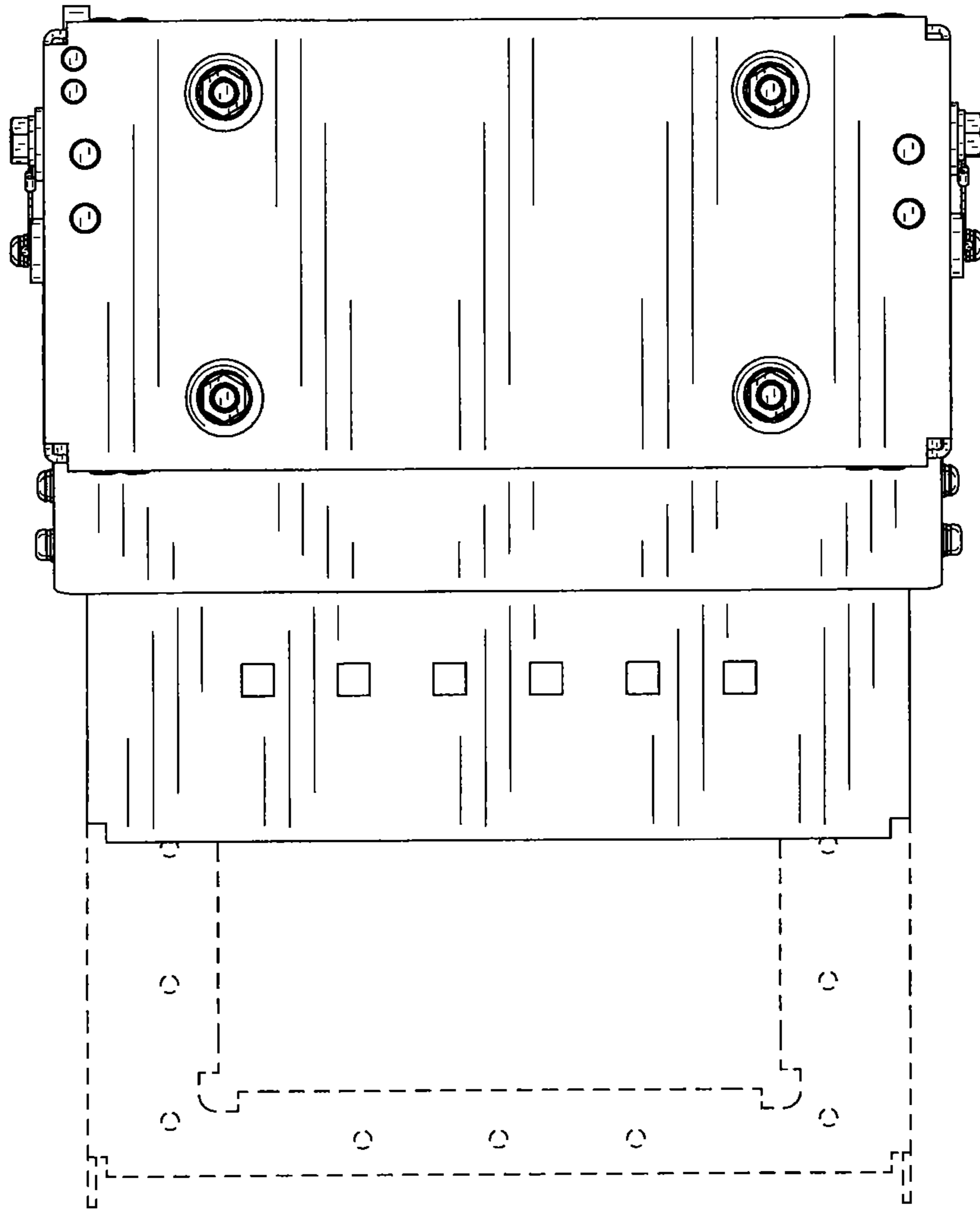


FIG. 13



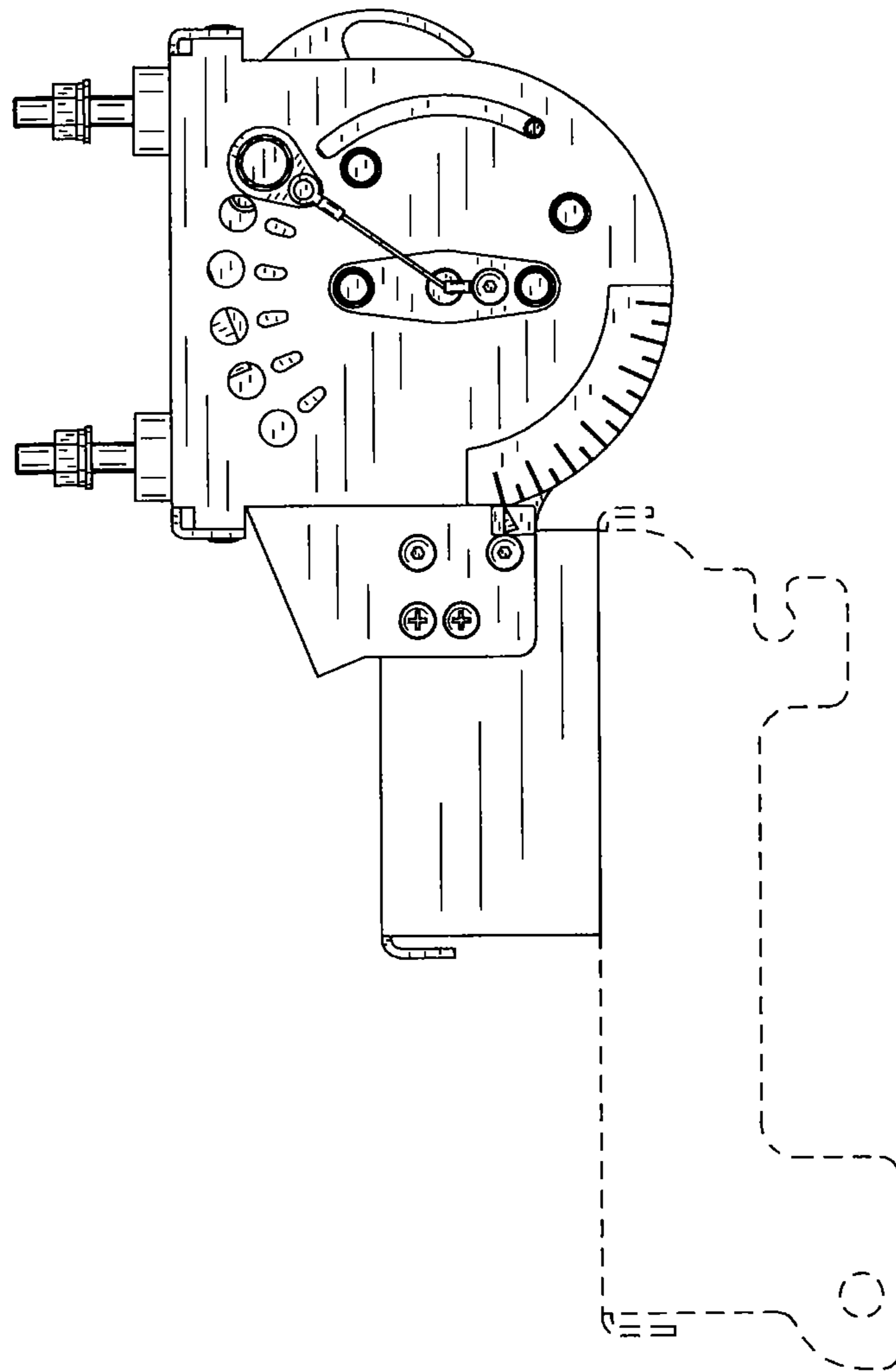


FIG. 14

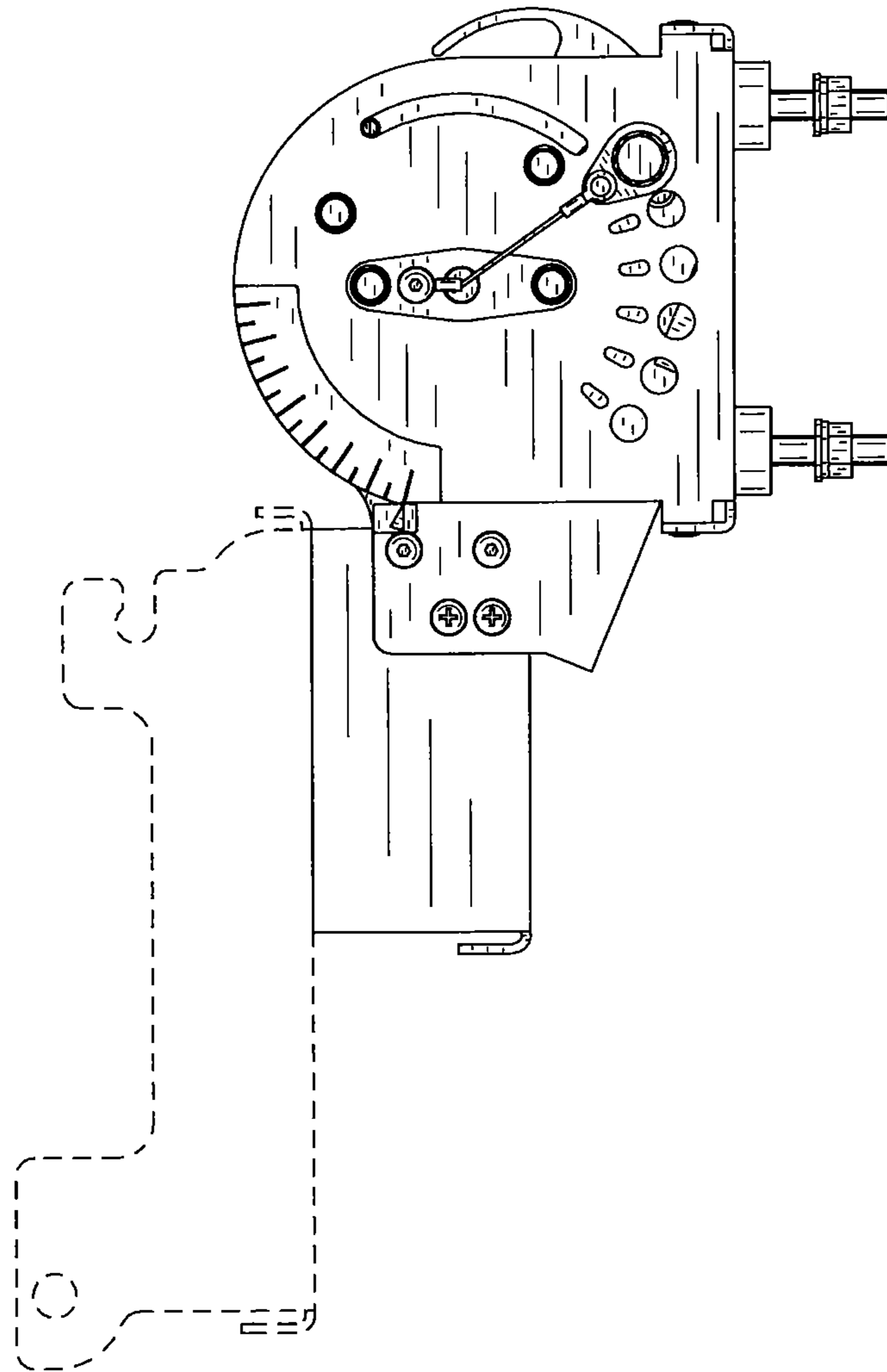


FIG. 15

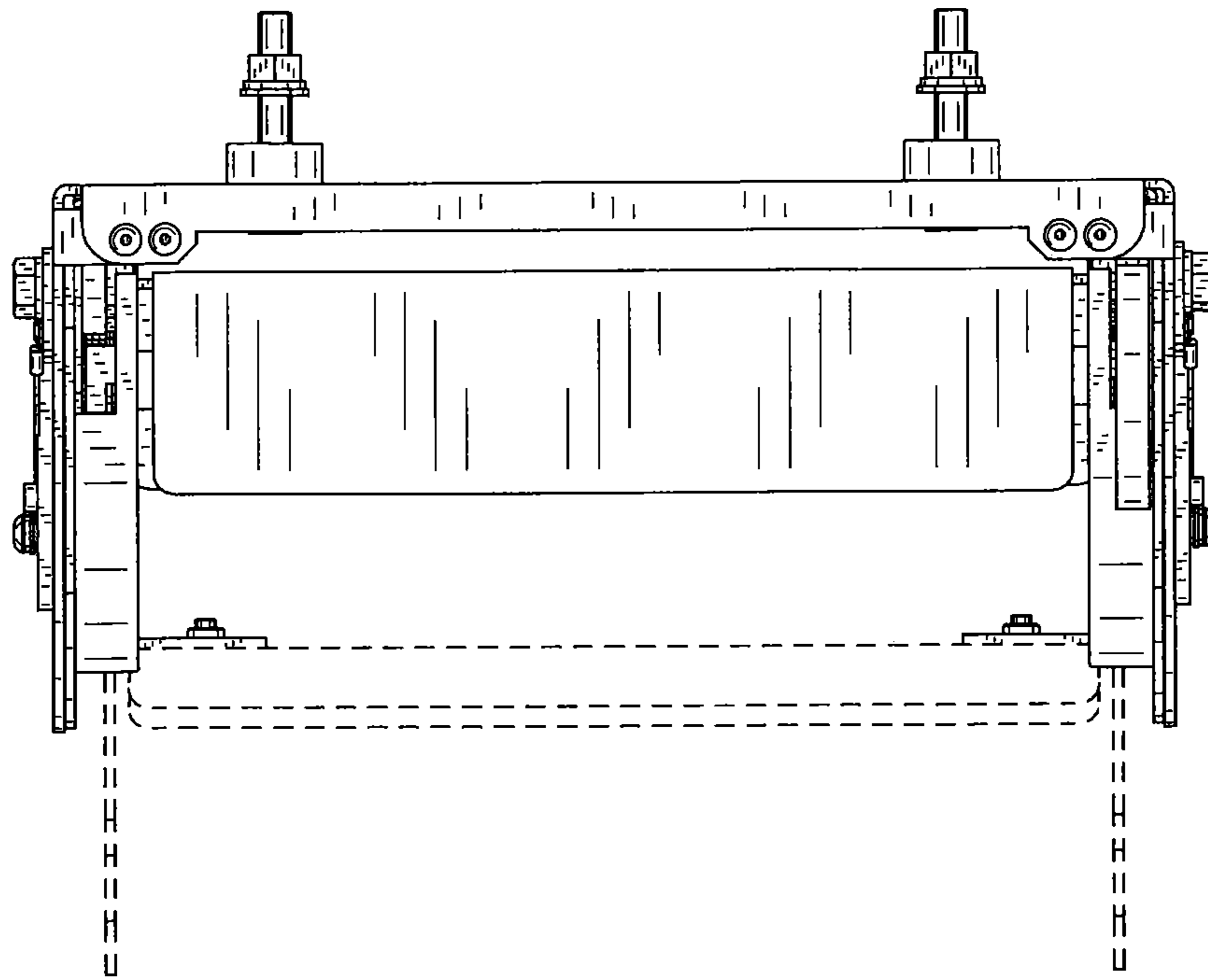


FIG. 16

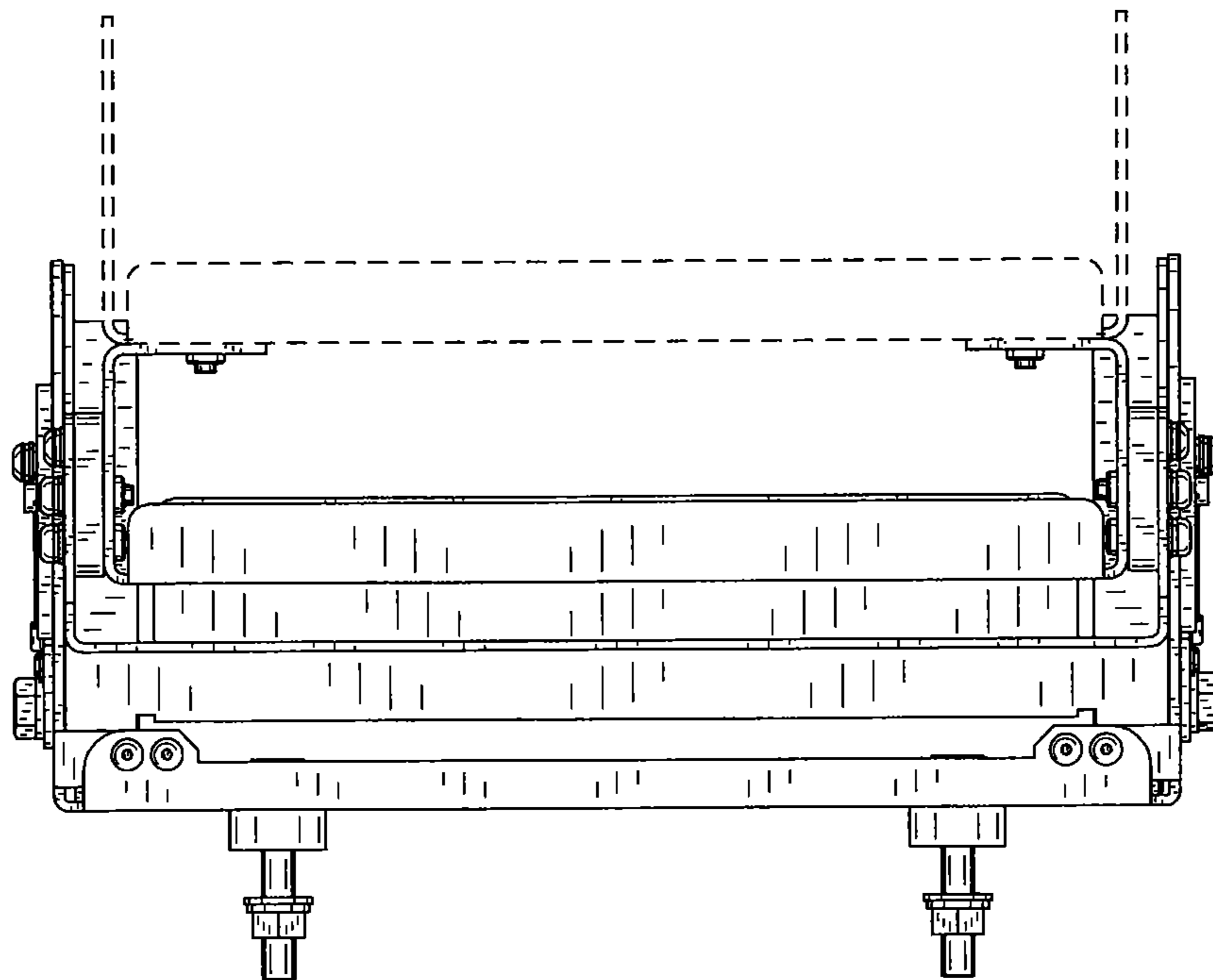
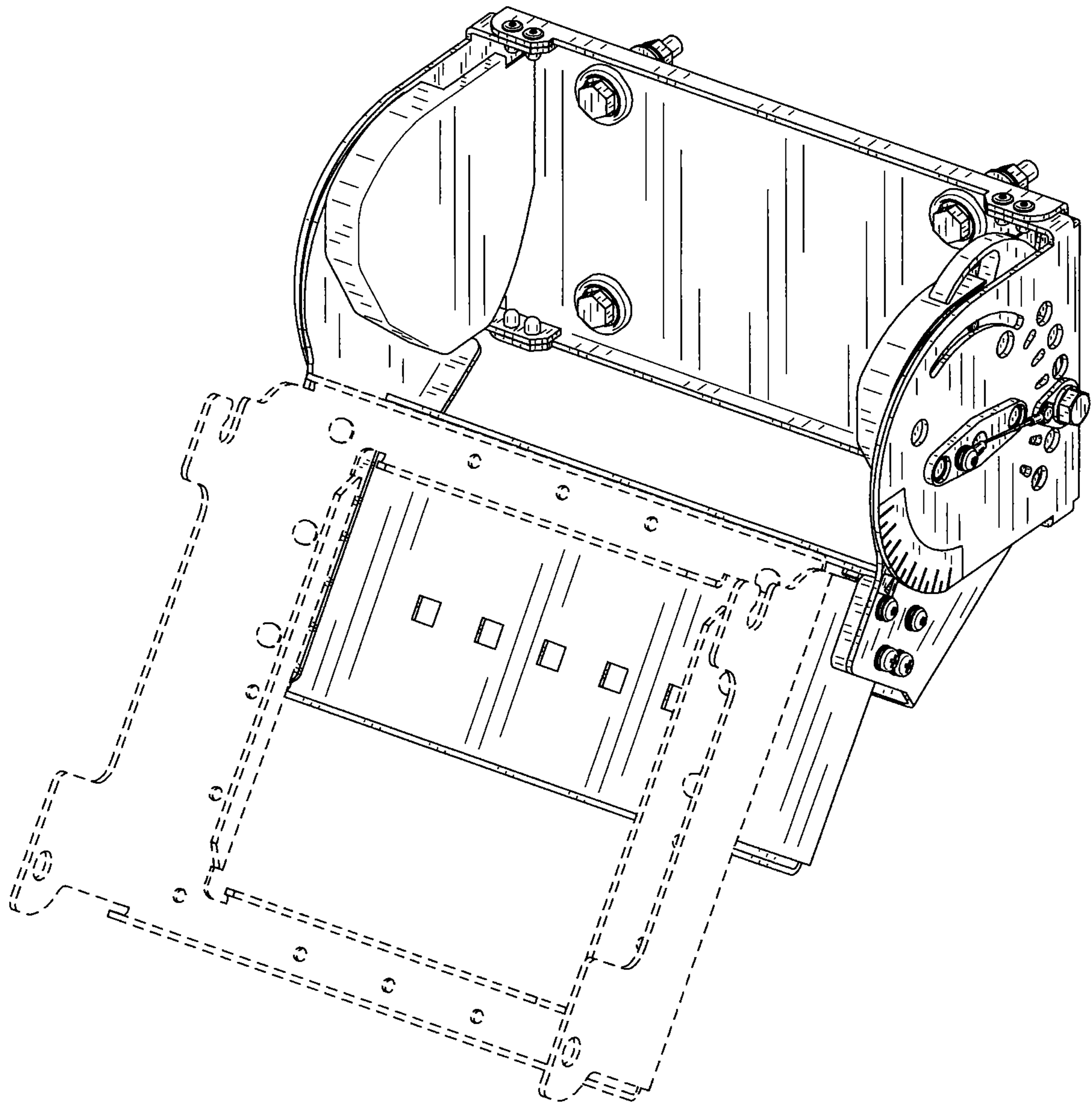


FIG. 17



**FIG. 18**

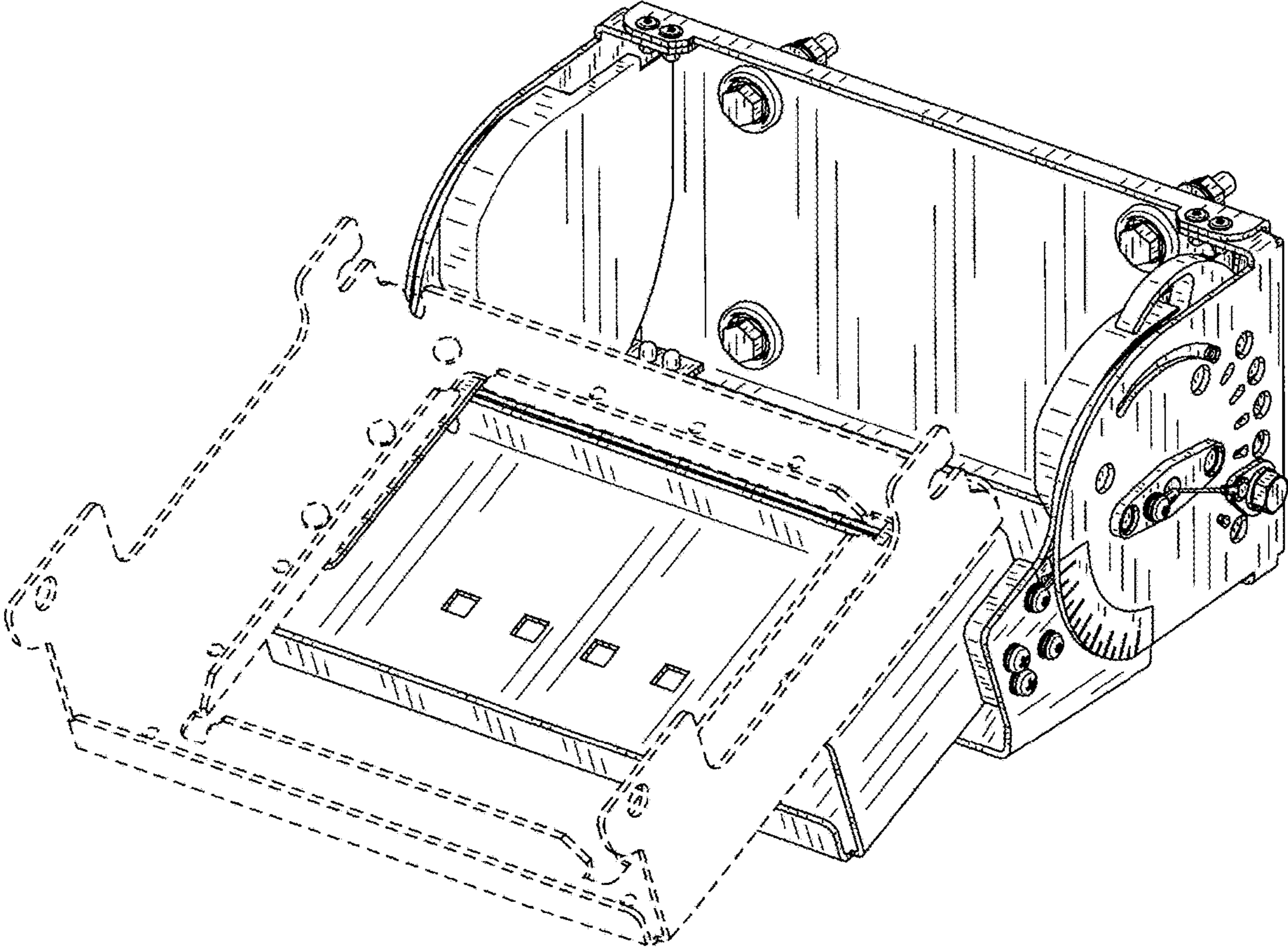


FIG. 19



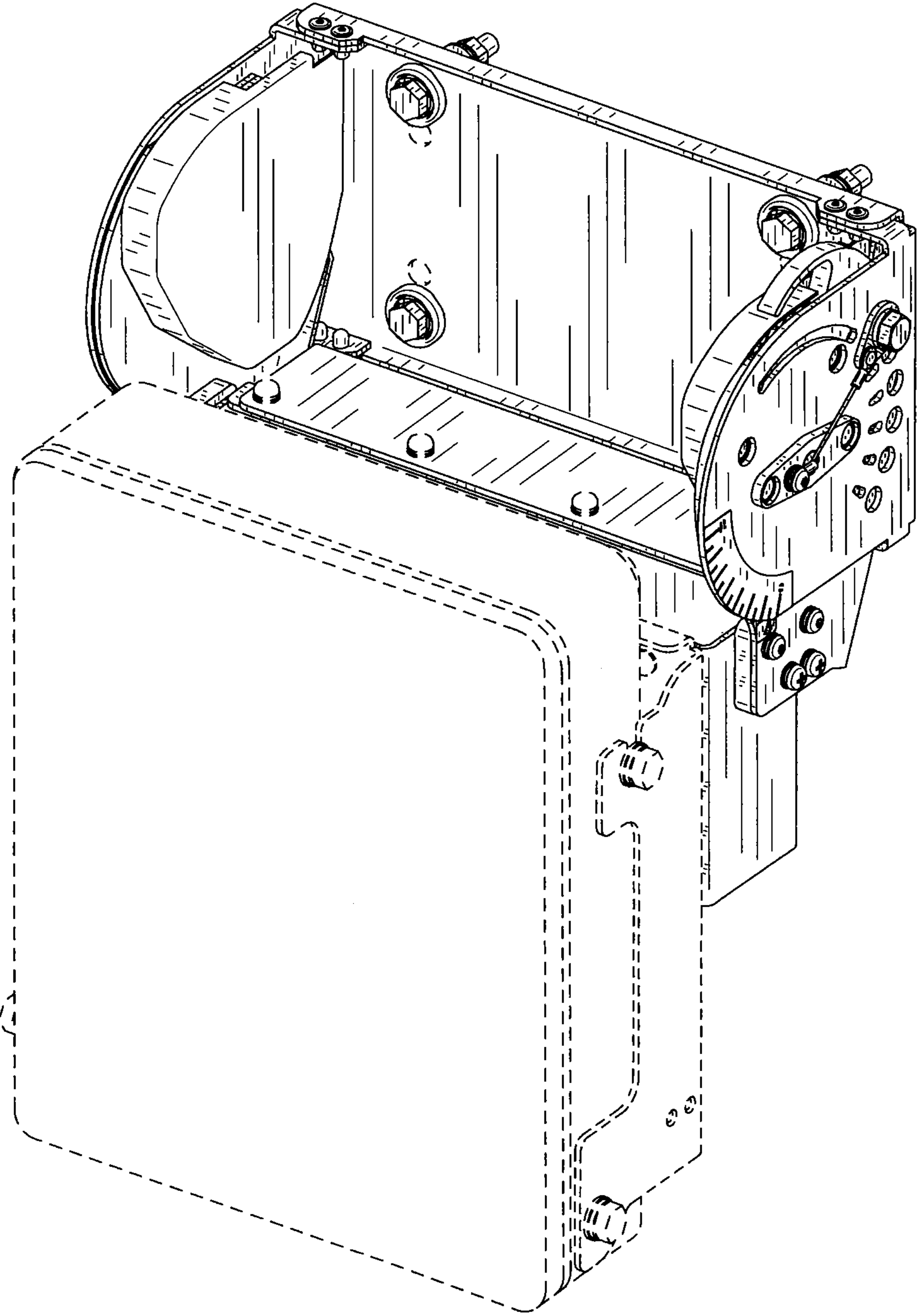


FIG. 20