



US00D952615S

(12) **United States Design Patent** (10) **Patent No.:** **US D952,615 S**
Ono (45) **Date of Patent:** **** May 24, 2022**

- (54) **ANTENNA-FIXING BRACKET**
- (71) Applicant: **NEC Platforms, Ltd.**, Kawasaki (JP)
- (72) Inventor: **Satoko Ono**, Kawasaki (JP)
- (73) Assignee: **NEC PLATFORMS, LTD.**, Kawasaki (JP)
- (**) Term: **15 Years**
- (21) Appl. No.: **29/753,374**
- (22) Filed: **Sep. 30, 2020**
- (30) **Foreign Application Priority Data**
Mar. 31, 2020 (JP) 2020-006201
- (51) **LOC (13) Cl.** **14-03**
- (52) **U.S. Cl.**
USPC **D14/238**
- (58) **Field of Classification Search**
USPC ... D14/230, 234, 236, 238, 238.1, 299, 358, D14/433, 496; D8/353, 354, 363, 373, D8/380, 381; D10/103, 123; D13/133
CPC H01Q 3/02; H01Q 1/12
See application file for complete search history.

D625,750 S * 10/2010 Dittmer D16/235
D626,118 S * 10/2010 Schmitz D14/238
D634,770 S * 3/2011 Dittmer D16/235
(Continued)

FOREIGN PATENT DOCUMENTS

JP 1204410 S 5/2004

OTHER PUBLICATIONS

U.S. Appl. No. 29/753,359, filed Sep. 30, 2020, Satoko Ono.
(Continued)

Primary Examiner — Keli L Hill
Assistant Examiner — Harold E Blackwell, II
(74) *Attorney, Agent, or Firm* — Buchanan Ingersoll & Rooney PC

(57) **CLAIM**

The ornamental design for an antenna-fixing bracket, as shown and described.

DESCRIPTION

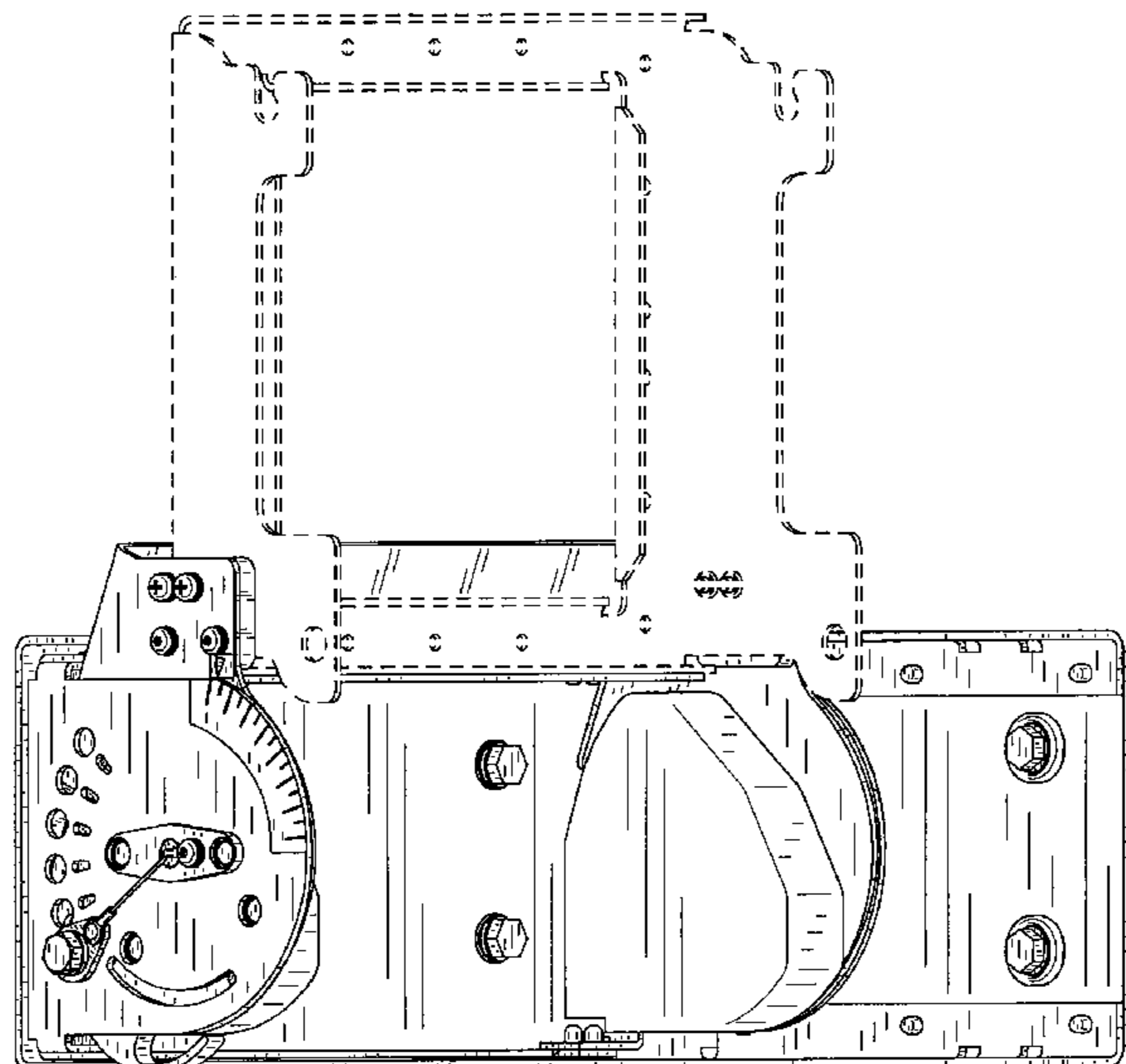
FIG. 1 is a front, left side, perspective view of an antenna-fixing bracket showing my new design;
FIG. 2 is a front elevational view thereof;
FIG. 3 is a rear elevational view thereof;
FIG. 4 is a left side view thereof;
FIG. 5 is a right side view thereof;
FIG. 6 is a top plan view thereof;
FIG. 7 is a bottom plan view thereof;
FIG. 8 is a perspective view thereof, showing a state in which an antenna-fixing part is tilted by 35 degrees;
FIG. 9 is a perspective view thereof, showing a state in which an antenna-fixing part is tilted by 70 degrees; and,
FIG. 10 is a reference perspective view thereof, with an antenna attached.
The broken lines in the drawings illustrate portions of the antenna fixing-bracket which form no part of the claimed design.

(56) **References Cited**

U.S. PATENT DOCUMENTS

- 2,667,317 A * 1/1954 Trebules H01Q 1/084 248/514
- 6,042,068 A * 3/2000 Tcherny F16M 11/08 248/221.11
- D494,978 S * 8/2004 Pfister D14/432
- D495,713 S * 9/2004 Pfister D14/432
- 7,408,526 B2 * 8/2008 Pan H01Q 1/125 343/880
- 7,641,163 B2 * 1/2010 O'Keene F16M 11/10 248/292.14
- 7,726,617 B2 * 6/2010 Zambelli F16M 11/10 248/288.31

1 Claim, 8 Drawing Sheets



(56)

References Cited

U.S. PATENT DOCUMENTS

8,020,824 B2 * 9/2011 Pan H01Q 1/1207
248/299.1
8,052,107 B2 * 11/2011 Yang H01Q 19/12
248/201
8,215,604 B1 * 7/2012 Keicher H01Q 1/12
248/534
8,339,329 B2 * 12/2012 Shen H01Q 1/125
343/882
8,820,985 B1 * 9/2014 Tam F21V 21/14
362/419
D730,331 S * 5/2015 Wong D14/238
9,478,845 B2 * 10/2016 Hemmervall H01Q 1/1228
D831,014 S * 10/2018 Delibie D14/242
11,038,253 B1 * 6/2021 Tseng H01Q 1/288
2007/0132655 A1 * 6/2007 Lin H01Q 1/125
343/880
2008/0165076 A1 * 7/2008 Pan H01Q 1/125
343/882

OTHER PUBLICATIONS

U.S. Appl. No. 29/753,378, filed Sep. 30, 2020, Satoko Ono.
Notice dated Oct. 16, 2020, by the Japanese Patent Office in
corresponding Japanese Design Patent Application No. 2020-
006201 and an English Translation of the Notice (4 pages).

* cited by examiner

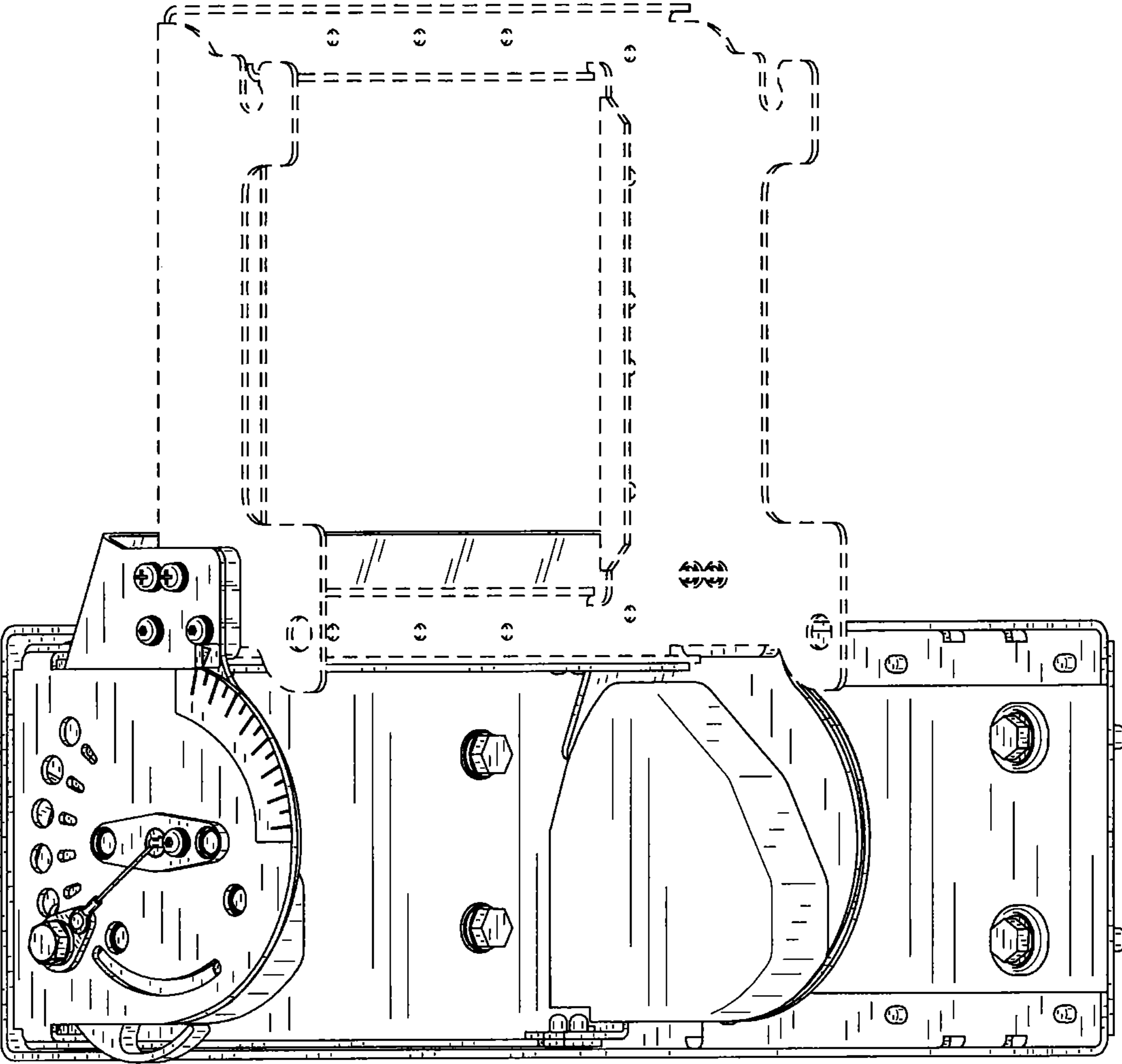


FIG. 1

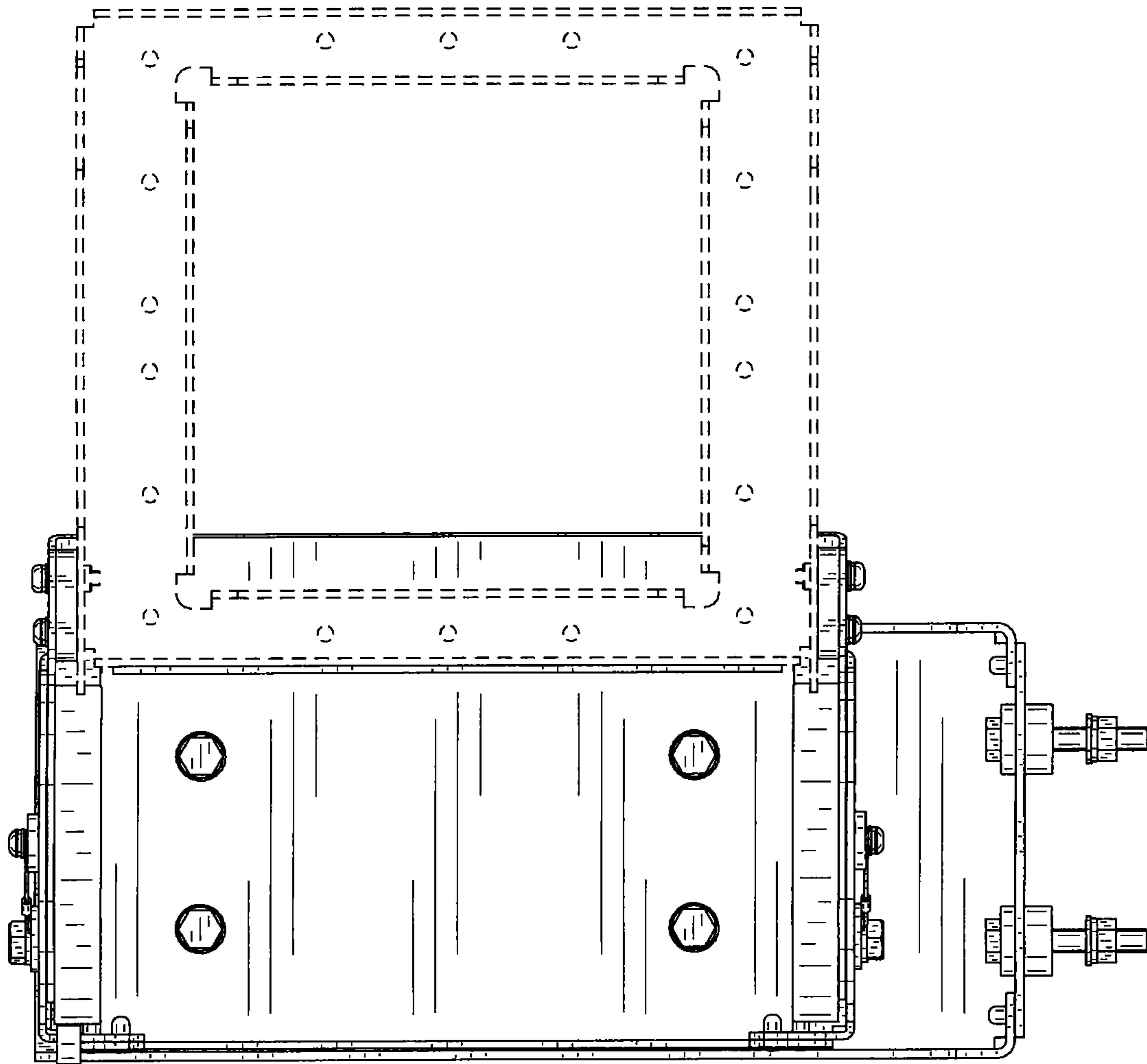


FIG. 2

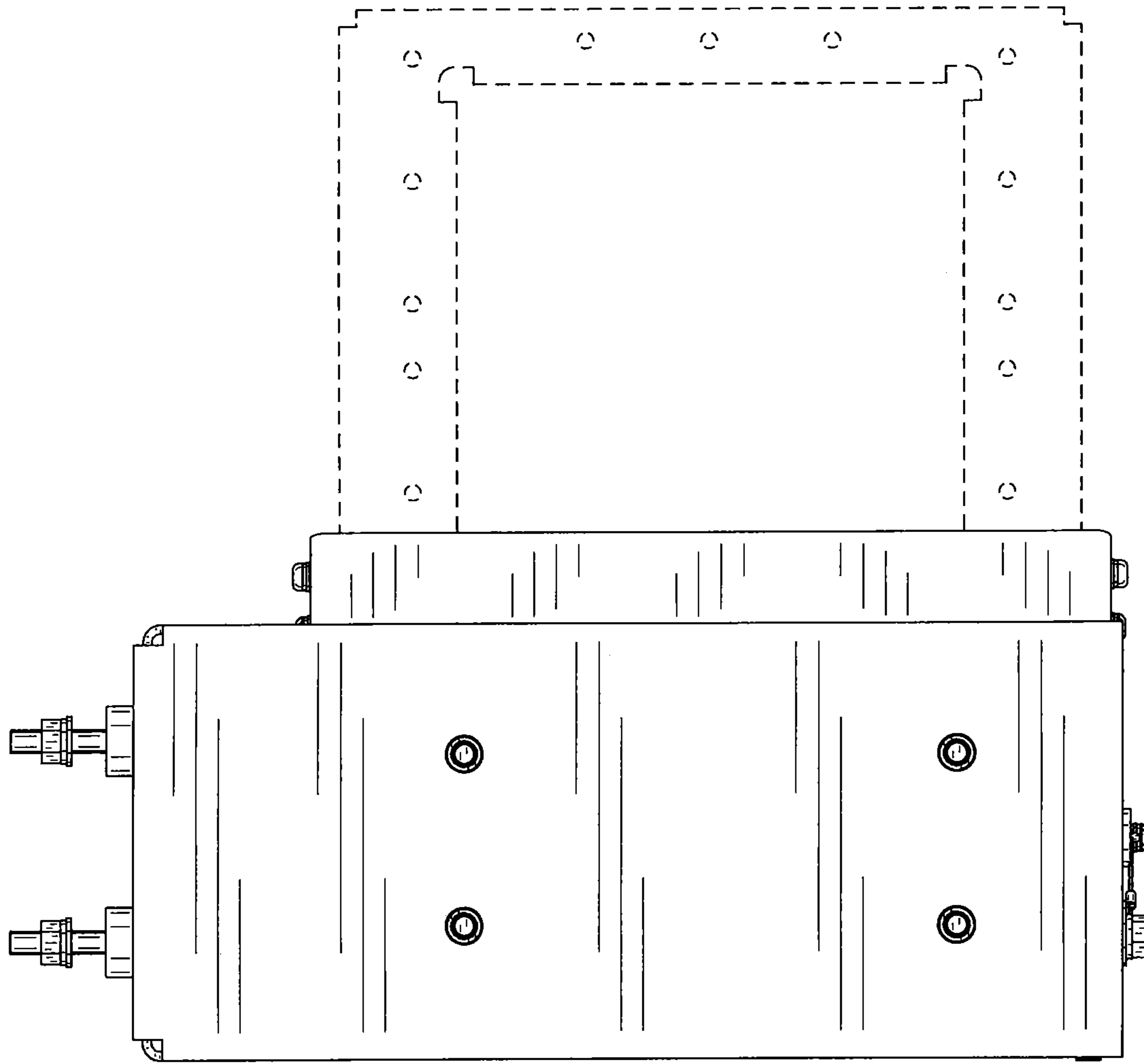


FIG. 3

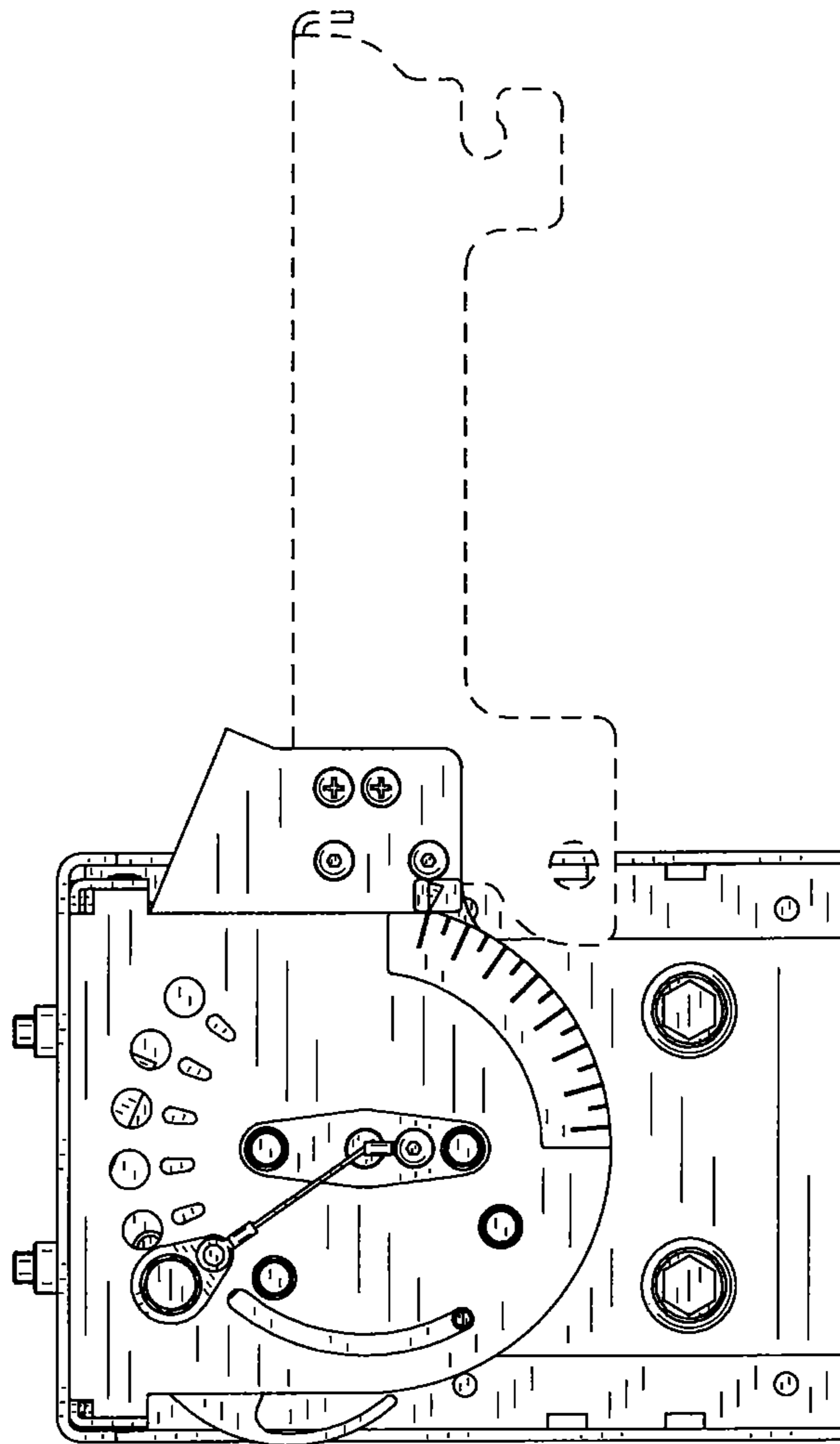


FIG. 4

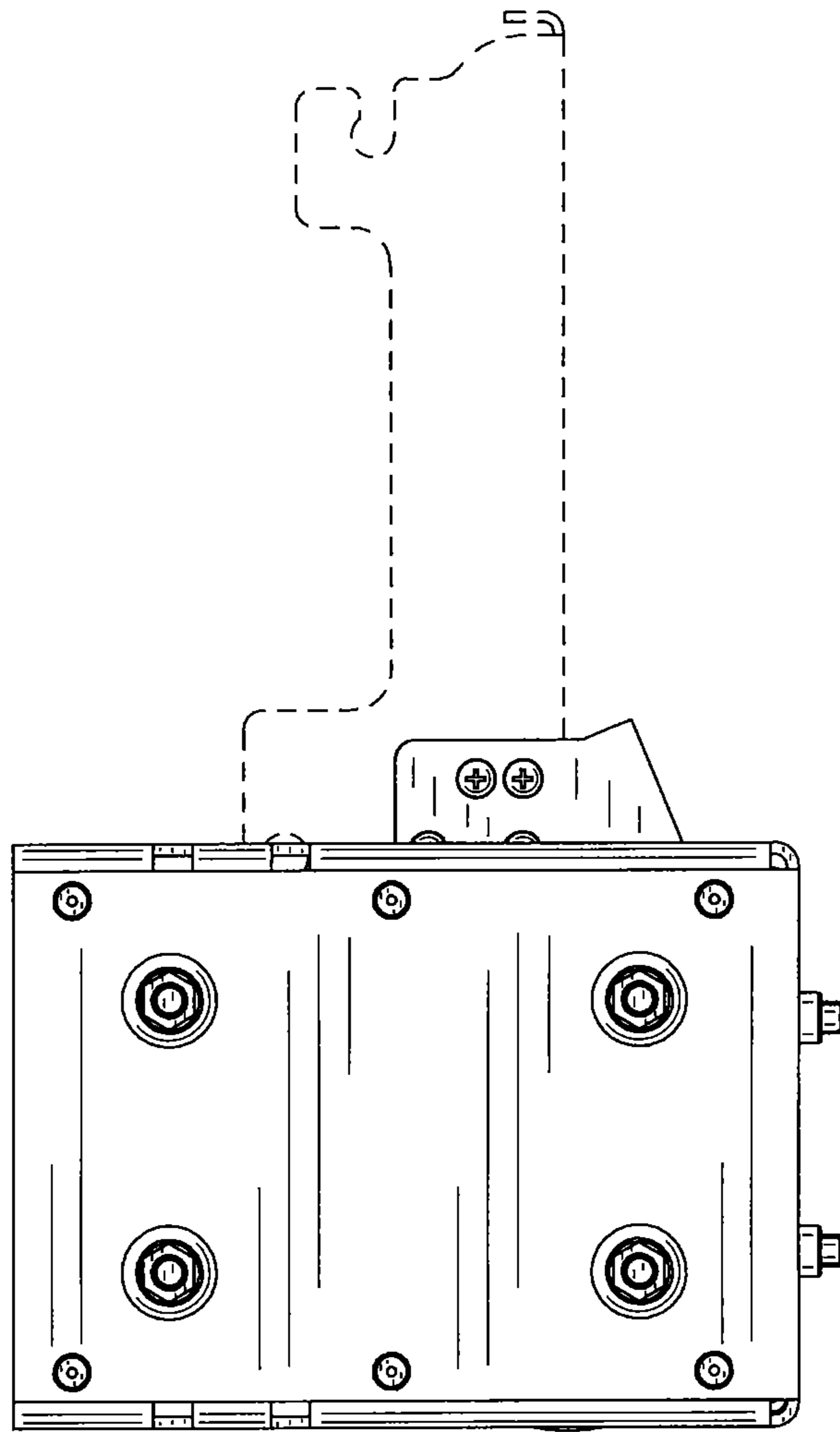


FIG. 5

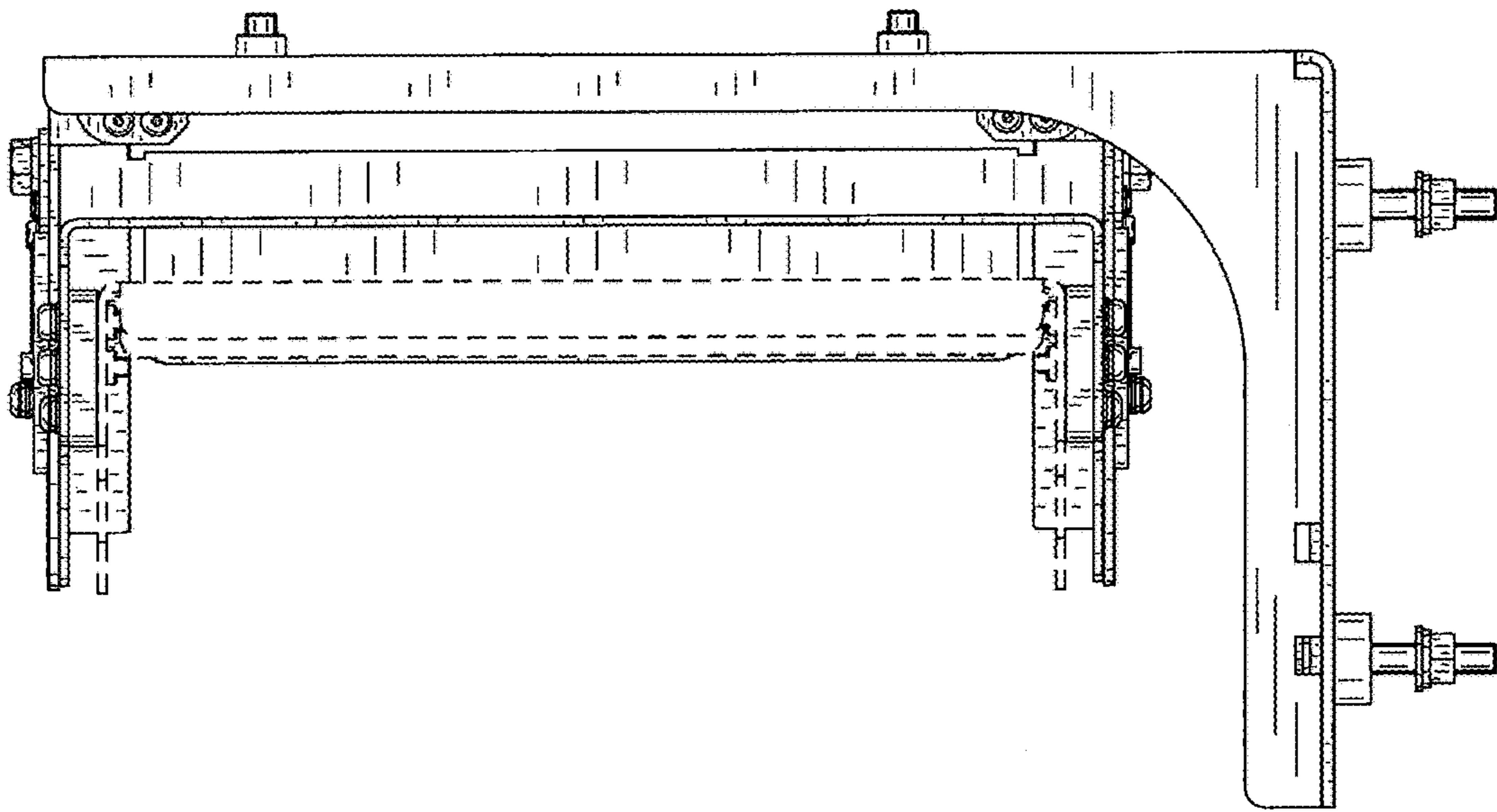


FIG. 6

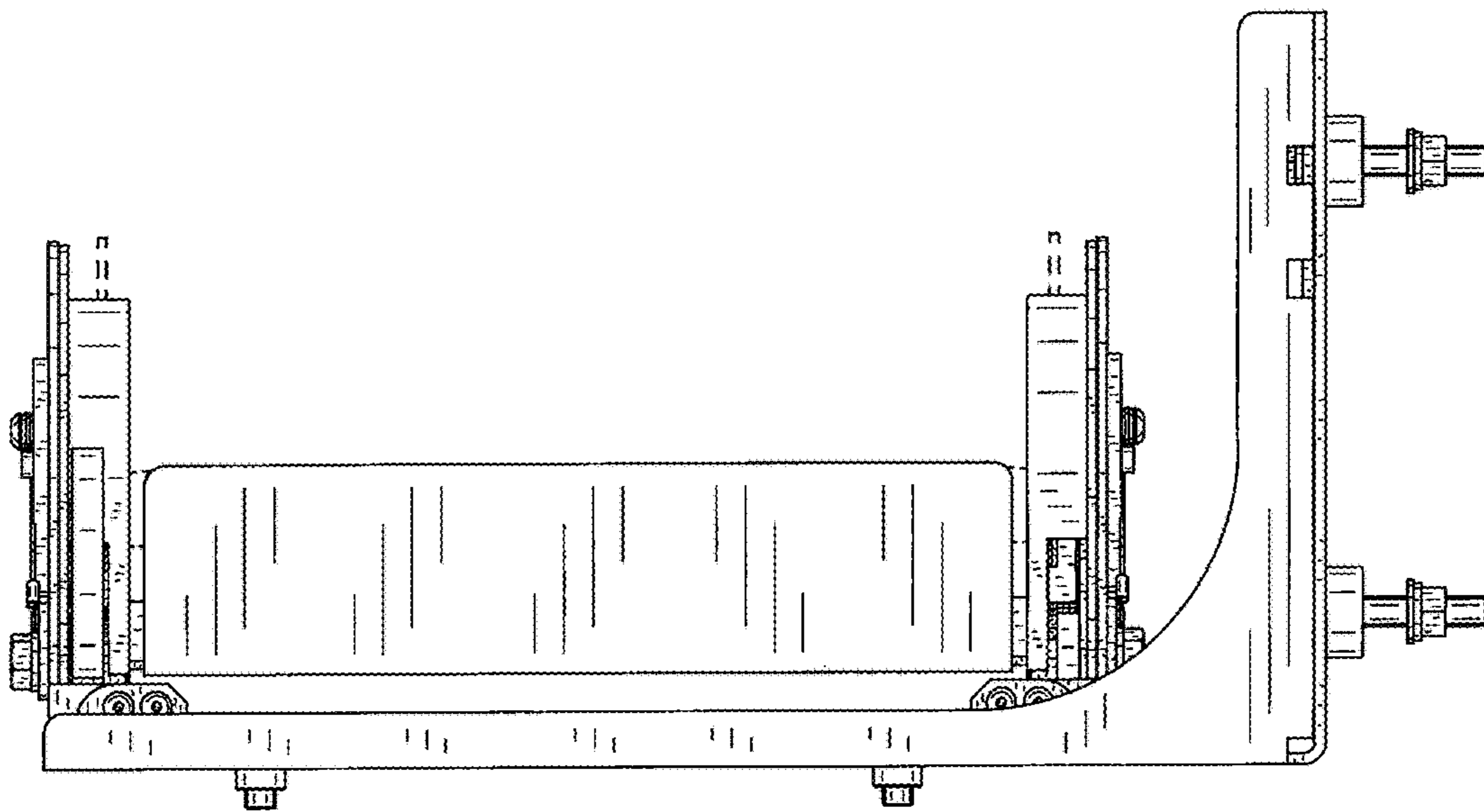


FIG. 7

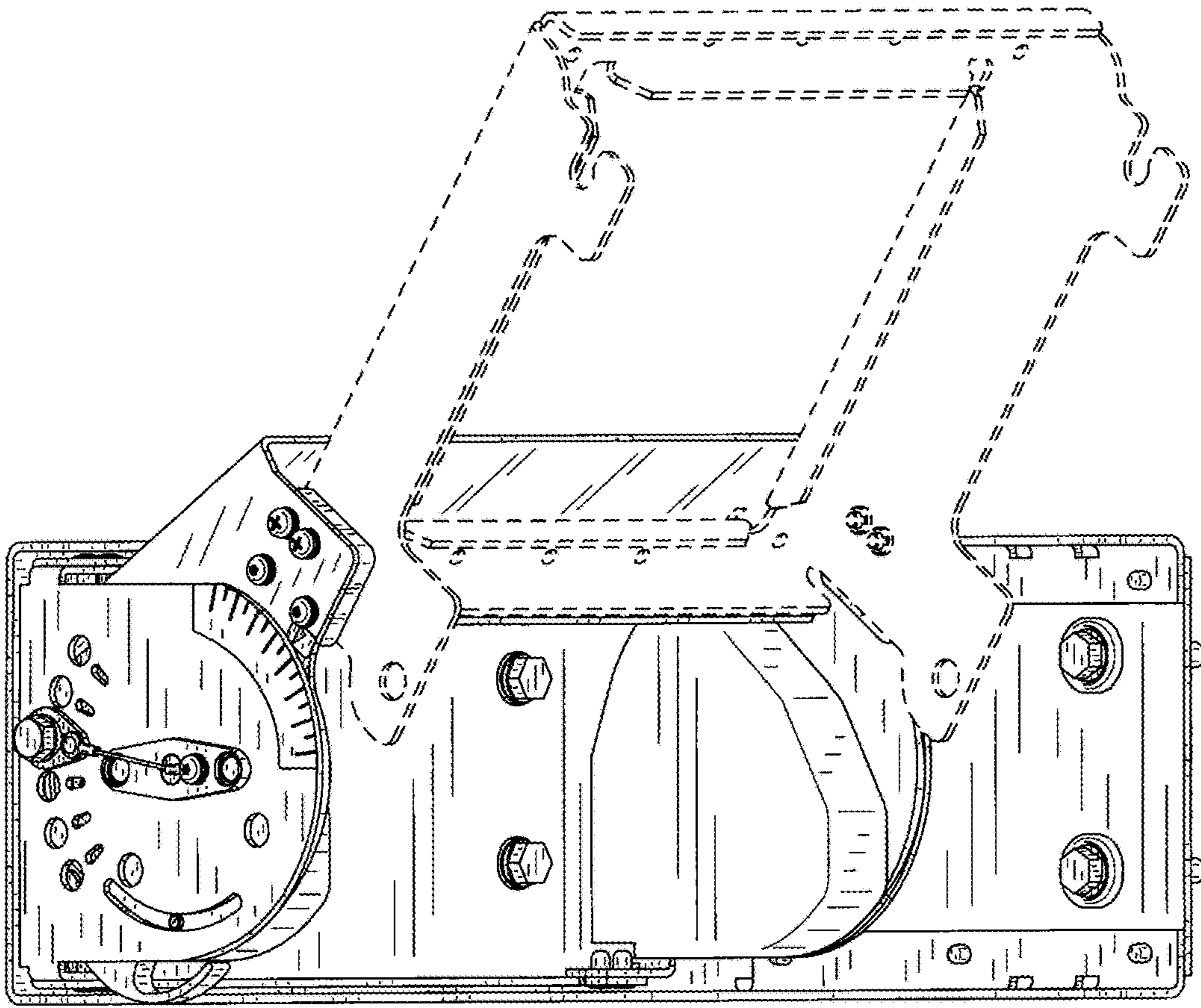


FIG. 8

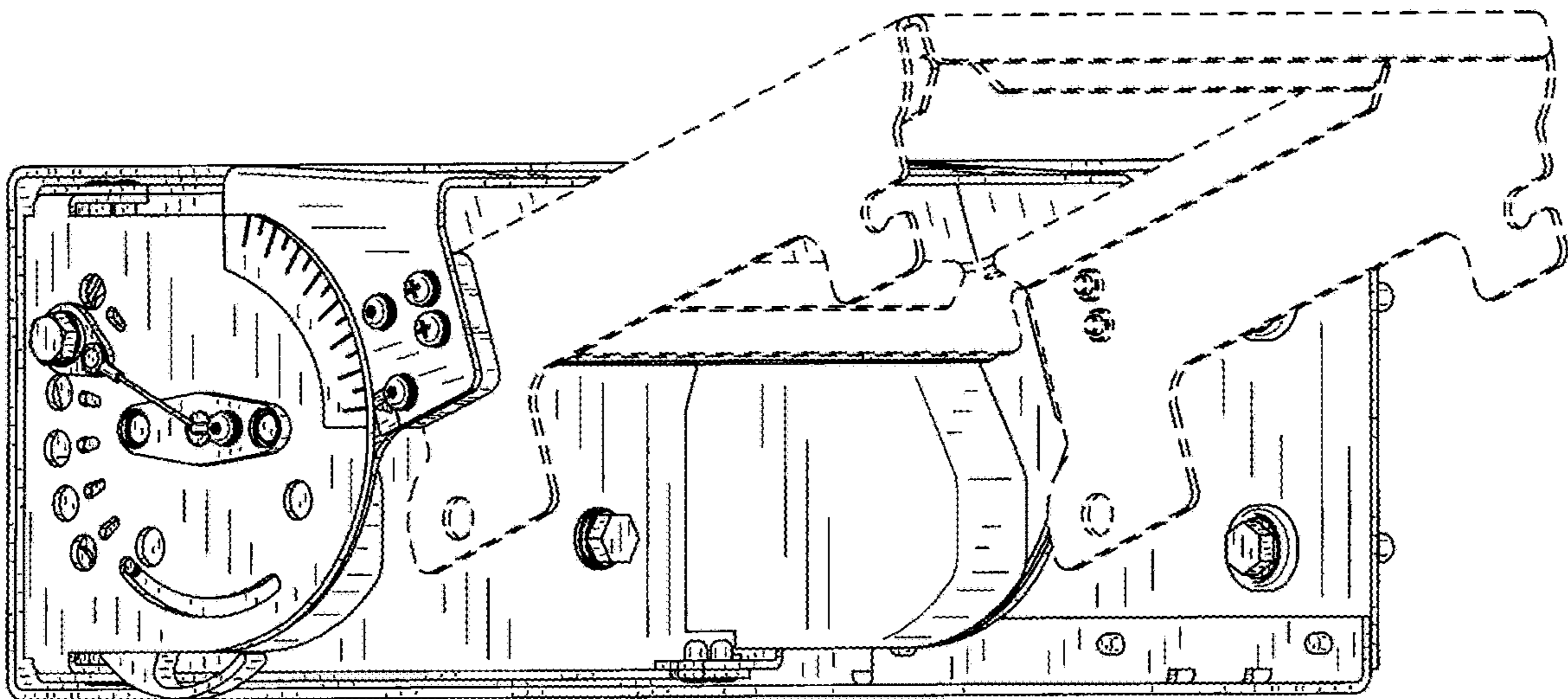


FIG. 9

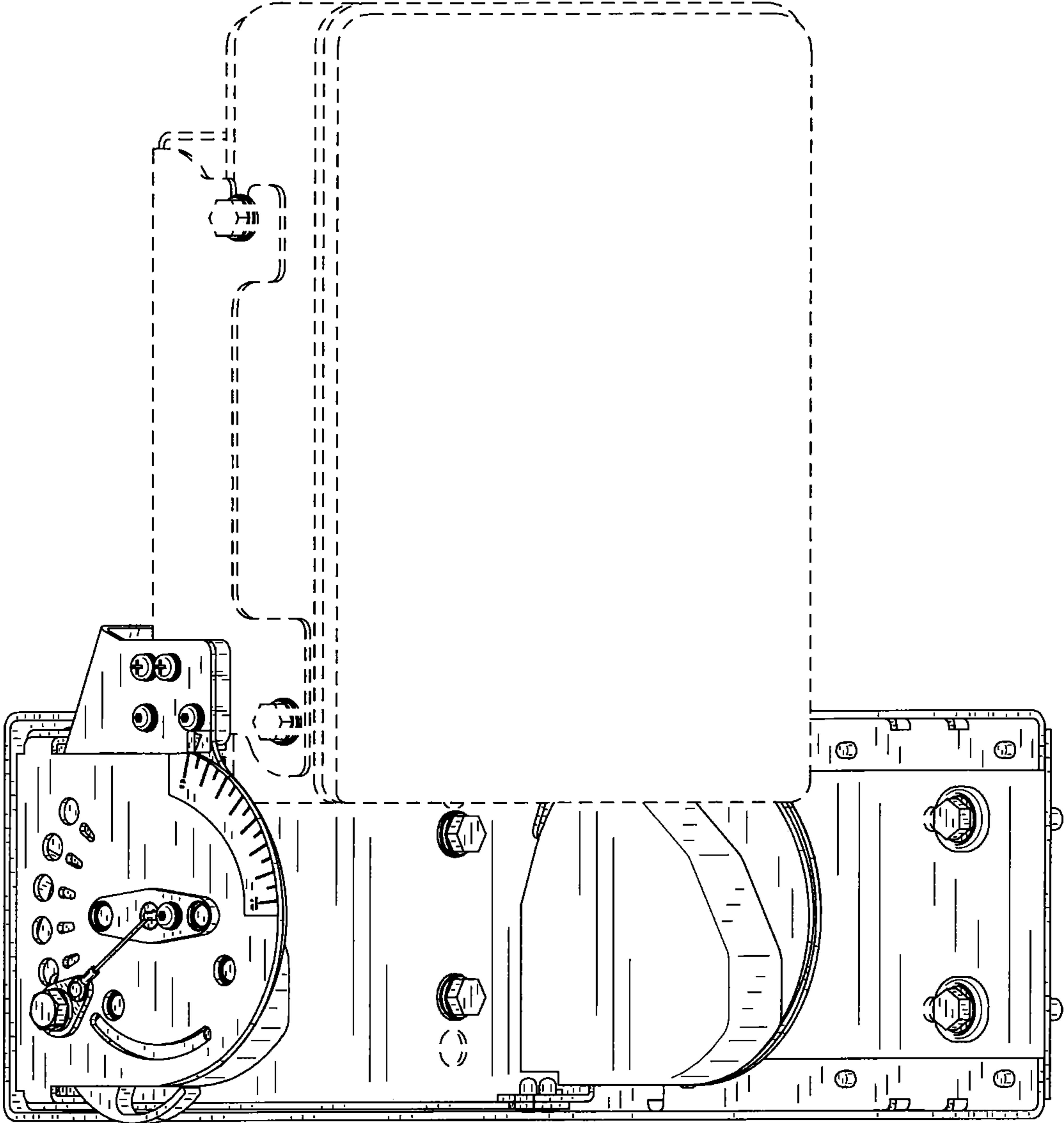


FIG. 10