



US00D952613S

(12) **United States Design Patent**
Wu

(10) **Patent No.:** **US D952,613 S**
(45) **Date of Patent:** **** May 24, 2022**

- (54) **MICROPHONE STAND**
- (71) Applicant: **Wuxi Gleam Musical Instrument Technology Co., Ltd., Wuxi (CN)**
- (72) Inventor: **Yuehua Wu, Wuxi (CN)**
- (73) Assignee: **WUXI GLEAM MUSICAL INSTRUMENT TECHNOLOGY CO., LTD., Wuxi (CN)**
- (**) Term: **15 Years**
- (21) Appl. No.: **29/766,654**
- (22) Filed: **Jan. 18, 2021**
- (30) **Foreign Application Priority Data**

D120,114	S	*	4/1940	Waechter	D6/701
2,204,013	A	*	6/1940	Gaidos	F16M 11/12
						248/168
2,282,285	A	*	5/1942	Olson	F16M 11/046
						16/24
2,318,633	A	*	5/1943	Ries	F16M 11/2057
						248/184.1
2,323,473	A	*	7/1943	Korling	F16M 11/2014
						248/183.1
2,352,794	A	*	7/1944	Love	F16M 11/36
						294/142
2,550,415	A	*	4/1951	Kammermeyer	F16M 11/10
						248/183.1
2,845,244	A	*	7/1958	Prokop	F16M 11/16
						248/188.91
2,896,891	A	*	7/1959	Ernst	F16M 11/38
						248/168

(Continued)

- Sep. 10, 2020 (CN) 202030535528.5
- (51) **LOC (13) Cl.** **14-01**
- (52) **U.S. Cl.**
USPC **D14/229; D14/227**
- (58) **Field of Classification Search**
USPC D14/229, 226, 227; D6/701, 673;
D16/132; 248/123.2, 168-169; 24/523;
160/24; 381/362; 362/11; 40/607.12;
403/376, 58; 16/24
CPC G03B 17/00; A47B 97/00; A47B 91/00
See application file for complete search history.

FOREIGN PATENT DOCUMENTS

CN	3166356	*	11/2000
CN	305236241	*	6/2019
GB	4010252	*	8/2008

Primary Examiner — Paula Allen Greene
(74) *Attorney, Agent, or Firm* — Bayramoglu Law Offices LLC

(57) **CLAIM**

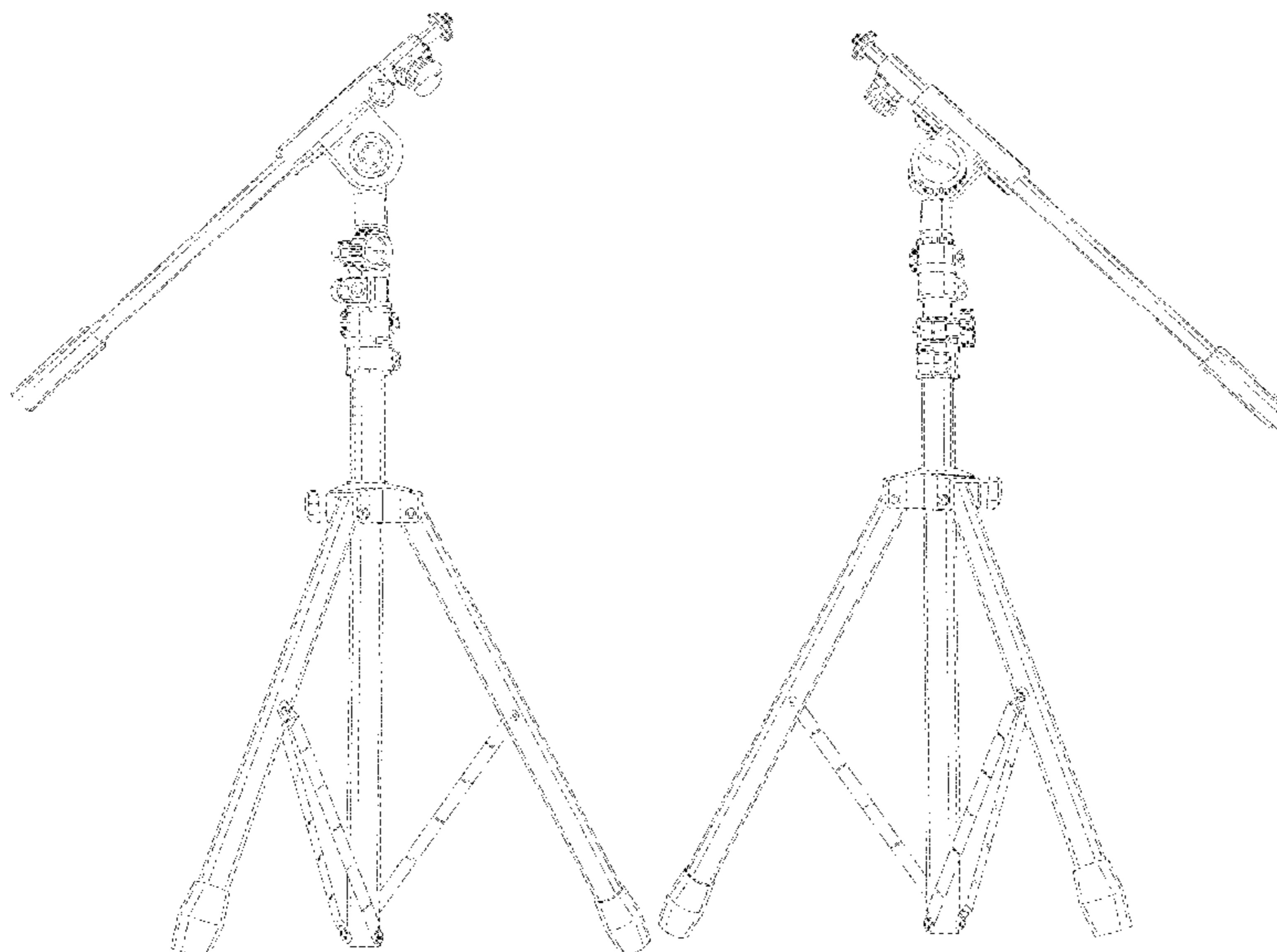
The ornamental design for a microphone stand, as shown and described.

DESCRIPTION

FIG. 1 is a perspective view of a microphone stand showing my new design;
FIG. 2 is a front view thereof;
FIG. 3 is a rear view thereof;
FIG. 4 is a left side view thereof;
FIG. 5 is a right side view thereof;
FIG. 6 is a top view thereof; and,
FIG. 7 is a bottom view thereof.

1 Claim, 7 Drawing Sheets

- (56) **References Cited**
- U.S. PATENT DOCUMENTS**
- 1,346,740 A * 7/1920 Cathcart A47B 19/002
248/462
- 1,854,951 A * 4/1932 Neuwirth F16M 11/10
403/147
- 1,942,925 A * 1/1934 Jenkins H04R 1/08
381/362
- 2,143,606 A * 1/1939 Mooney F16M 11/16
248/183.2



(56)

References Cited

U.S. PATENT DOCUMENTS

2,962,251 A *	11/1960	Karpf	F16M 11/10	D421,447 S *	3/2000	Eason	D16/244
			396/428	D435,365 S *	12/2000	Eason	D16/244
3,006,052 A *	10/1961	Stickney	F16M 11/10	6,283,421 B1 *	9/2001	Eason	F16M 11/28
			396/428				248/188.7
3,445,082 A *	5/1969	Frazer	F41A 23/08	D450,339 S *	11/2001	Eason	D16/244
			248/183.3	6,349,905 B1 *	2/2002	Mills	F16M 11/28
3,970,835 A *	7/1976	Crete	G03B 15/02				248/278.1
			362/11	6,513,768 B1 *	2/2003	Hsieh	F16M 13/02
D243,328 S *	2/1977	Kawazoe	D16/244				248/443
D257,261 S *	10/1980	Shinohara	D16/244	7,258,320 B2 *	8/2007	Tai	A47B 19/002
4,234,149 A *	11/1980	Kawazoe	F16M 11/28				248/463
			248/184.1	D576,870 S *	9/2008	Eason	F16B 7/0493
4,240,129 A *	12/1980	Kawazoe	G03B 15/03				D17/22
			248/222.13	D632,720 S *	2/2011	Barker	D16/244
4,289,393 A *	9/1981	Kawazoe	F16M 13/00	D657,977 S *	4/2012	Belitz	D6/681.1
			396/428	D673,204 S *	12/2012	Bae	D16/244
4,309,099 A *	1/1982	Flint	F16M 11/10	D687,421 S *	8/2013	Slaton	D14/229
			396/428	D720,384 S *	12/2014	Holmen	D16/244
4,317,552 A *	3/1982	Weidler	F16M 13/00	9,004,419 B2 *	4/2015	Nakatani	F16M 11/32
			248/168				248/178.1
4,324,477 A *	4/1982	Miyazaki	F16M 11/2021	D774,022 S *	12/2016	Huang	D14/229
			396/419	D807,421 S *	1/2018	Yin	D16/244
4,544,120 A *	10/1985	Lowell	F16M 11/105	D821,483 S *	6/2018	Vitale	D16/244
			24/523	D854,074 S *	7/2019	Glazer	D16/244
D286,478 S *	11/1986	Oakes, Jr.	D6/673	D861,769 S *	10/2019	Paterson	D16/244
4,648,697 A *	3/1987	Kawazoe	F16M 13/00	D864,282 S *	10/2019	Liu	D16/244
			396/419	D866,534 S *	11/2019	Horton	D14/229
D289,835 S *	5/1987	Schoenig	D14/229	D881,853 S *	4/2020	Horton	D14/229
4,823,720 A *	4/1989	Foster	B63H 9/065	D889,442 S *	7/2020	Bovin	D14/228
			114/97	2008/0011344 A1 *	1/2008	Barker	G03B 17/561
5,003,328 A *	3/1991	Gaynor	F16M 11/36				135/66
			396/428	2010/0019109 A1 *	1/2010	Liu	F16M 11/16
5,211,498 A *	5/1993	Huang	A47D 13/063				248/188
			5/99.1	2011/0260016 A1 *	10/2011	Johnson	F16M 11/32
5,324,235 A *	6/1994	Tomii	F16D 1/0864				248/220.21
			464/182	2015/0076296 A1 *	3/2015	Yang	F16M 11/32
5,551,655 A *	9/1996	Berger	F16M 11/10				248/163.2
			248/185.1	2015/0338017 A1 *	11/2015	De Faveri	F16M 11/24
							396/428

* cited by examiner

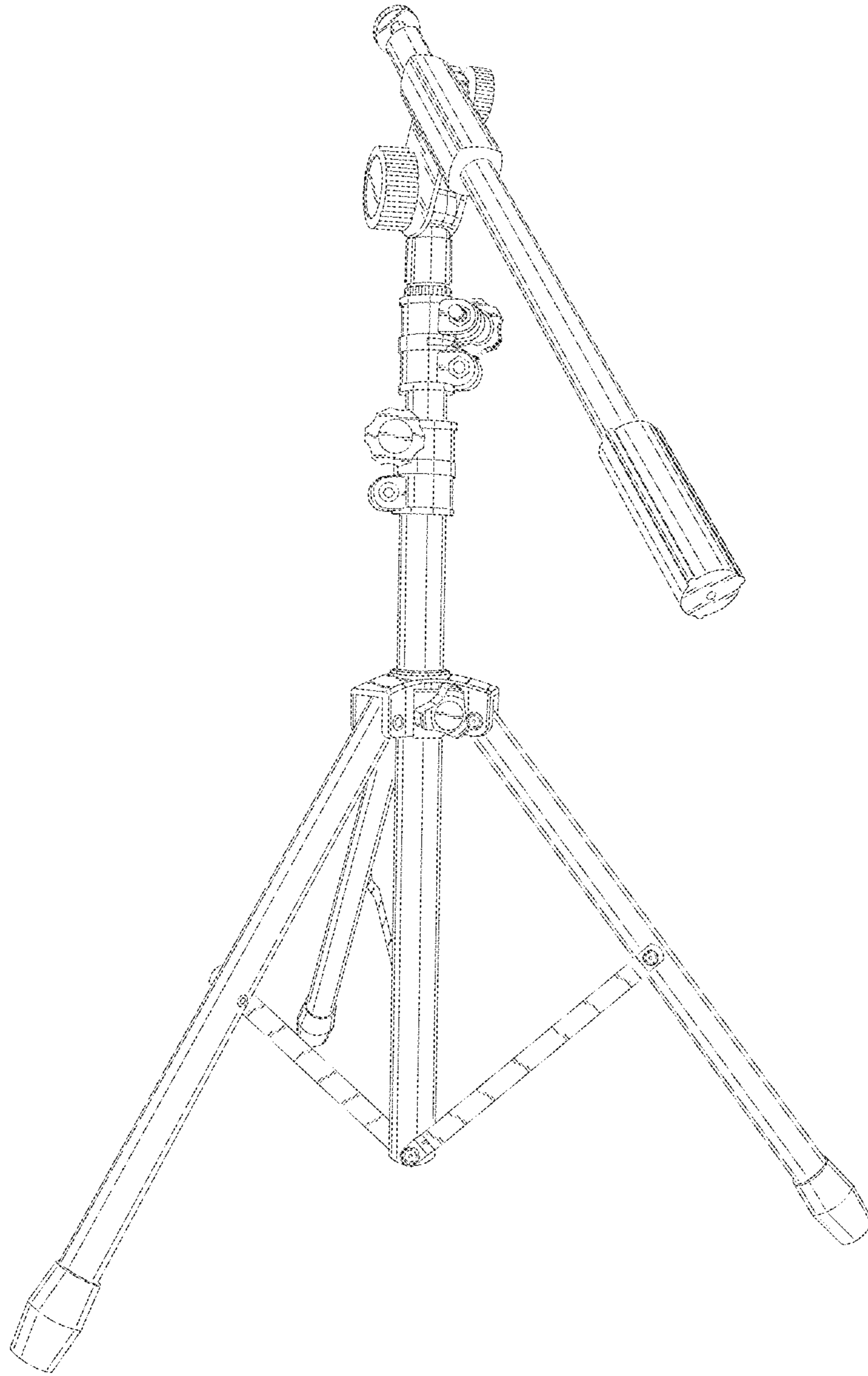


FIG. 1

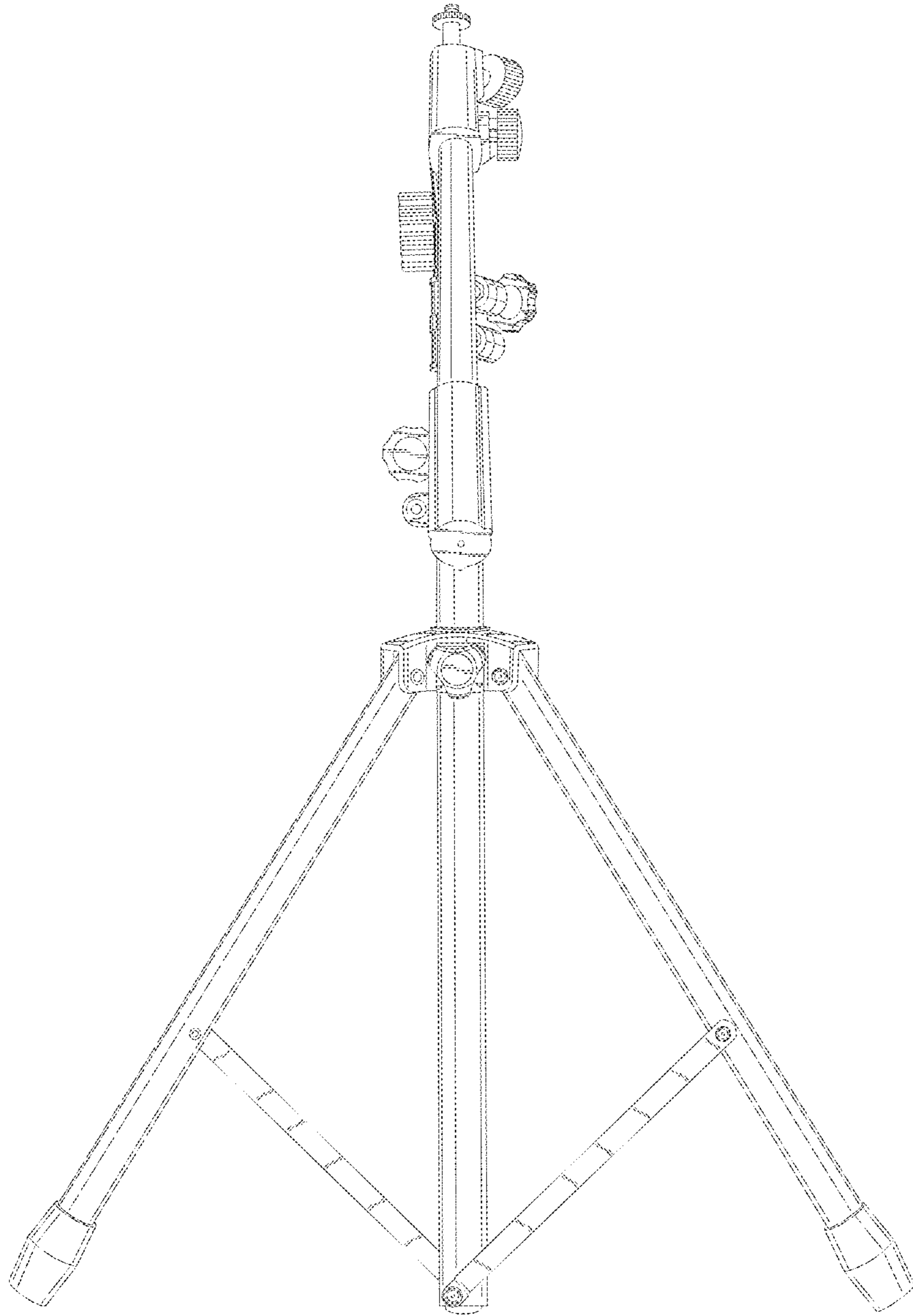


FIG. 2

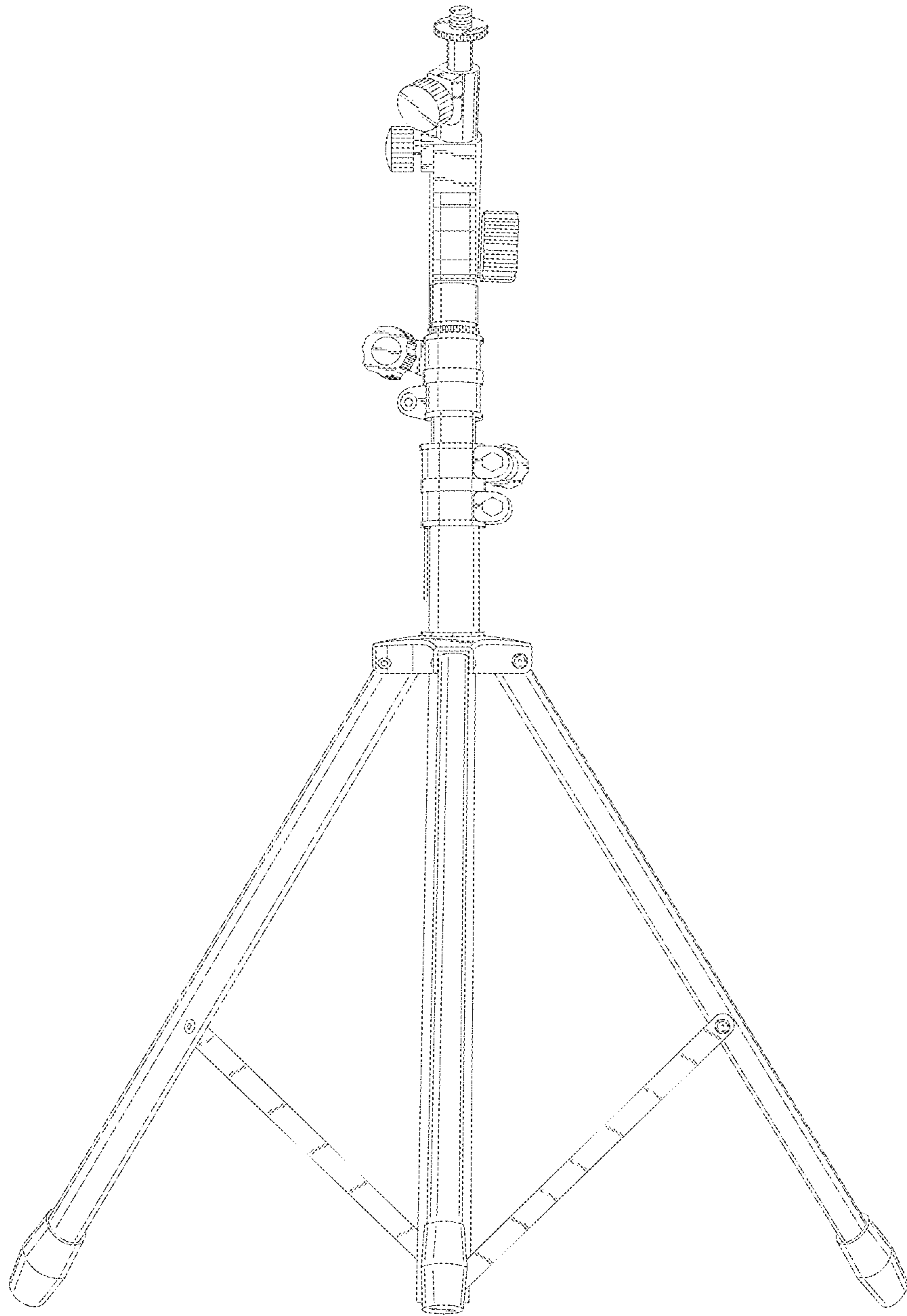


FIG. 3

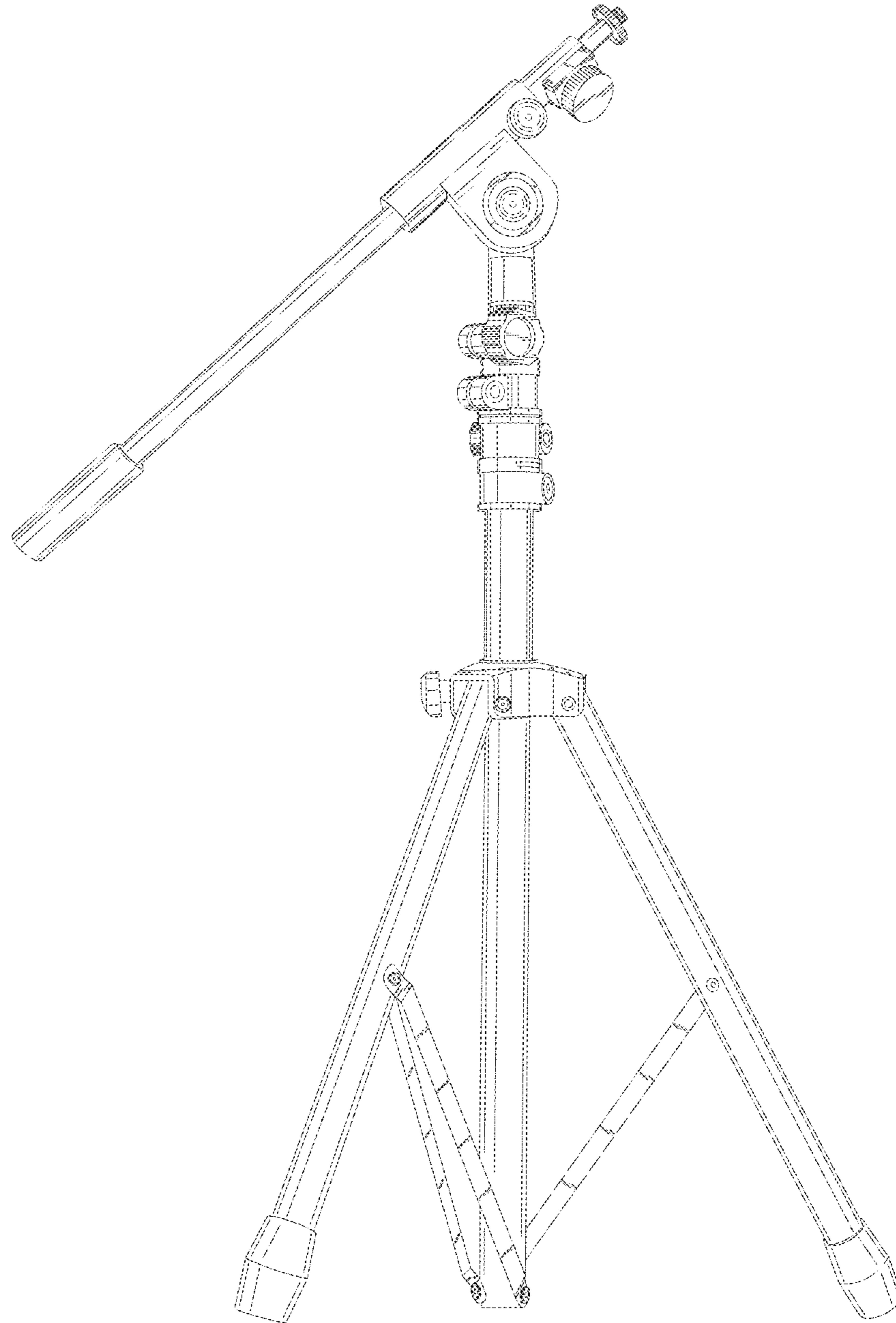


FIG. 4

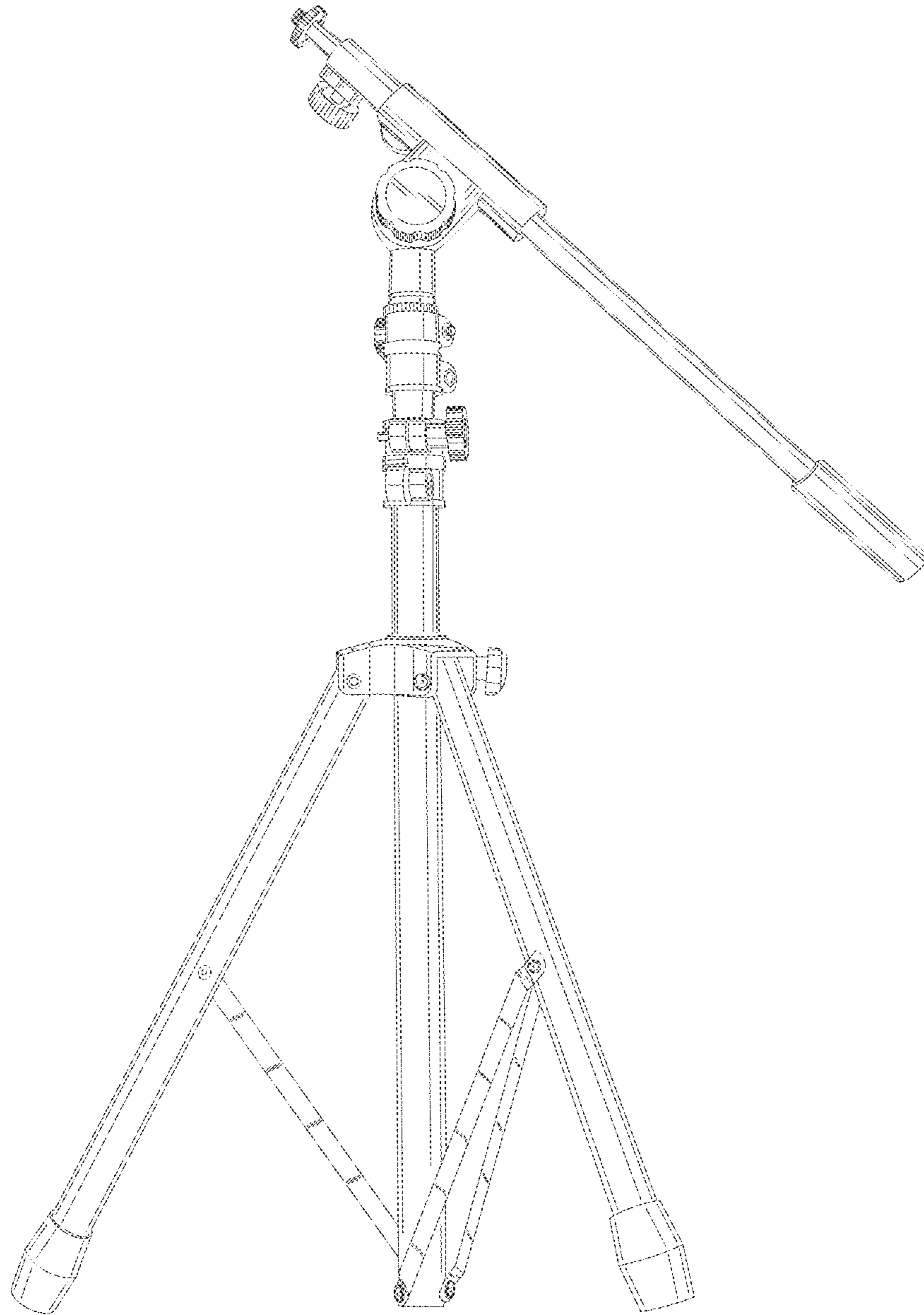


FIG. 5

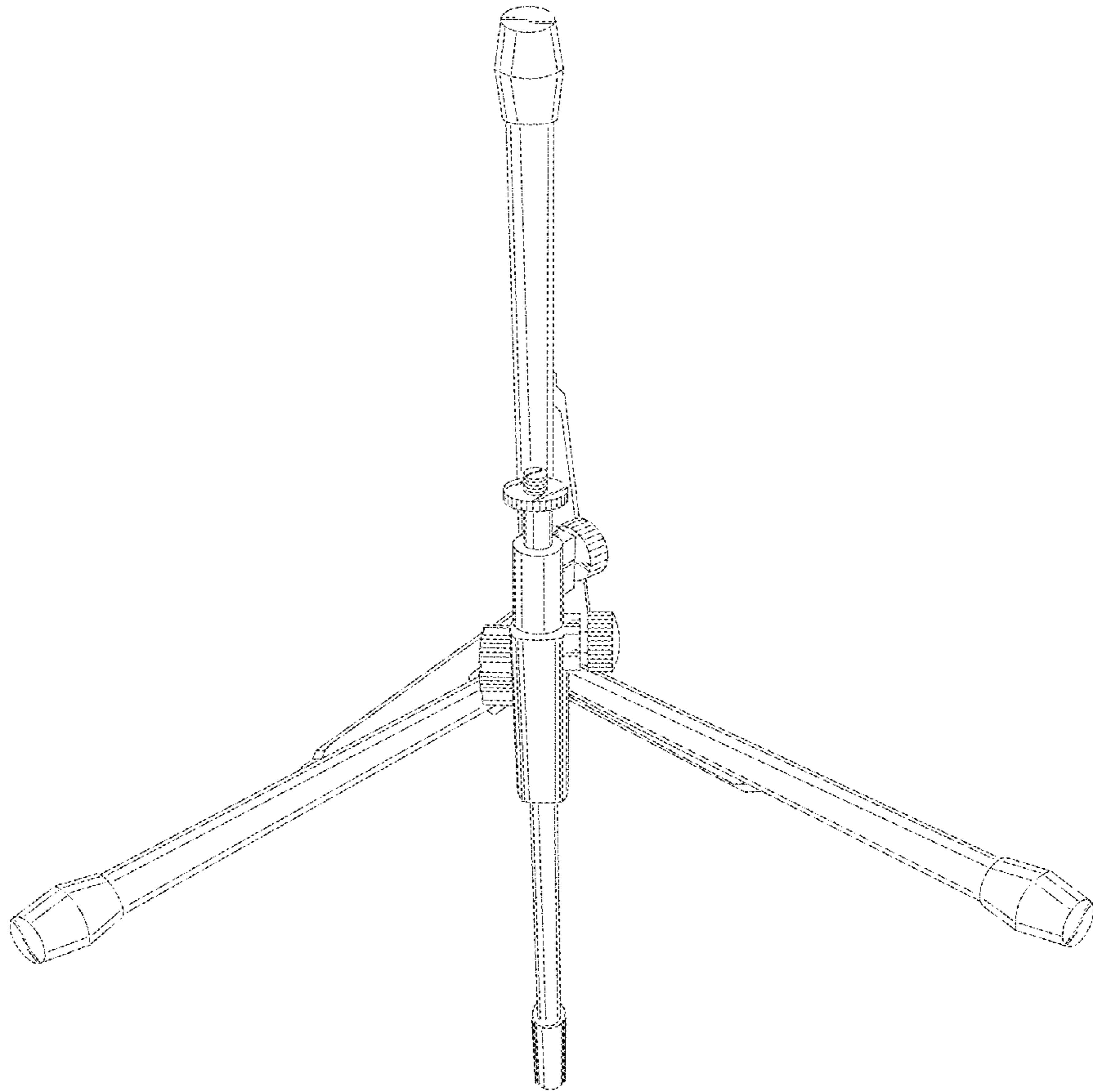


FIG. 6

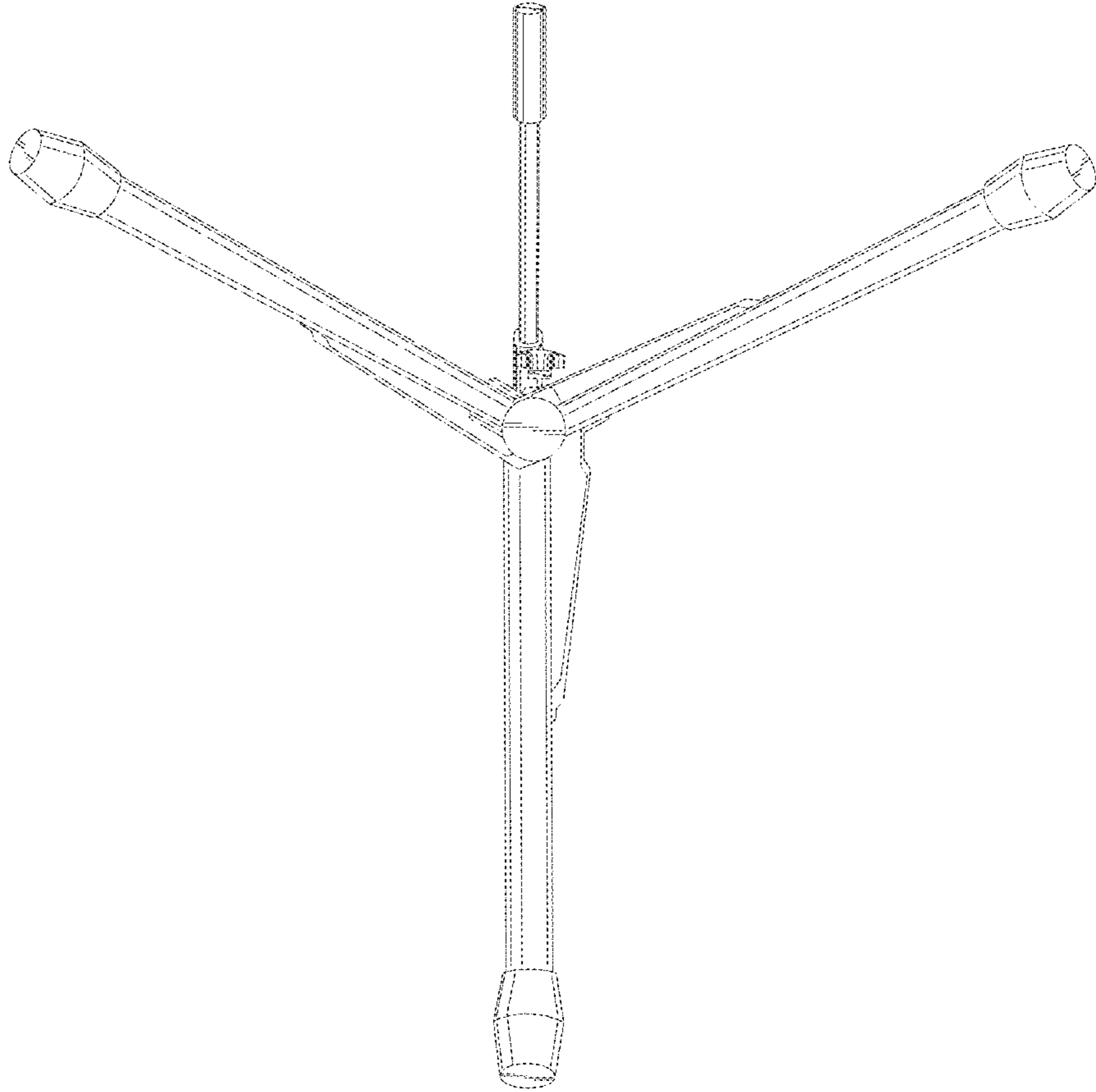


FIG. 7