

US00D952612S

(12) **United States Design Patent** (10) **Patent No.:** **US D952,612 S**
Malone (45) **Date of Patent:** **** May 24, 2022**

(54) **AUDIO DEVICE WALL MOUNT**

- (71) Applicant: **Sonos, Inc.**, Santa Barbara, CA (US)
- (72) Inventor: **Matthew Malone**, Los Angeles, CA (US)
- (73) Assignee: **Sonos, Inc.**, Santa Barbara, CA (US)
- (**) Term: **15 Years**
- (21) Appl. No.: **29/727,726**
- (22) Filed: **Mar. 12, 2020**
- (51) **LOC (13) Cl.** **14-01**
- (52) **U.S. Cl.**
USPC **D14/224**
- (58) **Field of Classification Search**
USPC D14/204, 209, 209.1, 210, 211, 212, 15,
D14/217, 221, 222, 224, 224.1, 225, 226,
D14/227, 229, 251, 149, 253, 466;
D6/682, 675.1, 672, 673
CPC ... G10G 5/00; A47B 61/04; A47F 7/00; A47F
7/0028; A47F 7/0035; A47F 7/0042;
A47F 5/04; A47J 47/16; H04R 19/04;
H04R 19/00; H04R 1/406; H04R 1/08;
H04R 1/04; H04R 1/326; H04R 29/004;
H04R 2410/00; H04R 2410/01; H04R
2410/03; H04R 2410/05; H04R 2410/07;
H04R 2420/07; H04R 17/02
See application file for complete search history.

(56) **References Cited**

U.S. PATENT DOCUMENTS

- 4,993,675 A * 2/1991 Walker A47G 23/0266
220/737
- D720,154 S * 12/2014 Provost D6/526
- 9,103,487 B2 * 8/2015 Hale F16M 13/022
- D751,558 S * 3/2016 Lee D14/432
- D849,459 S * 5/2019 Wang D6/675.1
- D865,772 S * 11/2019 Theisen D14/452
- D892,773 S * 8/2020 McGee D14/229
- D907,013 S * 1/2021 Lu D14/224
- D920,322 S * 5/2021 Stefanelli D14/253

(Continued)

FOREIGN PATENT DOCUMENTS

- CN 306236728 * 12/2020
- CN 306289538 * 1/2021

(Continued)

OTHER PUBLICATIONS

Sanus—Adjustable Wall Mount for Sonos ONE, announced Jul. 2018 [online], retrieved Aug. 2, 2021, retrieved from internet, <https://www.bestbuy.com/site/sanus-adjustable-wall-mount-for-sonos-one-play1-and-play3-speakers-black/6220563.p?skuId=6220563>.*

(Continued)

Primary Examiner — Dana K Weiland
Assistant Examiner — Messina L Smith
(74) *Attorney, Agent, or Firm* — KPPB LLP

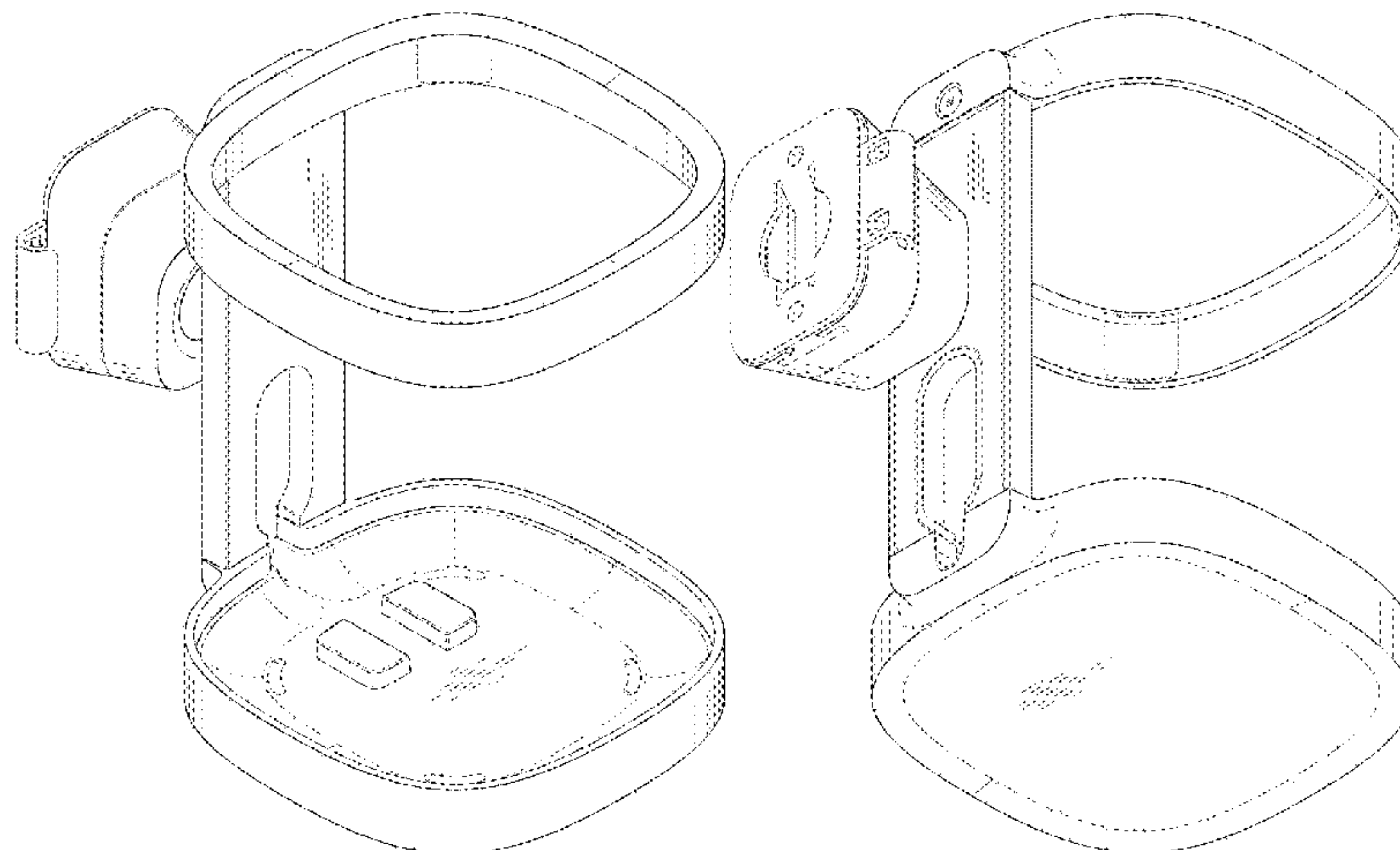
(57) **CLAIM**

The ornamental design for an audio device wall mount, as shown and described.

DESCRIPTION

FIG. 1 is a front elevation view of an audio device wall mount;
FIG. 2 is a rear elevation view thereof;
FIG. 3 is top plan view thereof;
FIG. 4 is a bottom plan view thereof;
FIG. 5 is a first side view thereof;
FIG. 6 is a second side view thereof;
FIG. 7 is a perspective view thereof; and,
FIG. 8 is a bottom perspective view thereof.
The dashed broken lines in the figures illustrate the portions of the audio device wall mount that form no part of the claimed design.
The dot-dash broken lines illustrate boundary lines and form no part of the claimed design.

1 Claim, 8 Drawing Sheets



(56)

References Cited

U.S. PATENT DOCUMENTS

D925,515 S * 7/2021 Korneluk D14/253
 2021/0218207 A1 * 7/2021 Curtin A61N 1/3975

FOREIGN PATENT DOCUMENTS

CN 306604132 * 6/2021
 GB 6088741 * 5/2020
 GB 6109415 * 12/2020

OTHER PUBLICATIONS

Sonos Wall Mount, announced © 2021 [online], retrieved Aug. 2, 2021, retrieved from internet, https://www.sonos.com/en-us/shop/wall-mount-one-play1-pair-black.html?utm_campaign=GGL_US_EN_SONOS_B_PLA_SHOPPING_SMART-CATCH-ALL_360i&utm_medium=cpc&utm_source=google&utm_content=GGL_US_EN_SONOS_B_PLA_SHOPPING_SMART-CATCH-ALL_360i&utm_term=PRODUCT_GROUP&gclid=CjwKCAjwr56IBhAvEiwA1fuqGu4yPUTEIO1ripuFe7zuzkTBvbC0ecFaRvyu0VvY80FWTgw7UeglORoCsZsQAvD_BwE&gclsrc=aw.ds.
 VIVO White Dual Wall Mount Brackets, announced Feb. 27, 2018 [online], retrieved Aug. 2, 2021, retrieved from internet, <https://www.amazon.com/VIVO-White-Speaker-Designed-Brackets/dp/>

B07B45852Y/ref=asc_df_B07B45852Y/?tag=hyprod-20&linkCode=df0&hvadid=241935719665&hvpos=&hvnetw=g&hvrnd=3850662496754572857&hvpon=&hvptwo=&hvqmt=&hvdev=c&hvdvcmdl=&hvlocint=&hvlocphy=9008161&hvtargid=pla-556559628637&psc=1.*

Speaker Wall Mount and Ceiling Mount for Sonos One, announced Jun. 15, 2020 [online], retrieved Aug. 2, 2021, retrieved from internet, https://www.amazon.com/dp/B08B5N5LWG/ref=sspa_dk_detail_3?psc=1&pd_rd_i=B08B5N5LWGp13NParams&spLa=ZW5jcnlwdGVkUXVhbGlmaWVyPUEFFVEZEOTY1NVRDTVEmZW5jcnlwdGVkSWQ9QTA2ODM2OTQyVVRNQ09BMFIHRjA0JmVuY3J5cHRlZEFkSWQ9QTA1ODk0OTUzU0ZJTTIEVjBLRFJEJndpZGdlde5hbWU9c3BfZGV0YWIsMiZhY3Rpb249Y2xpY2tSZWRpcmVjdCZkb05vdExvZ0NsaWNrPXRydWU=.*

Speaker Wall Mount for Sonos One, announced Aug. 23, 2020 [online], retrieved Aug. 2, 2021, retrieved from internet, https://www.amazon.com/Speaker-Swivel-Adjustment-Ceiling-Compatible/dp/B08DFHJWV7/ref=pd_di_sccai_14/132-9957961-8118323?pd_rd_w=Wn6kA&pf_rd_p=c9443270-b914-4430-a90b-72e3e7e784e0&pf_rd_r=M6XG3EBEEBJ5E8SB6JKP&pd_rd_r=a021016a-8f4c-4c9f-9b35-113935af5ea9&pd_rd_wg=pVtRI&pd_rd_i=B08DFHJWV7&psc=1.*

“Wall Mount for Sonos One”, Flexson, Oct. 18, 2017, retrieved from https://www.flexson.de/media/pdf/28/70/3a/33561_Datenblatt.pdf on Jun. 9, 2020, 1 pg.

* cited by examiner

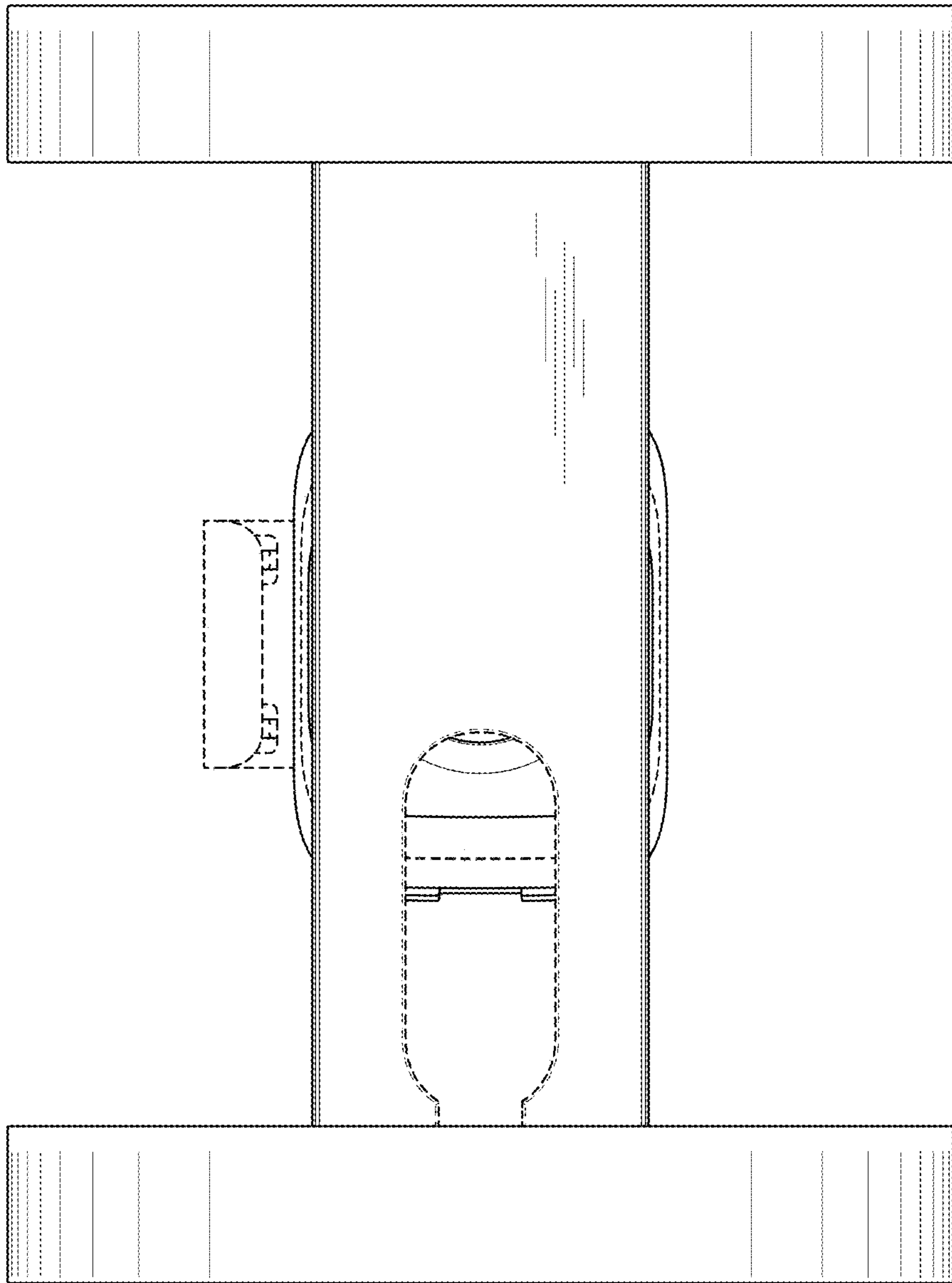


Fig. 1

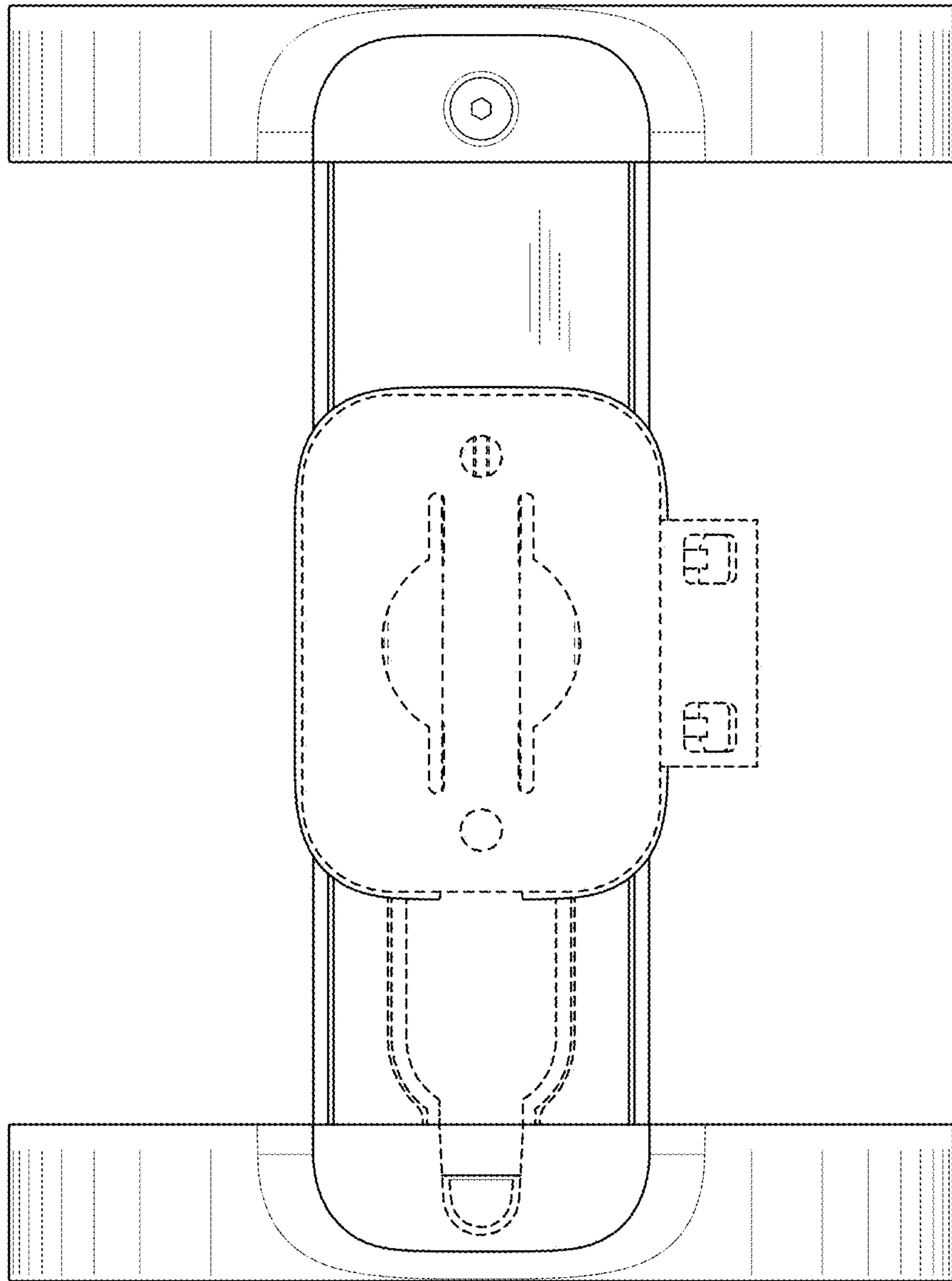


Fig. 2

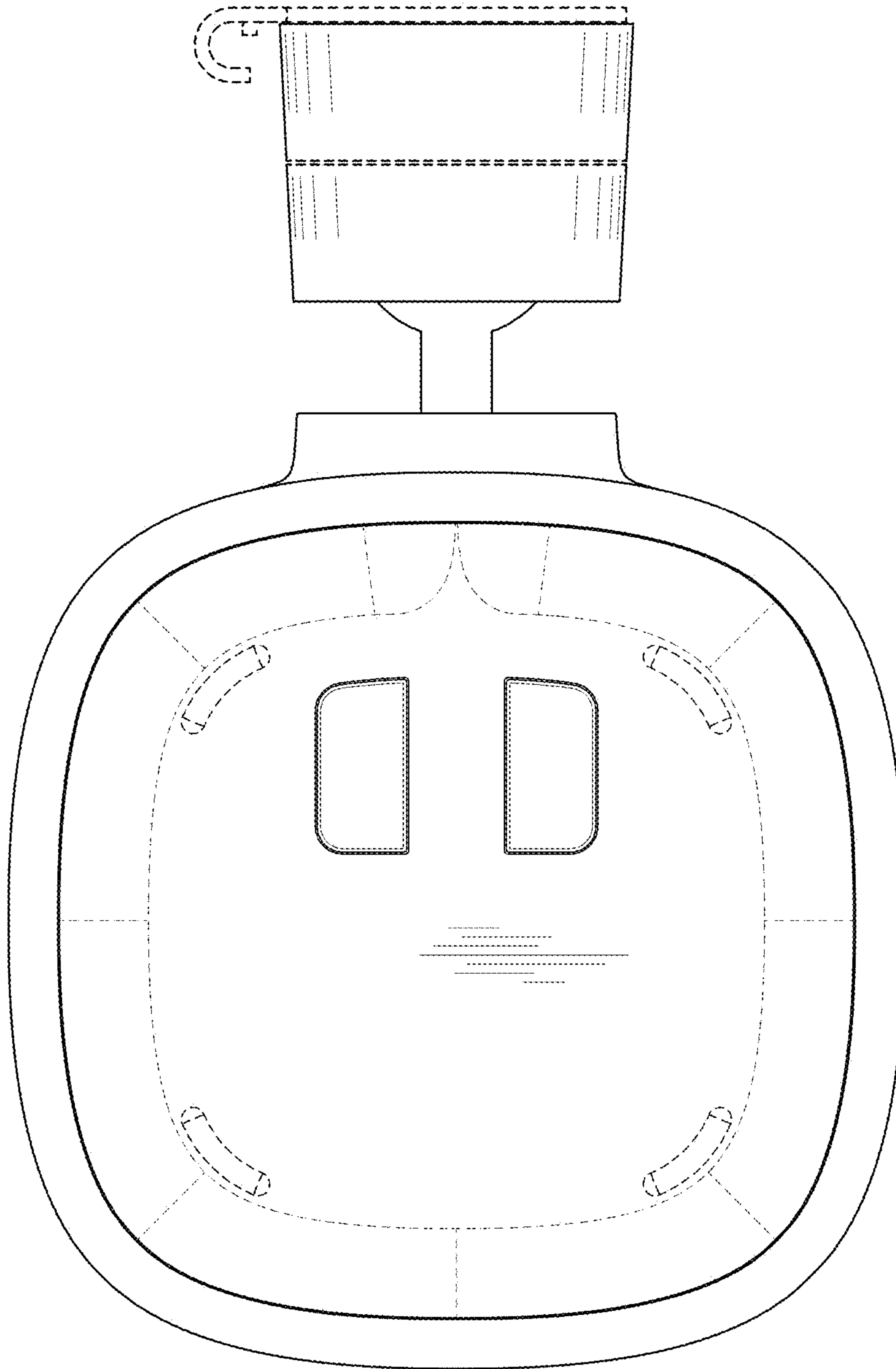


Fig. 3

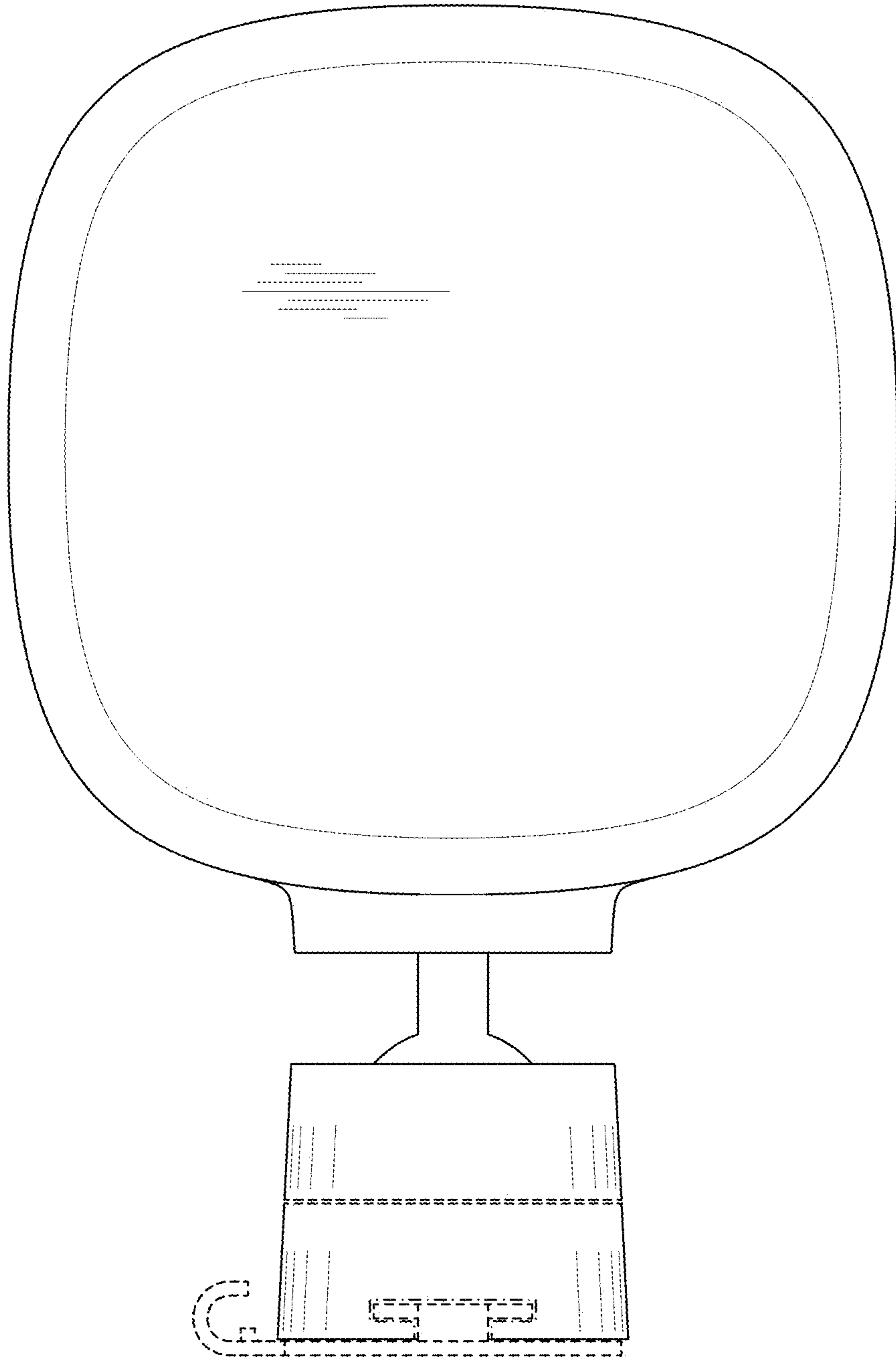


Fig. 4

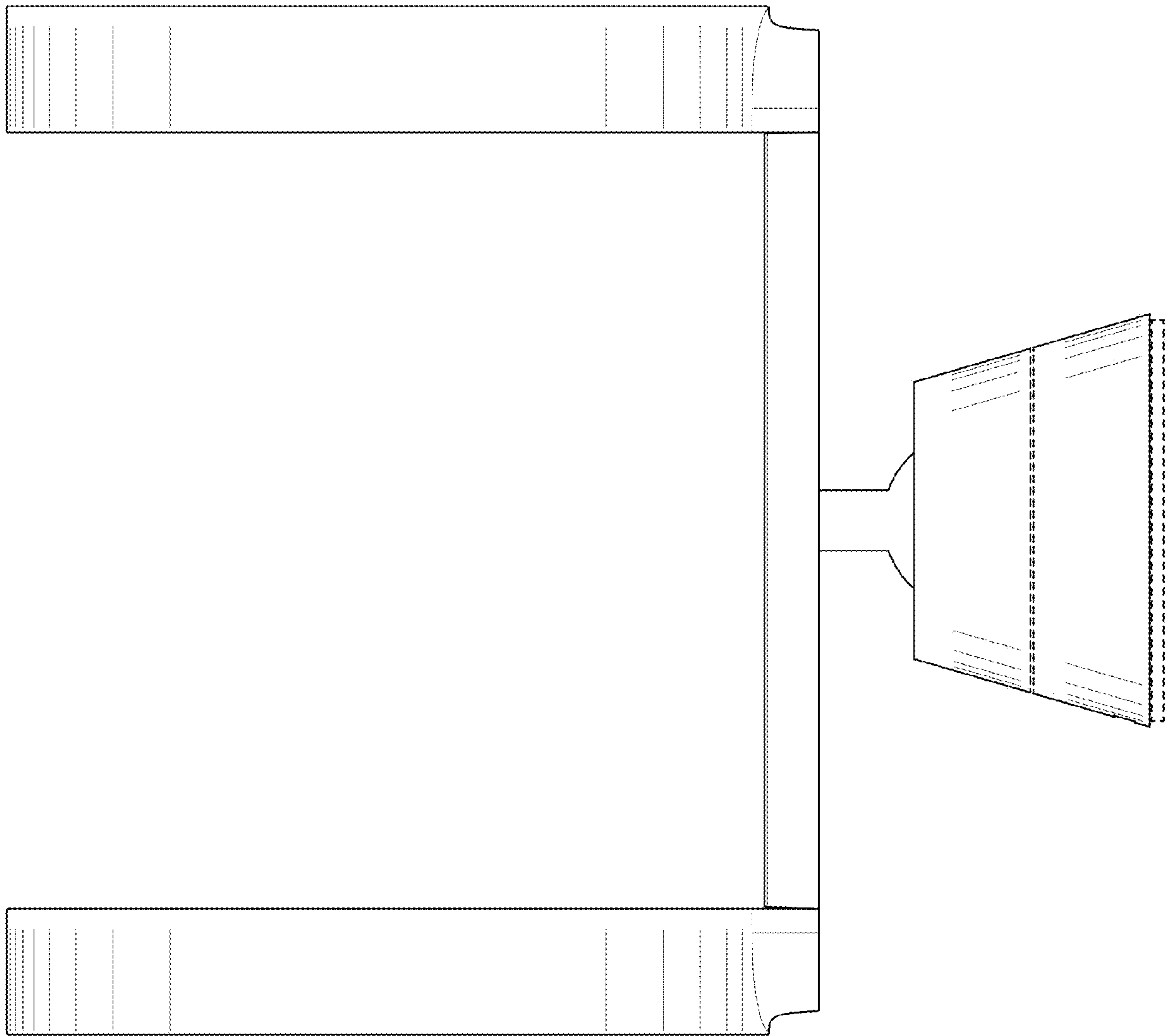


Fig. 5

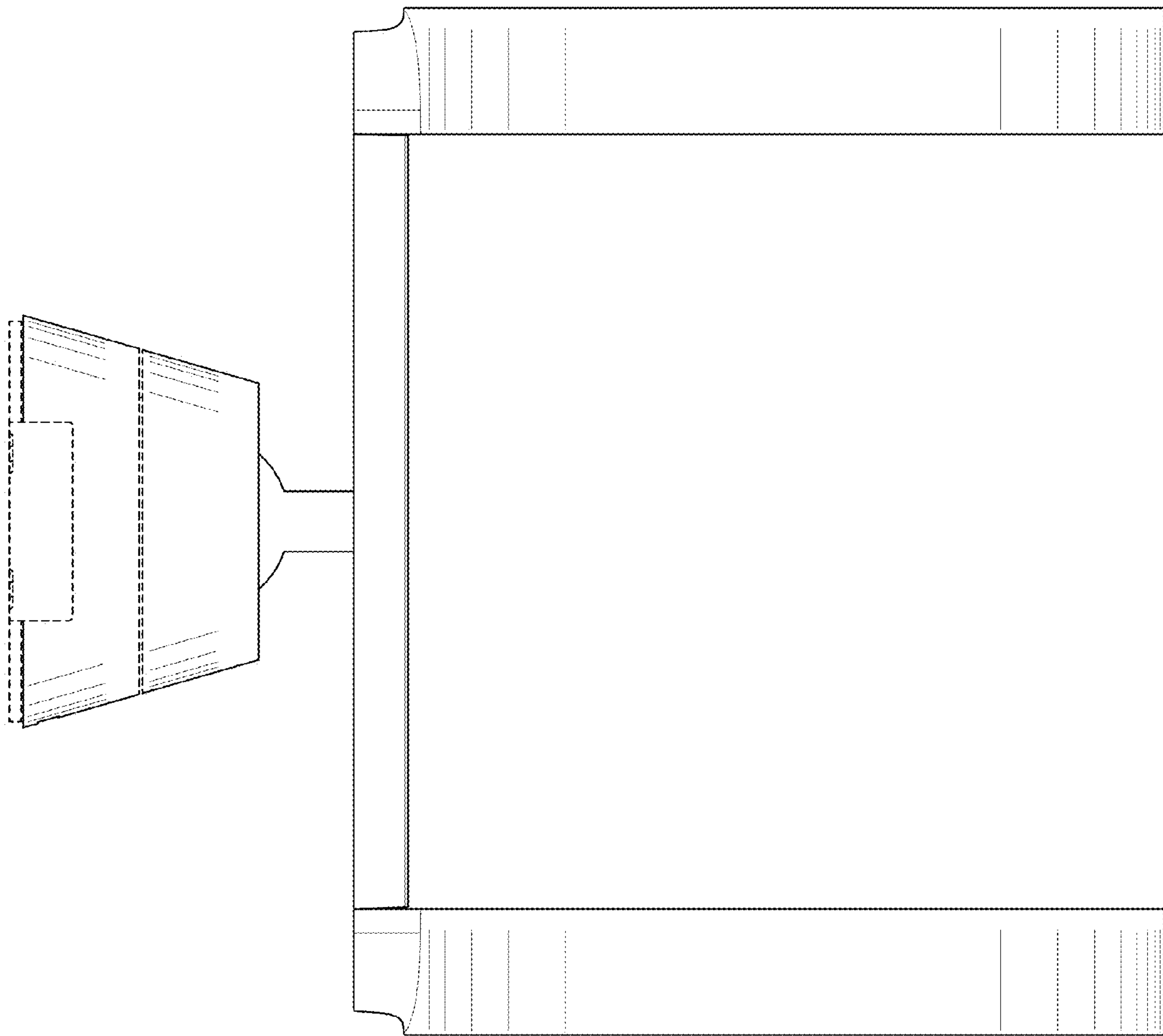


Fig. 6

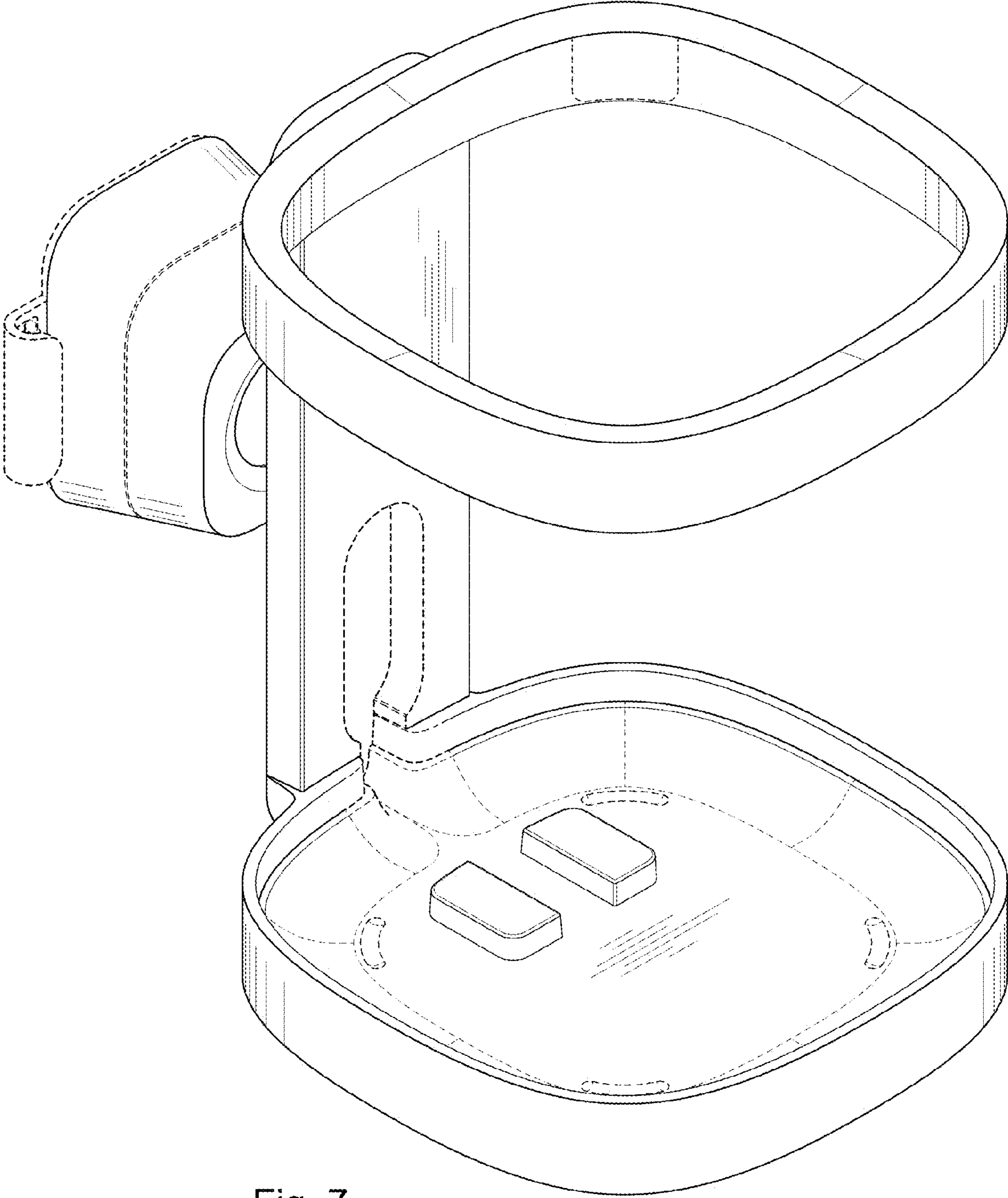


Fig. 7

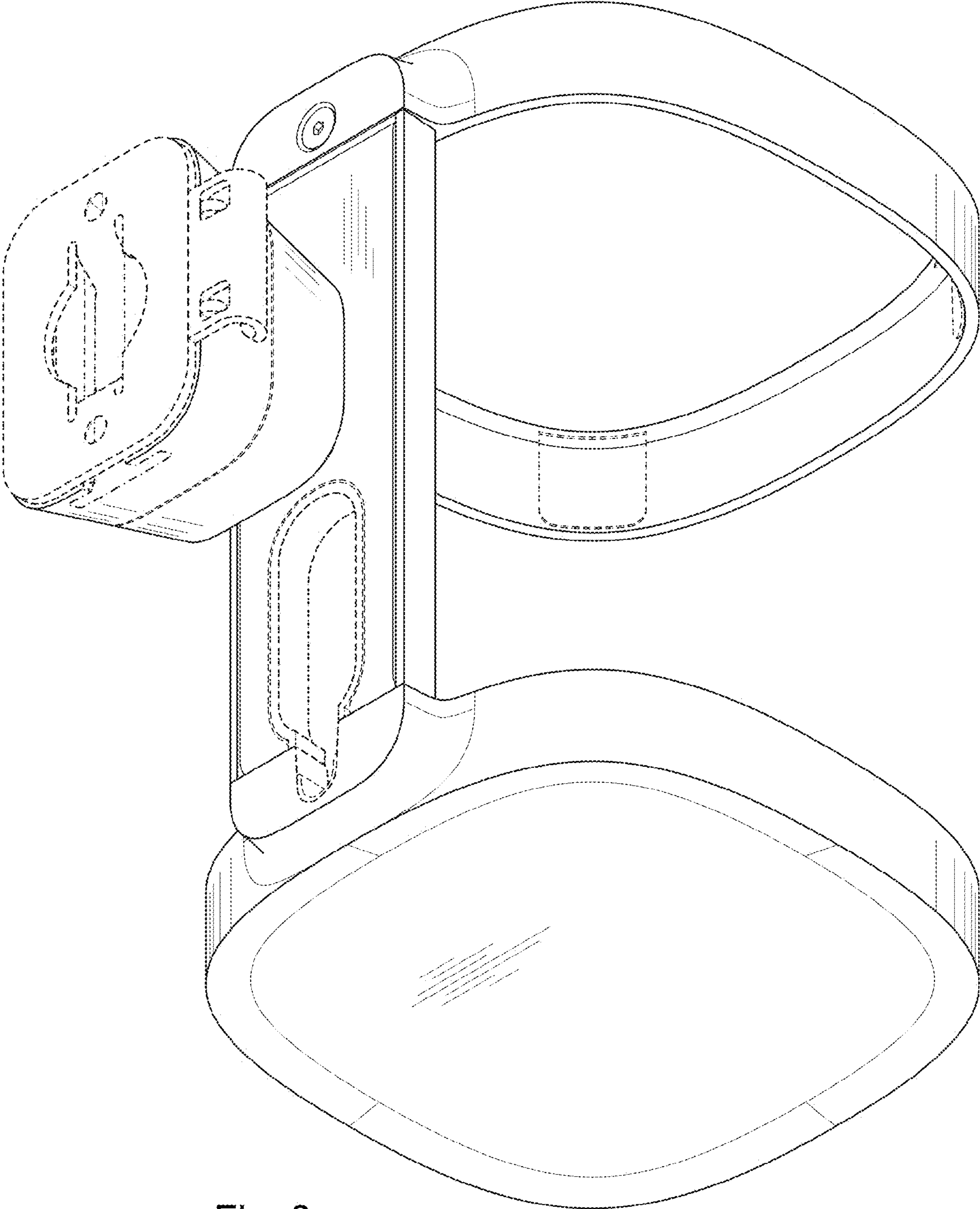


Fig. 8