

US00D952609S

(12) **United States Design Patent**  
**Akana et al.**

(10) **Patent No.:** **US D952,609 S**

(45) **Date of Patent:** **\*\* May 24, 2022**

(54) **CASE WITH EARPHONES**

(71) Applicant: **Apple Inc.**, Cupertino, CA (US)

(72) Inventors: **Jody Akana**, San Francisco, CA (US); **Molly Anderson**, San Francisco, CA (US); **Bartley K. Andre**, Palo Alto, CA (US); **Shota Aoyagi**, San Francisco, CA (US); **Anthony Michael Ashcroft**, San Francisco, CA (US); **Marine C. Bataille**, San Francisco, CA (US); **Jeremy Bataillou**, San Francisco, CA (US); **Abidur Rahman Chowdhury**, San Francisco, CA (US); **Markus Diebel**, San Francisco, CA (US); **M. Evans Hankey**, San Francisco, CA (US); **Julian Hoenig**, San Francisco, CA (US); **Richard P. Howarth**, San Francisco, CA (US); **Jonathan P. Ive**, San Francisco, CA (US); **Julian Jaede**, San Francisco, CA (US); **Duncan Robert Kerr**, San Francisco, CA (US); **Peter Russell-Clarke**, San Francisco, CA (US); **Benjamin Andrew Shaffer**, San Jose, CA (US); **Sung-Ho Tan**, San Francisco, CA (US); **Clement Tissandier**, San Francisco, CA (US); **Eugene Antony Whang**, San Francisco, CA (US); **Rico Zörkendörfer**, San Francisco, CA (US)

(73) Assignee: **Apple Inc.**, Cupertino, CA (US)

(\*\*) Term: **15 Years**

(21) Appl. No.: **29/741,987**

(22) Filed: **Jul. 17, 2020**

**Related U.S. Application Data**

(63) Continuation of application No. 29/705,726, filed on Sep. 13, 2019.

(51) **LOC (13) Cl.** ..... **14-01**

(52) **U.S. Cl.**

USPC ..... **D14/223**; D3/294

(58) **Field of Classification Search**

USPC ..... D3/294; D14/223

(Continued)

(56) **References Cited**

**U.S. PATENT DOCUMENTS**

3,246,815 A 4/1966 Philip et al.  
D245,818 S 9/1977 Persson

(Continued)

**FOREIGN PATENT DOCUMENTS**

CN 301938367 S 5/2012  
CN 302414771 S 4/2013

(Continued)

**OTHER PUBLICATIONS**

Amazon, "DUBS Noise Cancelling Music Ear Plugs", First listed on amazon Nov. 26, 2014. (<https://www.amazon.com/DUBS-Noise-Cancelling-Music-Plugs/dp/B00NW1IZ5Q>).

(Continued)

*Primary Examiner* — Kathleen L Jones

*Assistant Examiner* — Kourosh Taie-Tehrani

(74) *Attorney, Agent, or Firm* — Sterne, Kessler, Goldstein & Fox P.L.L.C.

(57) **CLAIM**

The ornamental design for a case with earphones, as shown and described.

**DESCRIPTION**

FIG. 1 is a front perspective view of a case with earphones showing the claimed design;

FIG. 2 is a front view thereof;

FIG. 3 is a rear view thereof;

FIG. 4 is a left side view thereof;

FIG. 5 is a right side view thereof;

(Continued)

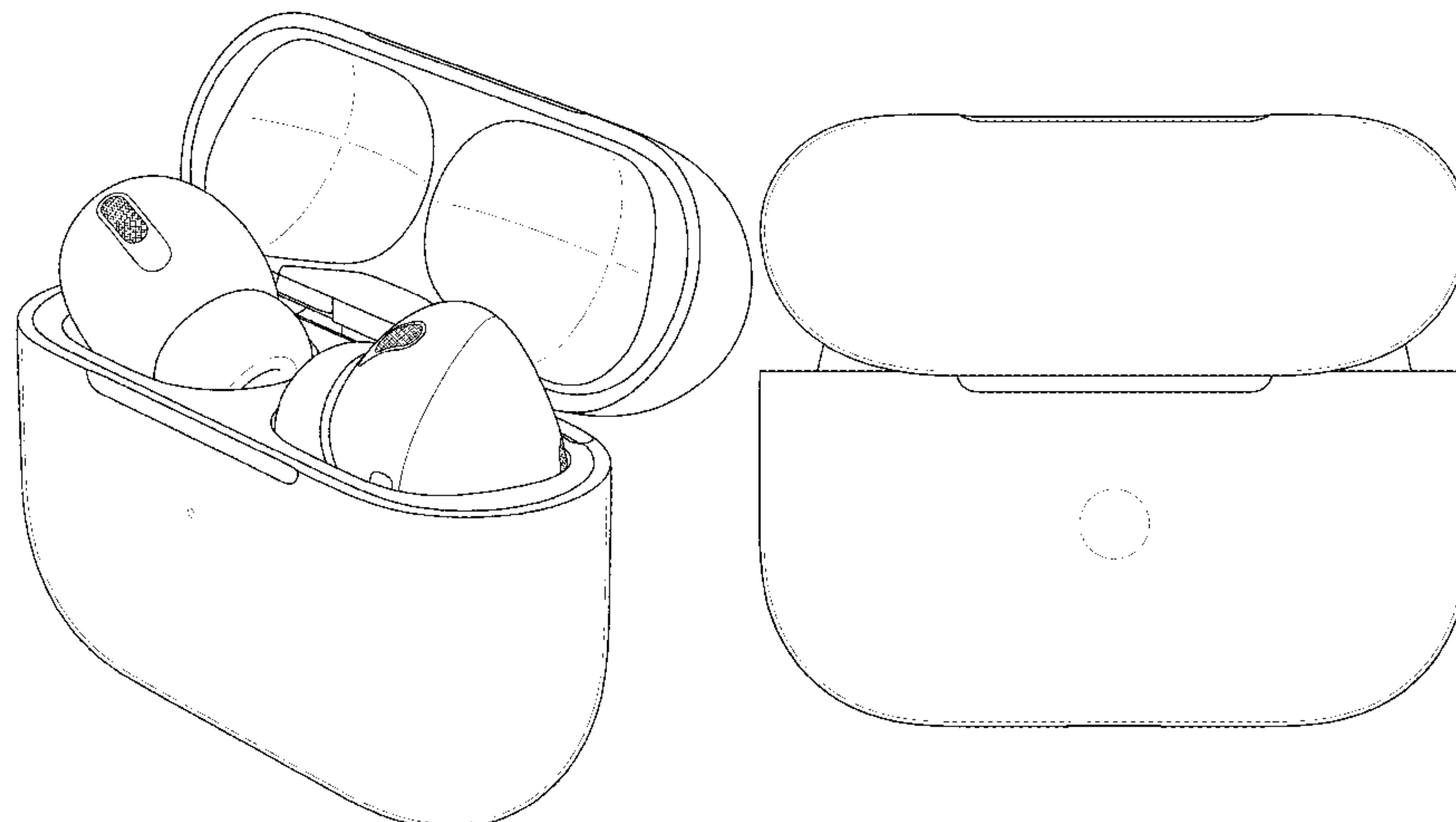


FIG. 6 is a top view thereof; and,  
FIG. 7 is a bottom view thereof.

**1 Claim, 6 Drawing Sheets**

(58) **Field of Classification Search**

CPC ..... H04R 1/10; H04R 25/00; H04R 25/02;  
H04R 1/1066; H04R 1/1016; B65D 5/00;  
B65D 43/24; B65D 43/168

See application file for complete search history.

(56) **References Cited**

U.S. PATENT DOCUMENTS

D291,947 S	9/1987	Nakata	
D306,519 S	3/1990	Nakata	
D339,215 S	9/1993	John, Jr.	
D349,644 S	8/1994	Miyairi	
D404,201 S	1/1999	Wennerstrom	
D426,950 S	6/2000	Conway	
D427,424 S	7/2000	Conway	
D467,799 S	12/2002	Persson	
D505,068 S	5/2005	Cunningham et al.	
D506,744 S	6/2005	Andre et al.	
D540,313 S	4/2007	Rausch et al.	
D652,823 S	1/2012	Chen	
D681,015 S	4/2013	Akana et al.	
D687,224 S	8/2013	Lacroix	
D691,594 S	10/2013	Akana et al.	
D706,643 S	6/2014	Akana et al.	
D708,784 S	7/2014	Kim	
D735,991 S	8/2015	Brennan et al.	
D738,110 S	9/2015	Jiang et al.	
D740,653 S	10/2015	Akana et al.	
D775,463 S	1/2017	Shi	
D801,314 S	10/2017	Akana et al.	
D804,806 S	12/2017	Stueckemann et al.	
D806,388 S	1/2018	Akana et al.	
D849,401 S *	5/2019	Akana .....	D3/274
D873,217 S	1/2020	Zhang	
D878,045 S *	3/2020	Akana .....	D3/274

D883,260 S	5/2020	Hu	
D887,351 S	6/2020	Bonahoom et al.	
D887,396 S	6/2020	Wang et al.	
D890,138 S	7/2020	Peng	
D895,582 S *	9/2020	Wu .....	D14/223
D897,997 S *	10/2020	Zhang .....	D14/223
D906,299 S *	12/2020	Luo .....	D14/223
D907,009 S *	1/2021	Akana .....	D14/223
D911,027 S *	2/2021	Liang .....	D3/274
D923,609 S *	6/2021	Li .....	D14/223
D927,465 S *	8/2021	Wang .....	D14/223
D929,969 S *	9/2021	Ding .....	D14/223
D931,258 S *	9/2021	Ding .....	D14/223
D931,838 S *	9/2021	Deng .....	D14/223
D932,468 S *	10/2021	Xin .....	D14/223
D933,595 S *	10/2021	Geng .....	D13/108
D933,636 S *	10/2021	Akana .....	D14/223
D934,563 S *	11/2021	Xiang .....	D3/294
D935,772 S *	11/2021	Chen .....	D3/294
D936,358 S *	11/2021	Lu .....	D3/273
2017/0245038 A1	8/2017	Chawan et al.	
2020/0107098 A1 *	4/2020	DiFonzo .....	H01F 41/0246
2021/0160607 A1 *	5/2021	Liu .....	H04B 1/3888
2021/0352397 A1 *	11/2021	Guo .....	H04R 1/1025
2021/0354886 A1 *	11/2021	Ho .....	B65D 43/24
2021/0391739 A1 *	12/2021	Venkatraman .....	H04R 1/1025

FOREIGN PATENT DOCUMENTS

CN	302672007 S	12/2013
CN	303180712 S	4/2015
CN	303634602 S	4/2016
CN	303640496 S	4/2016
CN	303701471 S	6/2016
CN	305299425 S	8/2019

OTHER PUBLICATIONS

Japanese Patent Office Document HJ 21000610, dated Jul. 26, 2017.  
Japanese Patent Office Document HJ 27054573, dated Jul. 26, 2017.  
Wirecutter, "The Best True Wireless Headphones So Far", Posted  
Mar. 27, 2018. (<https://thewirecutter.com/reviews/best-true-wireless-headphones/>).

\* cited by examiner

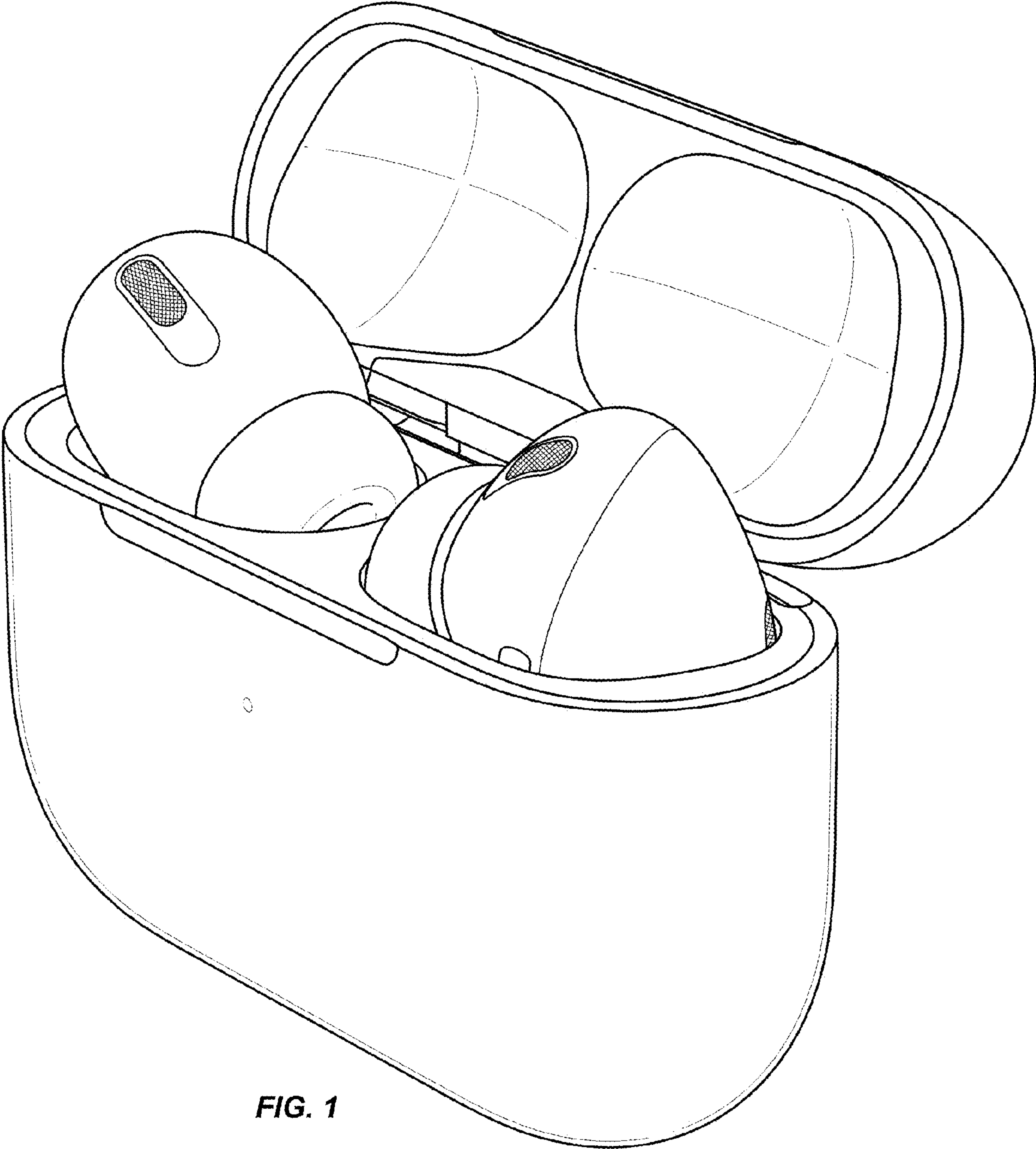


FIG. 1



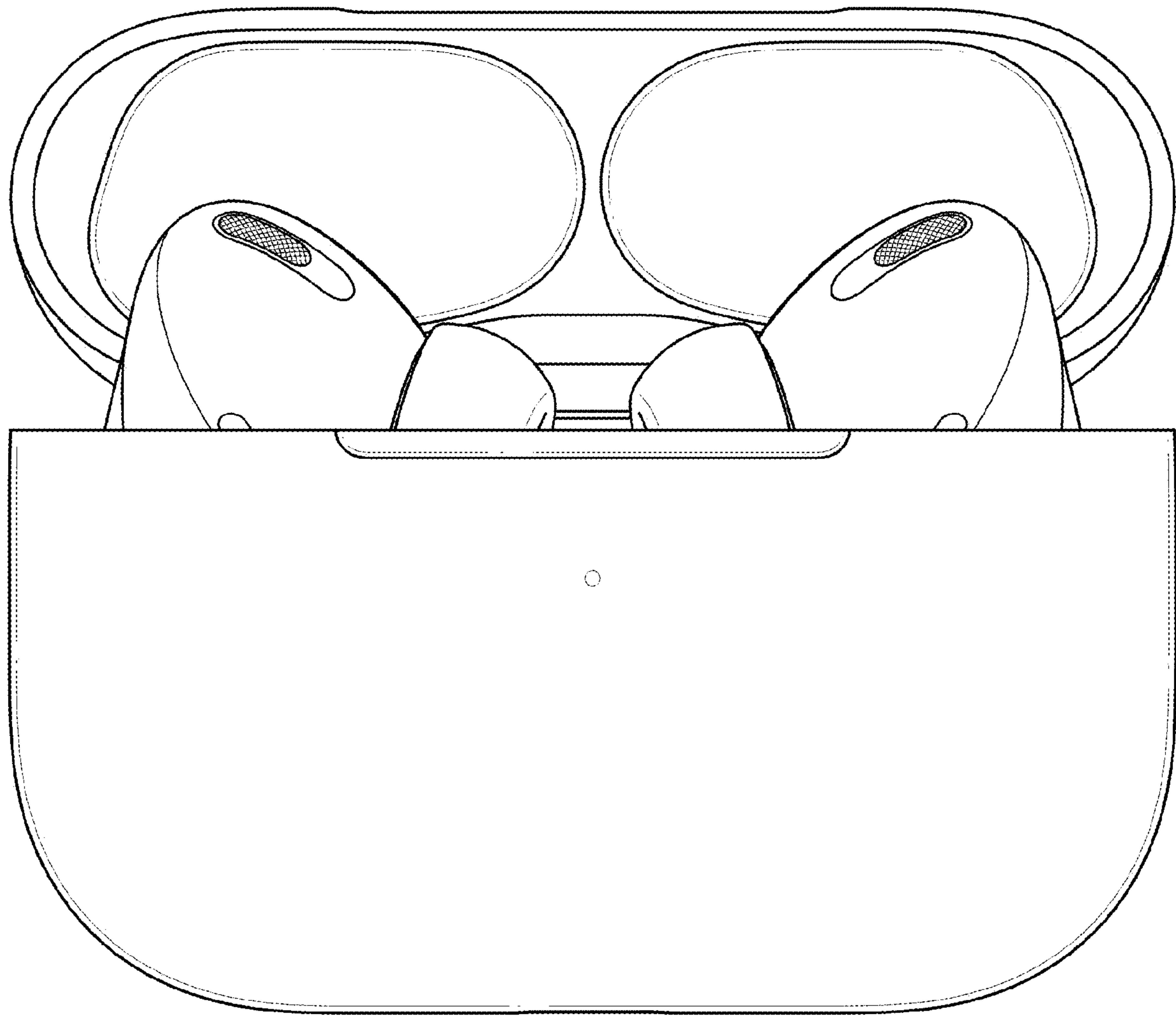
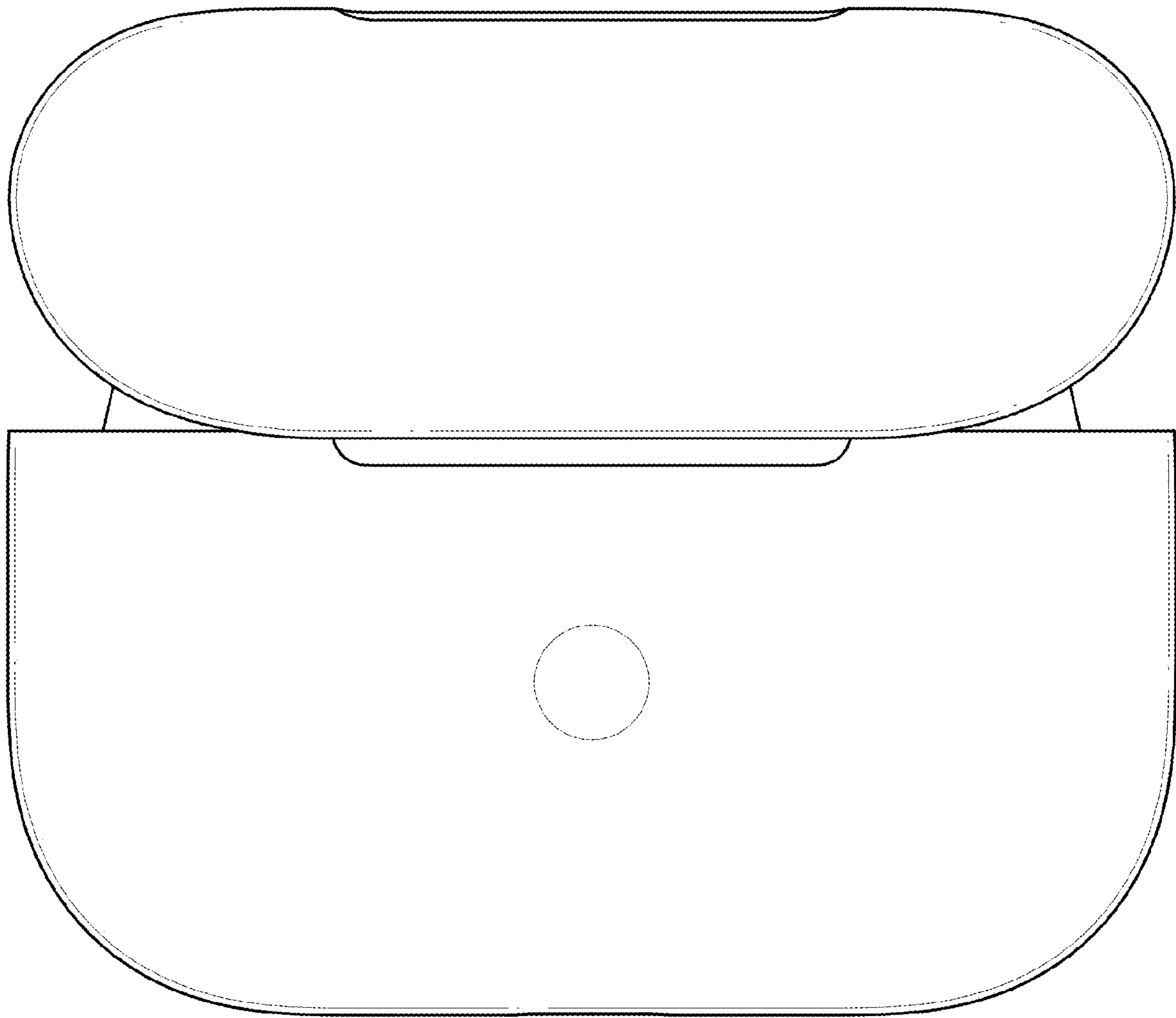
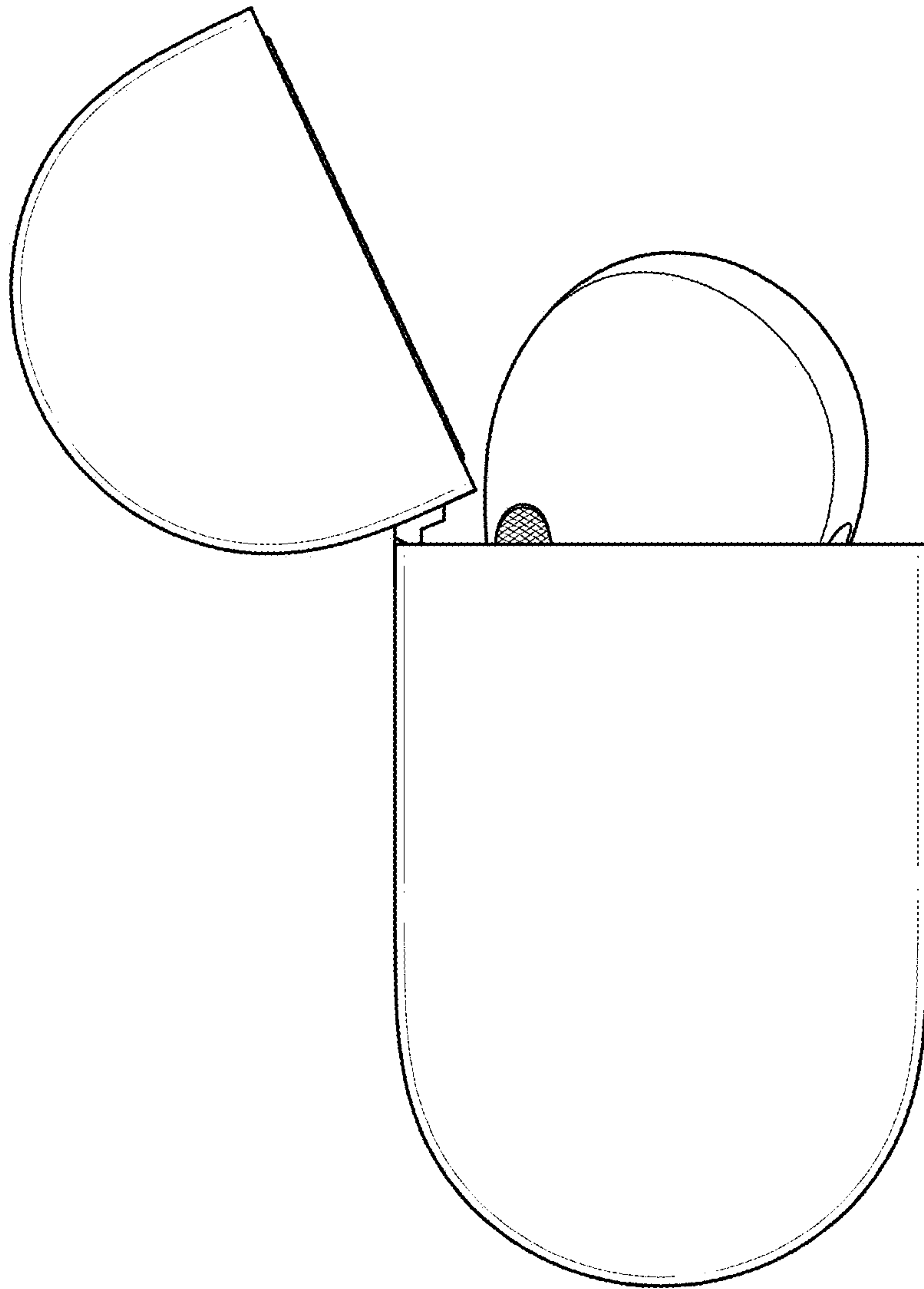


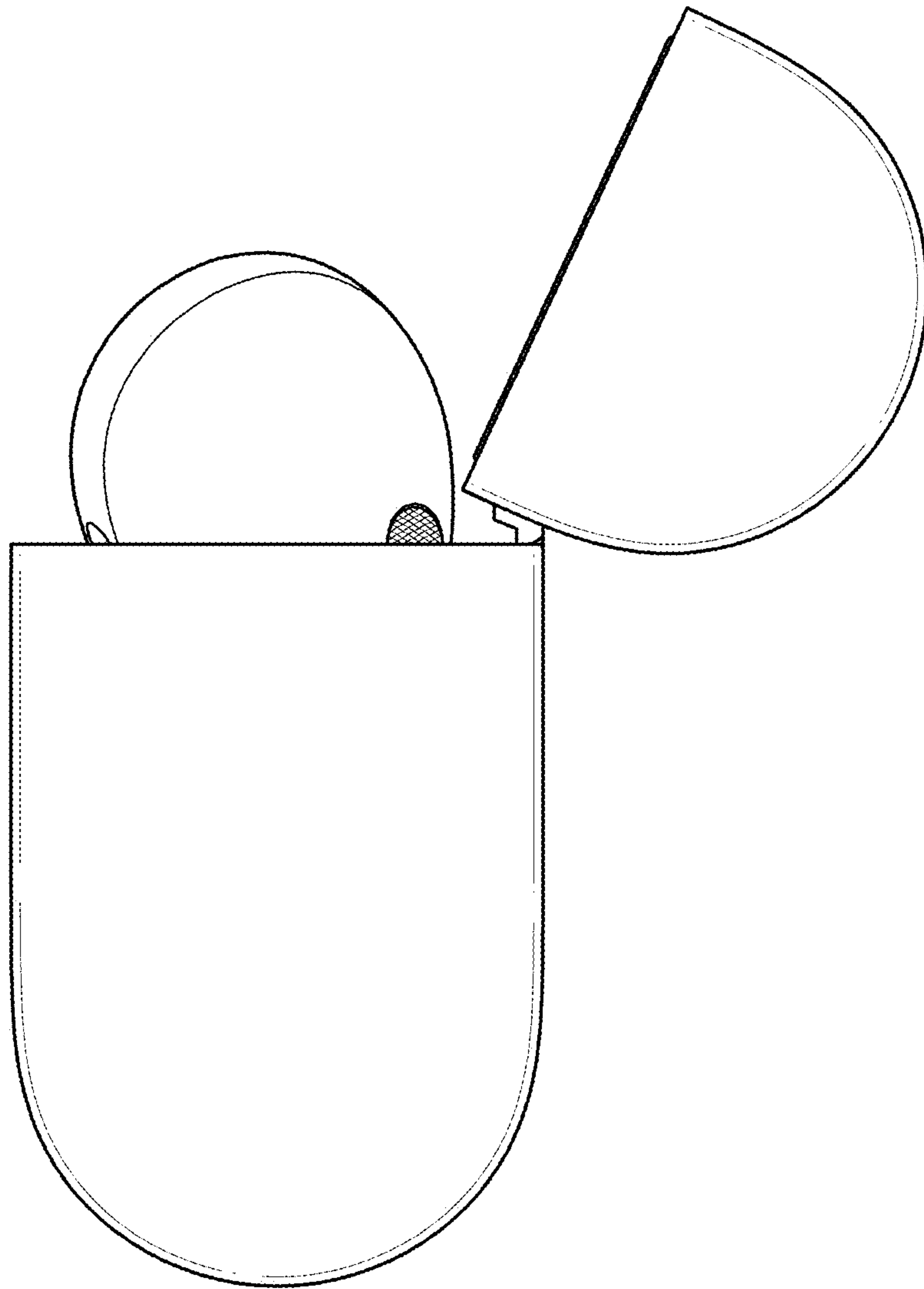
FIG. 2



**FIG. 3**



**FIG. 4**



**FIG. 5**

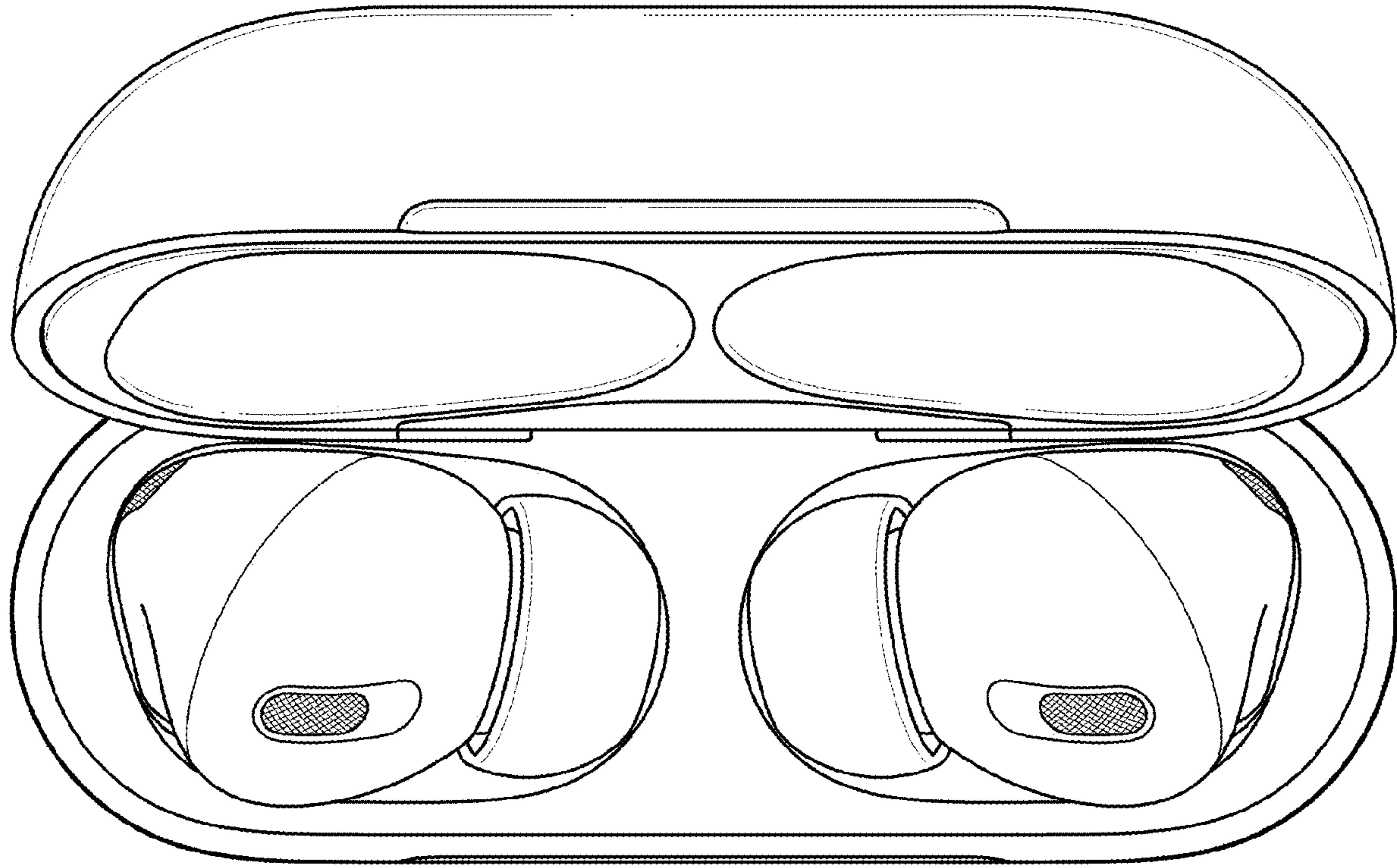


FIG. 6

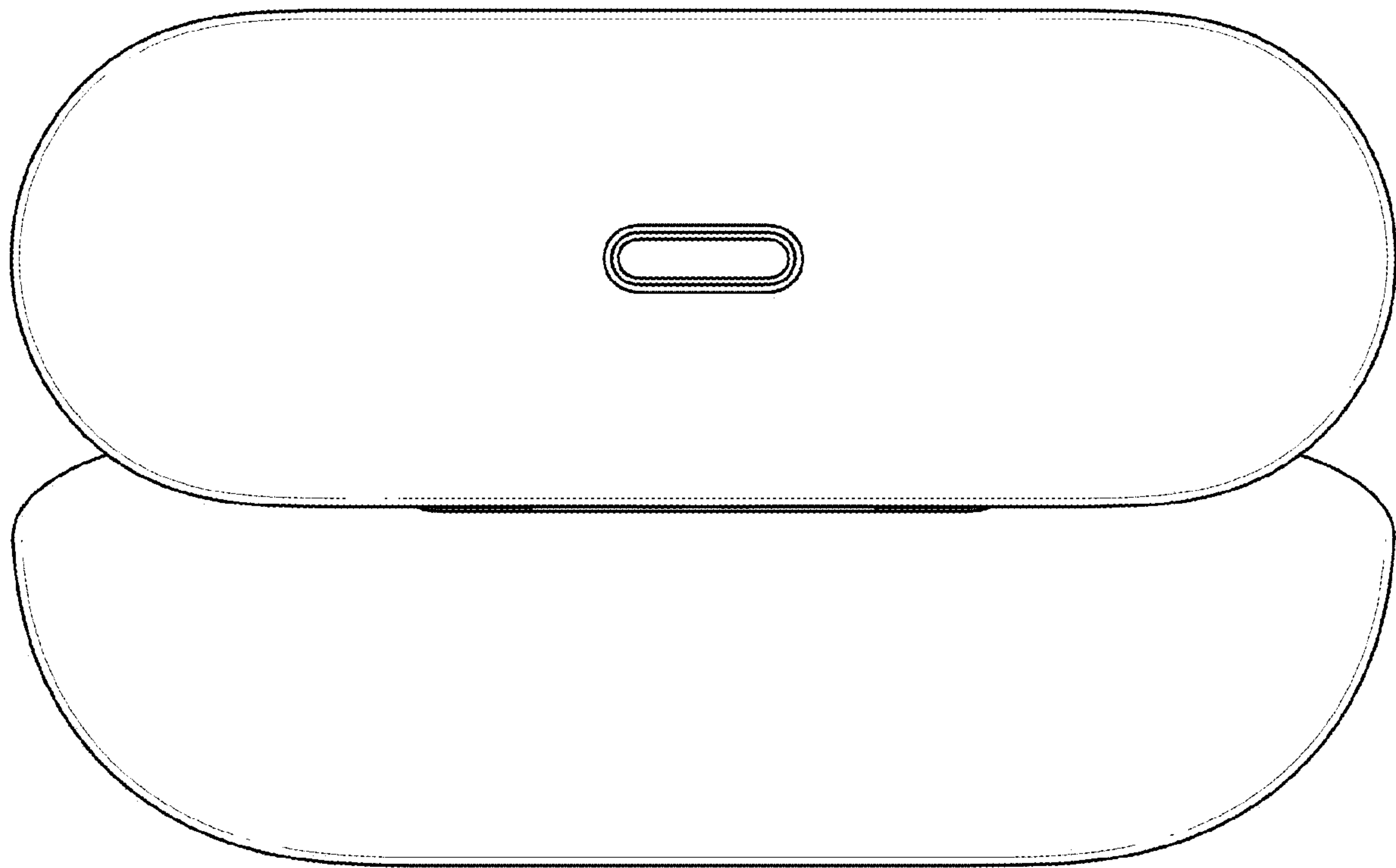


FIG. 7