



US00D952607S

(12) **United States Design Patent** (10) **Patent No.:** **US D952,607 S**
Lee et al. (45) **Date of Patent:** **** May 24, 2022**

(54) **REMOTE CONTROL**

(71) Applicant: **Universal Remote Control, Inc.**,
Harrison, NY (US)

(72) Inventors: **Yi Chun Lee**, Seoul (KR); **Joseph Spinelli**, Croton, NY (US); **Jak Hee You**, White Plains, NY (US)

(73) Assignee: **Universal Remote Control, Inc.**,
Harrison, NY (US)

(**) Term: **15 Years**

(21) Appl. No.: **29/729,754**

(22) Filed: **Mar. 30, 2020**

(51) **LOC (13) Cl.** **14-03**

(52) **U.S. Cl.**
USPC **D14/218**

(58) **Field of Classification Search**
USPC D14/218; D13/168
CPC H04N 7/00
See application file for complete search history.

(56) **References Cited**

U.S. PATENT DOCUMENTS

D366,042 S *	1/1996	Laituri	D14/218
D531,964 S *	11/2006	Peh	D13/168
D546,320 S *	7/2007	Choi	D14/218
D567,804 S *	4/2008	Yan	D14/218
D597,082 S *	7/2009	Bang	D14/218
D611,456 S *	3/2010	Lin	D14/218
D618,216 S *	6/2010	Constin	D14/218
D618,628 S *	6/2010	Giugiaro	D13/168
D699,223 S *	2/2014	Maier	D14/218
8,646,019 B2 *	2/2014	O'Donnell	H04N 21/2543 725/133
D714,740 S *	10/2014	Corsini	D13/168
D720,725 S *	1/2015	Peh	D14/218
D726,692 S *	4/2015	Peh	D14/218
D743,944 S *	11/2015	Karrman	D14/218

D752,555 S *	3/2016	Langhammer	D14/218
D801,311 S *	10/2017	Akana	D14/218
D901,451 S *	11/2020	Biddle	D14/218
D901,452 S *	11/2020	Maier	D14/218
2006/0007306 A1 *	1/2006	Masters	H04B 1/202 348/114
2009/0115723 A1 *	5/2009	Henty	H04N 21/42225 345/158

FOREIGN PATENT DOCUMENTS

WO WO D207717-010 * 5/2020

OTHER PUBLICATIONS

Best Universal Remotes 2021, Techhive website, site visited Sep. 22, 2021, <https://www.techhive.com/article/3314747/best-universal-remote-control.html>.*

* cited by examiner

Primary Examiner — John R Yeh

(74) *Attorney, Agent, or Firm* — Amster, Rothstein & Ebenstein LLP

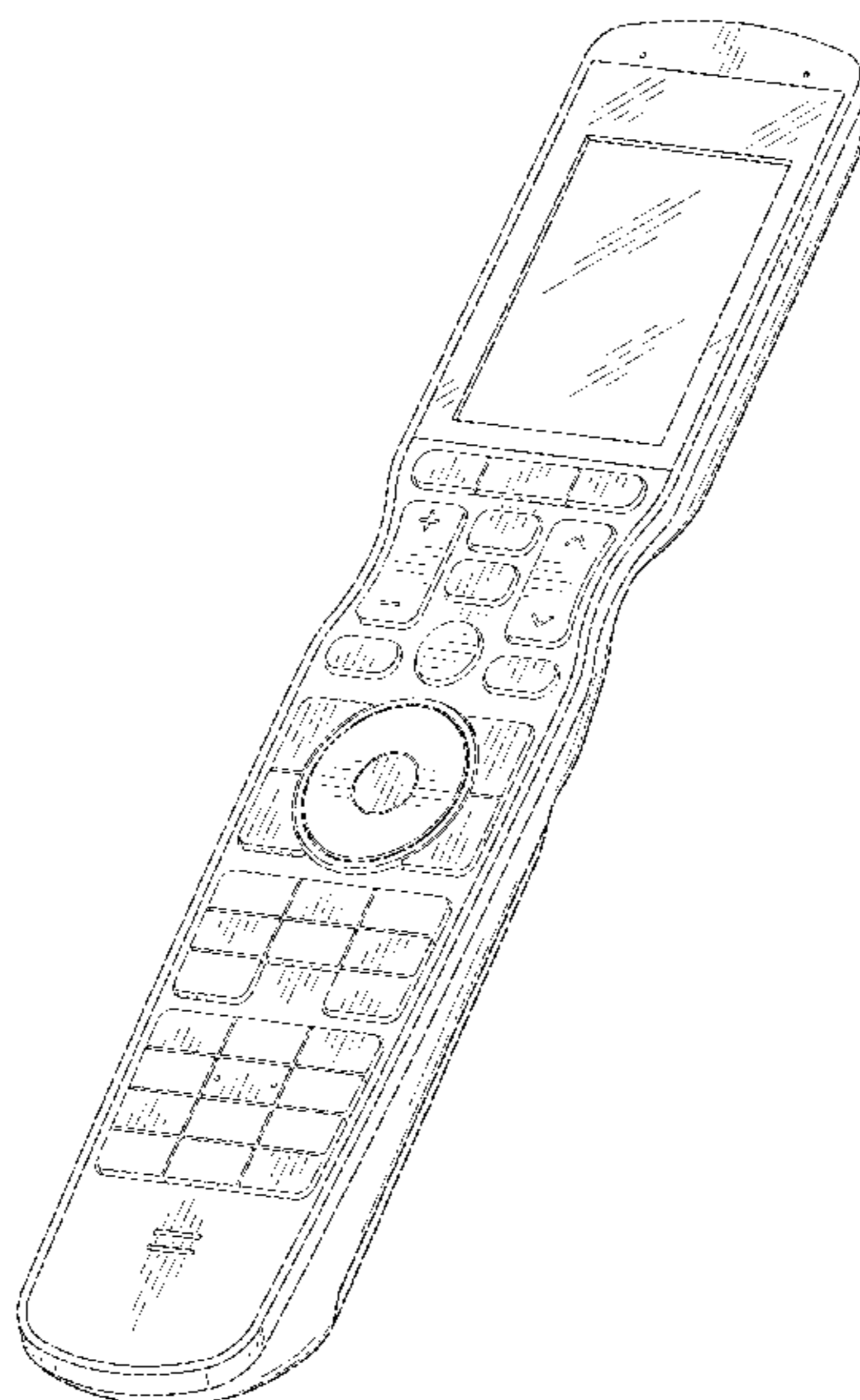
(57) **CLAIM**

The ornamental design for a remote control, as shown and described.

DESCRIPTION

FIG. 1 is a perspective view of a remote control showing our new design;
FIG. 2 is a front elevation view thereof;
FIG. 3 is a rear elevation view thereof;
FIG. 4 is a side elevation view thereof;
FIG. 5 is an opposite side elevation view thereof;
FIG. 6 is a top plan view thereof; and,
FIG. 7 is a bottom plan view thereof.
The broken lines depict portions of the remote control that form no part of the claimed design.

1 Claim, 5 Drawing Sheets



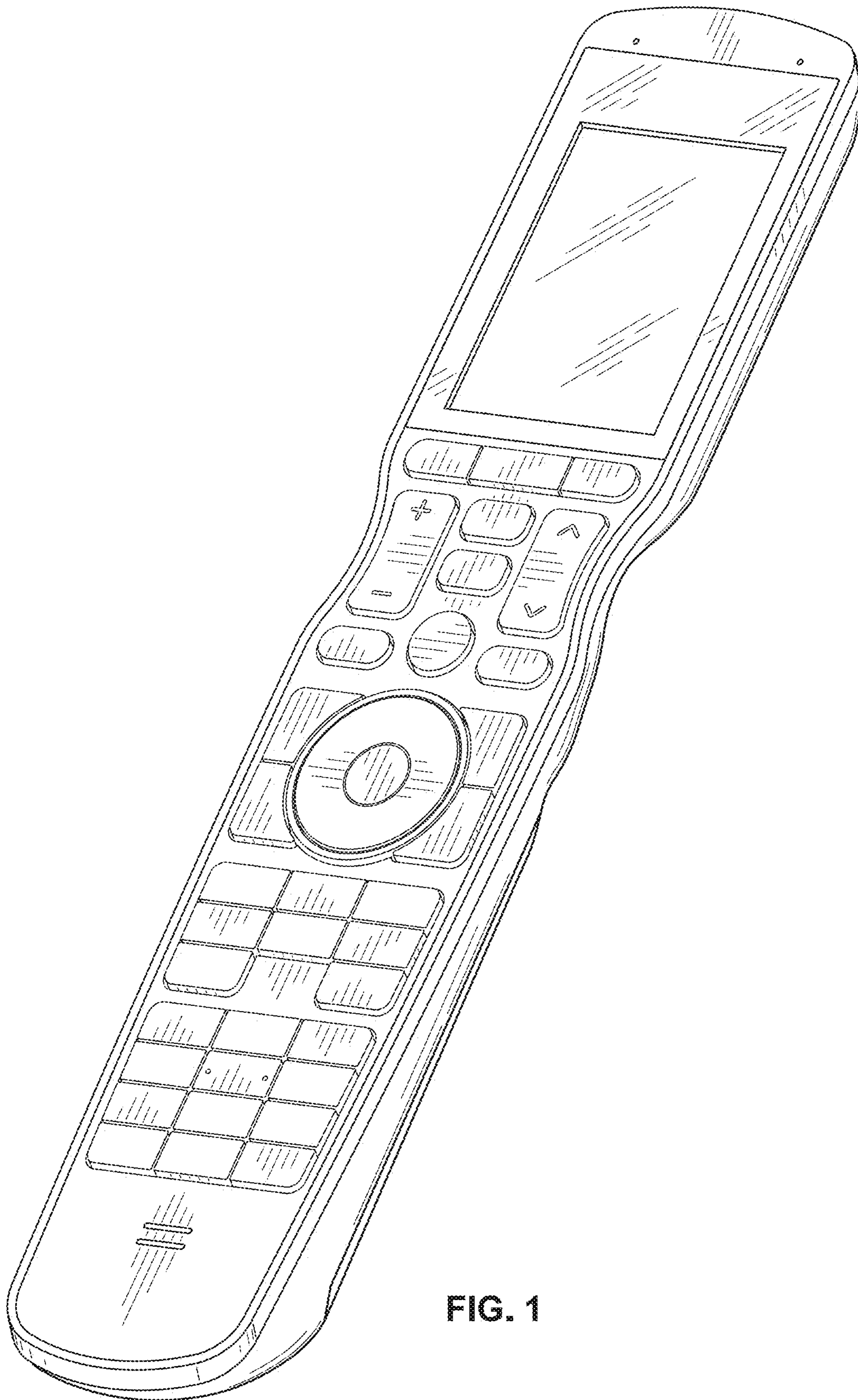


FIG. 1

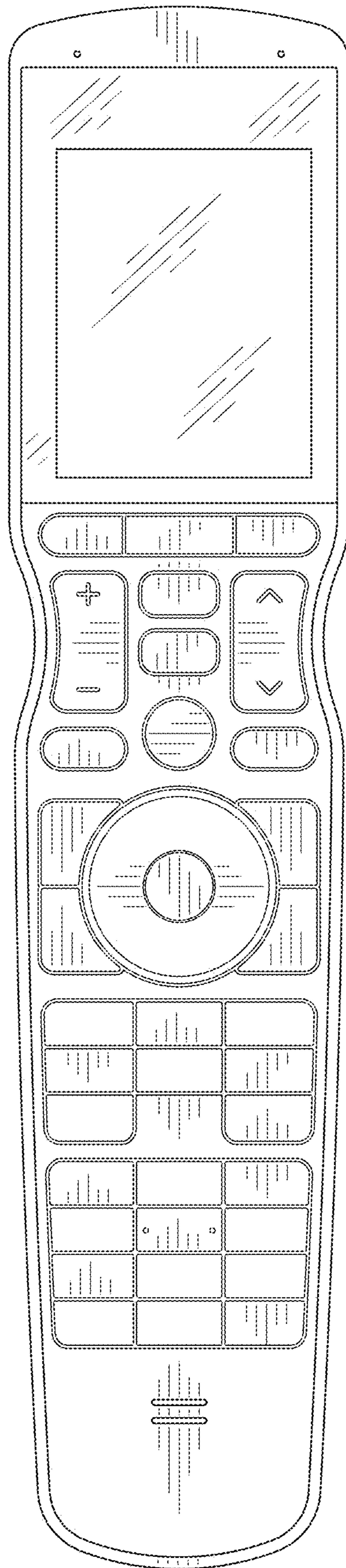


FIG. 2

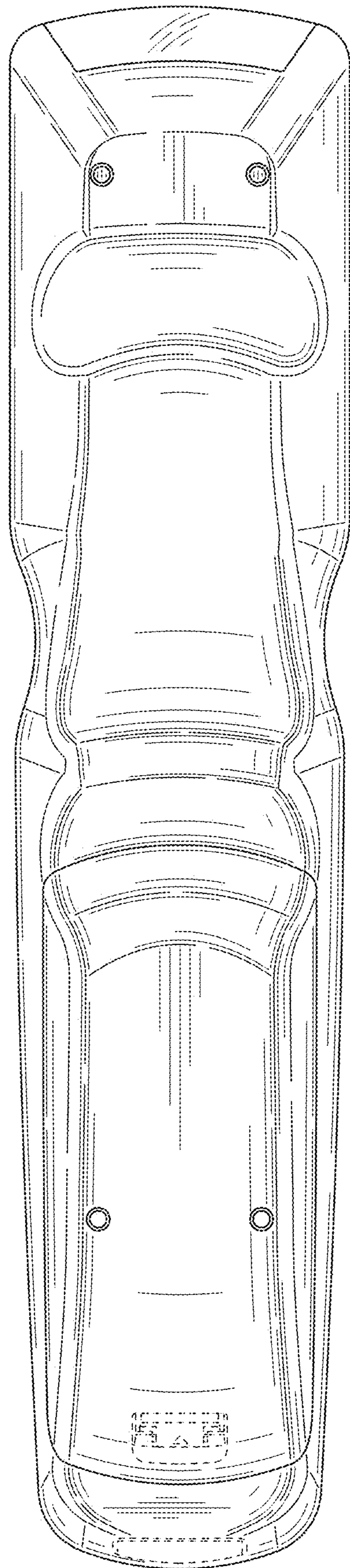


FIG. 3

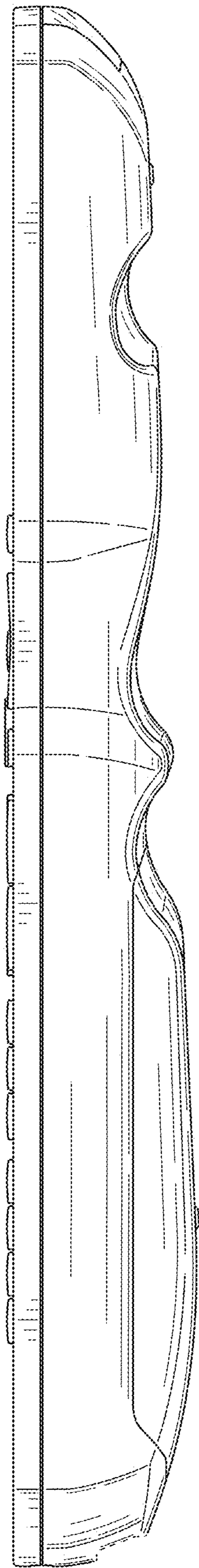


FIG. 4

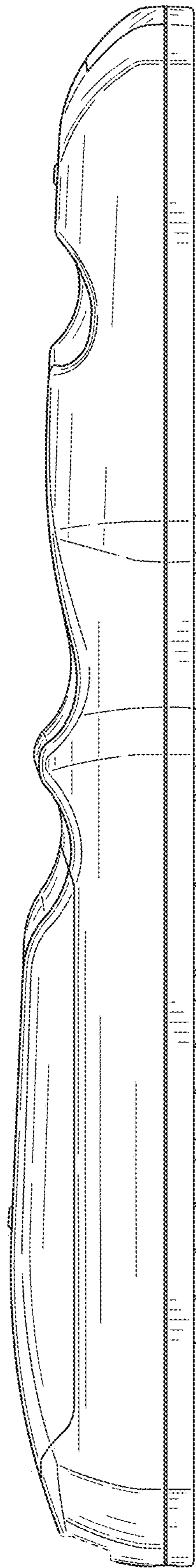


FIG. 5

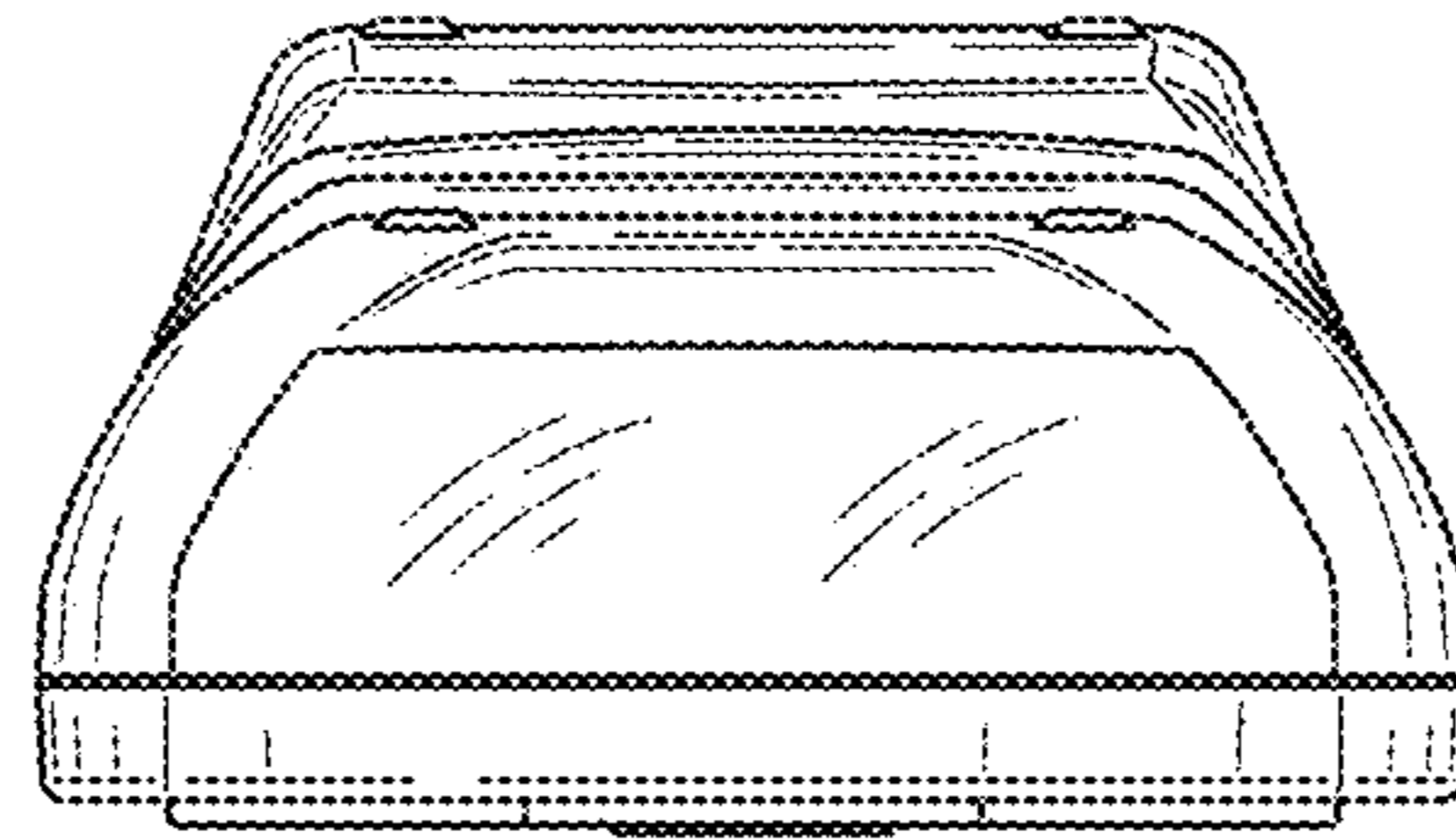


FIG. 6

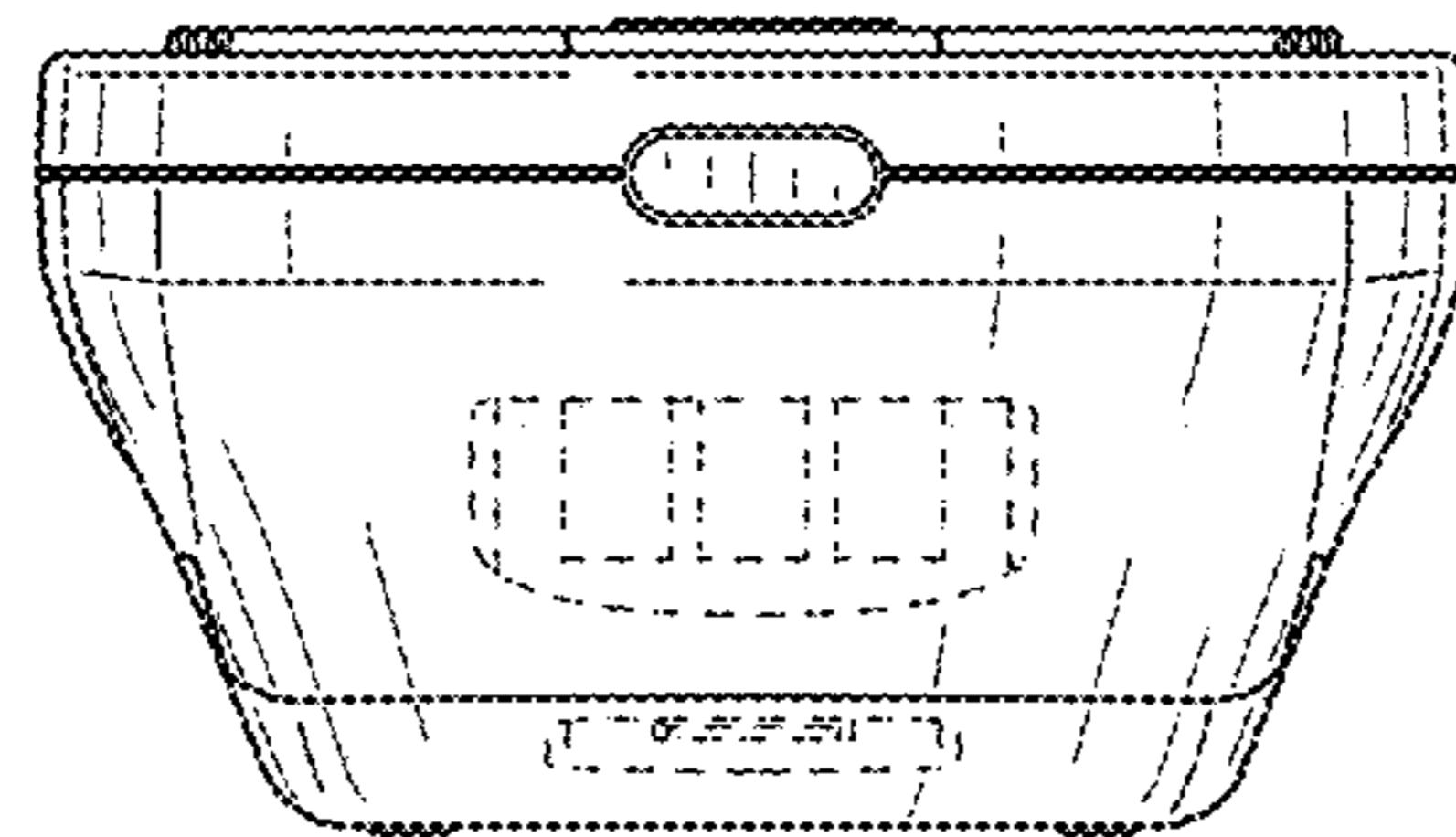


FIG. 7