



US00D952605S

(12) **United States Design Patent**  
**Lin**

(10) **Patent No.:** **US D952,605 S**

(45) **Date of Patent:** **\*\* May 24, 2022**

(54) **SOUND MACHINE**

(71) Applicant: **XiaoYi Technology(Shenzhen) Co., LTD.**, ShenZhen (CN)

(72) Inventor: **Canye Lin**, Guangdong (CN)

(\*\*) Term: **15 Years**

(21) Appl. No.: **29/787,083**

(22) Filed: **Jun. 4, 2021**

(51) **LOC (13) Cl.** ..... **14-01**

(52) **U.S. Cl.**  
USPC ..... **D14/216**

(58) **Field of Classification Search**  
USPC ..... D14/167, 168, 170–172, 188, 194–196,  
D14/204, 209.1, 210–216, 219, 221, 222,  
D14/224, 239, 496  
CPC ..... B60R 11/0217; G06F 1/1688; G10K 9/22;  
G10K 11/004; H03F 1/327; H04M 1/03;  
H04M 1/035; H04N 5/642; H04N  
21/4852; H04R 1/02; H04R 1/06; H04R  
1/021; H04R 1/025; H04R 1/026; H04R  
1/028; H04R 1/105; H04R 1/323; H04R  
1/403; H04R 1/2803; H04R 1/2834;  
H04R 5/02; H04R 7/20; H04R 9/06;  
H04R 9/025; H04R 2201/021; H04R  
2400/00; H04R 2400/07; H04R 2499/11;  
H04R 2499/13; H04R 2499/15; H04S  
3/00; H04S 7/30  
See application file for complete search history.

(56) **References Cited**

**U.S. PATENT DOCUMENTS**

D691,587 S \* 10/2013 Ferber ..... D14/216  
D836,609 S \* 12/2018 Yoon ..... D14/216  
D836,610 S \* 12/2018 Yoon ..... D14/216

D843,974 S \* 3/2019 Yoon ..... D14/216  
D847,373 S \* 4/2019 Hurwit ..... D24/231  
D848,398 S \* 5/2019 Huang ..... D14/216  
D857,648 S \* 8/2019 Okuley ..... D14/204  
D875,079 S \* 2/2020 Luo ..... D14/216  
D880,454 S \* 4/2020 Valeur ..... D14/214  
D886,774 S \* 6/2020 Chang ..... D14/204  
D889,434 S \* 7/2020 Xie  
D890,120 S \* 7/2020 Peng ..... D14/204  
D934,195 S \* 10/2021 Simonelli ..... D14/204

**OTHER PUBLICATIONS**

Amazon.com; Elesories; “White Noise Machine . . . ”; [online] ‘www.amazon.com/relaxing-1-color-wireless-rechargeable-sleeping/dp/B097Y13M5L’; dated Jun. 25, 2021; Accessed Mar. 19, 2022; 4Pgs. (Year: 2021).\*

\* cited by examiner

*Primary Examiner* — Keli L Hill

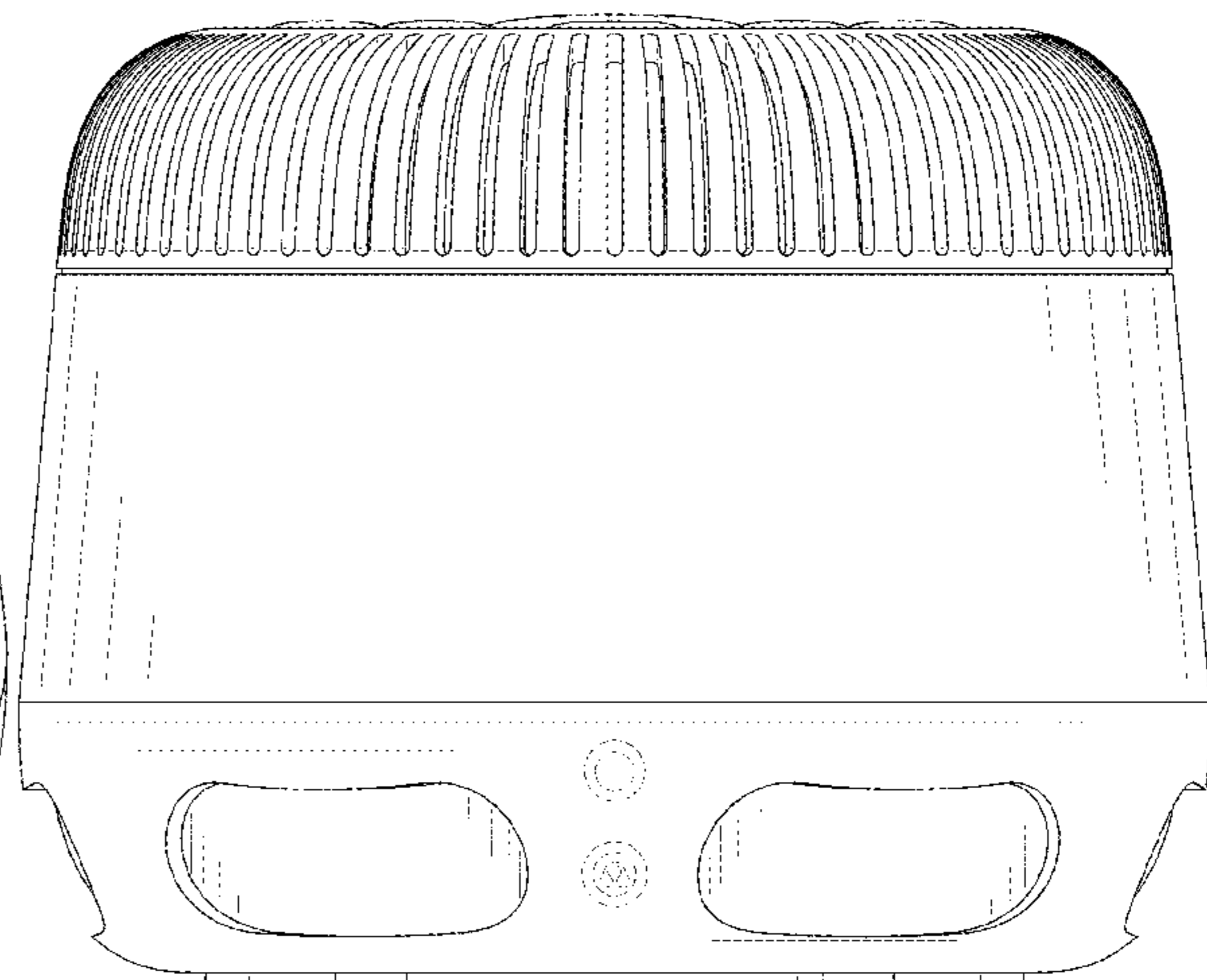
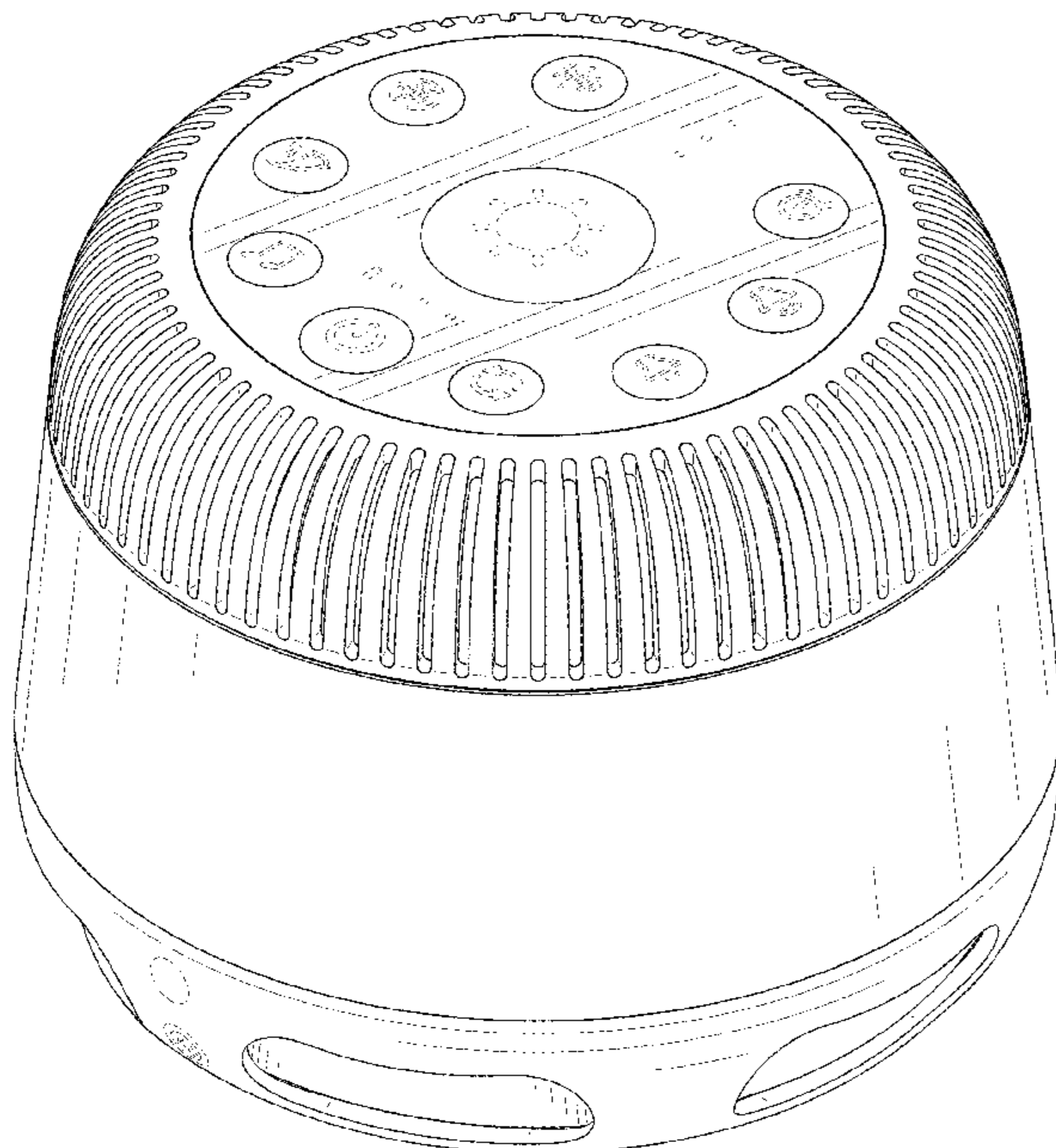
(57) **CLAIM**

The ornamental design for a sound machine, as shown and described.

**DESCRIPTION**

FIG. 1 is a front and top perspective view of a sound machine, showing my new design;  
FIG. 2 is a rear and bottom perspective view thereof;  
FIG. 3 is a front elevation view thereof;  
FIG. 4 is a rear elevation view thereof;  
FIG. 5 is a left side elevation view thereof;  
FIG. 6 is a right side elevation view thereof;  
FIG. 7 is a top plan view thereof; and,  
FIG. 8 is a bottom plan view thereof.  
The broken lines in the figures illustrate portions of the sound machine that form no part of the claimed design.

**1 Claim, 8 Drawing Sheets**



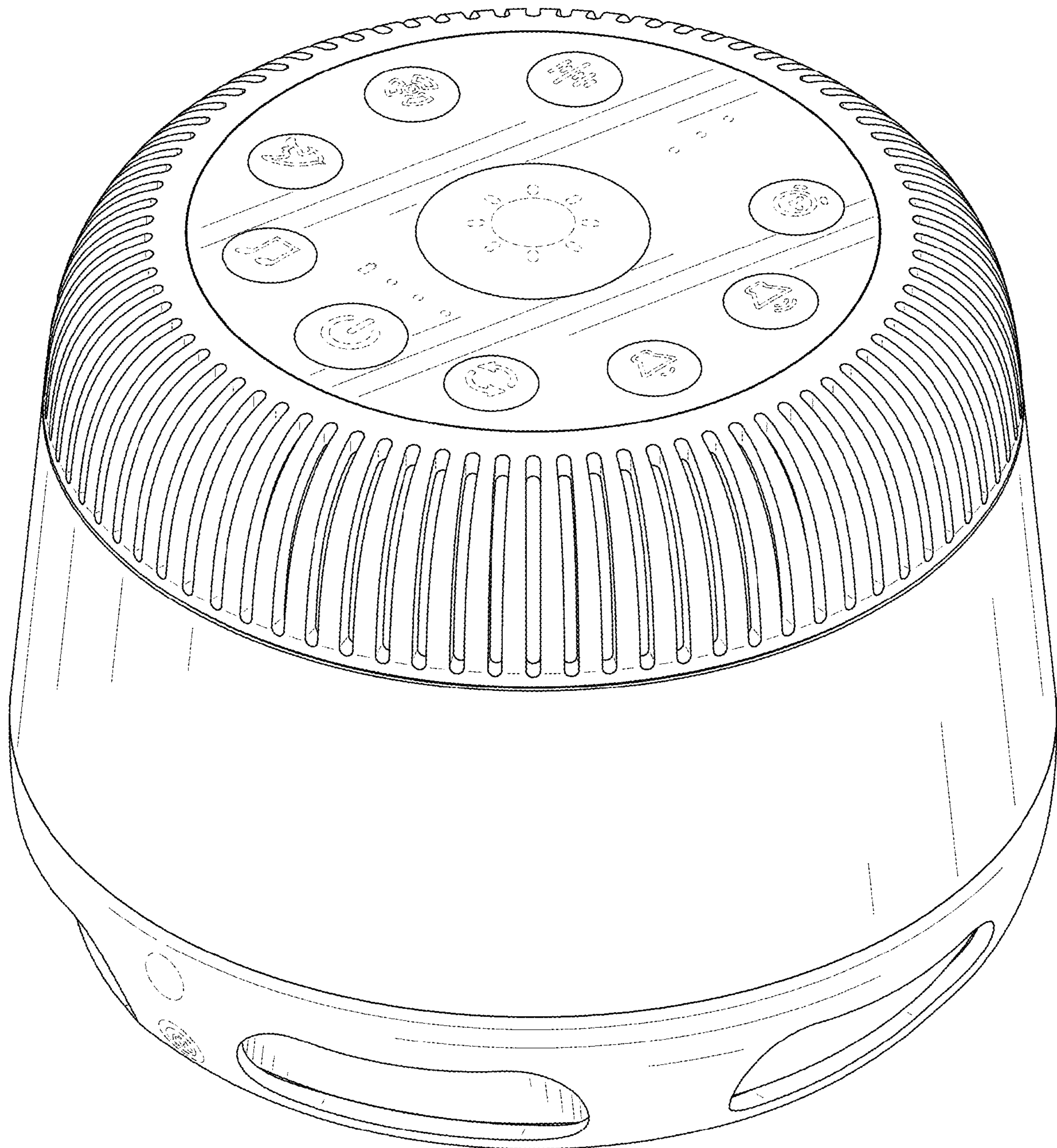


FIG. 1

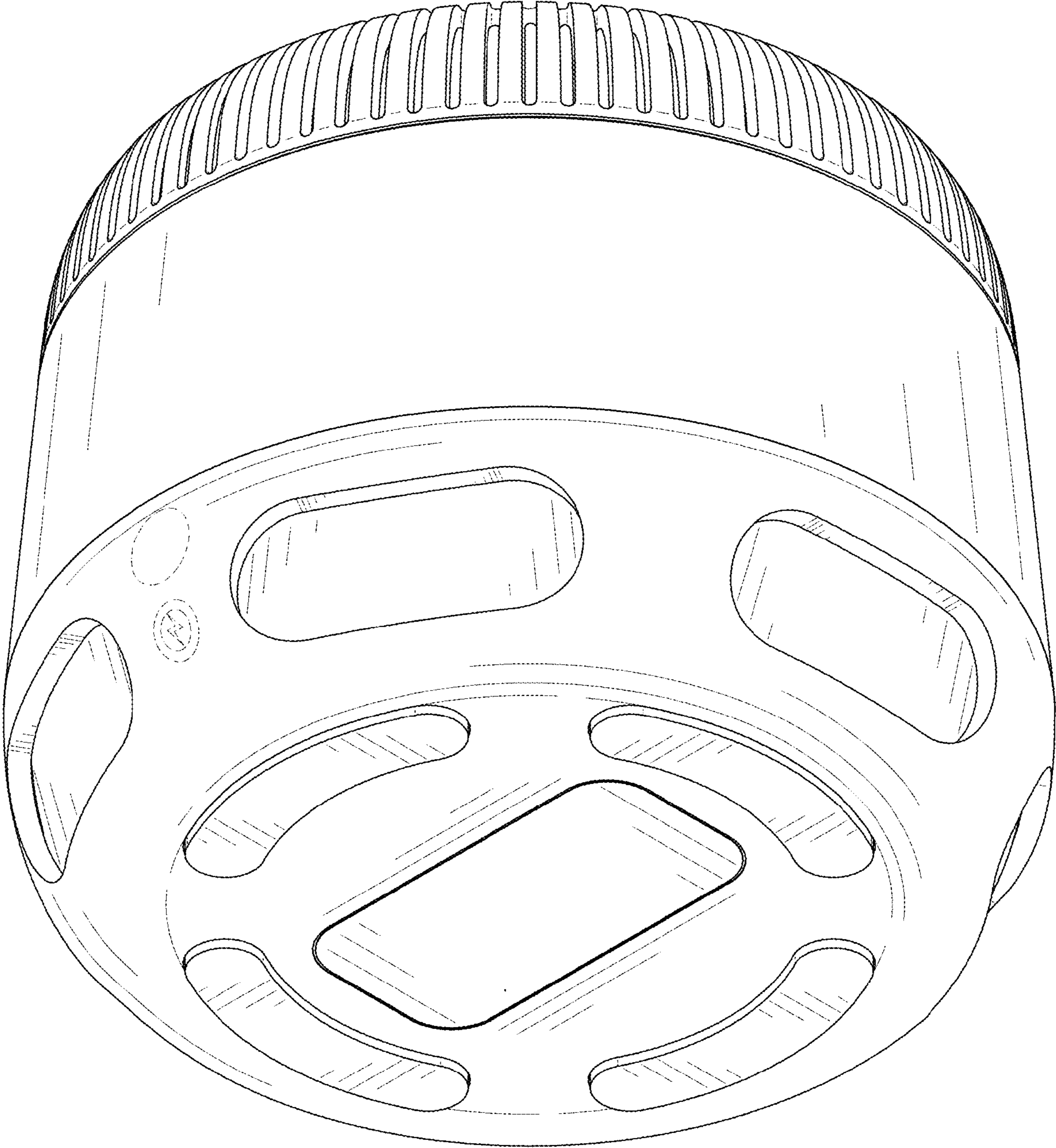


FIG. 2

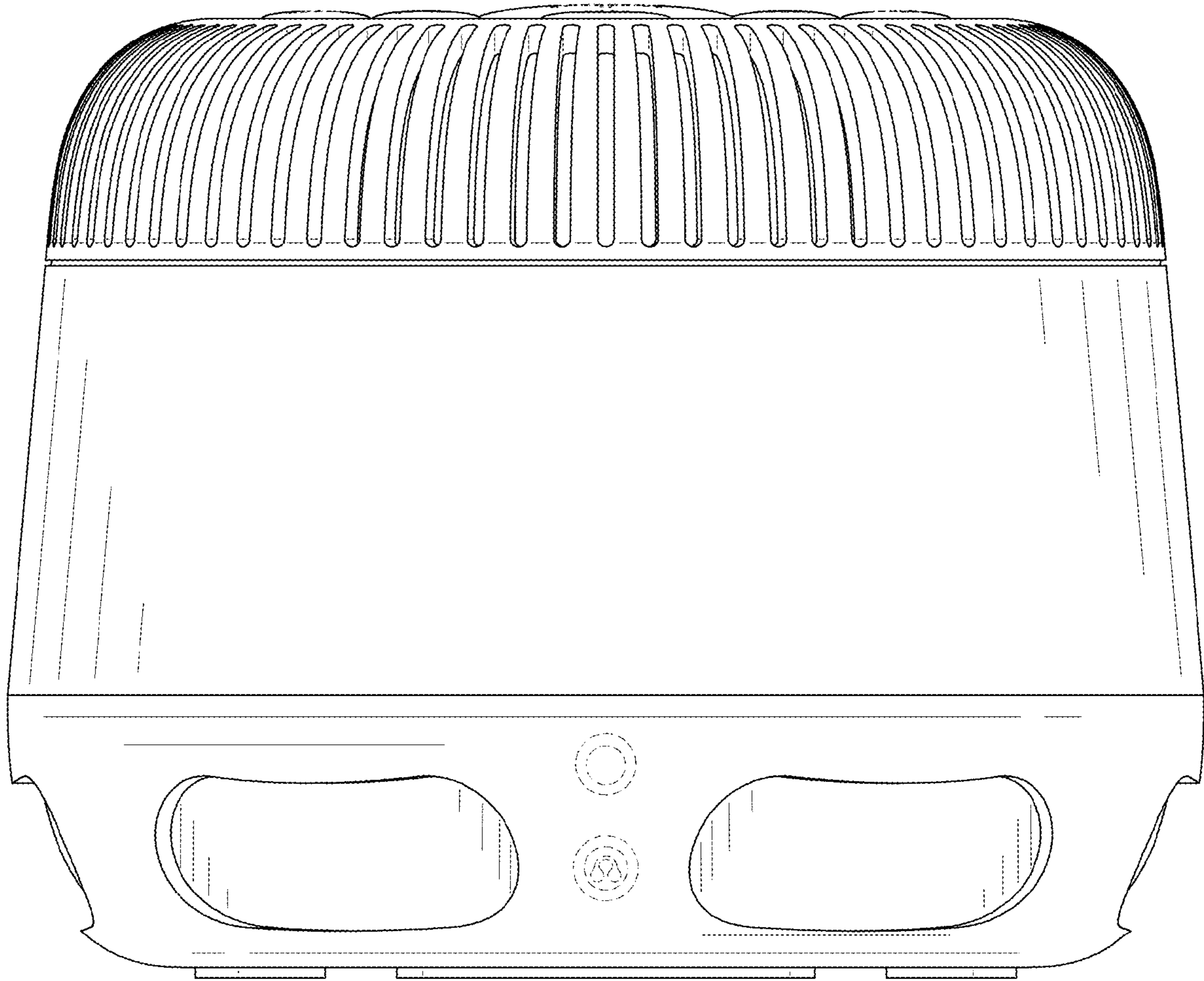


FIG. 3

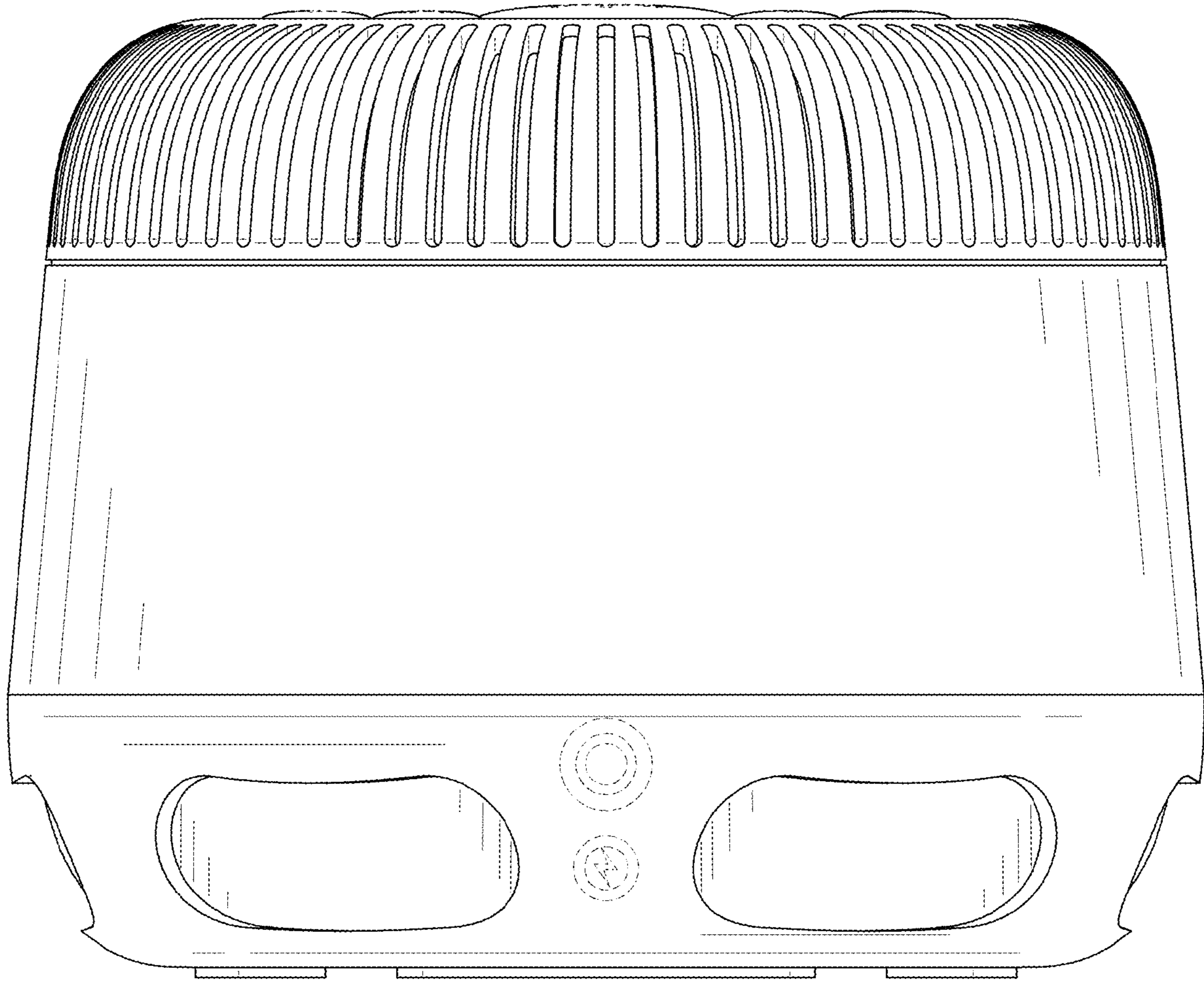


FIG. 4

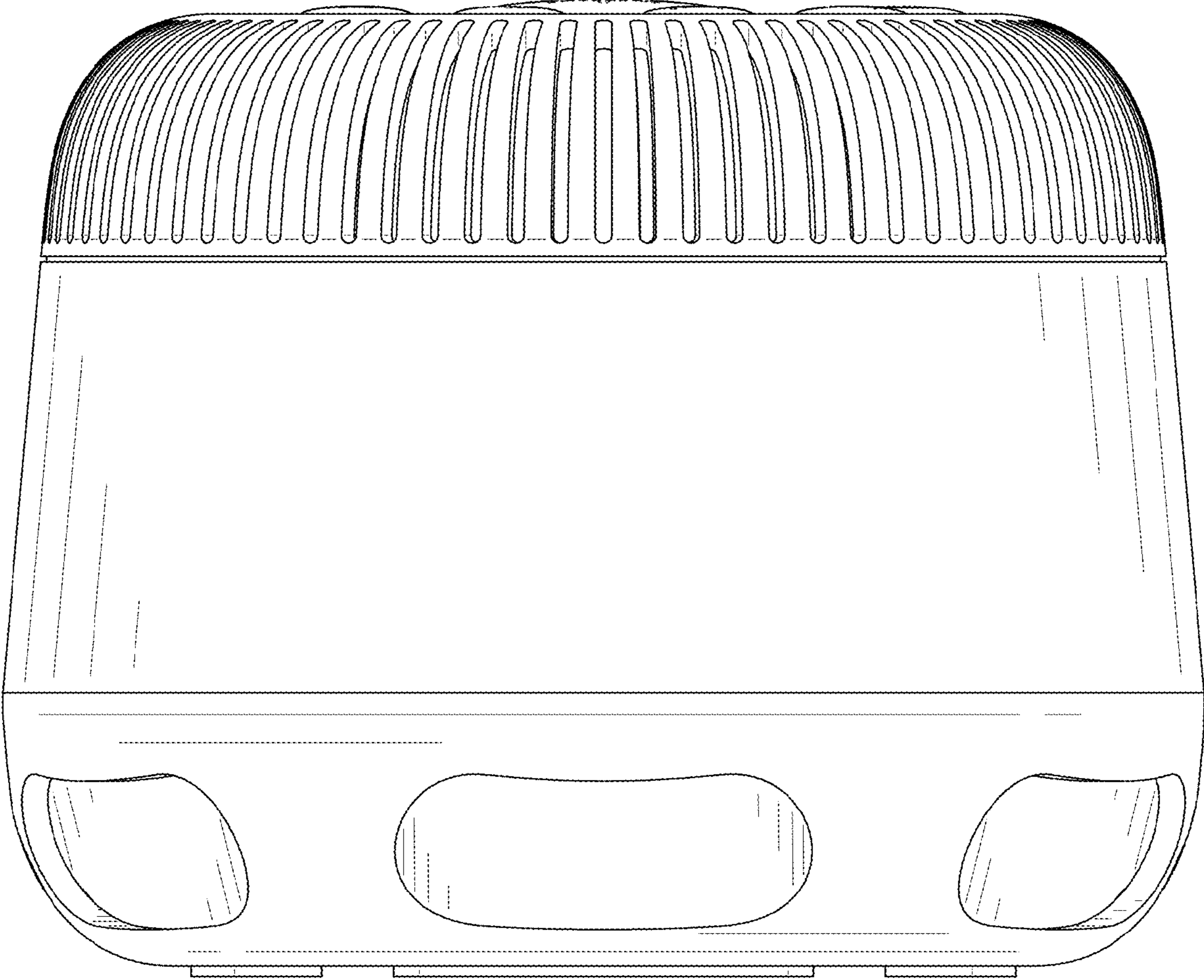


FIG. 5

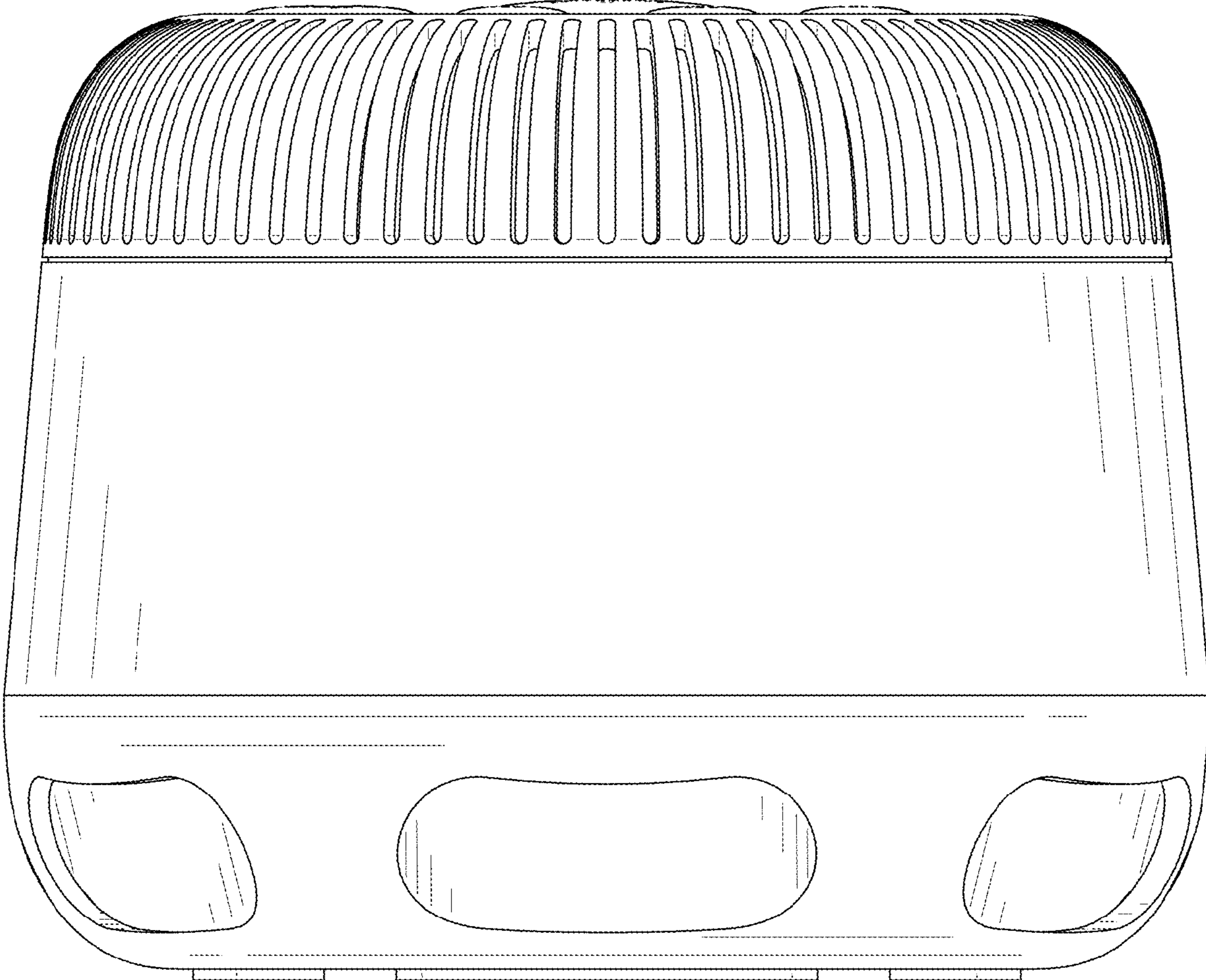


FIG. 6

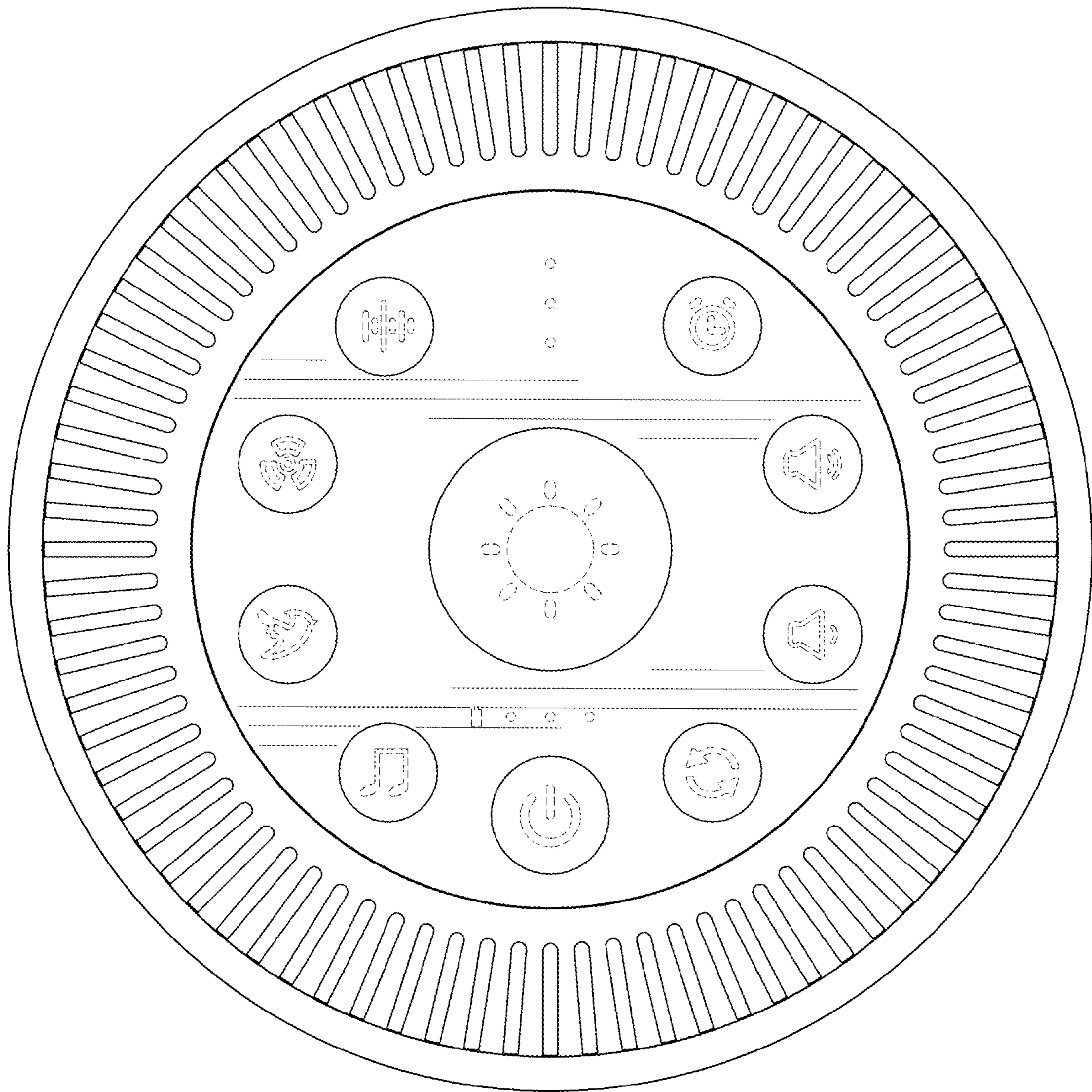


FIG. 7



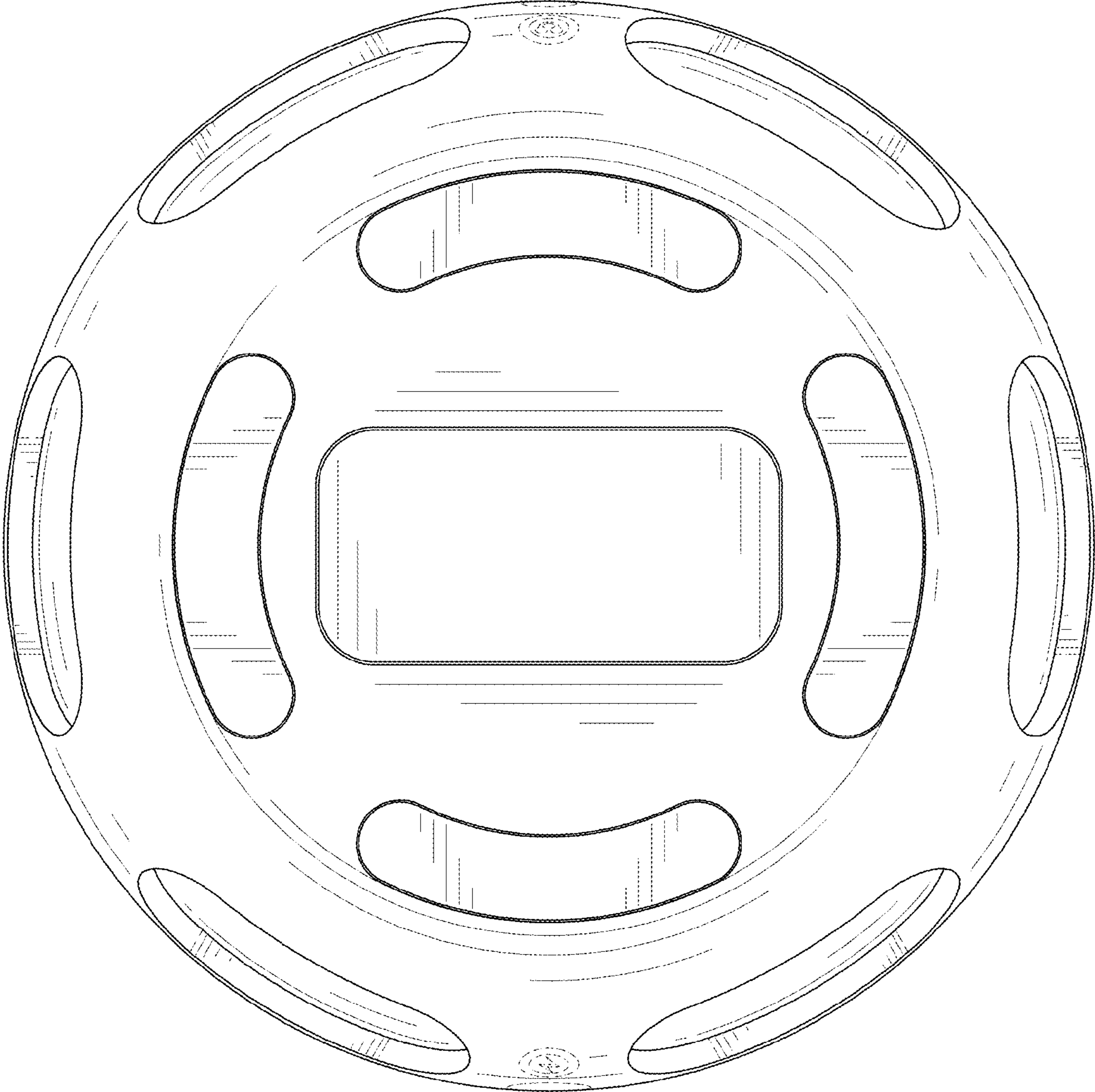


FIG. 8