



US00D952604S

(12) **United States Design Patent**
Kitamura

(10) **Patent No.:** **US D952,604 S**

(45) **Date of Patent:** **** May 24, 2022**

(54) **SPEAKER FOR AUTOMOBILE**

(71) Applicant: **PIONEER CORPORATION**, Tokyo (JP)

(72) Inventor: **Meiji Kitamura**, Tokyo (JP)

(73) Assignee: **PIONEER CORPORATION**, Tokyo (JP)

(**) Term: **15 Years**

(21) Appl. No.: **29/667,081**

(22) Filed: **Oct. 18, 2018**

(30) **Foreign Application Priority Data**

May 16, 2018 (JP) 2018-010706

(51) **LOC (13) Cl.** **14-01**

(52) **U.S. Cl.**
USPC **D14/216**

(58) **Field of Classification Search**

USPC D14/167, 168, 170-172, 188, 194-196,
D14/204, 209.1, 210-216, 219, 221, 222,
D14/224, 239, 496
CPC B60R 11/0217; G06F 1/1688; G10K 9/22;
G10K 11/004; H03F 1/327; H04M 1/03;
H04M 1/035; H04N 5/642; H04N
21/4852; H04R 1/02; H04R 1/06; H04R
1/021; H04R 1/025; H04R 1/026; H04R
1/028; H04R 1/105; H04R 1/323; H04R
1/403; H04R 1/2803; H04R 1/2834;
H04R 5/02; H04R 7/20; H04R 9/06;
H04R 9/025; H04R 2201/021; H04R
2400/00; H04R 2400/07; H04R 2499/11;
H04R 2499/13; H04R 2499/15; H04S
3/00; H04S 7/30

See application file for complete search history.

(56) **References Cited**

U.S. PATENT DOCUMENTS

3,046,362 A * 7/1962 White H04R 7/12
381/419
3,072,213 A * 1/1963 Petrie H04R 7/20
181/171
D556,738 S * 12/2007 Yao D14/216
D804,453 S * 12/2017 Katsuno D14/222
D875,084 S * 2/2020 Lopez Castillo H04R 1/025
D14/221

(Continued)

FOREIGN PATENT DOCUMENTS

JP D 1223334 11/2004
JP D 1241701 6/2005

(Continued)

OTHER PUBLICATIONS

Catalogue "Audio & AV 2017 Car Entertainment Dealer Reference Guide vol. 1" (pp. 60-65) issued on 2016.

Primary Examiner — Keli L Hill

(74) *Attorney, Agent, or Firm* — Faegre Drinker Biddle & Reath LLP

(57) **CLAIM**

The ornamental design for the speaker for automobile, as shown and described.

DESCRIPTION

FIG. 1 is a perspective view of a speaker for automobile showing our new design;
FIG. 2 is a front view thereof;
FIG. 3 is a rear view thereof;
FIG. 4 is a right side view thereof;
FIG. 5 is a left side view thereof;

(Continued)

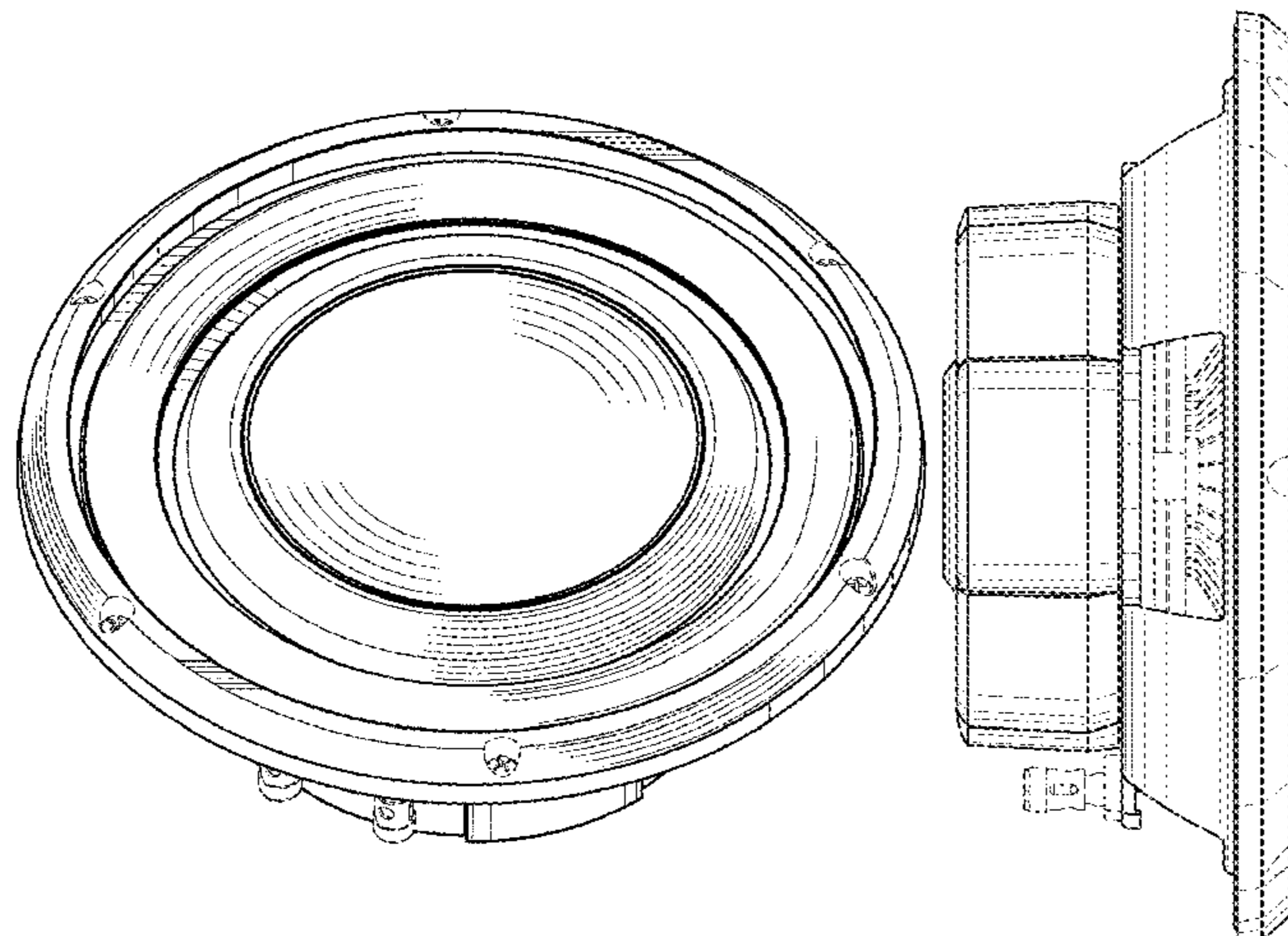


FIG. 6 is a top view thereof; and,
 FIG. 7 is a bottom view thereof.

The broken line showing of the speaker for automobile is included for the purpose of illustrating portions of the speaker for automobile and forms no part of the claimed design.

1 Claim, 7 Drawing Sheets

(56)

References Cited

U.S. PATENT DOCUMENTS

D881,846 S *	4/2020	Chen	H04R 7/20
			D14/222
D892,766 S *	8/2020	Matsubayashi	H04R 7/12
			D14/216
2014/0305734 A1 *	10/2014	Ivey	H04R 1/025
			181/150

FOREIGN PATENT DOCUMENTS

JP	D 1241800	6/2005
JP	D 1269145	4/2006
JP	D 1269160	4/2006
JP	D 1318645	1/2008
JP	D 1318822	1/2008
JP	D 1329052	5/2008
JP	D 1329082	5/2008
JP	D 1348902	1/2009
JP	D 1396786	9/2010
JP	D 1405269	1/2011
JP	D 1460825	2/2013
JP	D 1491994	3/2014
JP	D 1588864	10/2017
JP	D 1588865	10/2017
JP	D 1588882	10/2017
JP	D 1602130	4/2018
JP	D 1602149	4/2018
JP	D 1602167	4/2018

* cited by examiner

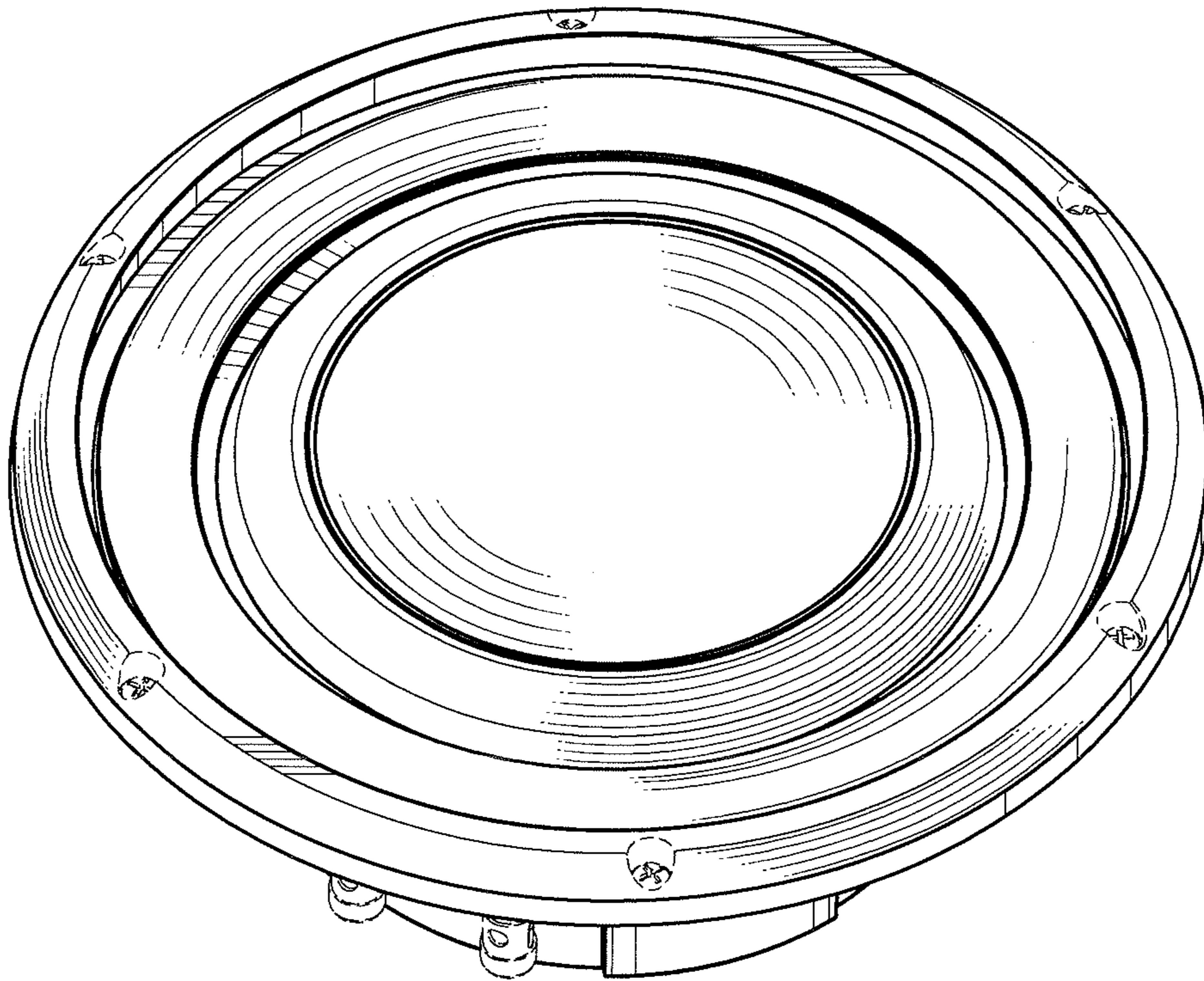


FIG. 1

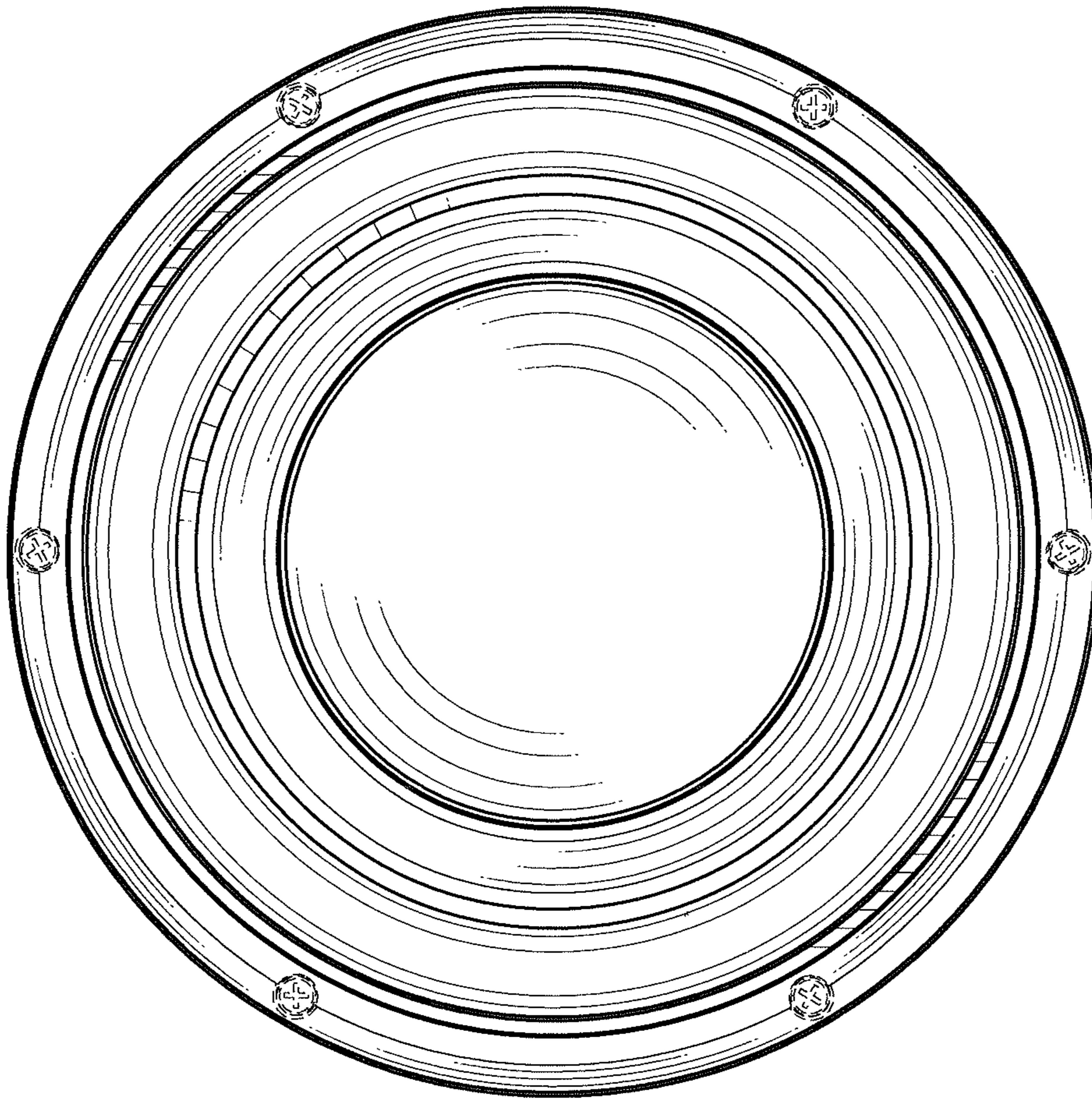


FIG. 2

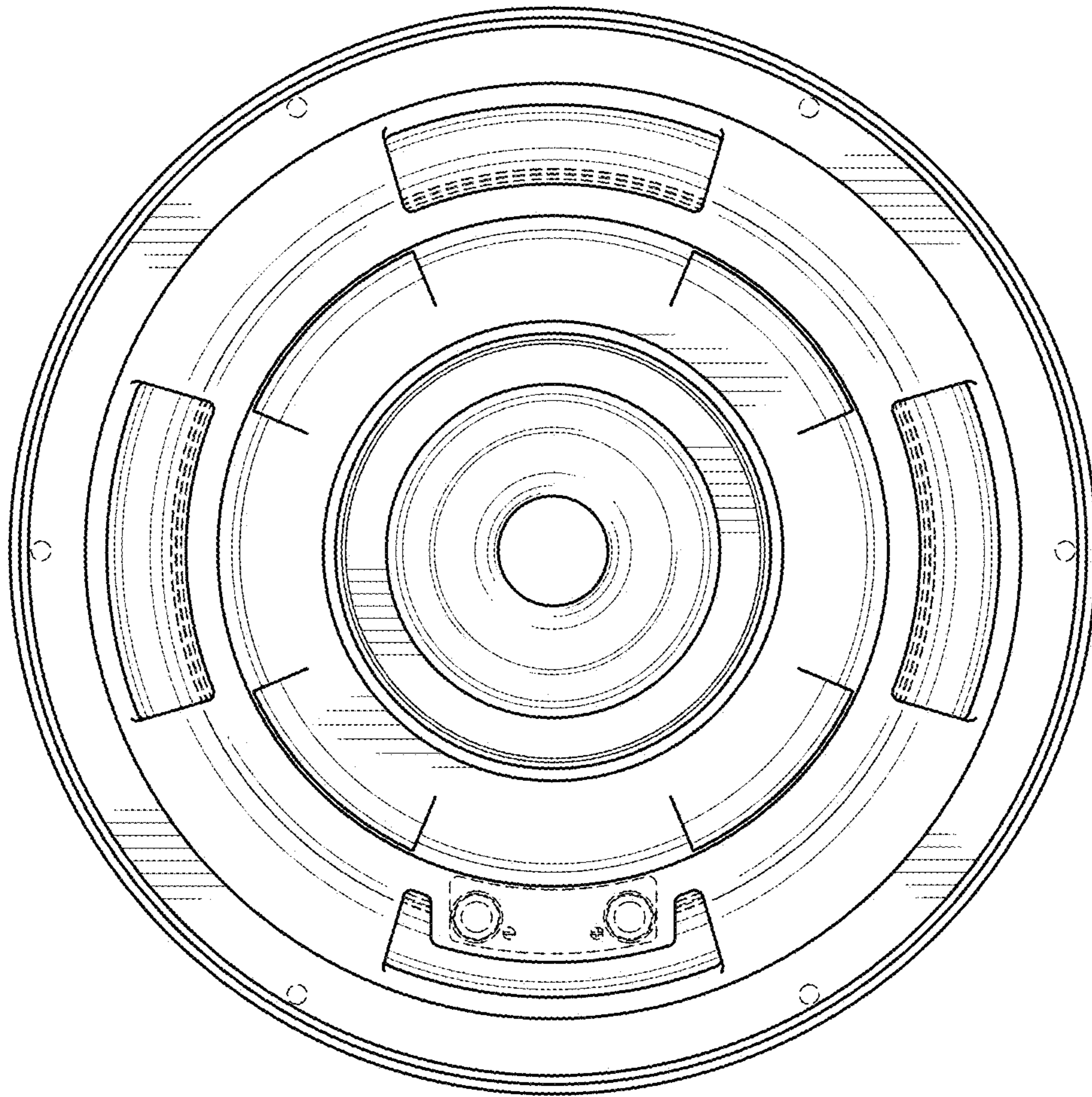


FIG. 3

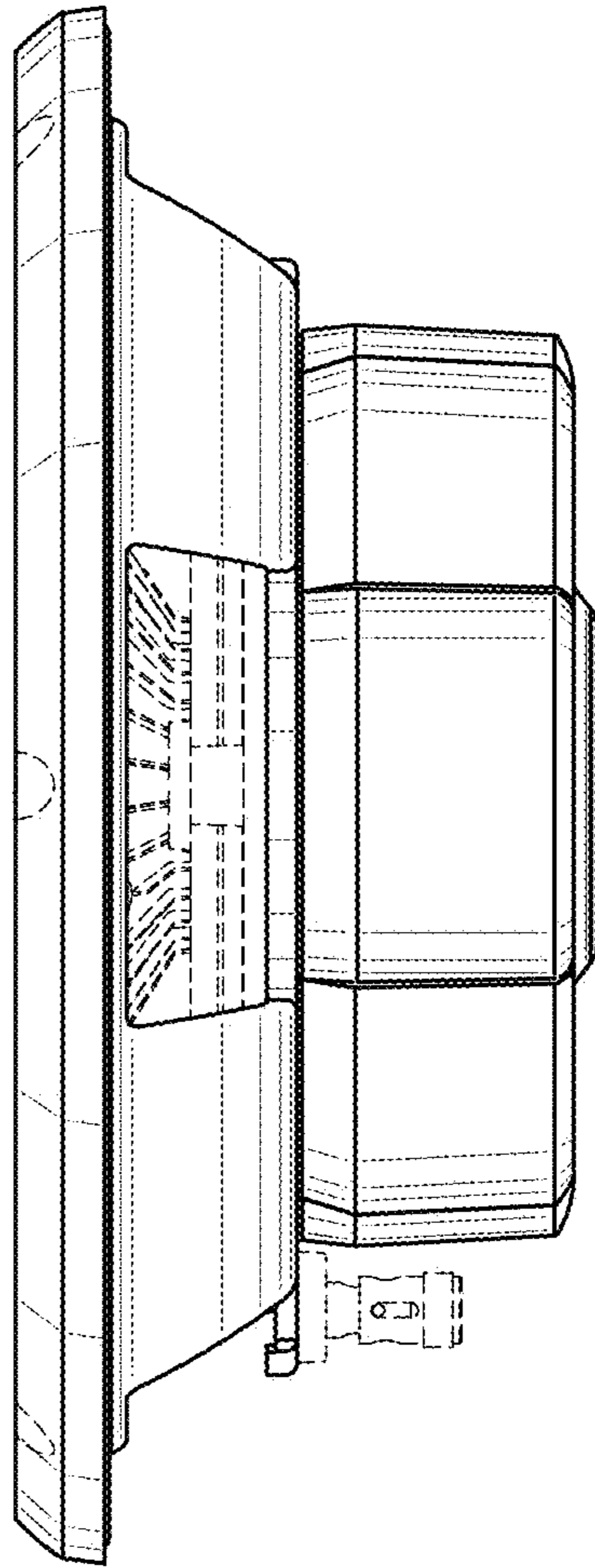


FIG. 4

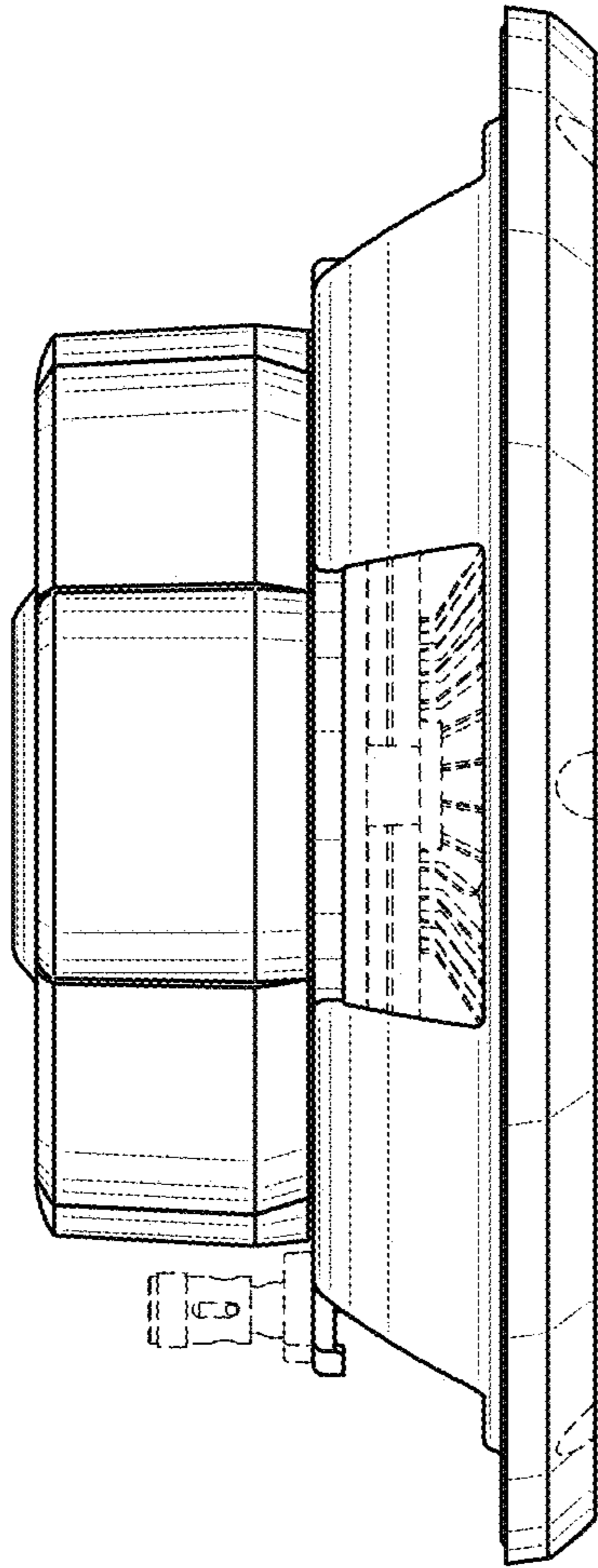


FIG. 5

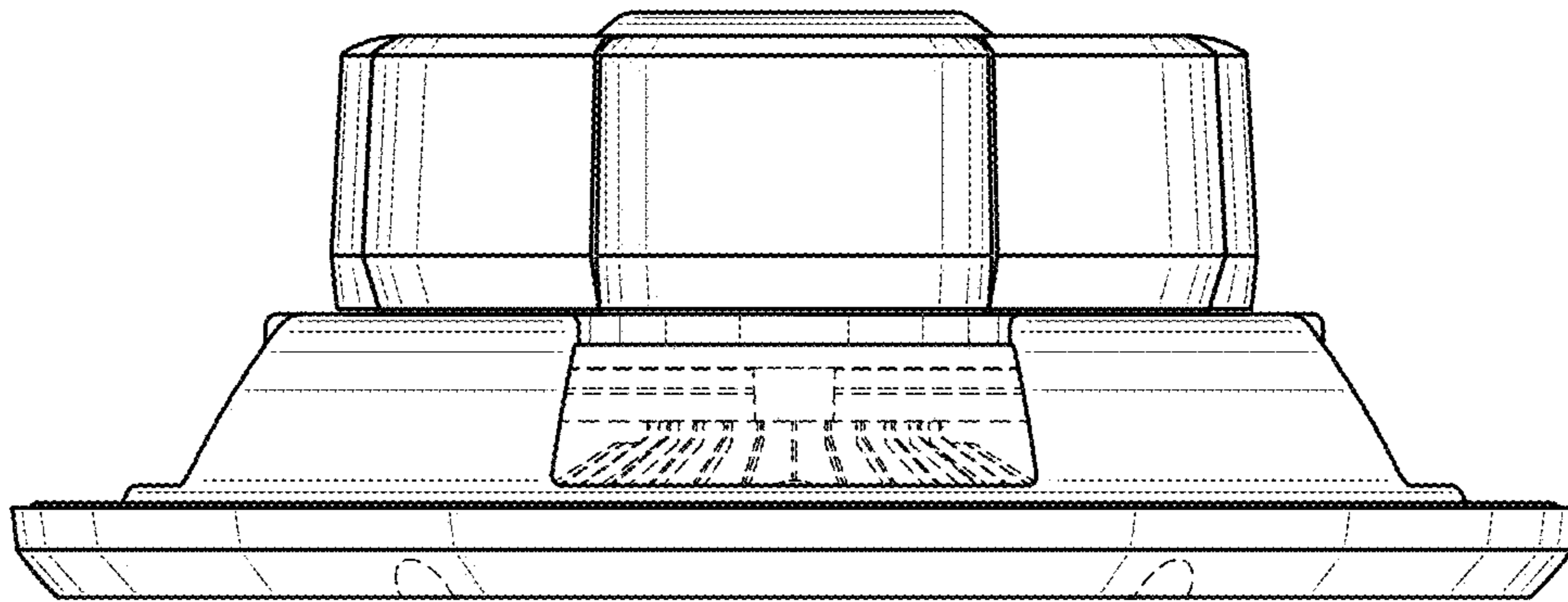


FIG. 6

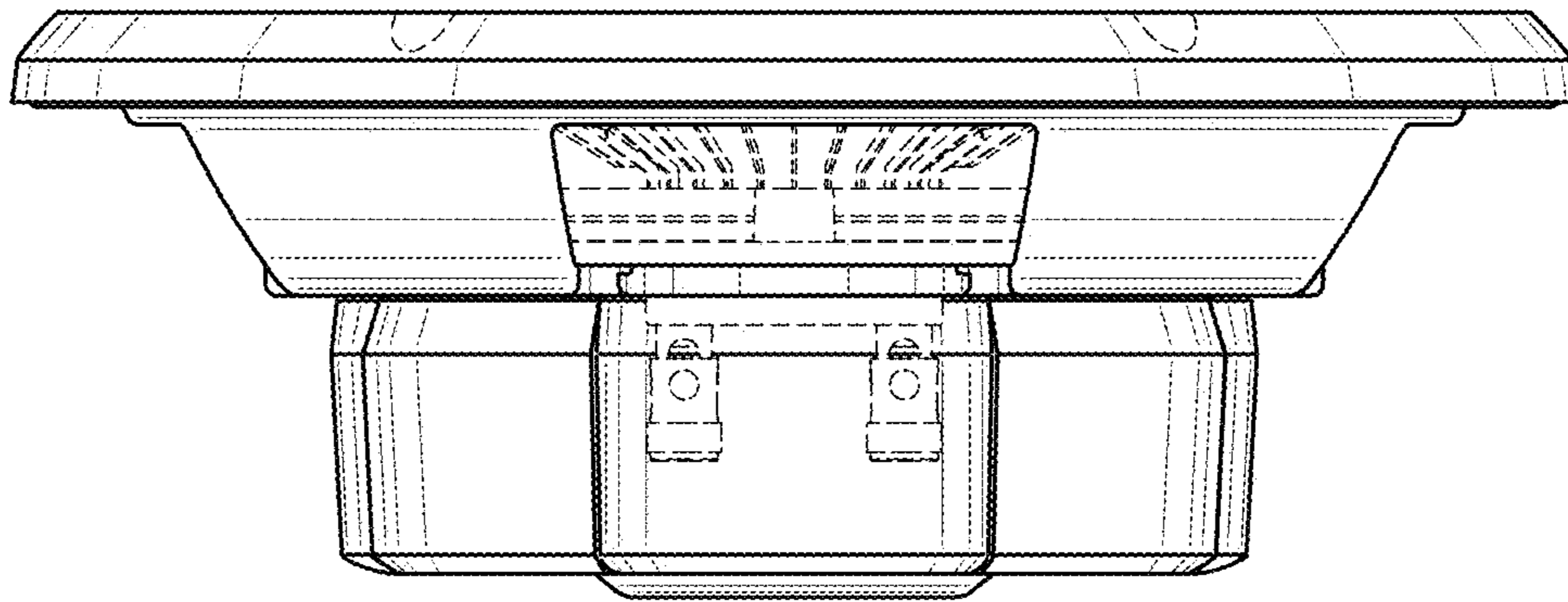


FIG. 7