



US00D952601S

(12) **United States Design Patent**
Chen

(10) **Patent No.:** **US D952,601 S**

(45) **Date of Patent:** **** May 24, 2022**

(54) **HEADPHONE**

(71) Applicant: **Shenzhen Shenggao Network Technology Co., Ltd., Shenzhen (CN)**

(72) Inventor: **Xiongbn Chen, Shenzhen (CN)**

(**) Term: **15 Years**

(21) Appl. No.: **29/744,747**

(22) Filed: **Jul. 31, 2020**

(51) **LOC (13) Cl.** **14-01**

(52) **U.S. Cl.**
USPC **D14/206; D14/226**

(58) **Field of Classification Search**
USPC D14/206, 226, 205, 188, 192; D29/112;
2/209; 181/129; 379/430; 381/380, 381,
381/374, 375, 378, 309; 455/90.3, 575.1,
455/569.1
CPC H04R 25/00; H04R 25/02; H04R 1/1066;
H04R 1/1016; H04R 5/033; H04R
5/0335; H04R 1/105; H04R 19/04; H04R
11/04; H04R 1/1091
See application file for complete search history.

(56) **References Cited**

U.S. PATENT DOCUMENTS

3,786,519	A *	1/1974	Aileo	A42B 3/10 2/6.2
3,862,378	A *	1/1975	Norris	H04M 1/05 379/430
4,118,606	A *	10/1978	Larkin	H04B 1/385 181/20
4,420,657	A *	12/1983	Larkin	H04M 1/05 181/129
5,210,792	A *	5/1993	Kajihara	H04M 1/05 379/430
D371,133	S *	6/1996	Andrea	D14/206
6,101,260	A *	8/2000	Jensen	H04M 1/05 379/430

D504,883	S *	5/2005	Jacobson	D14/192
D517,527	S *	3/2006	Suzuki	D14/205
D518,479	S *	4/2006	Skulley	D14/225
D613,266	S *	4/2010	Barry	D14/205
8,139,807	B2 *	3/2012	Reiss	H04R 1/1058 381/375
8,223,984	B2 *	7/2012	Roos	A61F 11/14 381/72
D689,463	S *	9/2013	Hardi	D14/205
D690,284	S *	9/2013	Brennwald	D14/205
D699,216	S *	2/2014	Bonahoom	D14/205
D699,702	S *	2/2014	Chen	D14/205
D713,817	S *	9/2014	Paterson	D14/205
D716,256	S *	10/2014	Ang	D14/205

(Continued)

FOREIGN PATENT DOCUMENTS

EM	003304377-0015	*	7/2016
EM	008321947-0001	*	12/2020

(Continued)

Primary Examiner — Paula Allen Greene

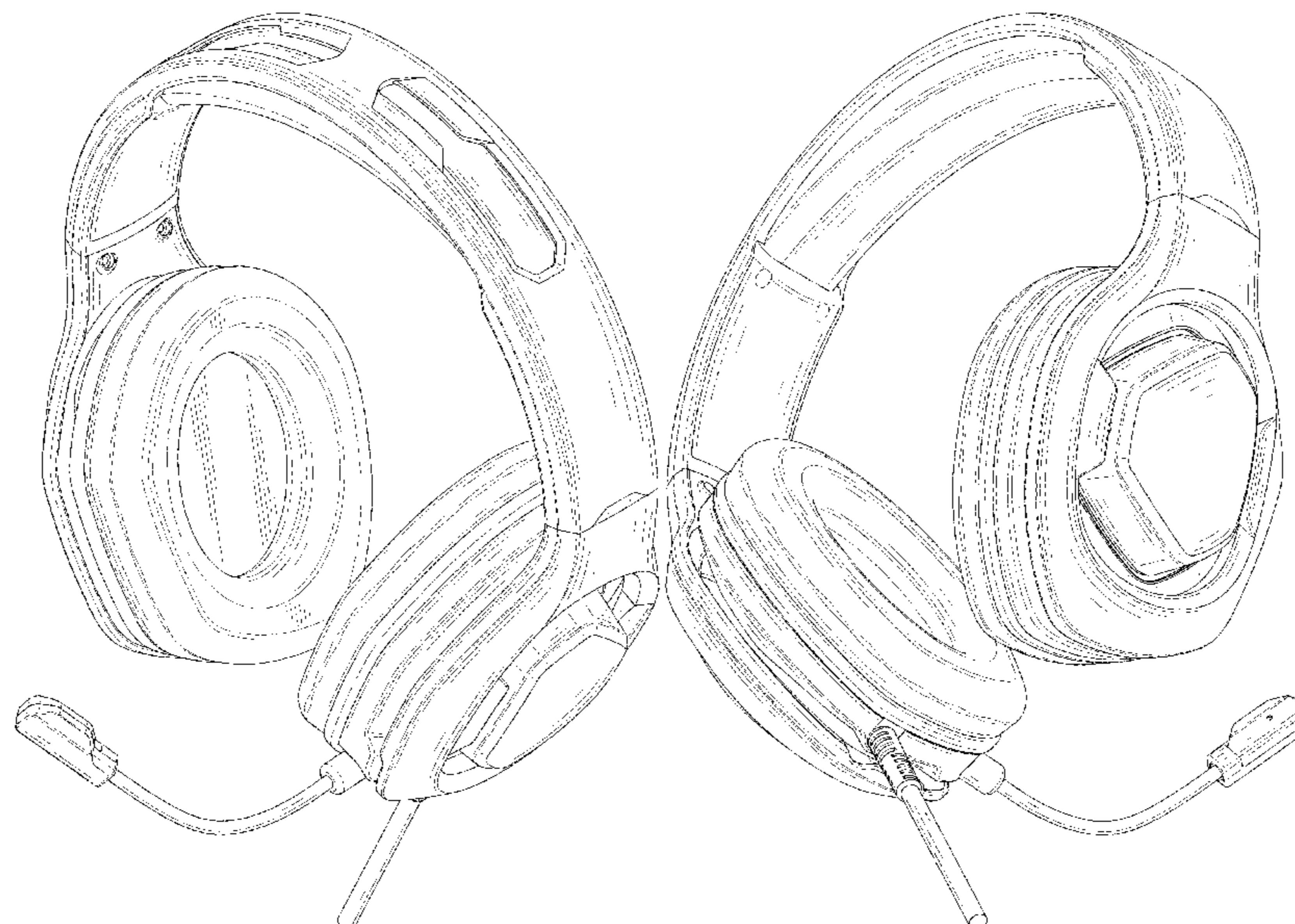
(57) **CLAIM**

The ornamental design for a headphone, as shown and described.

DESCRIPTION

FIG. 1 is a first perspective view of a headphone showing my new design;
FIG. 2 is a second perspective view thereof;
FIG. 3 is a front view thereof;
FIG. 4 is a back view thereof;
FIG. 5 is a left side view thereof;
FIG. 6 is a right side view thereof;
FIG. 7 is a top view thereof; and,
FIG. 8 is a bottom view thereof.
The broken lines shown in the drawings depict portions of the headphone in which the design is embodied that form no part of the claimed design.

1 Claim, 8 Drawing Sheets



(56)

References Cited

U.S. PATENT DOCUMENTS

9,036,849 B2 * 5/2015 Thompson H04R 1/083
 381/375
 D733,677 S * 7/2015 Ling D14/206
 D741,286 S * 10/2015 Brennwald D14/205
 D752,018 S * 3/2016 Gondo D14/205
 D787,470 S * 5/2017 Kelly D14/205
 D815,614 S * 4/2018 Tzeng D14/205
 D820,813 S * 6/2018 Sharp D14/206
 D831,000 S * 10/2018 Chong D14/206
 D840,977 S * 2/2019 Pu D14/206
 D853,988 S * 7/2019 Wang D14/206
 D856,969 S * 8/2019 Tang D14/206
 D856,971 S * 8/2019 Tang D14/206
 D857,657 S * 8/2019 Skinner D14/206
 D859,355 S * 9/2019 Hu D14/205
 D866,515 S * 11/2019 Long D14/206
 D875,711 S * 2/2020 Long D14/205

D877,116 S * 3/2020 Liu D14/206
 D880,450 S * 4/2020 Liu D14/206
 D891,398 S * 7/2020 Chen D14/206
 D891,399 S * 7/2020 Chen D14/206
 D907,004 S * 1/2021 Zhou D14/206
 D909,337 S * 2/2021 Liu D14/206
 D910,594 S * 2/2021 Chen D14/206
 D923,602 S * 6/2021 Kelley D14/206
 D940,100 S * 1/2022 Xie D14/206
 D941,273 S * 1/2022 Czaniecki D14/223
 2011/0194721 A1 * 8/2011 Schmidt H04M 1/05
 381/370
 2017/0019728 A1 * 1/2017 Cochran H04R 1/1091
 2017/0245043 A1 * 8/2017 Abbott A42B 3/04

FOREIGN PATENT DOCUMENTS

EM 008464721-0001 * 3/2021
 EM 008642748-0002 * 8/2021

* cited by examiner

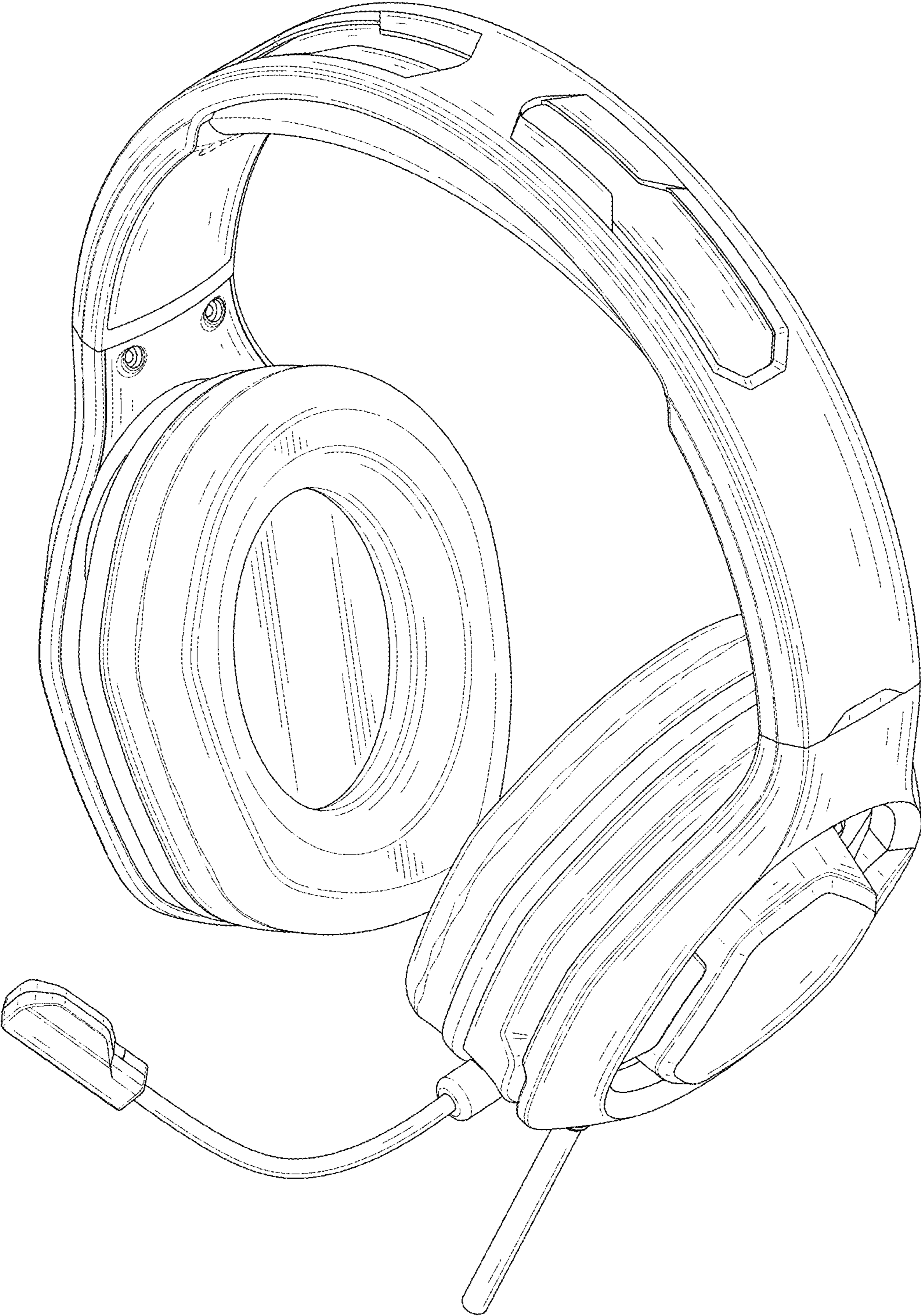


FIG. 1



FIG. 2



FIG. 3



FIG. 4

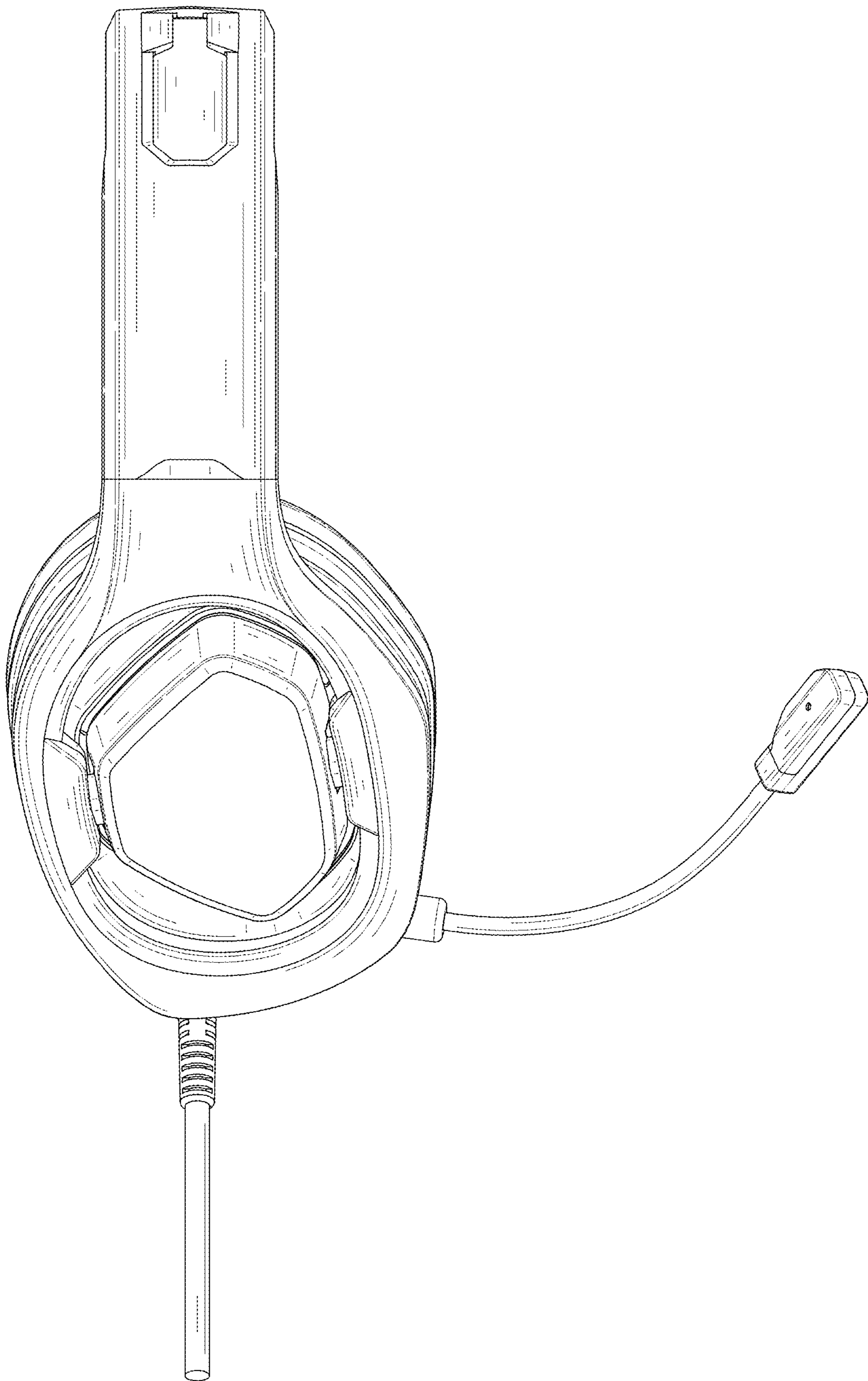


FIG. 5

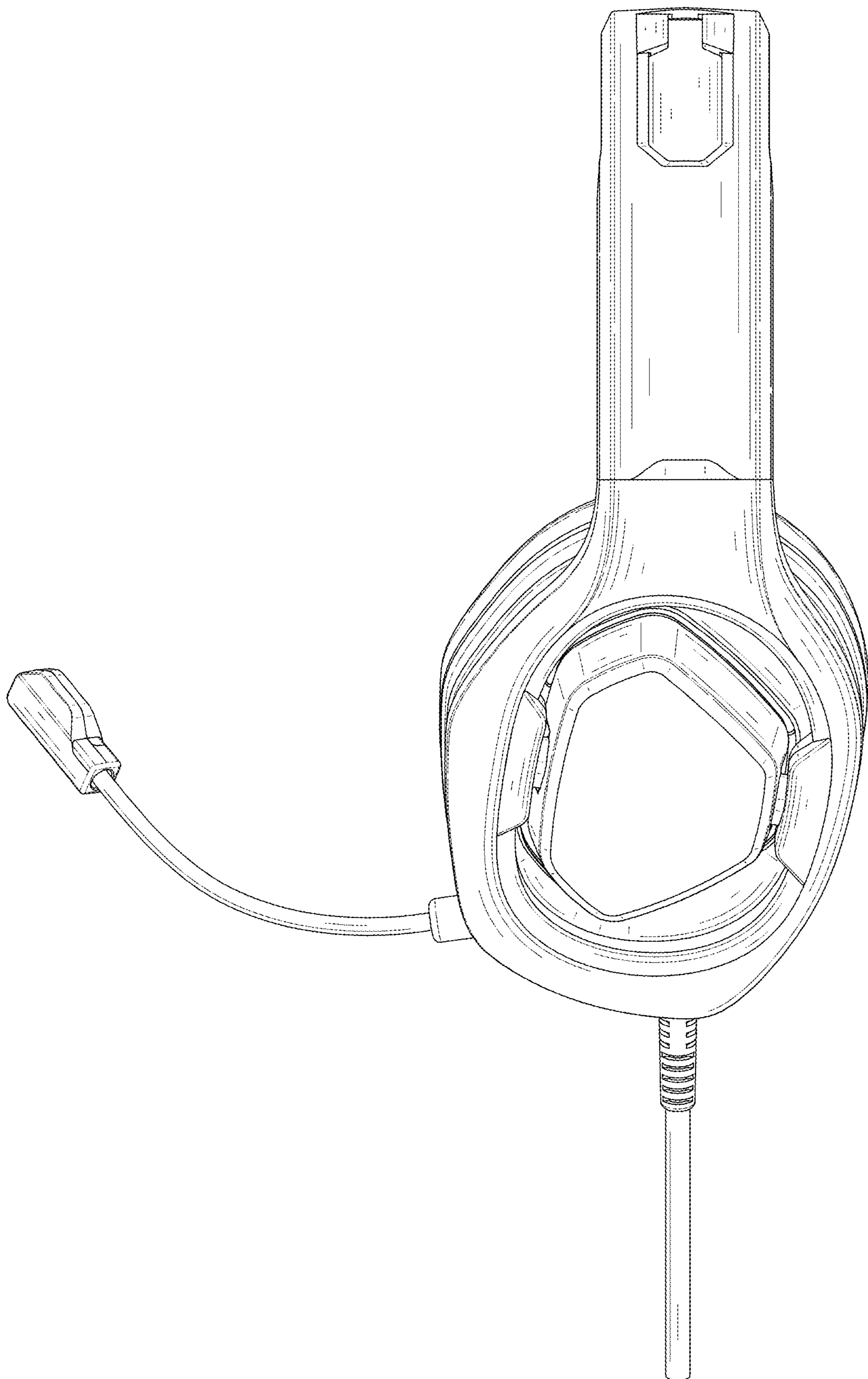


FIG. 6

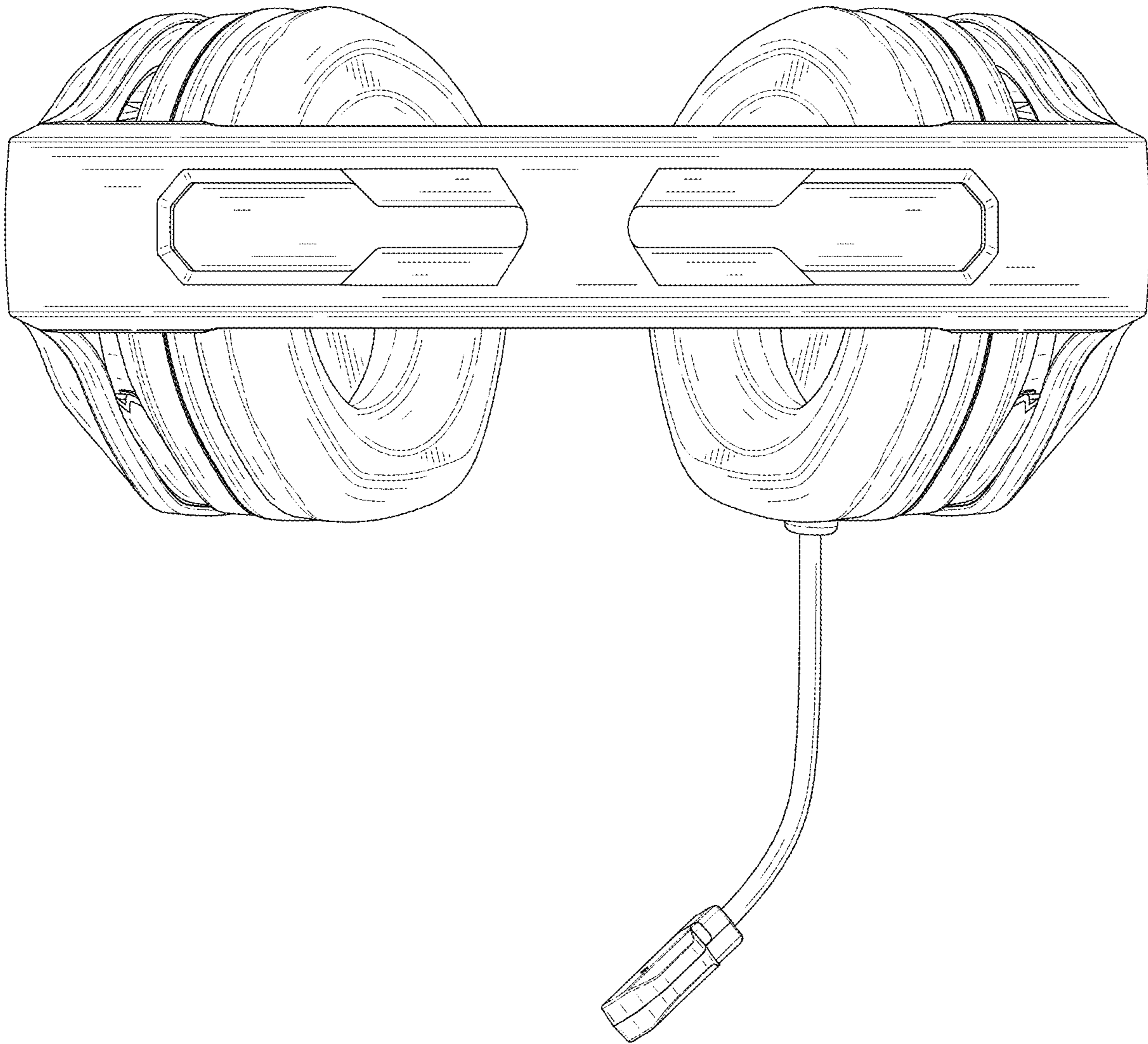


FIG. 7

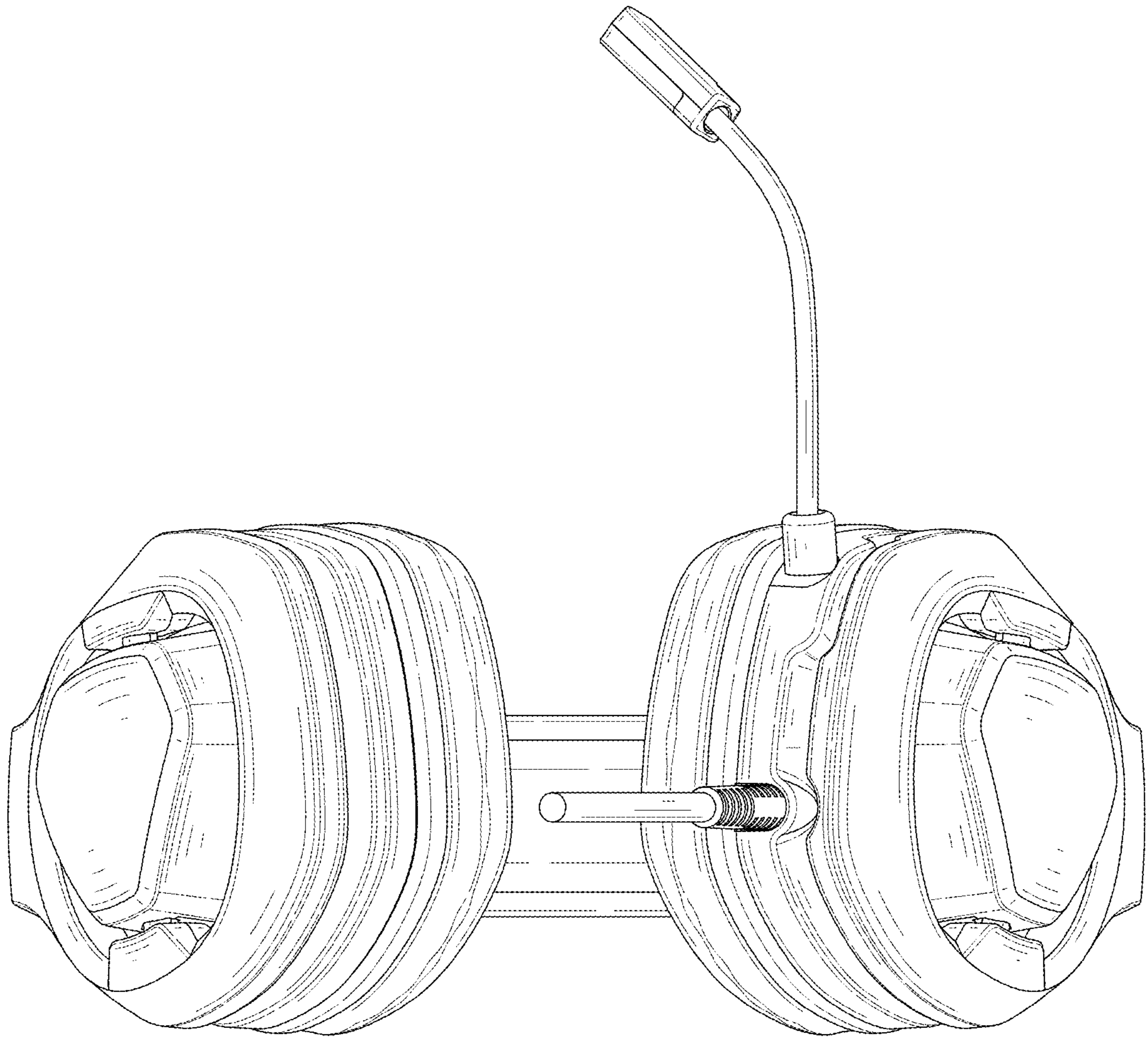


FIG. 8