



US00D952599S

(12) **United States Design Patent** (10) **Patent No.:** **US D952,599 S**  
**Bellham et al.** (45) **Date of Patent:** **\*\* May 24, 2022**

(54) **HEADPHONES**  
(71) Applicant: **GN AUDIO A/S**, Ballerup (DK)  
(72) Inventors: **Philip Bellham**, Ballerup (DK);  
**Rasmus Trudslev Pedersen**, Ballerup (DK); **Bill Zeng**, Ballerup (DK)  
(73) Assignee: **GN Audio A/S**, Ballerup (DK)  
(\*\*) Term: **15 Years**  
(21) Appl. No.: **29/738,531**  
(22) Filed: **Jun. 18, 2020**

D639,385 S \* 6/2011 Flowers ..... D23/213  
8,139,807 B2 \* 3/2012 Reiss ..... H04R 1/1058  
381/375  
D662,490 S \* 6/2012 McSweyn ..... D14/205  
D666,579 S \* 9/2012 Hou ..... D14/205  
D673,521 S \* 1/2013 Yoneyama ..... D14/205  
D678,860 S \* 3/2013 Hagelin ..... D14/205  
D690,284 S \* 9/2013 Brennwald ..... D14/205  
D697,048 S \* 1/2014 Pavitsich ..... D14/205  
D699,702 S \* 2/2014 Chen ..... D14/205  
D708,163 S \* 7/2014 Ishikura ..... D14/205  
8,879,768 B2 \* 11/2014 Podoloff ..... H04R 1/1041  
381/373  
D719,548 S \* 12/2014 Thompson ..... D14/223  
D721,052 S \* 1/2015 Carr ..... D14/205

(Continued)

(30) **Foreign Application Priority Data**

Dec. 19, 2019 (EM) ..... 007433701-1-5

(51) **LOC (13) Cl.** ..... **14-01**

(52) **U.S. Cl.**  
USPC ..... **D14/206**

(58) **Field of Classification Search**  
USPC ..... D14/206, 205, 226, 225, 188, 192;  
D29/112; 2/209; 381/380, 381, 370, 74,  
381/374; 455/90.3, 575.1, 569.1  
CPC ..... H04R 25/00; H04R 25/02; H04R 1/1066;  
H04R 1/1016; H04R 5/033; H04R  
5/0335; H04R 1/02; H04R 19/04; H04R  
19/02; H04R 1/1008; H04R 1/1091  
See application file for complete search history.

(56) **References Cited**

**U.S. PATENT DOCUMENTS**

1,918,087 A \* 7/1933 Donley ..... G02B 5/122  
359/547  
4,993,074 A \* 2/1991 Carroll ..... H04R 5/033  
181/129  
D328,299 S \* 7/1992 Gasparaitis ..... D14/219  
D423,012 S \* 4/2000 Yasutomi ..... D14/205  
D510,335 S \* 10/2005 Suzuki ..... D14/205

**FOREIGN PATENT DOCUMENTS**

CN 305912553 \* 7/2020  
CN 306297360 \* 1/2021

(Continued)

*Primary Examiner* — Paula Allen Greene  
(74) *Attorney, Agent, or Firm* — Hamre, Schumann,  
Mueller & Larson, P.C.

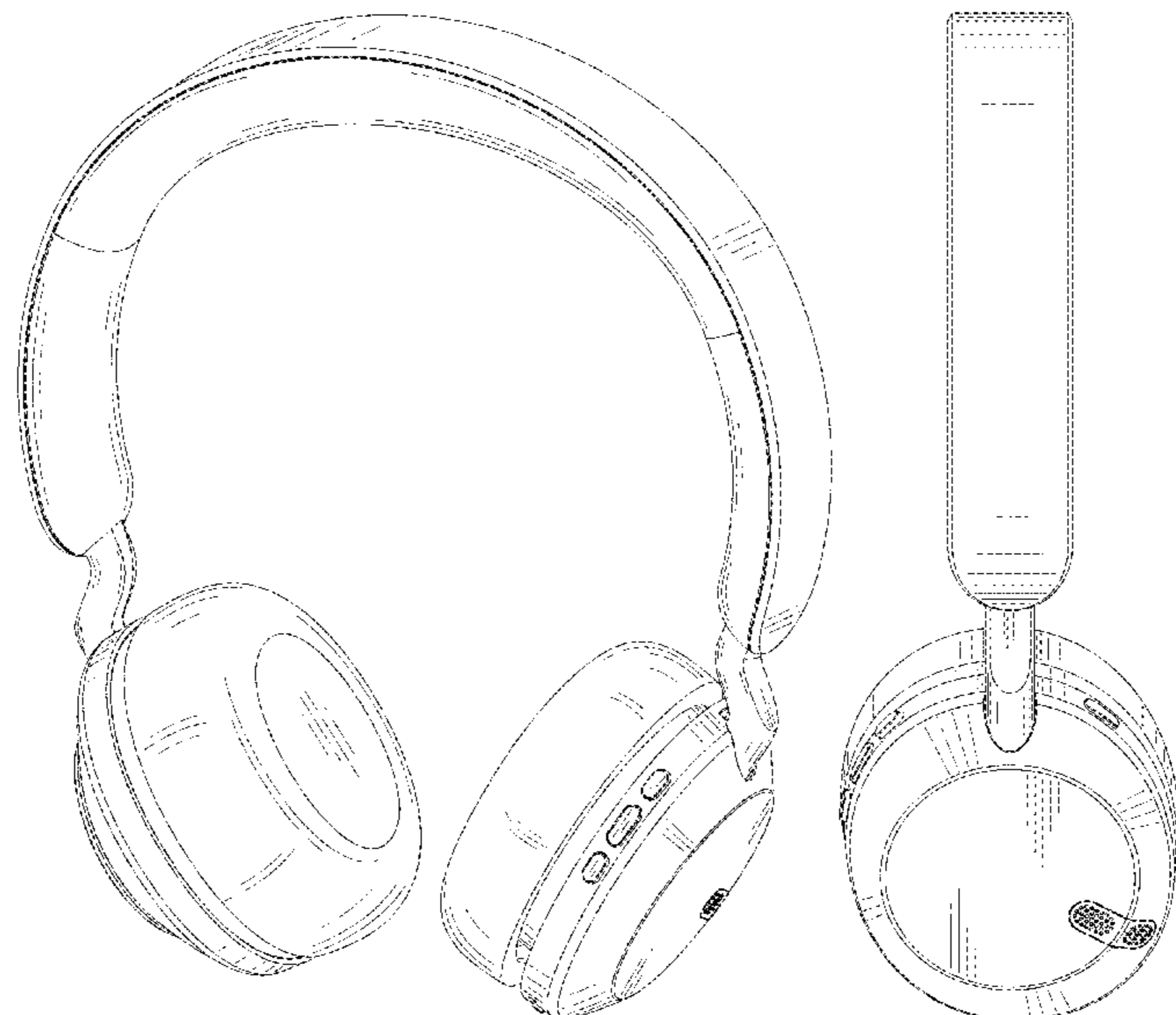
(57) **CLAIM**

The ornamental design for a headphones, as shown and described.

**DESCRIPTION**

FIG. 1 is a front perspective front view of headphones showing the new design.  
FIG. 2 is a front perspective view thereof.  
FIG. 3 is a front view thereof.  
FIG. 4 is a rear view thereof.  
FIG. 5 is a right view thereof.  
FIG. 6 is a left view thereof.  
FIG. 7 is a top view thereof; and,  
FIG. 8 is a bottom view thereof.

**1 Claim, 7 Drawing Sheets**



(56)

References Cited

U.S. PATENT DOCUMENTS

D728,512 S \* 5/2015 Nakagawa ..... D14/205  
 D733,090 S \* 6/2015 Petersen ..... D14/205  
 D735,161 S \* 7/2015 Sparks ..... D14/205  
 D737,799 S \* 9/2015 Carr ..... D14/205  
 D783,572 S \* 4/2017 Matthews ..... D14/205  
 D807,323 S \* 1/2018 Wang ..... D14/205  
 D809,476 S \* 2/2018 Summerson ..... D14/205  
 D810,046 S \* 2/2018 Dryden ..... D14/205  
 10,003,876 B2 \* 6/2018 Messingher ..... H04R 1/1008  
 10,015,580 B1 \* 7/2018 Bruno ..... H04R 5/033  
 D834,260 S \* 11/2018 Garcia Mansilla ..... D29/112  
 10,129,631 B2 \* 11/2018 Jetter ..... H04R 1/1066  
 D837,763 S \* 1/2019 Suzuki ..... D14/205  
 D840,370 S \* 2/2019 Kelly ..... D14/205  
 D852,775 S \* 7/2019 Ando ..... D14/205  
 D852,776 S \* 7/2019 Zhu ..... D14/205  
 D852,777 S \* 7/2019 Park ..... D14/206  
 D869,430 S \* 12/2019 Rama ..... D14/205  
 D884,677 S \* 5/2020 Feng ..... D14/216  
 D891,396 S \* 7/2020 Matthews ..... D14/205

D913,988 S \* 3/2021 Bellham ..... D14/205  
 D915,346 S \* 4/2021 Lorsold ..... D14/206  
 D918,861 S \* 5/2021 Chen ..... D14/204  
 D920,955 S \* 6/2021 Shimada ..... D14/206  
 D928,114 S \* 8/2021 Terazaki ..... D14/205  
 D928,741 S \* 8/2021 Komiyama ..... D14/221  
 2008/0069391 A1 \* 3/2008 Steyn ..... H04R 1/1083  
 381/371  
 2011/0211723 A1 \* 9/2011 Annunziato ..... H04R 1/2849  
 381/380  
 2018/0048952 A1 \* 2/2018 Hong ..... G10K 11/175  
 2020/0396532 A1 \* 12/2020 Bui ..... A61B 5/0006  
 2021/0377672 A1 \* 12/2021 Grinnip, III ..... H04R 19/02

FOREIGN PATENT DOCUMENTS

CN 306460546 \* 4/2021  
 CN 306662433 \* 7/2021  
 CN 306738278 \* 8/2021  
 EM 008634927-0001 \* 7/2021  
 GB 9008028526-0004 \* 7/2020

\* cited by examiner



FIG. 1



FIG. 2



FIG. 3



FIG. 4

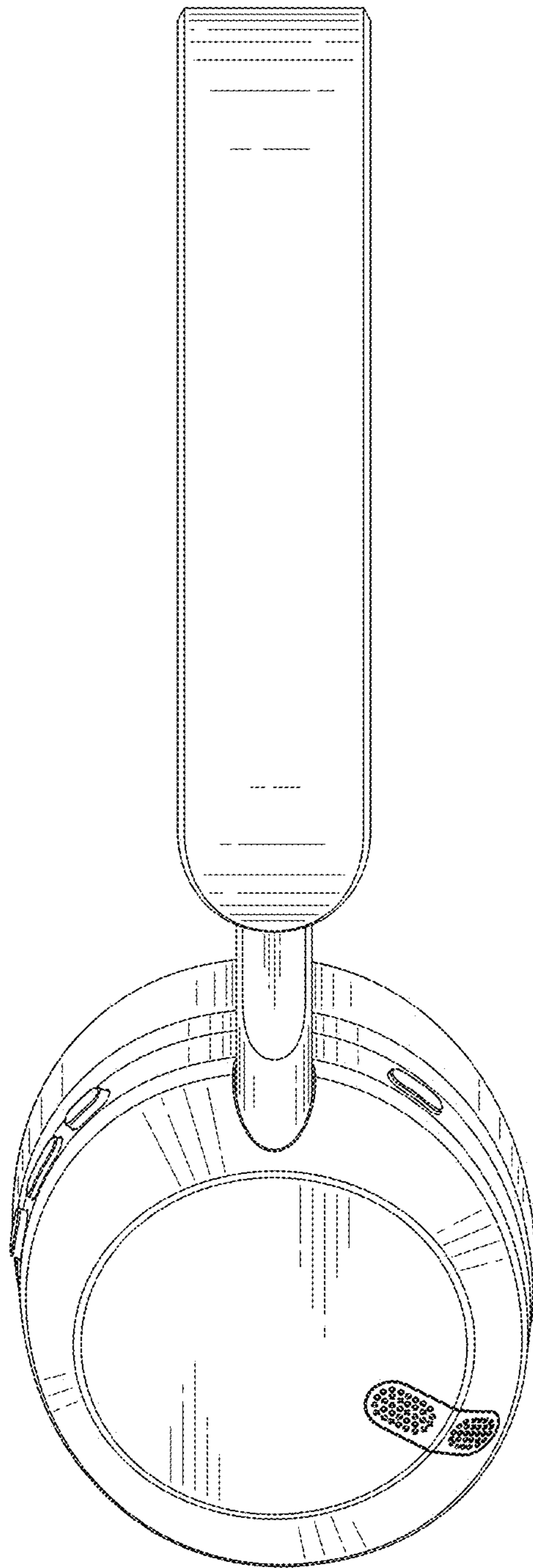


FIG. 5

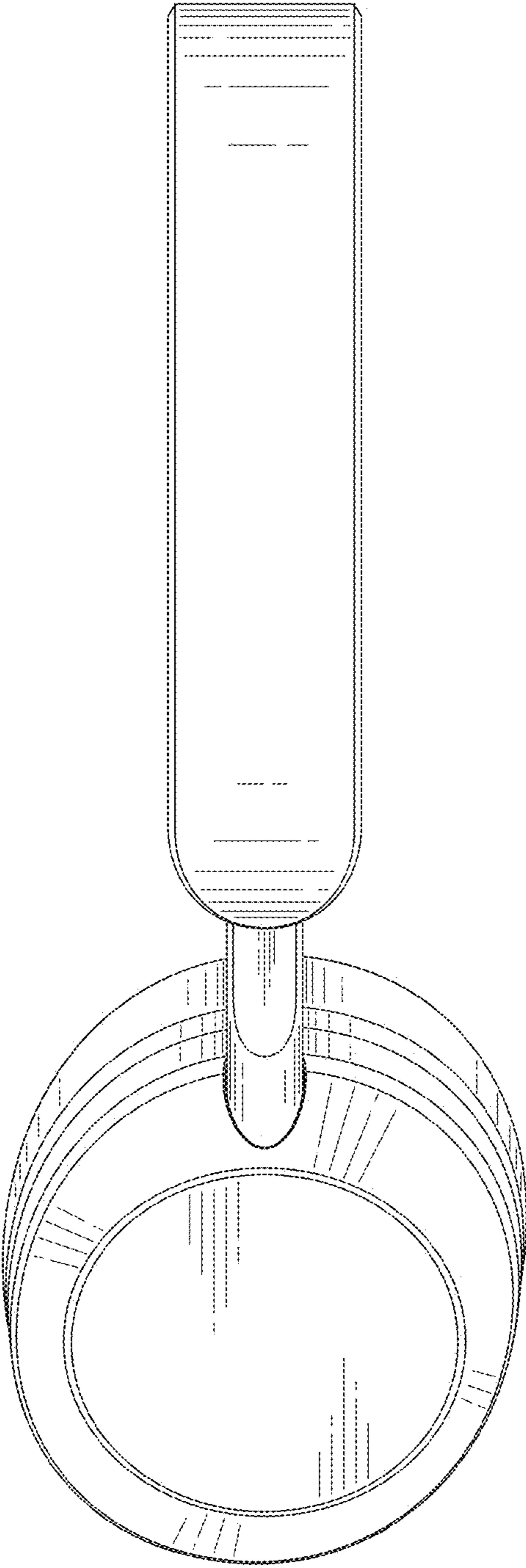


FIG. 6



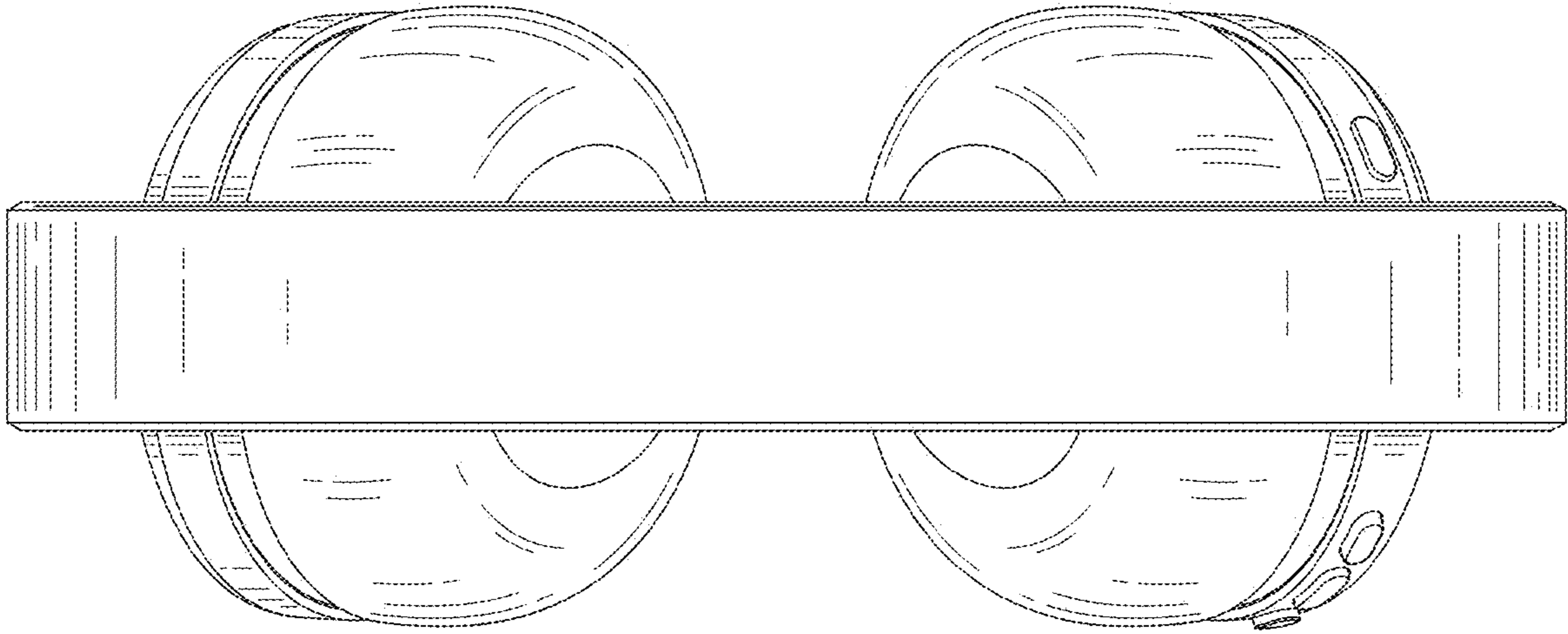


FIG. 7

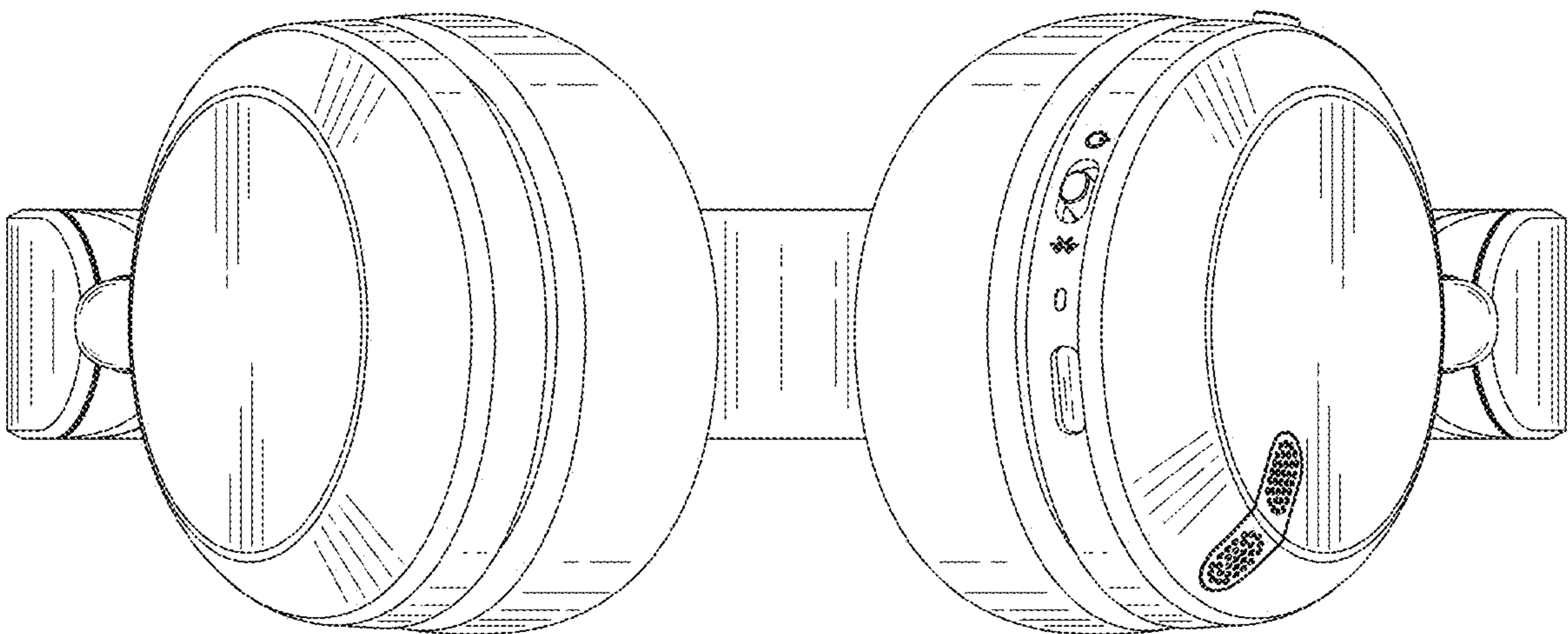


FIG. 8