

US00D952598S

(12) **United States Design Patent** (10) **Patent No.:** **US D952,598 S**  
**Akana et al.** (45) **Date of Patent:** **\*\* May 24, 2022**

(54) **COMPONENT FOR A HEADPHONE**

(71) Applicant: **Apple Inc.**, Cupertino, CA (US)

(72) Inventors: **Jody Akana**, San Francisco, CA (US); **Molly Anderson**, San Francisco, CA (US); **Bartley K. Andre**, Palo Alto, CA (US); **Shota Aoyagi**, San Francisco, CA (US); **Anthony Michael Ashcroft**, San Francisco, CA (US); **Marine C. Bataille**, San Francisco, CA (US); **Jeremy Bataillou**, San Francisco, CA (US); **Abidur Rahman Chowdhury**, San Francisco, CA (US); **Clara Geneviève Marine Courtaigne**, Palo Alto, CA (US); **Markus Diebel**, San Francisco, CA (US); **Jonathan Gomez Garcia**, San Francisco, CA (US); **M. Evans Hankey**, San Francisco, CA (US); **Richard P. Howarth**, San Francisco, CA (US); **Jonathan P. Ive**, San Francisco, CA (US); **Julian Jaede**, San Francisco, CA (US); **Duncan Robert Kerr**, San Francisco, CA (US); **Peter Russell-Clarke**, San Francisco, CA (US); **Benjamin Andrew Shaffer**, San Jose, CA (US); **Joe Sung-Ho Tan**, San Francisco, CA (US); **Clement Tissandier**, San Francisco, CA (US); **Eugene Antony Whang**, San Francisco, CA (US)

(73) Assignee: **Apple Inc.**, Cupertino, CA (US)

(\*\*) Term: **15 Years**

(21) Appl. No.: **29/739,075**

(22) Filed: **Jun. 22, 2020**

(51) **LOC (13) Cl.** ..... **14-01**

(52) **U.S. Cl.**  
USPC ..... **D14/205**

(58) **Field of Classification Search**

USPC ..... D14/205, 188, 192, 249, 240; D29/112;  
2/209, 423, 174; 381/370, 371, 374, 375,  
(Continued)

(56) **References Cited**

**U.S. PATENT DOCUMENTS**

2,782,423 A \* 2/1957 Simon ..... A61F 11/14  
2/209  
3,051,961 A \* 9/1962 Clark ..... A61F 11/14  
2/209

(Continued)

**FOREIGN PATENT DOCUMENTS**

EM 002296970-0004 \* 8/2013  
EM 008205074-0001 \* 10/2020

(Continued)

*Primary Examiner* — Paula Allen Greene

(74) *Attorney, Agent, or Firm* — Sterne, Kessler,  
Goldstein & Fox P.L.L.C.

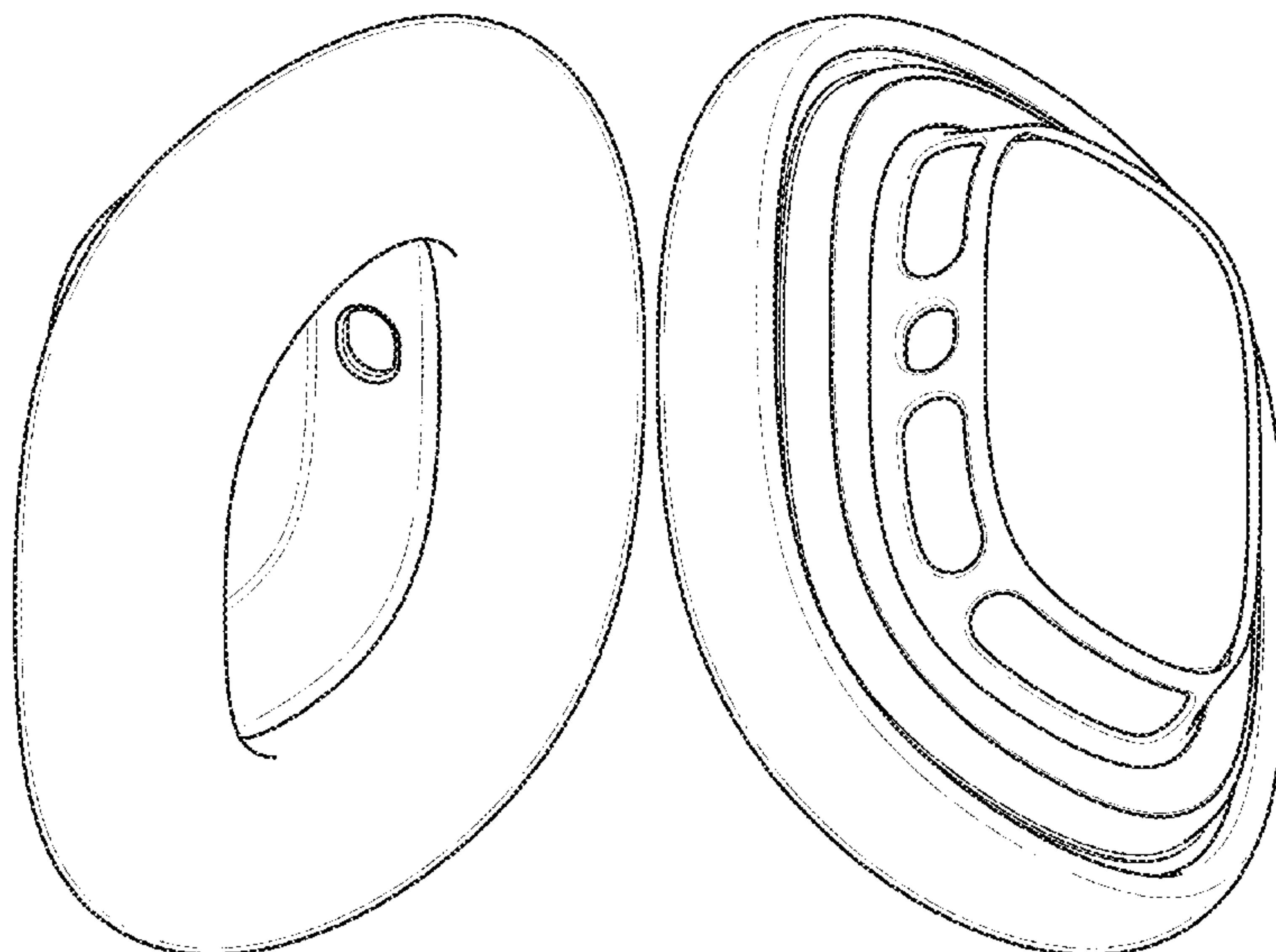
(57) **CLAIM**

The ornamental design for a component for a headphone, as shown and described.

**DESCRIPTION**

FIG. 1 is a top front perspective view of a component for a headphone showing the claimed design;  
FIG. 2 is a bottom rear perspective view thereof;  
FIG. 3 is a front view thereof;  
FIG. 4 is a rear view thereof;  
FIG. 5 is a left side view thereof;  
FIG. 6 is a right side view thereof;  
FIG. 7 is a top view thereof; and,  
FIG. 8 is a bottom view thereof.

**1 Claim, 6 Drawing Sheets**



(58) **Field of Classification Search**  
 USPC ..... 381/376, 378, 373, 151; 181/157;  
 379/430; 455/90.3, 575.1, 569.1  
 CPC ..... H04R 25/00; H04R 25/02; H04R 1/1066;  
 H04R 1/1016; H04R 5/033; H04R  
 5/0335; H04R 1/105; H04R 1/1091;  
 H04R 1/008; H04R 1/10  
 See application file for complete search history.

(56) **References Cited**

U.S. PATENT DOCUMENTS

3,073,410 A \* 1/1963 Gongoll ..... H04R 1/1008  
 2/209  
 3,220,505 A \* 11/1965 Hargrave ..... H04M 1/05  
 181/129  
 3,454,964 A \* 7/1969 Brinkhoff ..... A61F 11/14  
 2/209  
 3,506,981 A \* 4/1970 Stewart ..... A61F 11/14  
 2/209  
 3,593,341 A \* 7/1971 Aileo ..... A42B 3/166  
 2/209  
 3,794,779 A \* 2/1974 Greuzerd ..... H04R 1/1075  
 381/5  
 4,065,645 A \* 12/1977 Warner ..... H04R 5/0335  
 381/379  
 4,439,645 A \* 3/1984 Scalzo ..... H04M 1/19  
 381/372  
 D301,145 S \* 5/1989 Besasie ..... D14/205  
 D307,275 S \* 4/1990 Pollard ..... 379/452  
 4,944,361 A \* 7/1990 Lindgren ..... A42B 3/166  
 181/129  
 5,018,599 A \* 5/1991 Dohi ..... H04R 1/1008  
 181/129  
 5,068,923 A \* 12/1991 Sjoqvist ..... A61F 11/14  
 2/209  
 D328,461 S \* 8/1992 Daido ..... D14/205  
 5,185,807 A \* 2/1993 Bergin ..... H04R 1/1066  
 181/128  
 D353,818 S \* 12/1994 Nakamura ..... D14/205  
 5,406,037 A \* 4/1995 Nageno ..... H04R 5/0335  
 181/129  
 5,469,505 A \* 11/1995 Gattey ..... H04M 1/05  
 379/430  
 6,353,938 B1 \* 3/2002 Young ..... A61F 11/14  
 181/129  
 6,449,806 B1 \* 9/2002 Engelhard ..... H04M 1/05  
 2/209  
 D476,639 S \* 7/2003 Bergeron ..... D14/205  
 7,172,052 B2 \* 2/2007 Lenhard-Backhaus .....  
 H04R 1/1066  
 181/129  
 D538,261 S \* 3/2007 Taylor ..... D14/205

7,292,704 B2 \* 11/2007 Lederer ..... G01R 33/283  
 381/380  
 D563,382 S \* 3/2008 Wikel ..... D14/205  
 7,388,960 B2 \* 6/2008 Kuo ..... H04R 1/1041  
 379/430  
 7,766,120 B2 \* 8/2010 Hansson ..... A61F 11/14  
 181/129  
 D634,732 S \* 3/2011 Kondo ..... D14/205  
 D639,775 S \* 6/2011 Horibe ..... D14/205  
 D642,554 S \* 8/2011 Schaal ..... D14/205  
 D657,776 S \* 4/2012 Lee ..... D14/205  
 D673,519 S \* 1/2013 Tan ..... D14/205  
 D673,520 S \* 1/2013 Tan ..... D14/205  
 8,363,877 B2 \* 1/2013 Morisawa ..... H04R 5/0335  
 381/383  
 D684,559 S \* 6/2013 Groset ..... D14/205  
 D705,750 S \* 5/2014 Wu et al.  
 8,755,555 B2 \* 6/2014 Dougherty ..... H04R 1/1066  
 381/378  
 8,767,996 B1 \* 7/2014 Lin ..... G06F 3/165  
 381/380  
 D728,512 S \* 5/2015 Nakagawa ..... D14/205  
 D739,842 S \* 9/2015 Birger ..... D14/205  
 9,167,347 B1 \* 10/2015 Silberberg ..... H04R 1/1041  
 D747,290 S \* 1/2016 Lee et al.  
 D842,270 S \* 3/2019 Chen ..... D14/205  
 D893,446 S \* 8/2020 Rodriguez et al.  
 D900,783 S \* 11/2020 Levine ..... D14/205  
 D916,680 S \* 4/2021 Akana ..... D14/205  
 D926,725 S \* 8/2021 Akana ..... D14/205  
 D937,806 S \* 12/2021 Akana ..... D14/205  
 2002/0085733 A1 \* 7/2002 Cottrell ..... H04R 5/033  
 381/371  
 2004/0247143 A1 \* 12/2004 Lantrua ..... H04R 1/2834  
 381/151  
 2008/0063222 A1 \* 3/2008 Zheng ..... H04R 19/016  
 381/151  
 2008/0247588 A1 \* 10/2008 Yang ..... H04R 1/1075  
 381/371  
 2016/0080853 A1 \* 3/2016 Chen ..... H04R 1/1083  
 381/74

FOREIGN PATENT DOCUMENTS

IN 334368-001-0001 \* 10/2020  
 JP D1479204 9/2013  
 JP D1691873 \* 7/2021  
 KR 301121827.0000 \* 7/2021  
 KR 301122646.0000 \* 7/2021  
 TW 214800-0001 \* 4/2020  
 TW 214803-0001 \* 8/2020  
 TW 214804-0001 \* 10/2020  
 TW 214805-0001 \* 10/2020  
 TW 214806-0001 \* 10/2020

\* cited by examiner

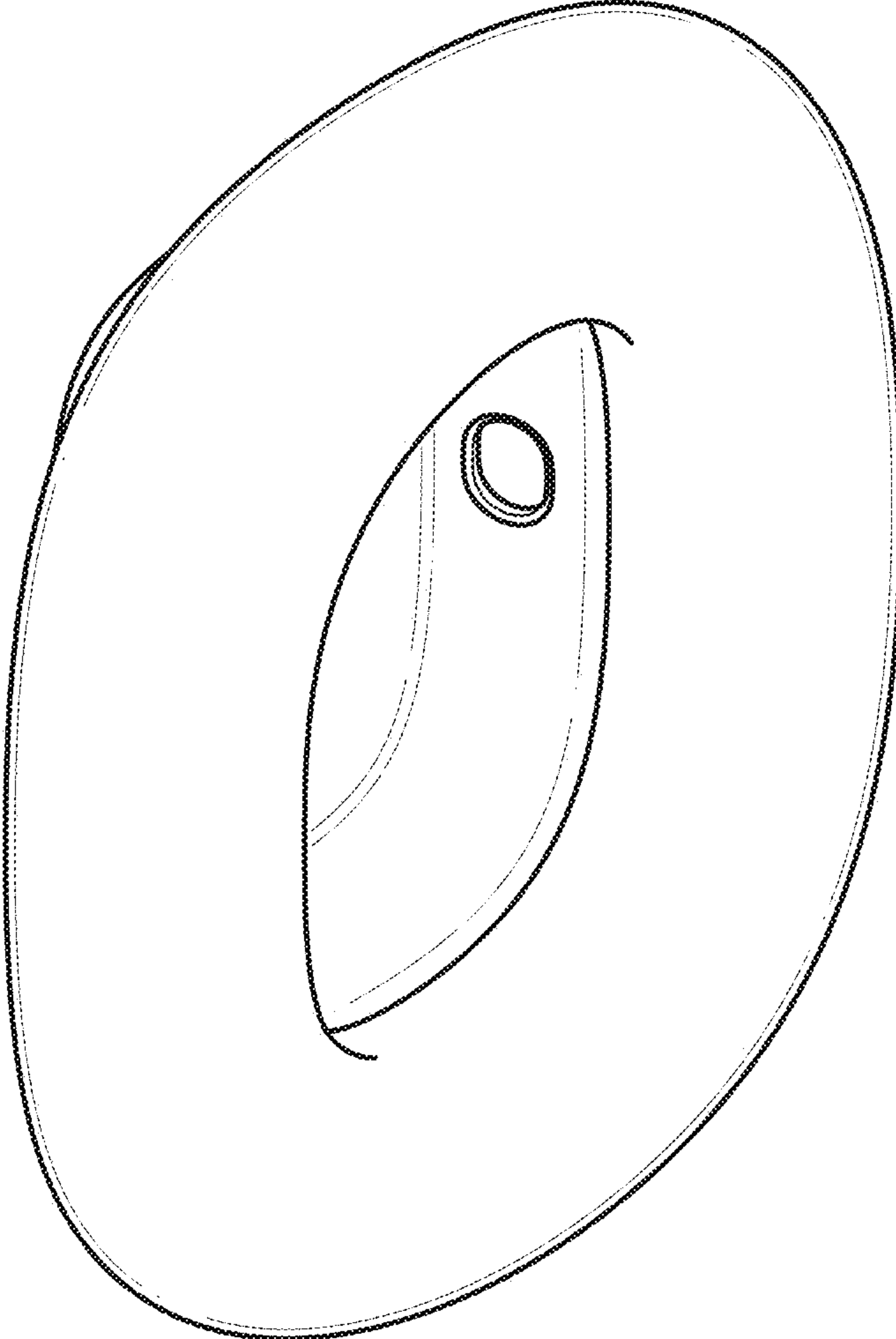


FIG. 1



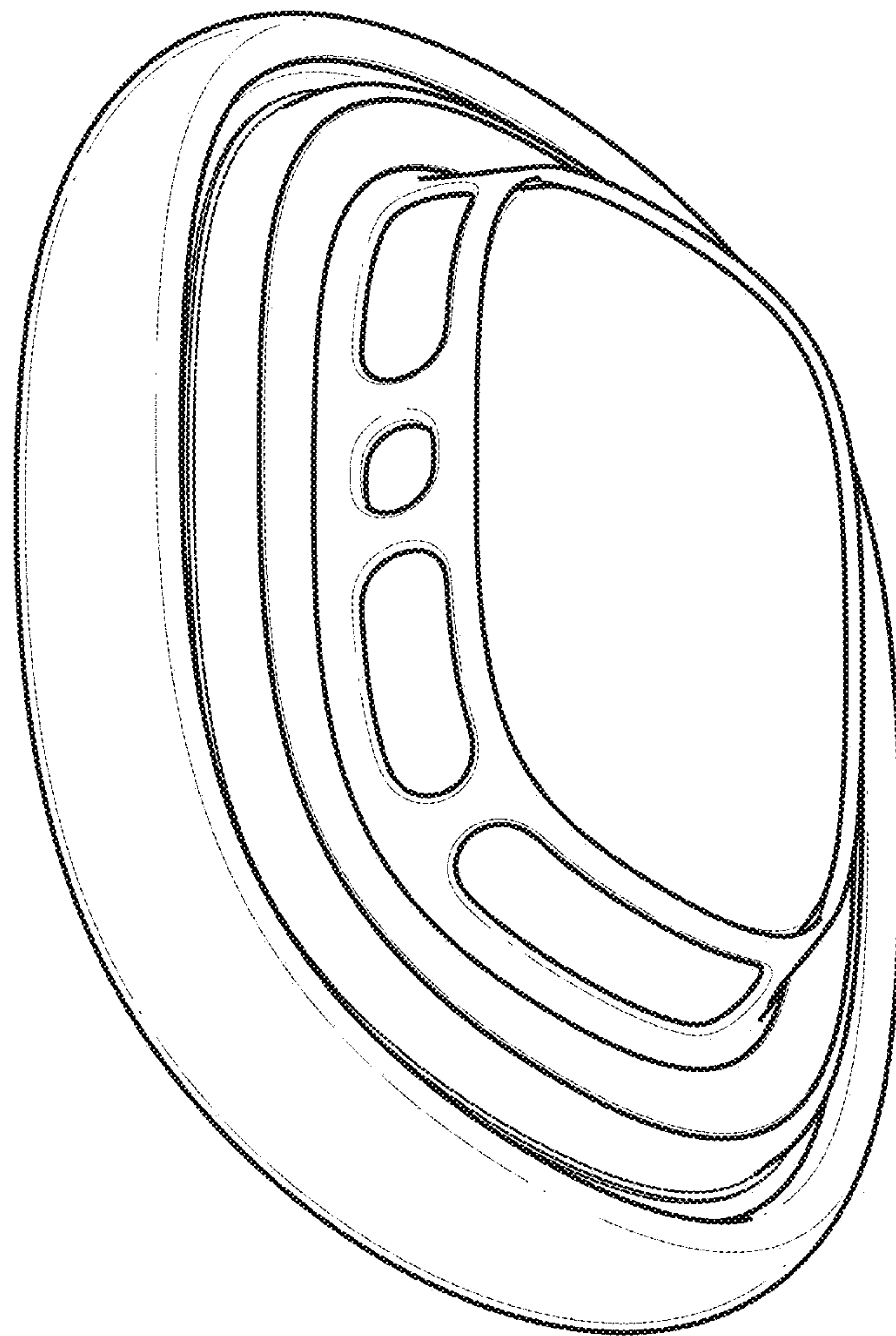
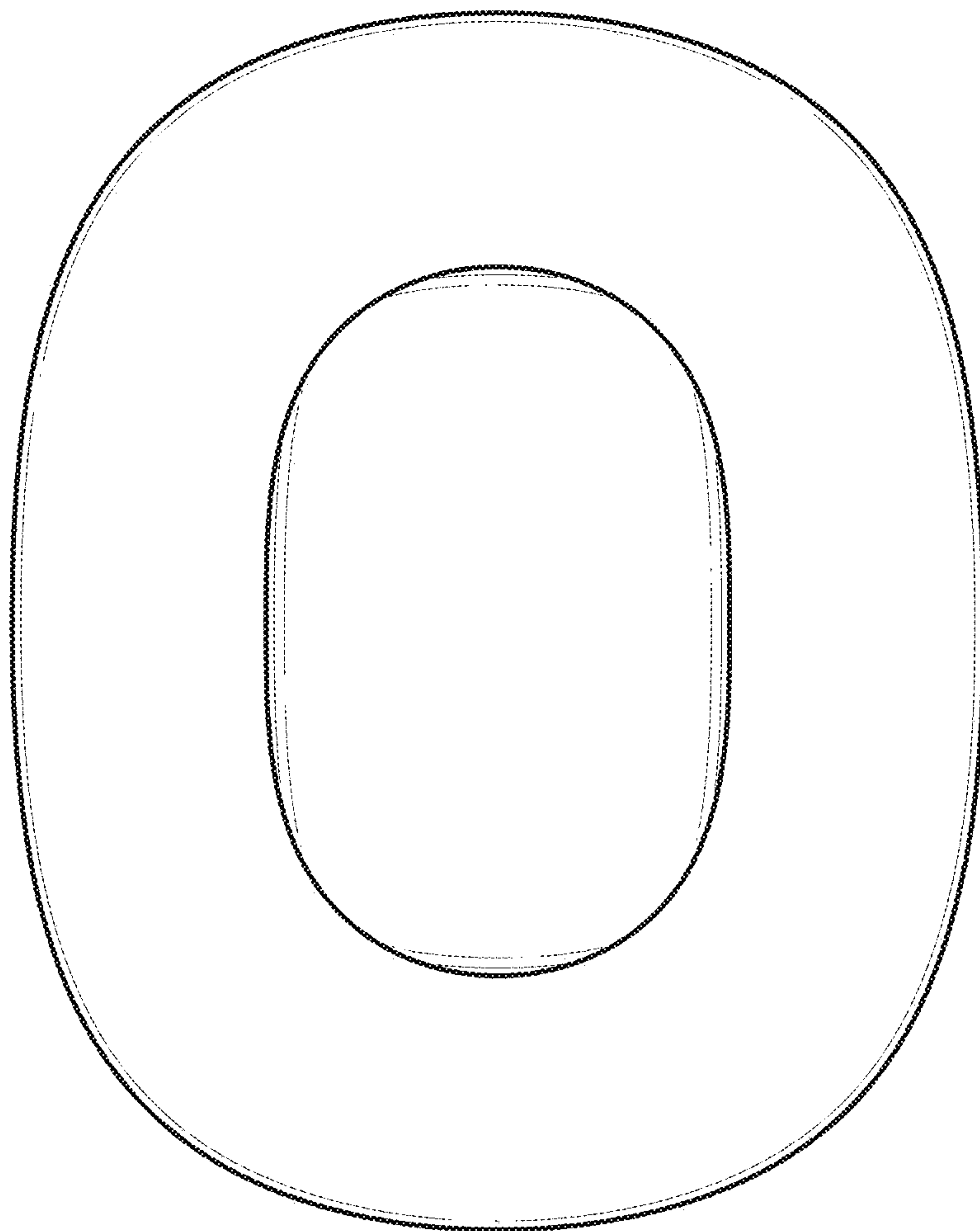


FIG. 2



*FIG. 3*

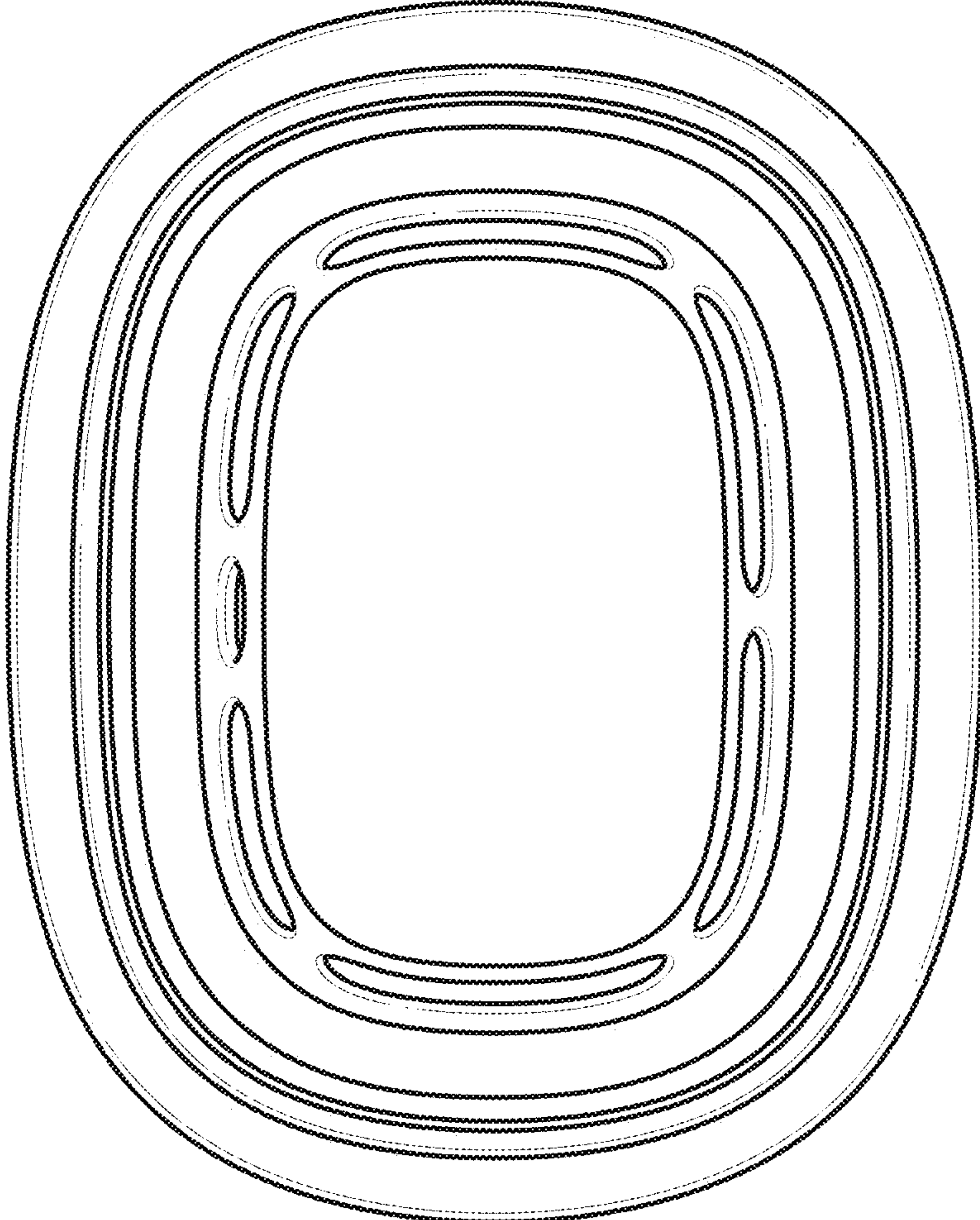


FIG. 4

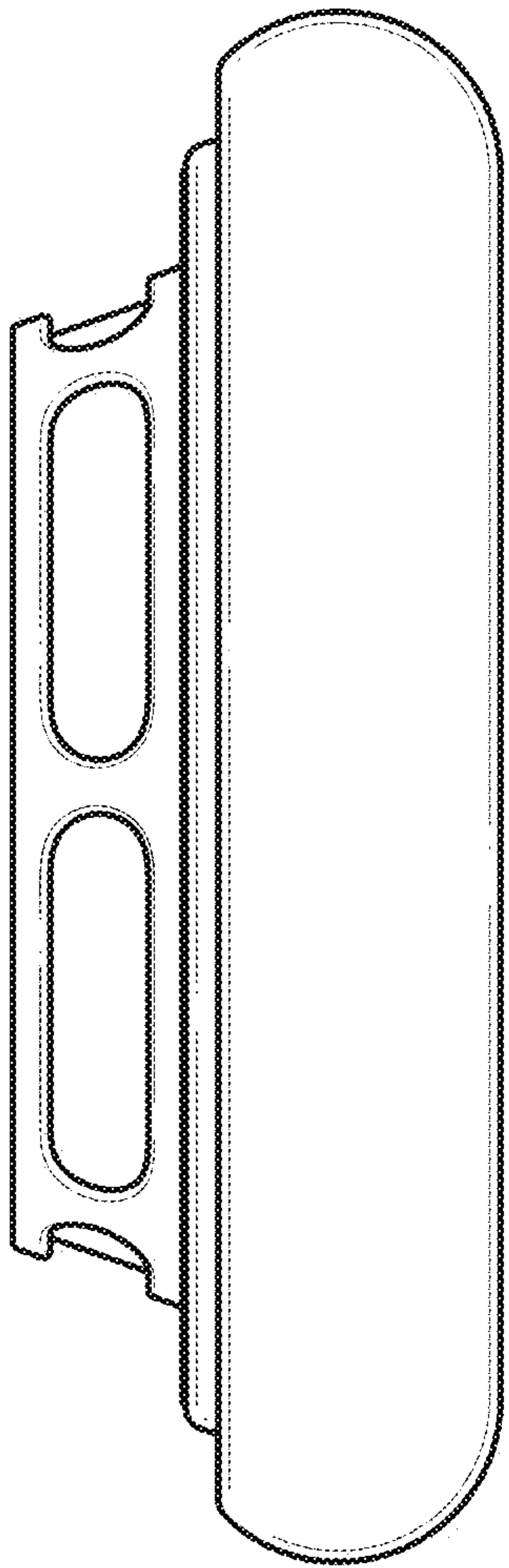


FIG. 5

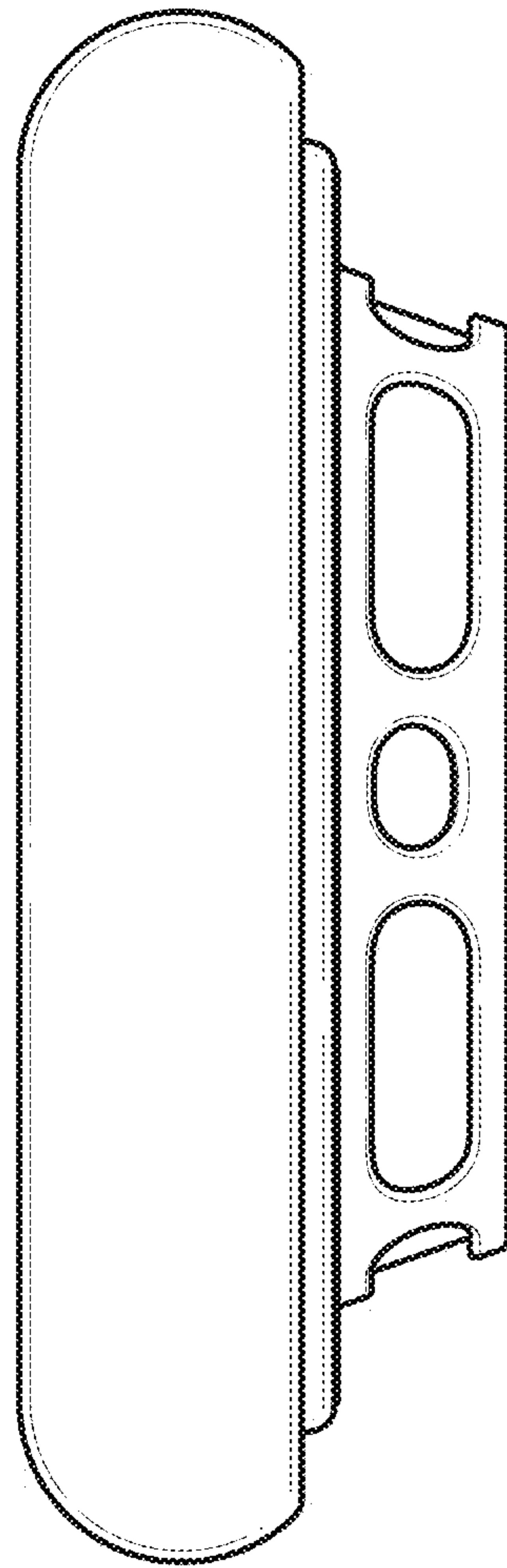


FIG. 6

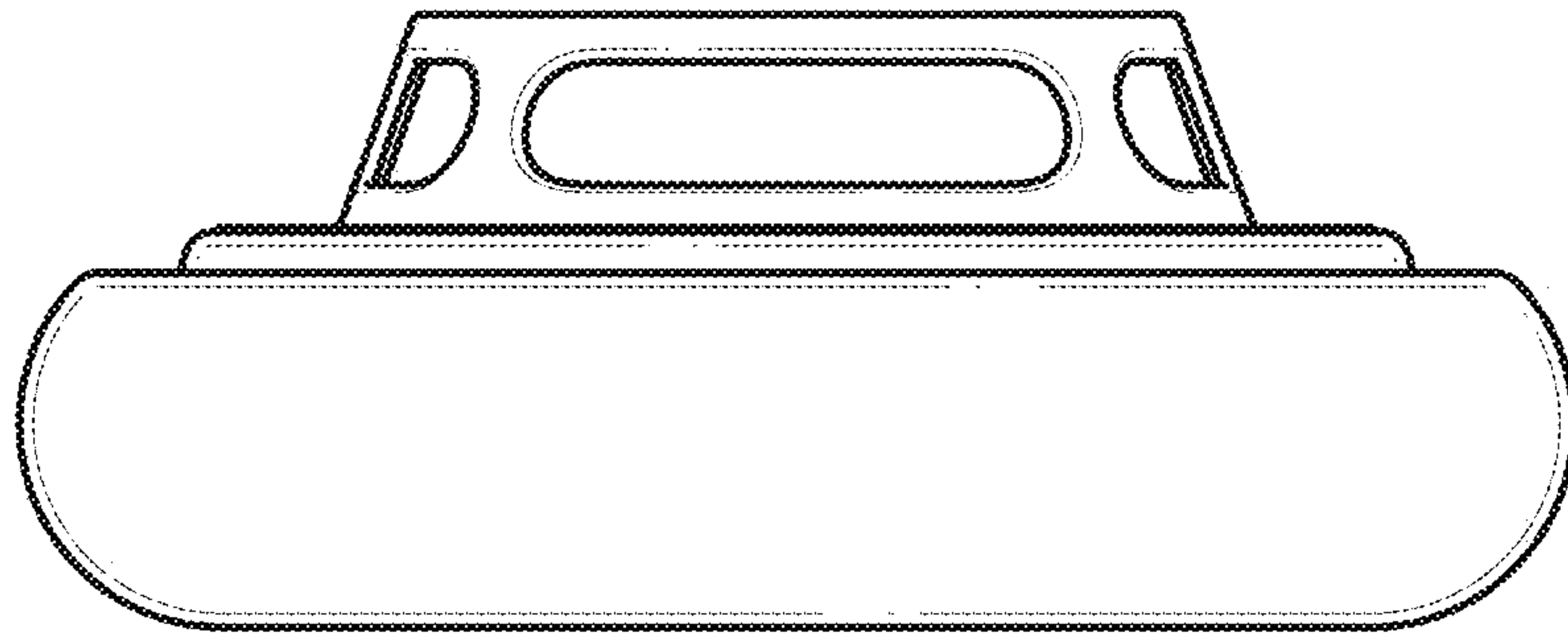


FIG. 7

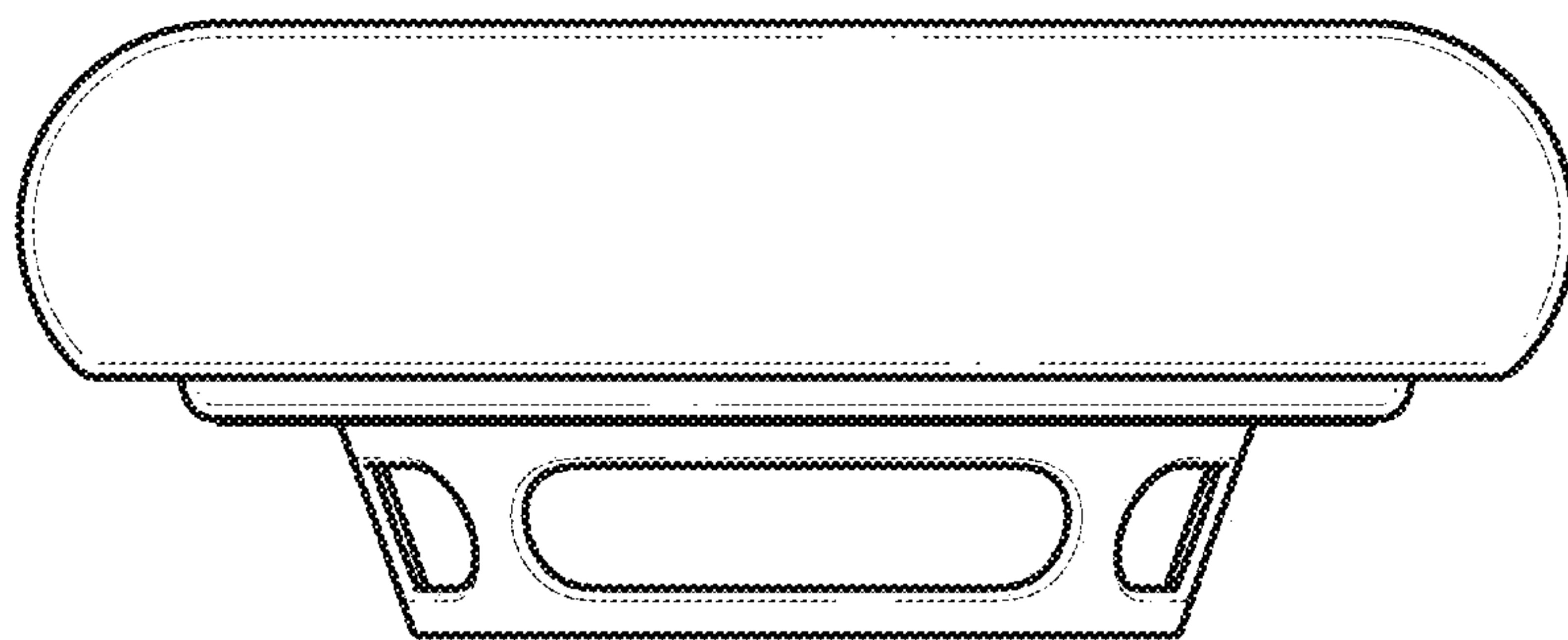


FIG. 8