



US00D952597S

(12) **United States Design Patent**
Kim et al.

(10) **Patent No.:** **US D952,597 S**

(45) **Date of Patent:** **** May 24, 2022**

(54) **AV BOX FOR TELEVISION RECEIVER**

D680,097 S * 4/2013 Davies D14/215
D800,697 S * 10/2017 Fischer D14/214
D918,169 S * 5/2021 Leeds D14/204

(71) Applicant: **LG ELECTRONICS INC.**, Seoul
(KR)

* cited by examiner

(72) Inventors: **Hana Kim**, Seoul (KR); **Seala Park**,
Seoul (KR); **Yeonjin Kim**, Seoul (KR)

Primary Examiner — Khawaja Anwar
Assistant Examiner — Megan Tiana Rakos

(73) Assignee: **LG ELECTRONICS INC.**, Seoul
(KR)

(74) *Attorney, Agent, or Firm* — Birch, Stewart, Kolasch
& Birch, LLP

(**) Term: **15 Years**

(57) **CLAIM**

(21) Appl. No.: **29/741,191**

We claim the ornamental design for an AV box for television receiver, as shown and described.

(22) Filed: **Jul. 10, 2020**

(30) **Foreign Application Priority Data**

DESCRIPTION

Jan. 21, 2020 (KR) 30-2020-0002941

(51) **LOC (13) Cl.** **14-01**

(52) **U.S. Cl.**
USPC **D14/204**

(58) **Field of Classification Search**
USPC D14/172, 204, 211, 265, 299
CPC H04R 1/26; H04R 1/025
See application file for complete search history.

FIG. 1 is a perspective view of an AV box for television receiver showing the new design;
FIG. 2 is a front elevation view thereof;
FIG. 3 is a rear elevation view thereof;
FIG. 4 is a left-side elevation view thereof;
FIG. 5 is a right-side elevation view thereof;
FIG. 6 is a top plan view thereof;
FIG. 7 is a bottom plan view thereof; and,
FIG. 8 is another perspective view showing a state that the screen is lifted up and a cover of the speaker is separated from the main body.
The parts shown by means of broken lines in the drawing figures are not part of the claimed design.

(56) **References Cited**

U.S. PATENT DOCUMENTS

D278,811 S * 5/1985 White D14/211
5,937,074 A * 8/1999 Carver H04R 1/227
381/386

1 Claim, 8 Drawing Sheets

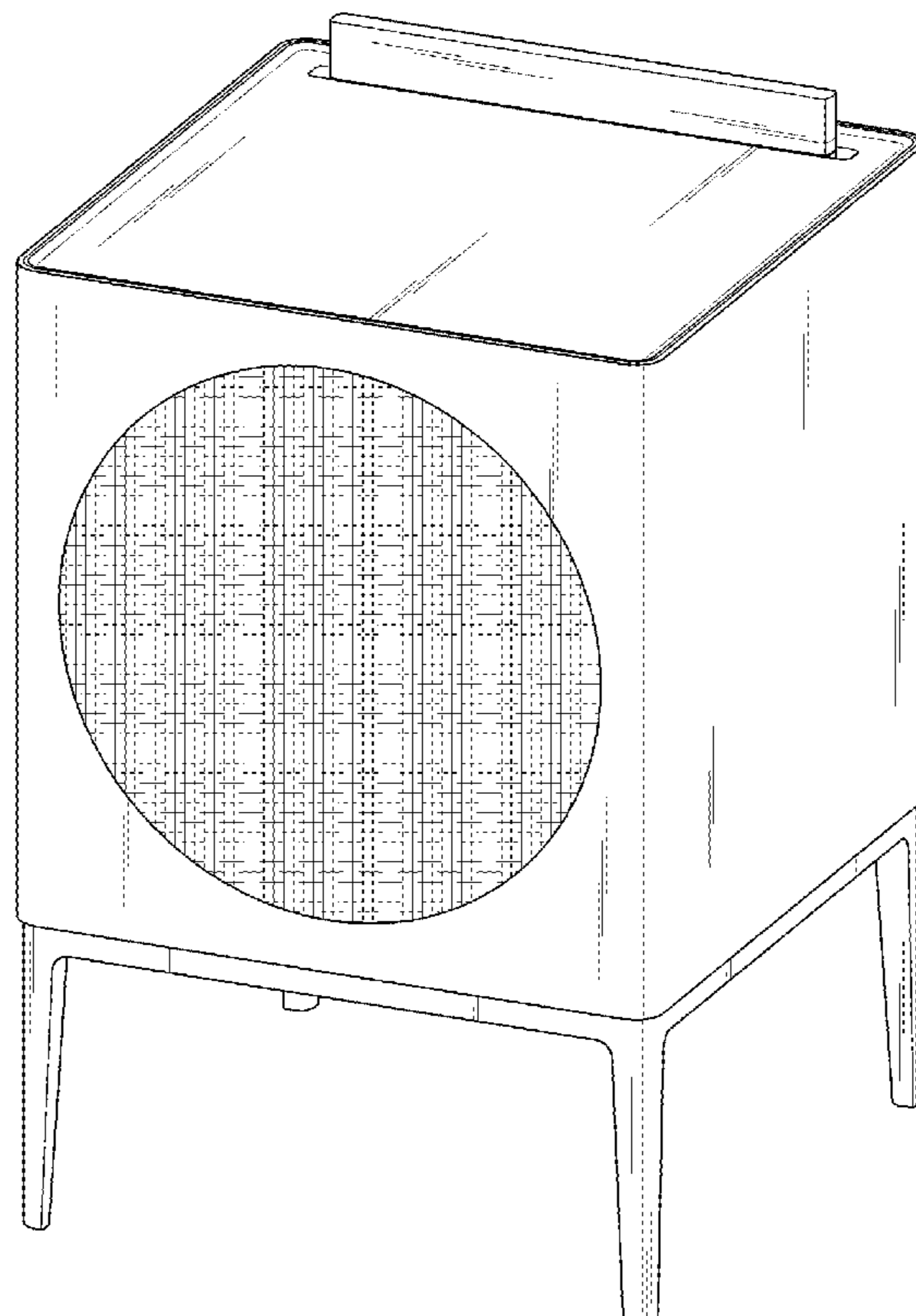


FIG. 1

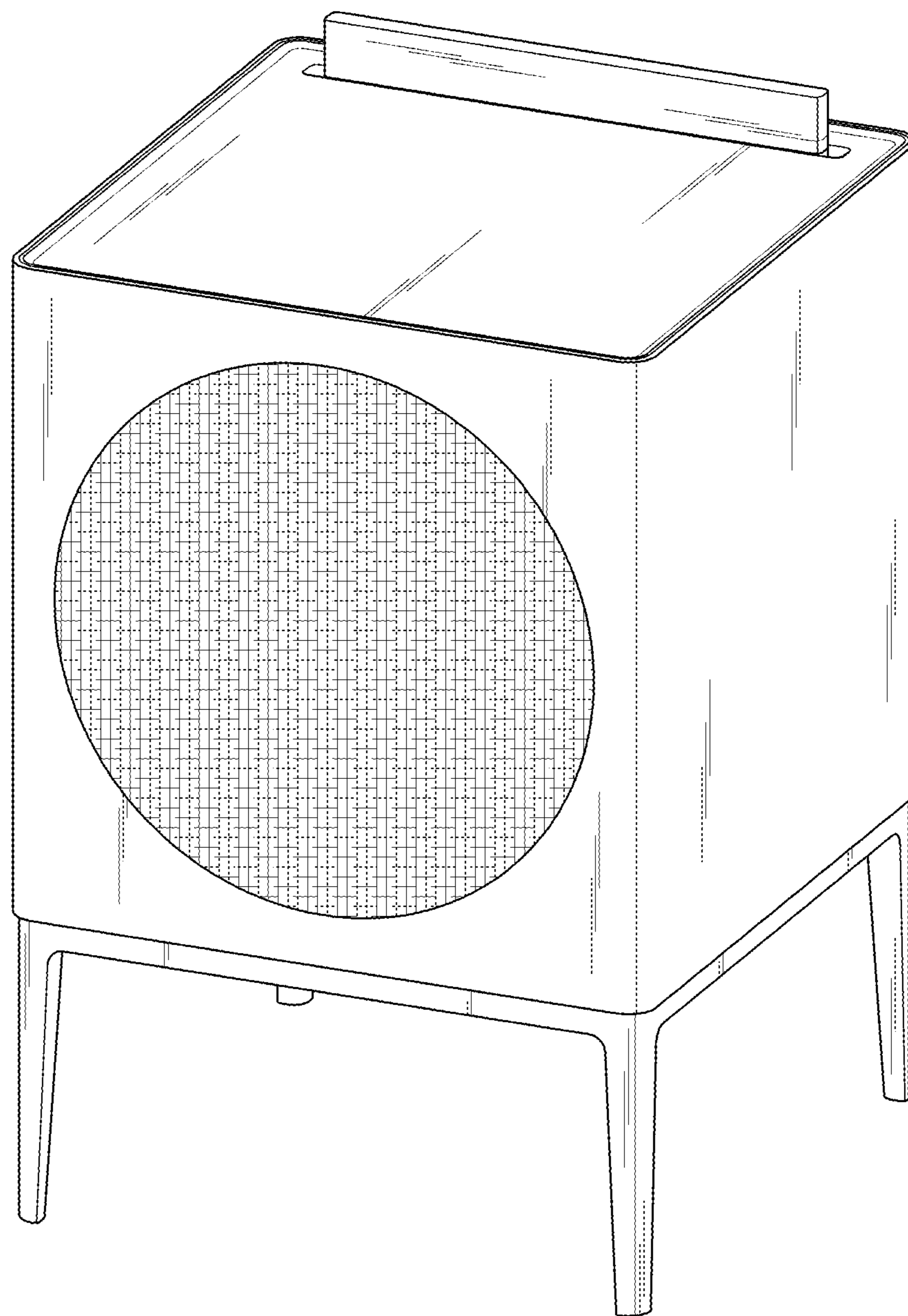


FIG. 2

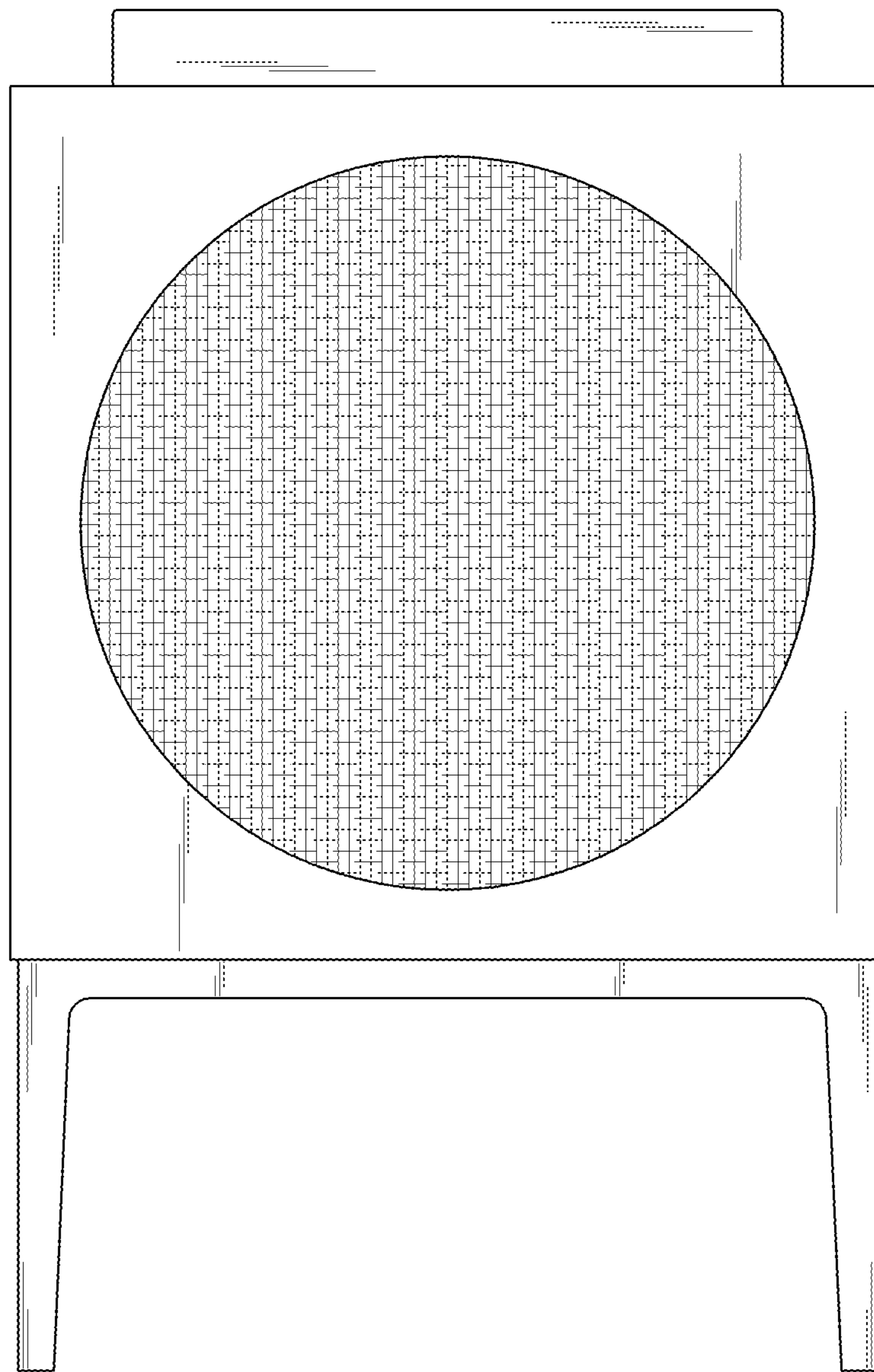


FIG. 3

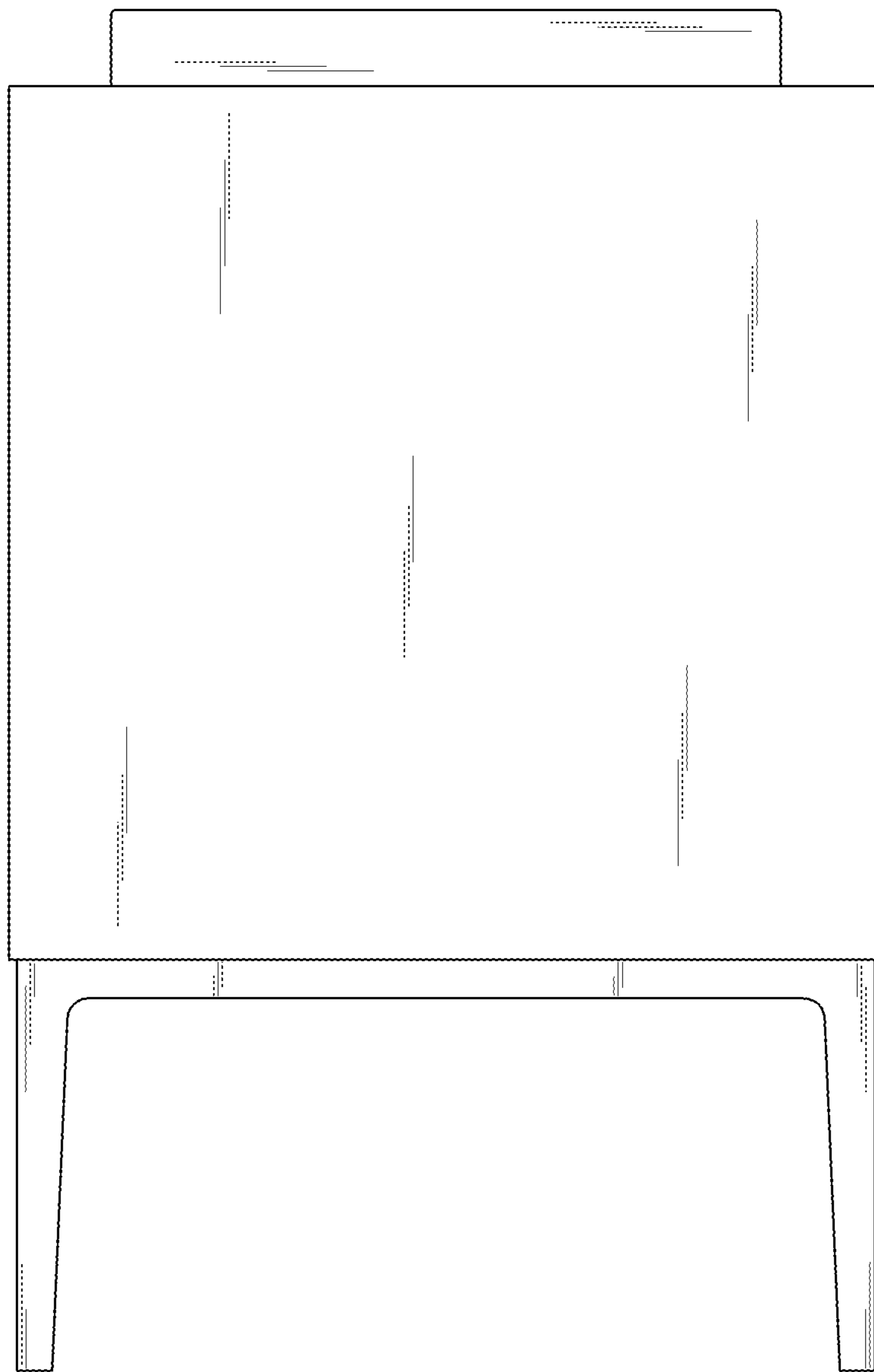


FIG. 4

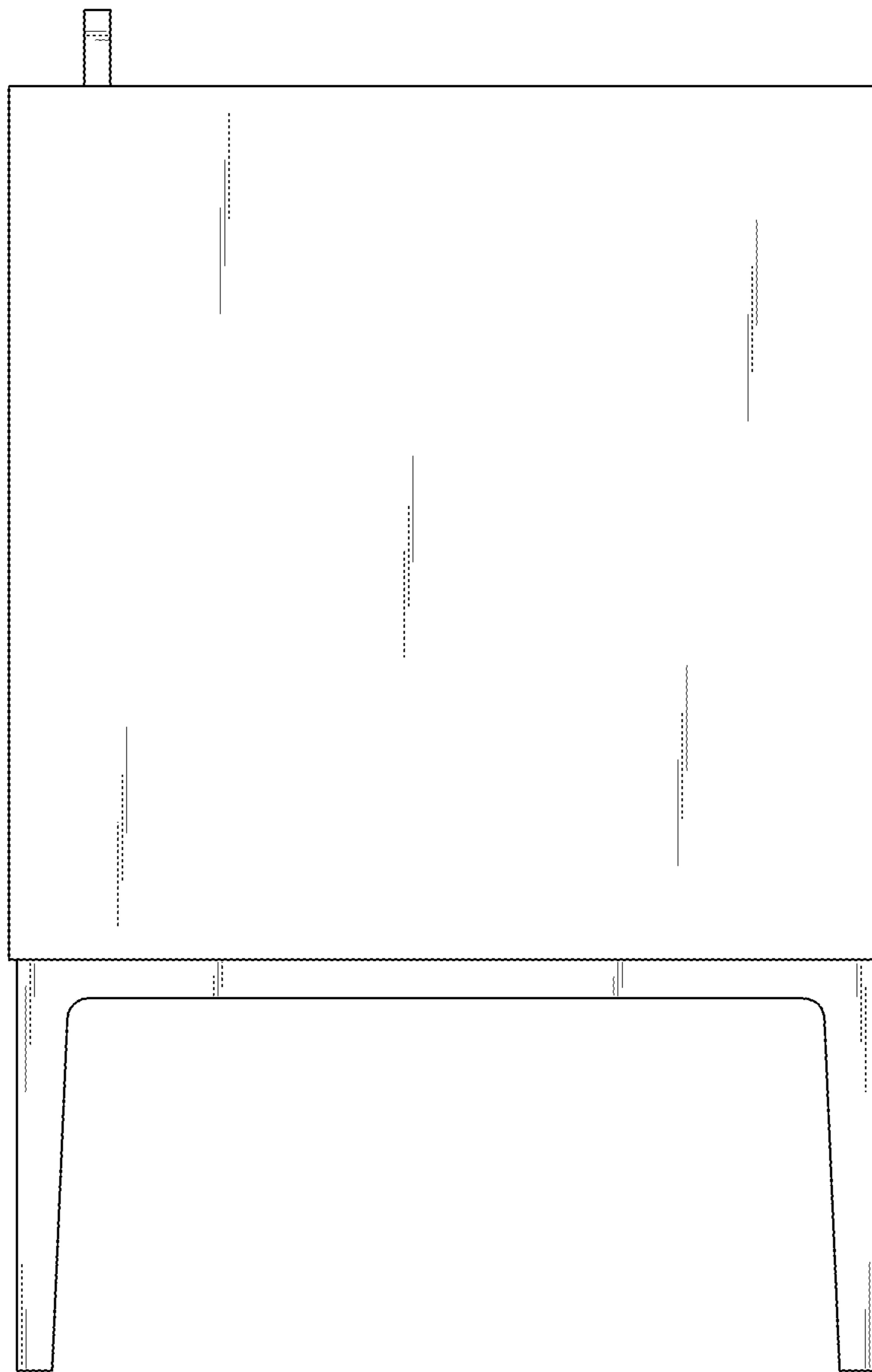


FIG. 5

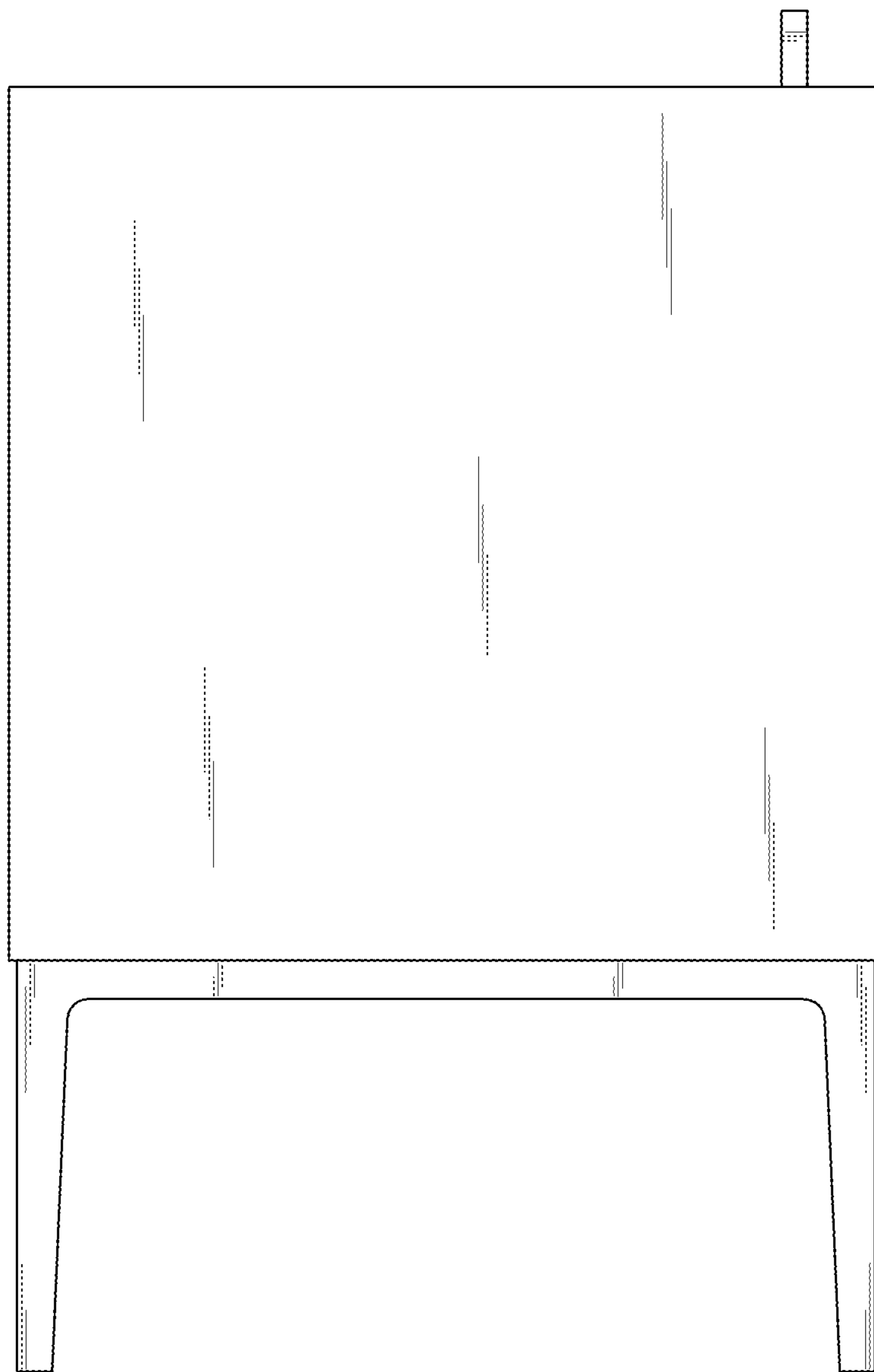


FIG. 6

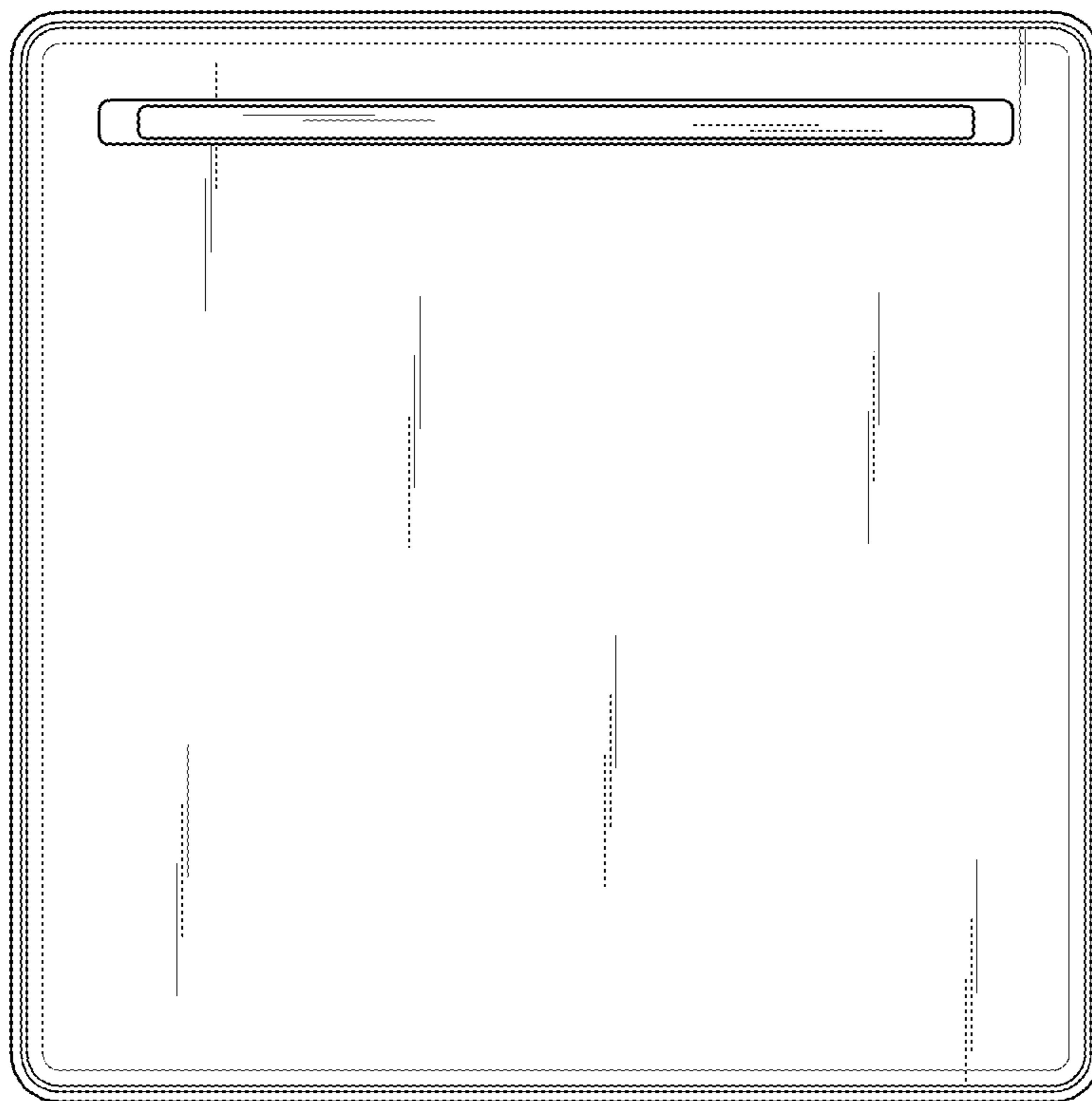


FIG. 7

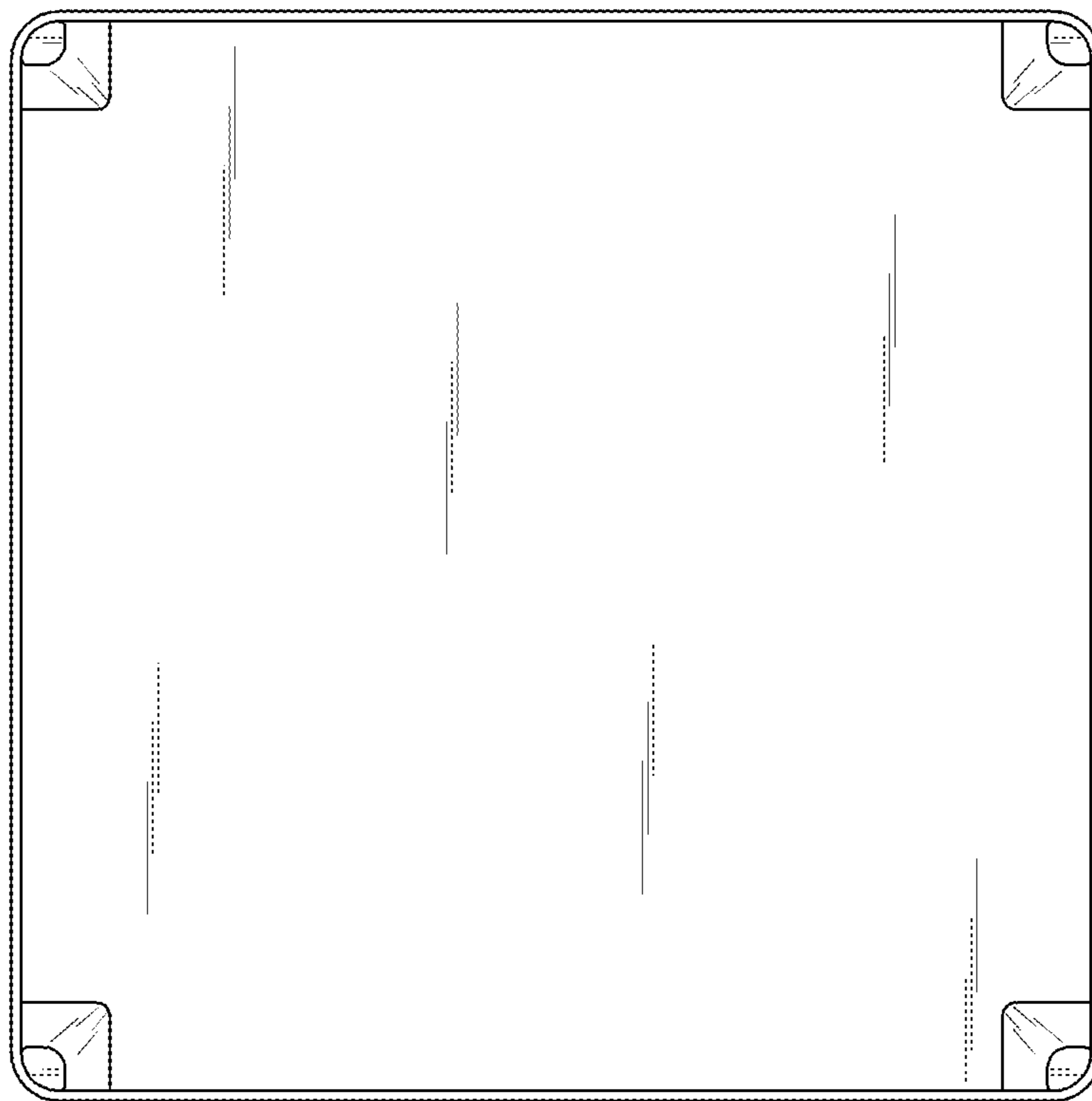


FIG. 8

