



US00D952594S

(12) **United States Design Patent**
Guo et al.

(10) **Patent No.:** **US D952,594 S**

(45) **Date of Patent:** **** May 24, 2022**

(54) **WIRELESS SPEAKER HAT**

FOREIGN PATENT DOCUMENTS

(71) Applicant: **SHENZHEN CALION POWER CO., LTD.**, Shenzhen (CN)

CN 306820371 * 9/2021
EM 008303499-0001 * 12/2020

(Continued)

(72) Inventors: **Guanghuo Guo**, Shenzhen (CN);
Tingting Li, Shenzhen (CN)

OTHER PUBLICATIONS

(73) Assignee: **SHENZHEN CALION POWER CO., LTD.**, Shenzhen (CN)

Oh Look, Atari Is Going To Make Hats With Integrated Bluetooth Speakers, Jul. 25, 2017, [retrieved Nov. 18, 2021], Retrieved from Internet, URL: <<https://mikesounds.com/atari-speakerhat-bluetooth-speaker-hat/>> (Year: 2017).*

(**) Term: **15 Years**

(Continued)

(21) Appl. No.: **29/775,943**

(22) Filed: **Mar. 26, 2021**

Primary Examiner — Barbara Fox
Assistant Examiner — Aram Kwon

(51) **LOC (13) Cl.** **14-01**

(52) **U.S. Cl.**

USPC **D14/172**

(58) **Field of Classification Search**

USPC D14/155–159, 160–173, 187–188,
D14/203.1–203.8, 204–216, 217–222,
D14/225–229, 496, 189–198, 257–258;
D2/501, 865, 866

CPC H04R 1/02; H04R 1/021; H04R 1/025;
H04R 1/026; H04R 1/028; H04R 1/06;
H04R 1/105; H04R 1/323; H04R 1/403;
H04R 1/2803; H04R 1/2834

See application file for complete search history.

(57) **CLAIM**

The ornamental design for a wireless speaker hat, as shown and described.

DESCRIPTION

FIG. 1 is a perspective view of a wireless speaker hat showing our new design; FIG. 2 is another perspective view thereof; FIG. 3 is a front elevational view thereof; FIG. 4 is a rear elevational view thereof; FIG. 5 is a left side elevational view thereof; FIG. 6 is a right side elevational view thereof; FIG. 7 is a top plan view thereof; FIG. 8 is a bottom plan view thereof; and, FIG. 9 is an enlarged view of portion 9 shown in FIG. 2. The evenly-dashed broken lines in the drawings depict portions of the wireless speaker hat that form no part of the claimed design. The dash-dot lines enclosing portions of the claimed design that are illustrated in enlargements form no part of the claimed design.

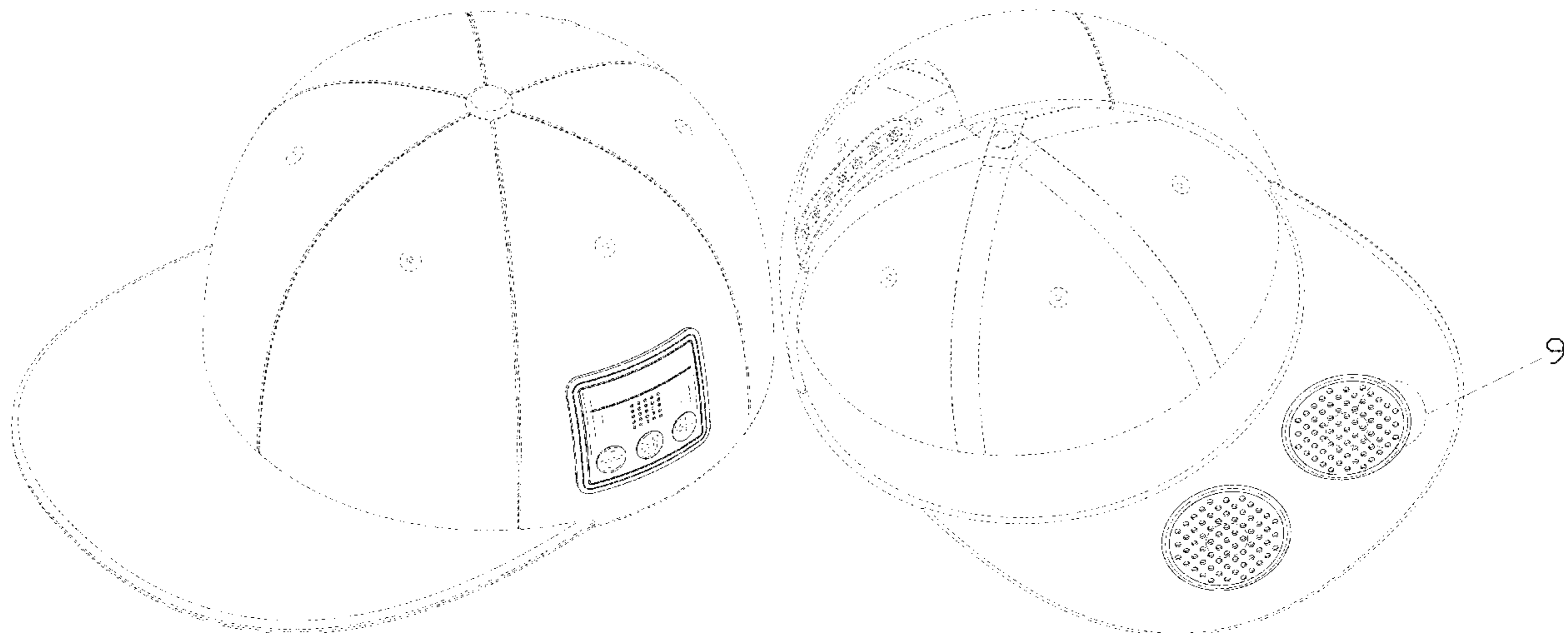
(56) **References Cited**

U.S. PATENT DOCUMENTS

D327,607 S * 7/1992 Leonovich, Jr. D14/168
D424,512 S * 5/2000 Ho D13/103
D442,355 S * 5/2001 Rose D2/866
D612,132 S * 3/2010 Seade D2/866
D730,942 S * 6/2015 Wong D14/496
D765,357 S * 9/2016 Zenoff D2/882
D847,471 S * 5/2019 Gonzalez D2/882
D870,062 S * 12/2019 Peng D14/192
D911,677 S * 3/2021 Israilov D2/882
D913,984 S * 3/2021 Li D14/192

(Continued)

1 Claim, 9 Drawing Sheets



(56)

References Cited

U.S. PATENT DOCUMENTS

D917,840	S	*	5/2021	Guo	D2/878
D919,243	S	*	5/2021	Guo	D2/878
D920,635	S	*	6/2021	Douramakos	D2/866
D927,834	S	*	8/2021	Bazzano	D2/866
D929,704	S	*	9/2021	Diaz	D2/866
D932,459	S	*	10/2021	Liu	D14/192
D933,336	S	*	10/2021	Cohen	D2/866
2004/0180691	A1		9/2004	Cascone		
2013/0272546	A1*		10/2013	Besgen, Sr.	H04R 1/025 381/120
2014/0301595	A1*		10/2014	Egleston	H04R 1/10 381/388
2014/0369544	A1*		12/2014	Flynn	H04R 1/105 381/376
2015/0296285	A1*		10/2015	Proos	H04R 1/105 381/333
2017/0251741	A1		9/2017	Wang		
2018/0109858	A1*		4/2018	Zhang	C09K 5/063

FOREIGN PATENT DOCUMENTS

EM	008559652-0001	*	6/2021
EM	008559652-0002	*	6/2021
EM	008559652-0003	*	6/2021

OTHER PUBLICATIONS

Hat with Bluetooth Speaker, date first available: Jan. 20, 2021, [retrieved Nov. 18, 2021], Retrieved from Internet, URL: <<https://www.amazon.com/Bluetooth-Adjustable-Wireless-Speakerphone-Baseball/dp/B08TFY694L?th=1>> (Year: 2021).*

* cited by examiner

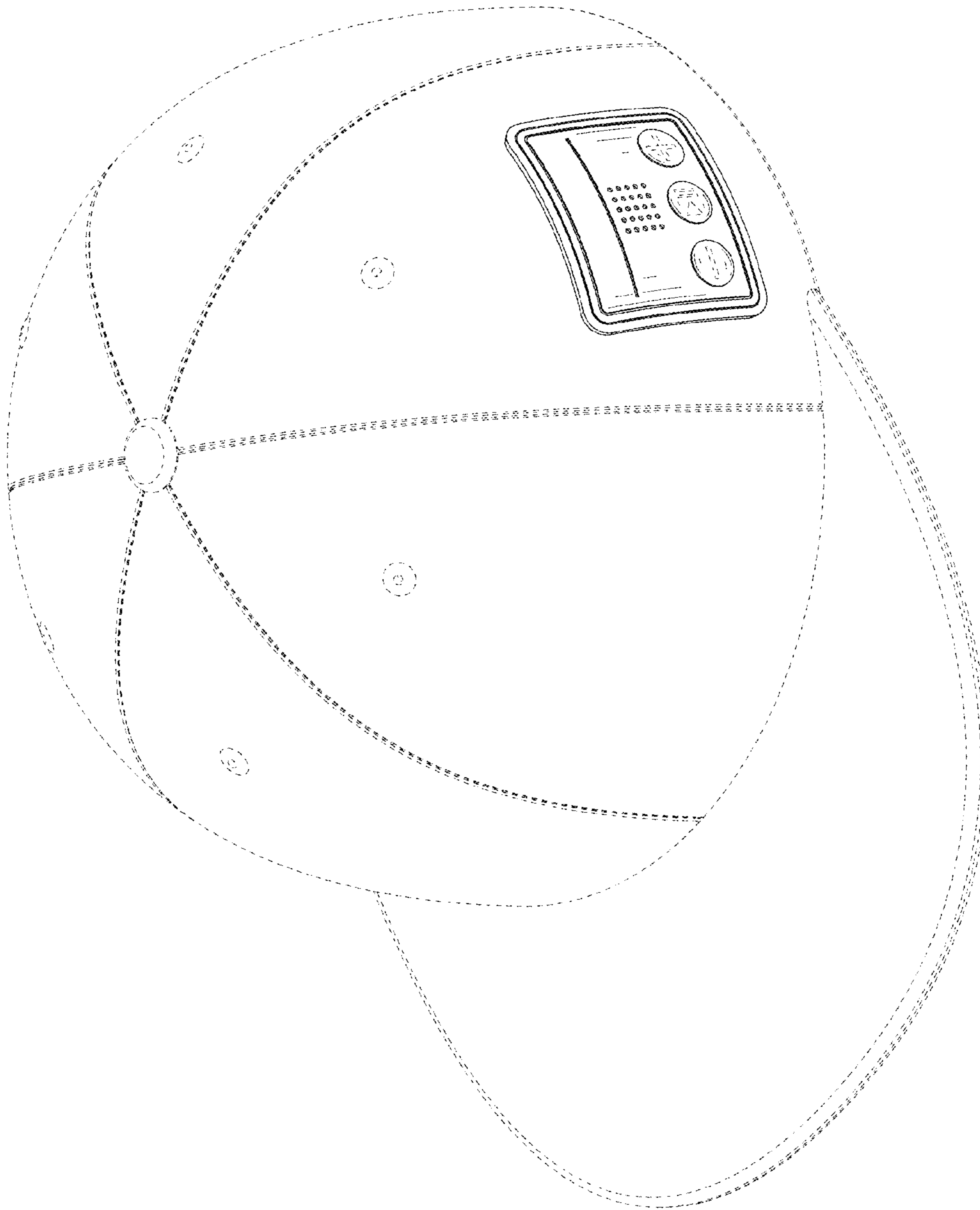


FIG. 1

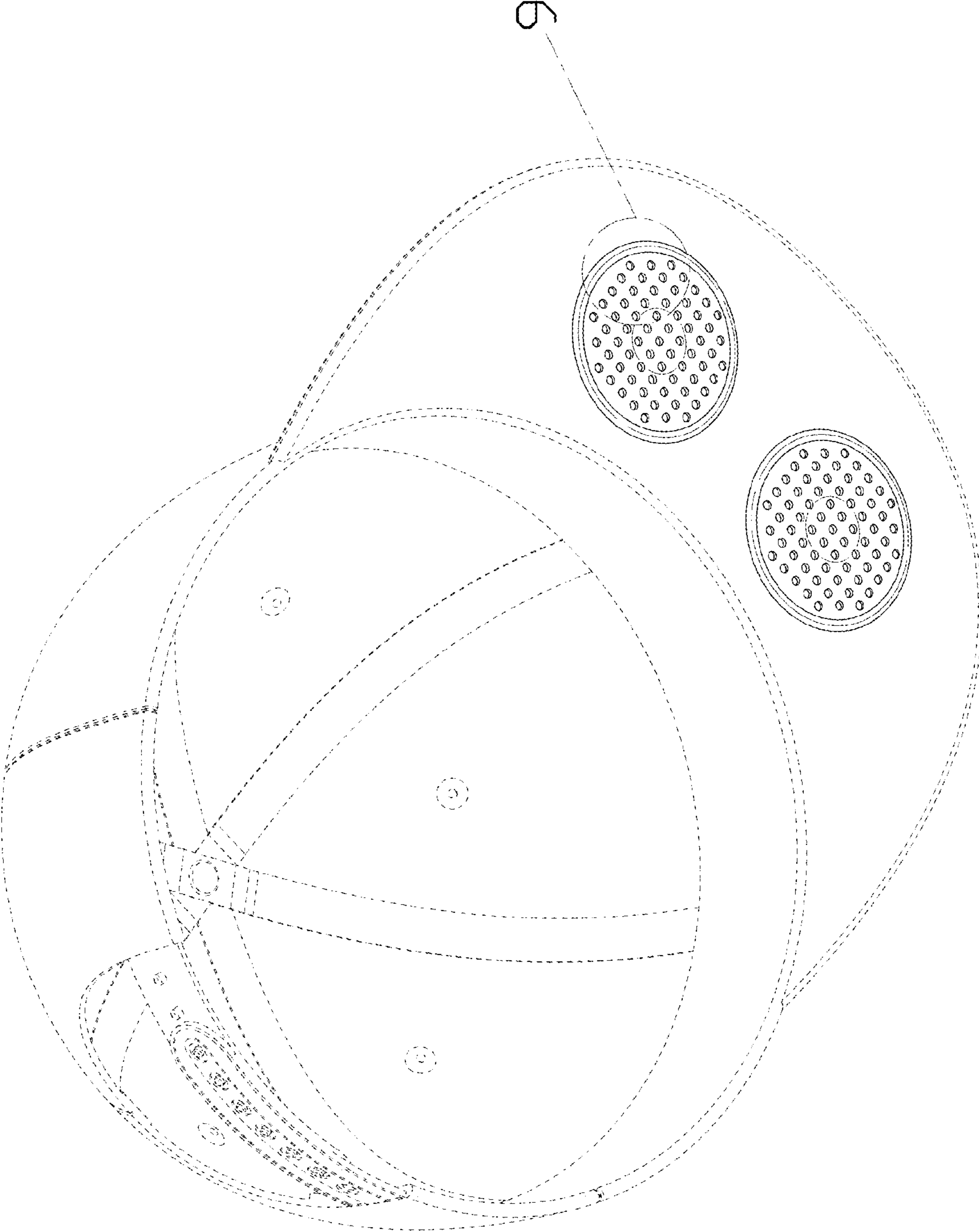


FIG. 2

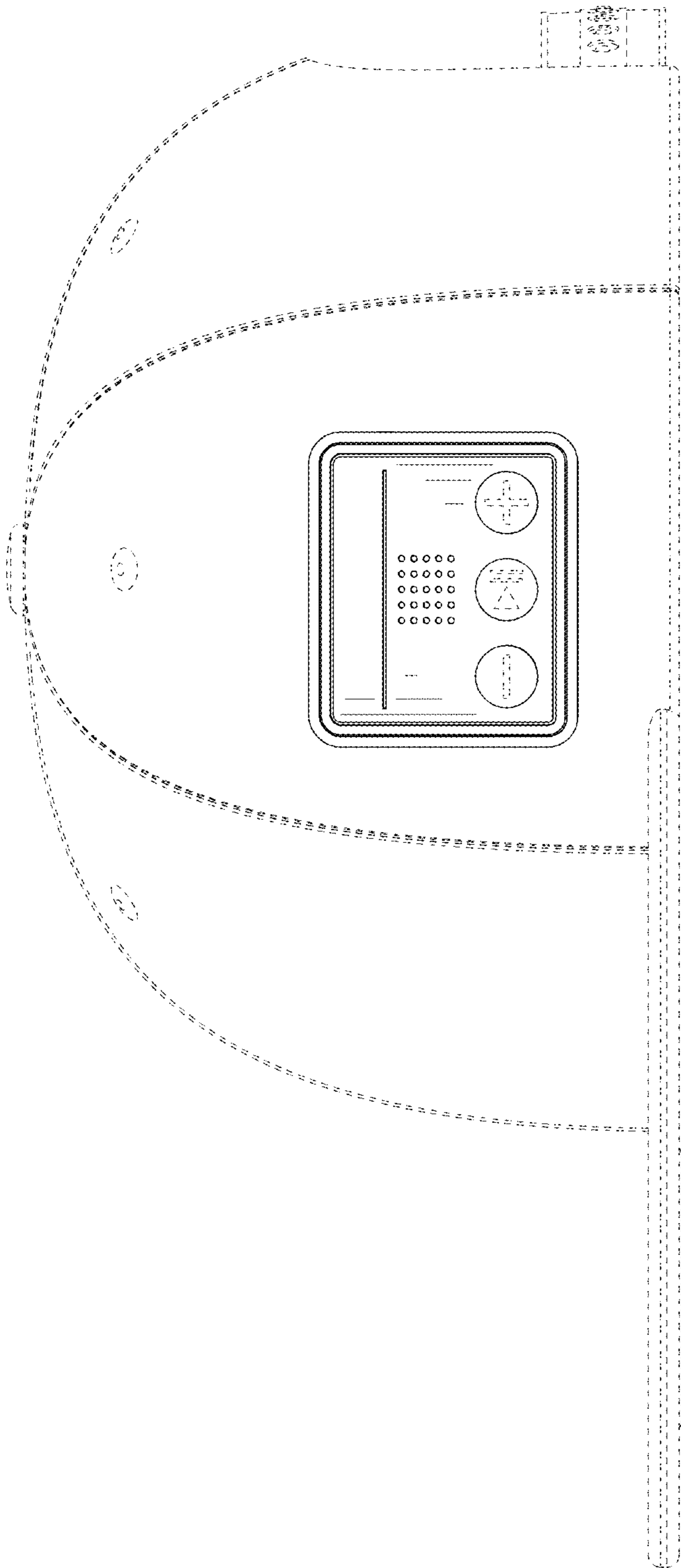


FIG. 3

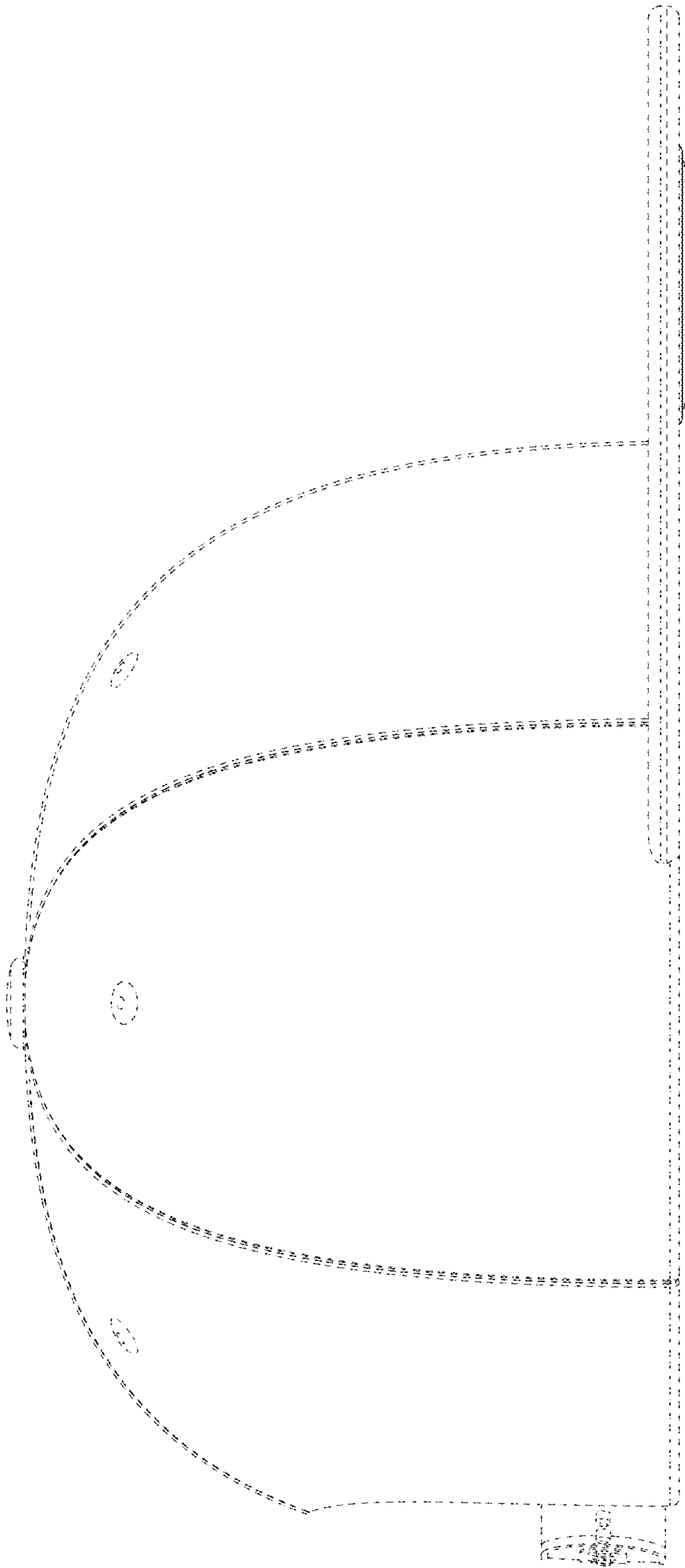


FIG. 4

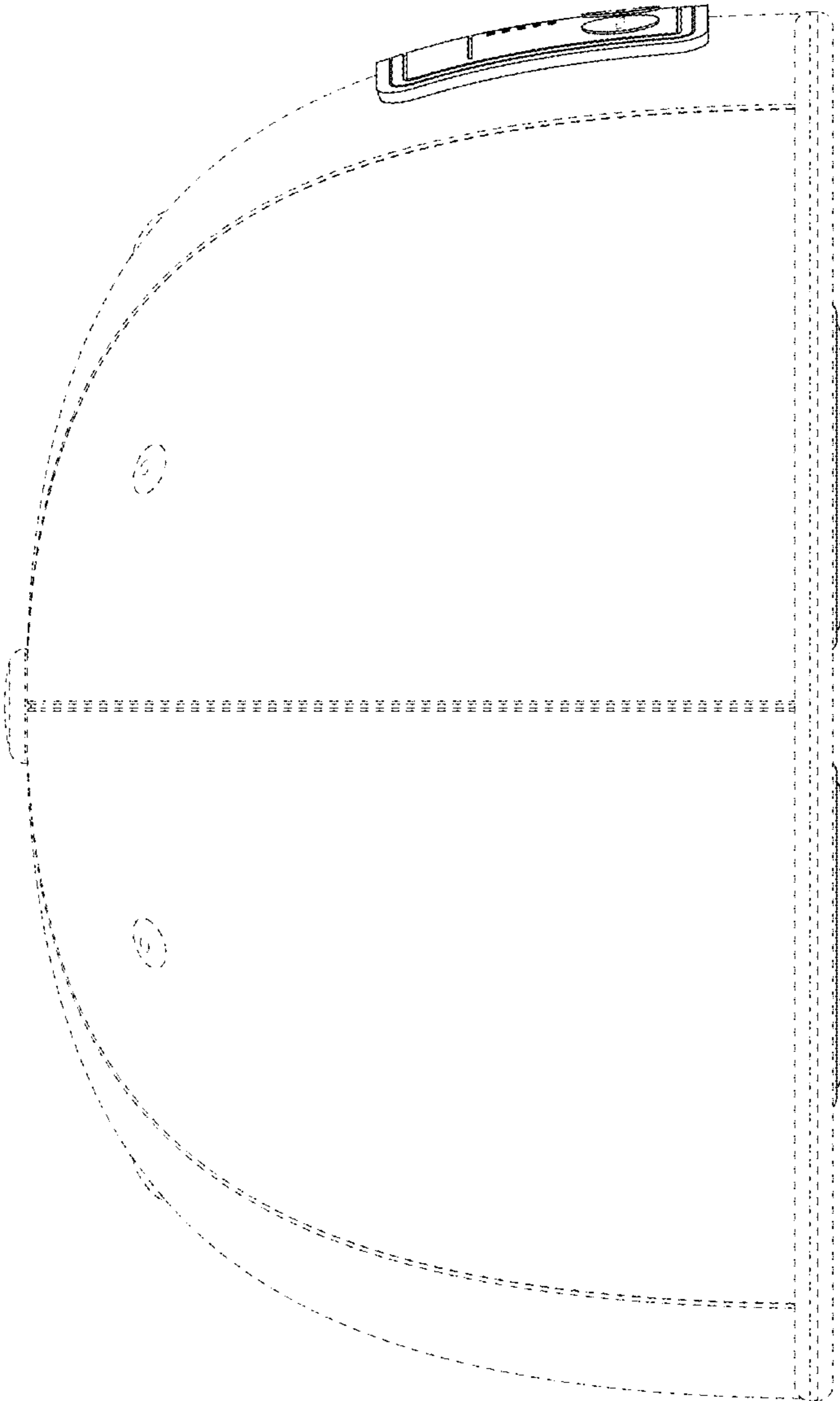


FIG. 5

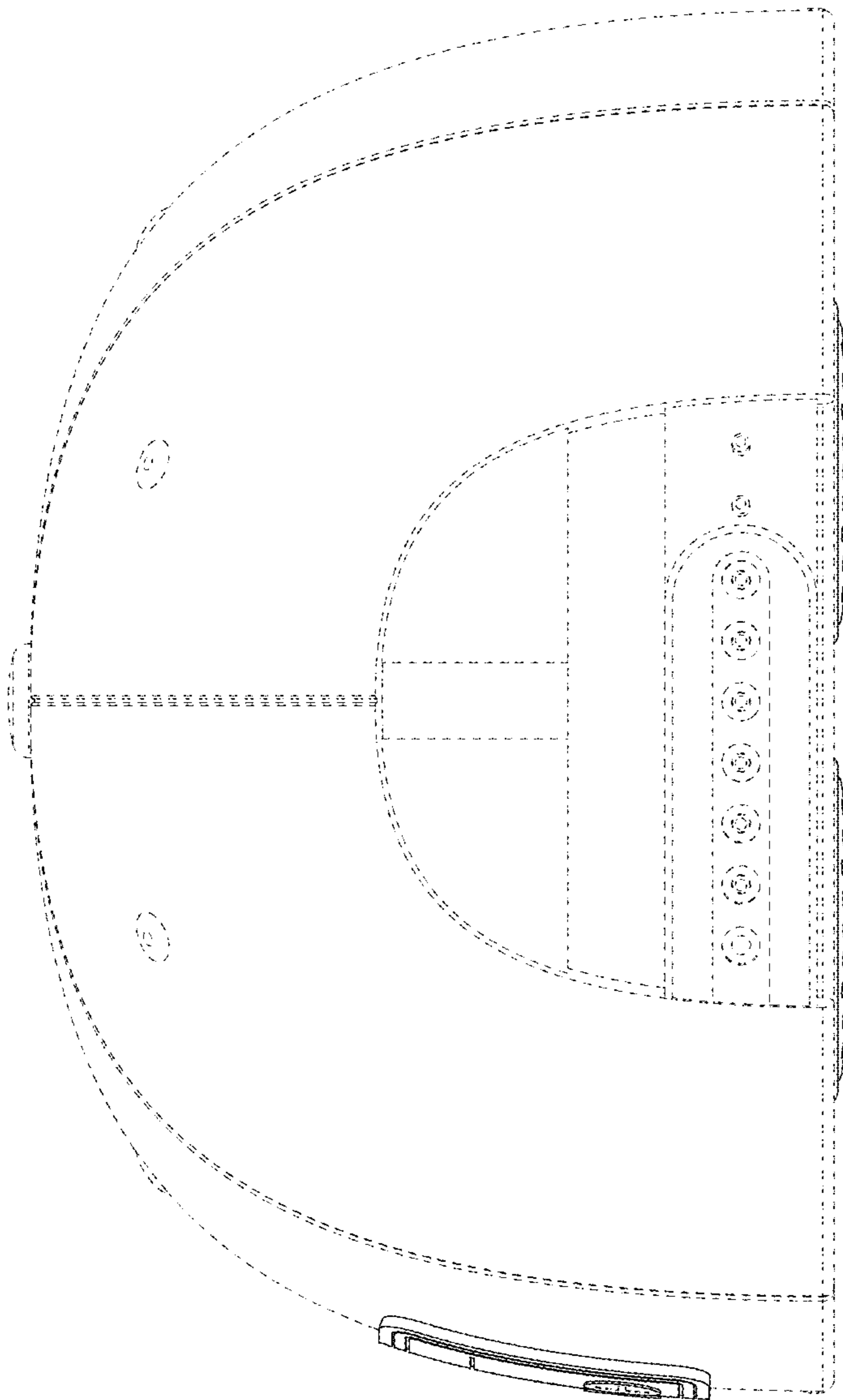


FIG. 6

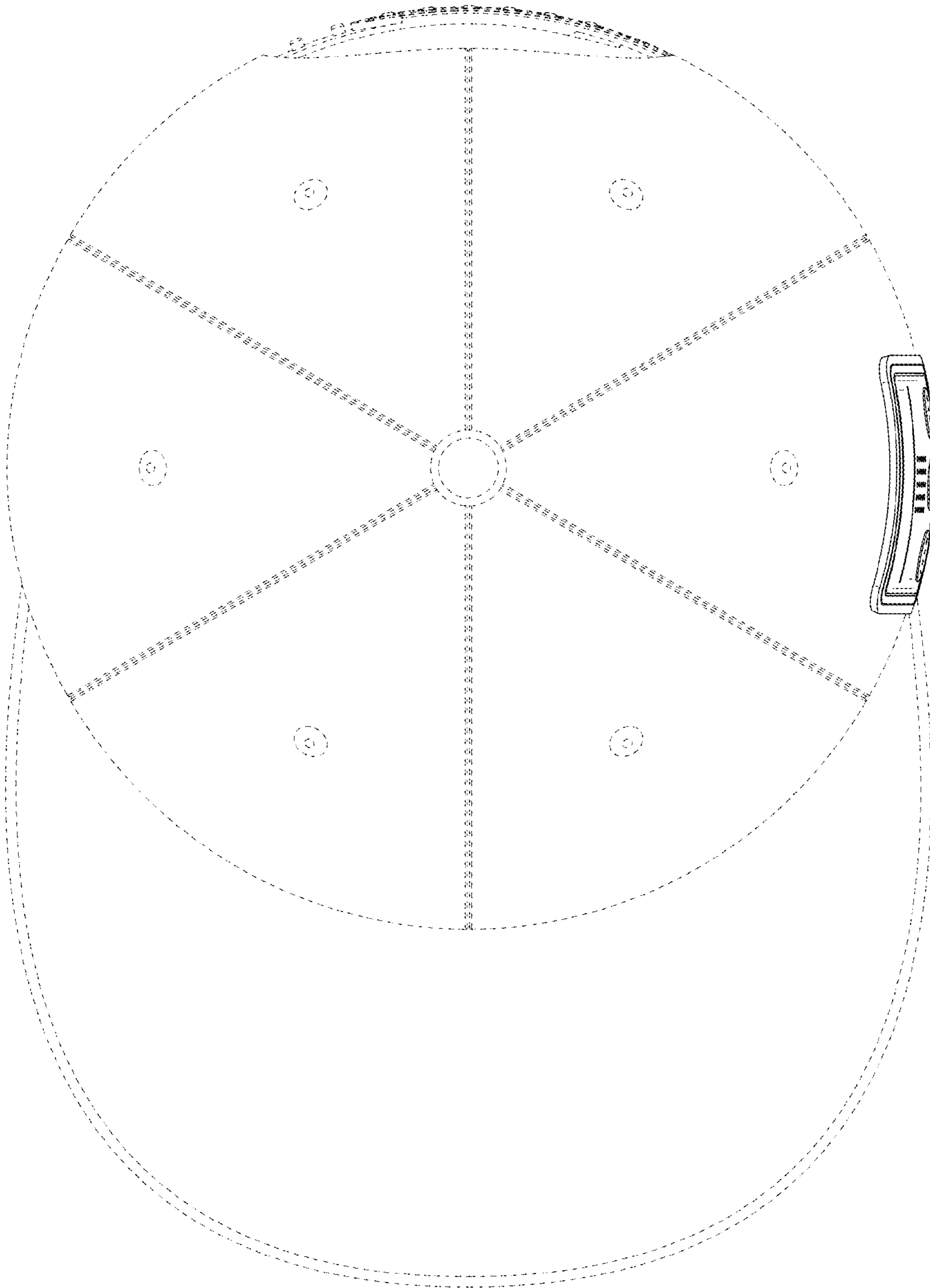


FIG. 7

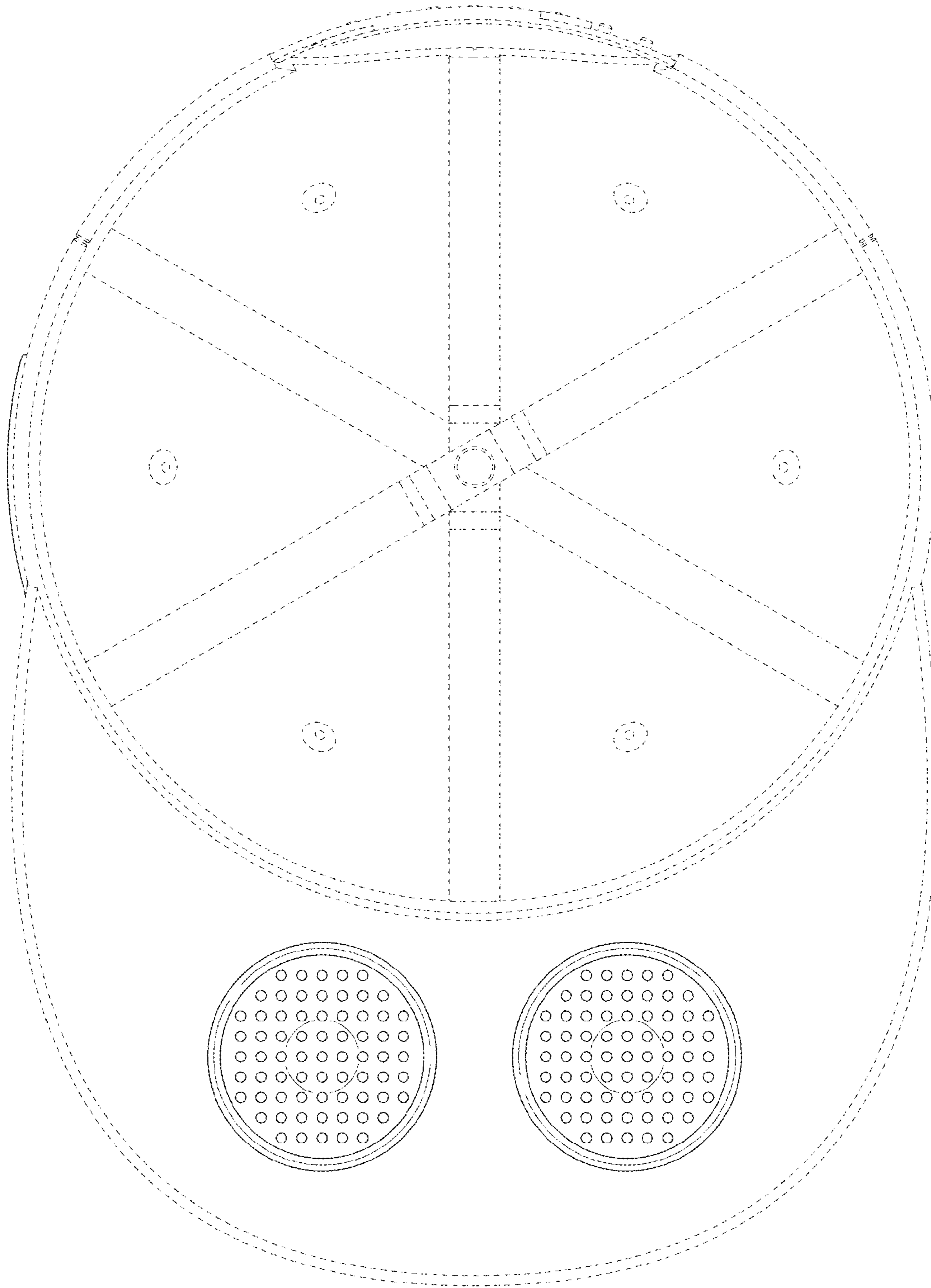


FIG. 8

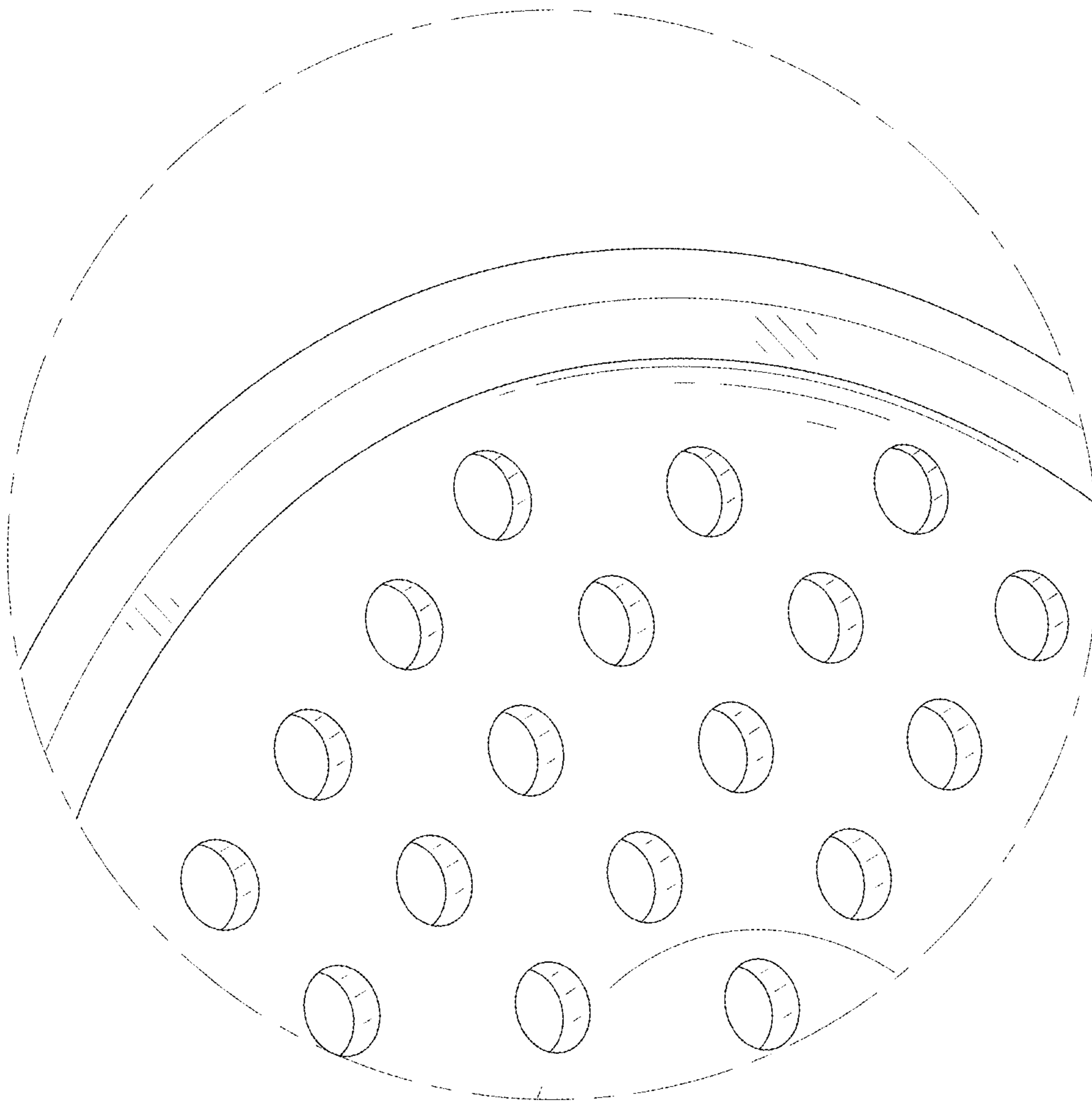


FIG. 9