



US00D952590S

(12) **United States Design Patent** (10) **Patent No.:** **US D952,590 S**
Duman et al. (45) **Date of Patent:** **** May 24, 2022**

(54) **HANDHELD COMMUNICATION DEVICE**

(71) Applicant: **MOTOROLA SOLUTIONS, INC.**,
Chicago, IL (US)

(72) Inventors: **Goktug Duman**, Okaland Park, FL
(US); **William Robertson**, Pompano
Beach, FL (US); **Ryan M Nilsen**,
Plantation, FL (US)

(73) Assignee: **MOTOROLA SOLUTIONS, INC.**,
Chicago, IL (US)

(**) Term: **15 Years**

(21) Appl. No.: **29/747,214**

(22) Filed: **Aug. 20, 2020**

(51) **LOC (13) Cl.** **14-03**

(52) **U.S. Cl.**
USPC **D14/137**

(58) **Field of Classification Search**
USPC D14/137, 138 AA, 138 AD, 138 G,
D14/138 R, 142, 144, 147, 148, 155,
(Continued)

(56) **References Cited**

U.S. PATENT DOCUMENTS

D602,892 S * 10/2009 Devenish, III D14/137
D635,945 S 4/2011 Richards et al.
(Continued)

OTHER PUBLICATIONS

“APX NEXT XN All-Band P25 Smart Radio”, Date not available,
motorolasolutions.com, [online], [site visited Mar. 8, 2022], Avail-
able from internet URL: https://www.motorolasolutions.com/en_us/products/two-way-radios/project-25-radios/portable-radios/apx-next-xn-fire.html (Year: NA) (Year: NA).*

(Continued)

Primary Examiner — Christian P. McLean

Assistant Examiner — Kourosh Taie-Tehrani

(74) *Attorney, Agent, or Firm* — Raguraman Kumaresan

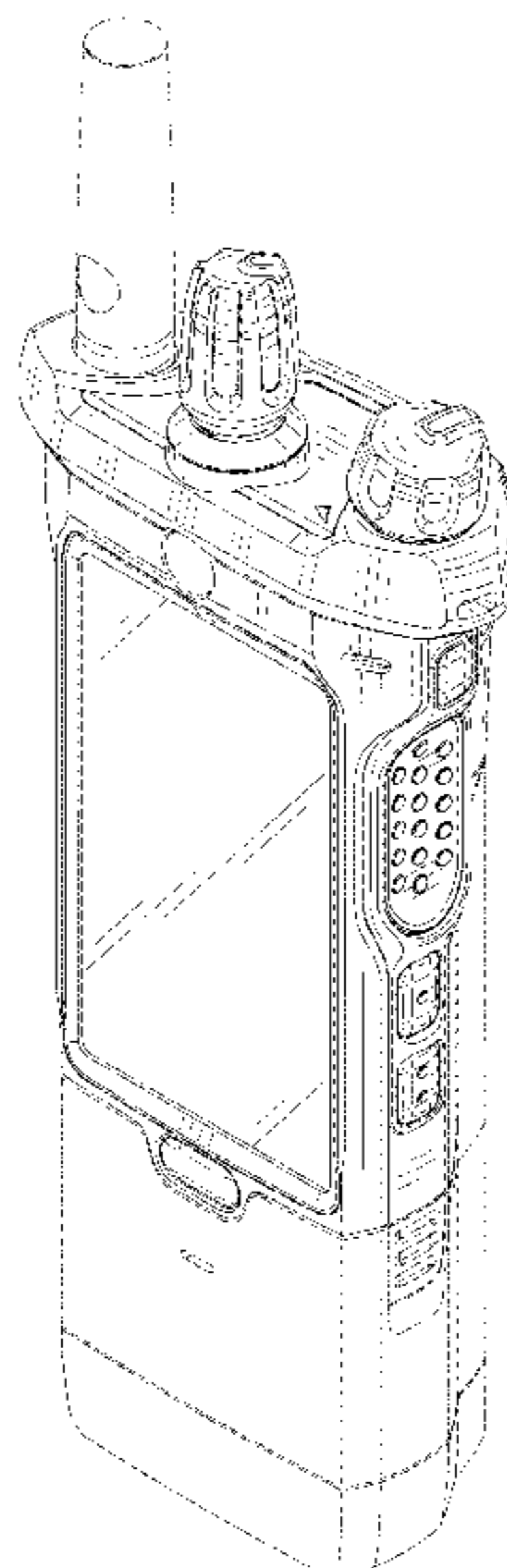
(57) **CLAIM**

The ornamental design for a handheld communication device, as shown and described.

DESCRIPTION

FIG. 1 is a front perspective view of a first embodiment of an ornamental design for a handheld communication device; FIG. 2 is a rear perspective view of the first embodiment thereof; FIG. 3 is a front view of the first embodiment thereof; FIG. 4 is a rear view of the first embodiment thereof; FIG. 5 is a first side view of the first embodiment thereof; FIG. 6 is a second side view of the first embodiment thereof; FIG. 7 is a top view of the first embodiment thereof; and FIG. 8 is a bottom view of the first embodiment thereof. FIG. 9 is a front perspective view of a second embodiment of an ornamental design for a handheld communication device; FIG. 10 is a rear perspective view of the second embodiment thereof; FIG. 11 is a front view of the second embodiment thereof; FIG. 12 is a rear view of the second embodiment thereof; FIG. 13 is a first side view of the second embodiment thereof; FIG. 14 is a second side view of the second embodiment thereof; FIG. 15 is a top view of the second embodiment thereof; and FIG. 16 is a bottom view of the second embodiment thereof. The broken lines depict portions of the handheld communication device that form no part of the claimed design.

1 Claim, 14 Drawing Sheets



(58) **Field of Classification Search**

USPC D14/157–159, 163–165, 168, 171, 172,
 D14/188, 191, 192, 194–198, 203.1,
 D14/203.3, 203.5, 203.7, 204, 210–216,
 D14/218, 219, 221, 225, 226, 341, 342,
 D14/345, 346; D21/324, 329, 331, 517,
 D21/566; D10/65, 78, 104.1, 104.2,
 D10/106.1; D13/168; D30/199
 CPC H04B 1/3833; H04B 1/3827; H04B
 2001/3861; H04B 1/385; H04B 1/3883;
 H04B 2001/3855; H04B 2001/3872;
 H04M 1/23; H04M 1/233; H04M 1/7246;
 H04M 1/72427; G08B 21/0202; H04R
 2410/00; H04R 1/00; H04R 2410/01;
 H04R 2410/03; H04R 2410/05; H04R
 2410/07; H04R 27/00; H04R 27/02;
 H04R 27/04

See application file for complete search history.

(56) **References Cited**

U.S. PATENT DOCUMENTS

D752,006 S * 3/2016 Plaschke D14/138 G
 D784,942 S * 4/2017 Duran D14/137

D785,584 S * 5/2017 Nilsen D14/137
 D837,760 S * 1/2019 Lee D14/138 G
 D857,642 S * 8/2019 Nilsen D14/137
 D881,146 S * 4/2020 Nilsen D14/137
 D881,147 S * 4/2020 Nilsen D14/137
 10,615,836 B1 * 4/2020 Akens H04B 1/3833
 D923,597 S * 6/2021 Nishikawa D14/137
 D929,954 S * 9/2021 Bicudo D14/137
 2018/0219570 A1 * 8/2018 Tran H04M 1/04

OTHER PUBLICATIONS

“APX NEXT XE All-Band P25 Smart Radio”, Date not available,
 motorolasolutions.com, [online], [site visited Mar. 8, 2022], Avail-
 able from internet URL: [https://www.motorolasolutions.com/en_us/
 products/two-way-radios/project-25-radios/portable-radios/apx-next-
 xe.html](https://www.motorolasolutions.com/en_us/products/two-way-radios/project-25-radios/portable-radios/apx-next-xe.html) (Year: NA) (Year: NA).*

“APX NEXT XE—Focused in the Extreme”, first available Sep. 23,
 2020, youtube.com, [online], [site visited Mar. 8, 2022], Available
 from internet URL: [https://www.youtube.com/watch?v=
 tIVwCOxLKh0](https://www.youtube.com/watch?v=tIVwCOxLKh0) (Year: 2020).*

* cited by examiner

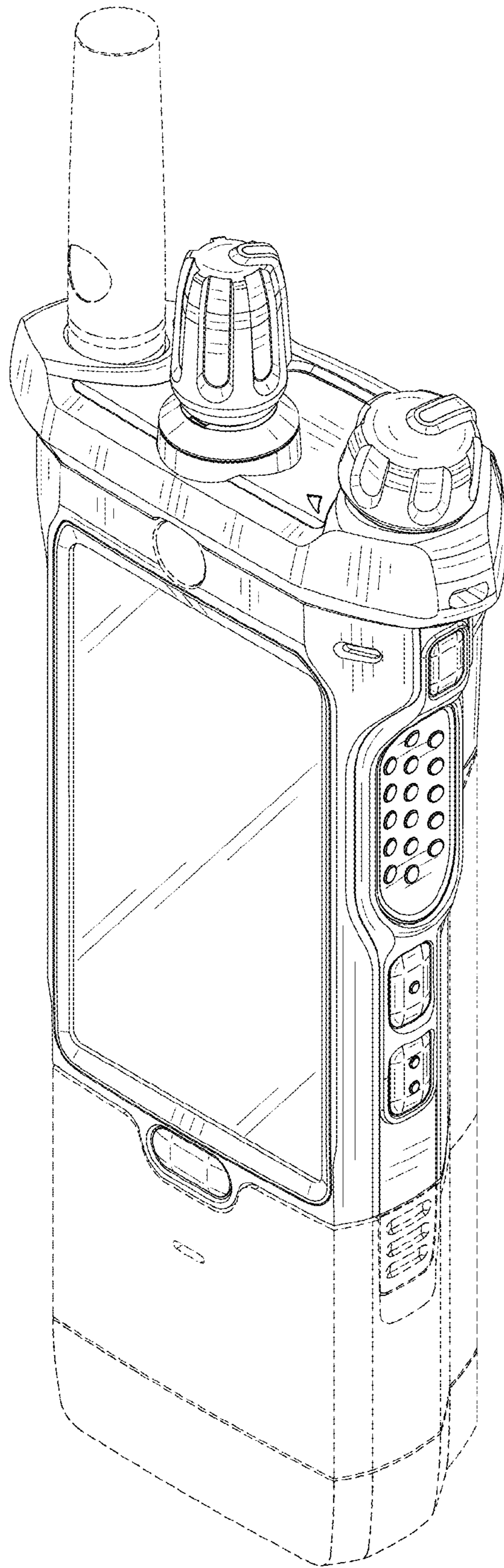


FIG. 1

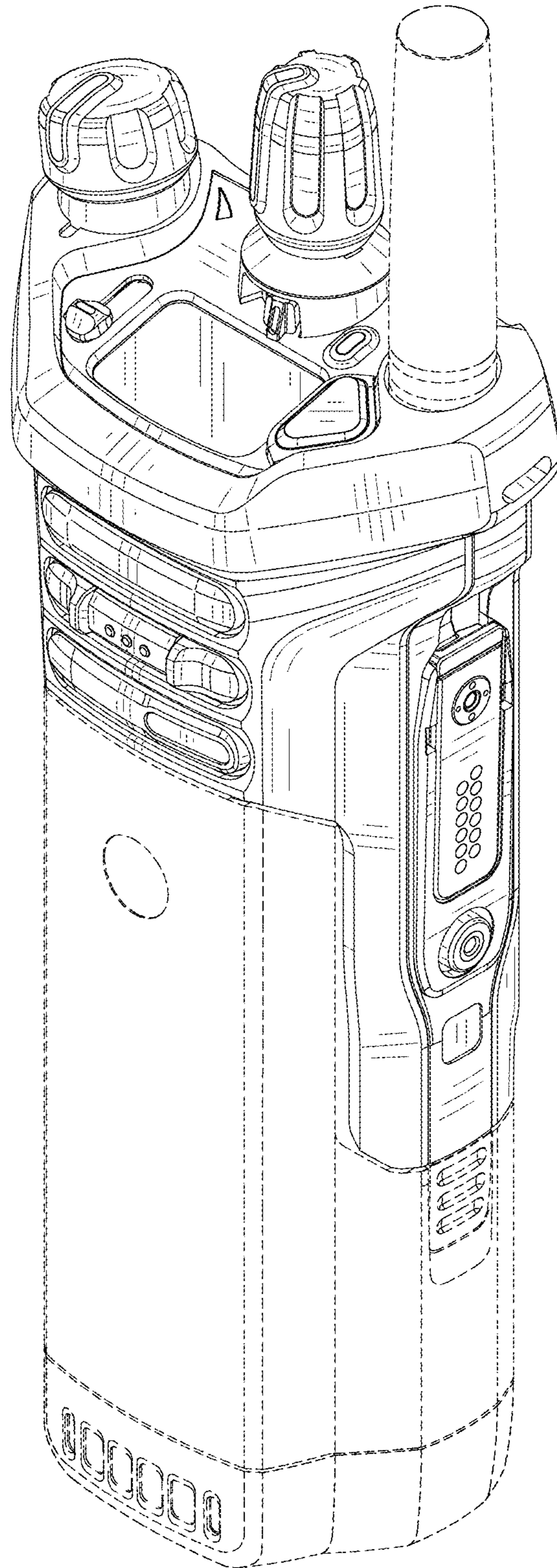


FIG. 2

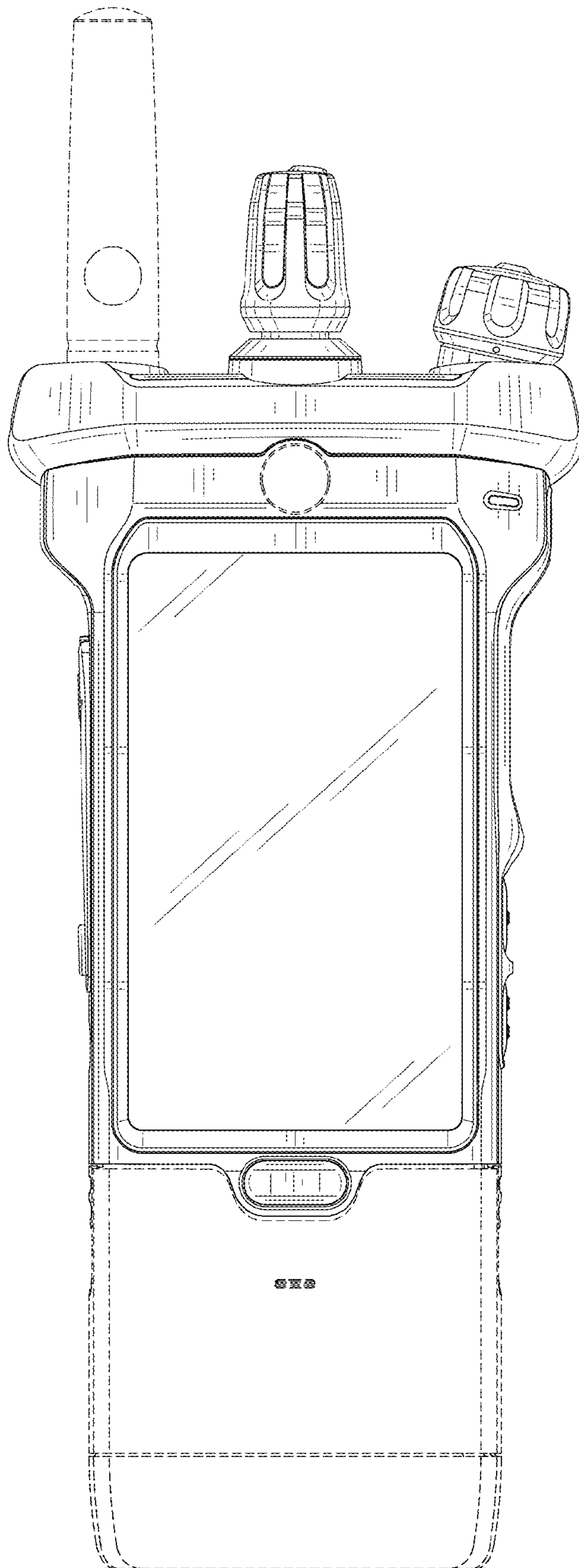


FIG. 3

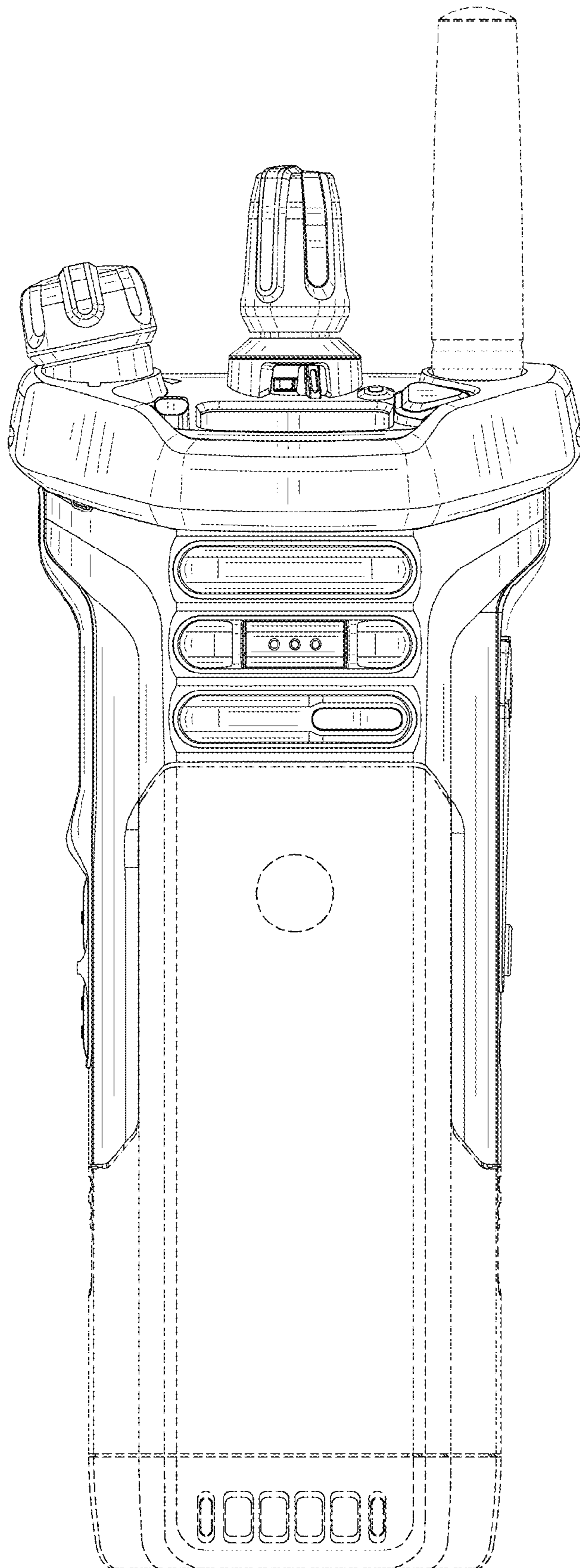


FIG. 4

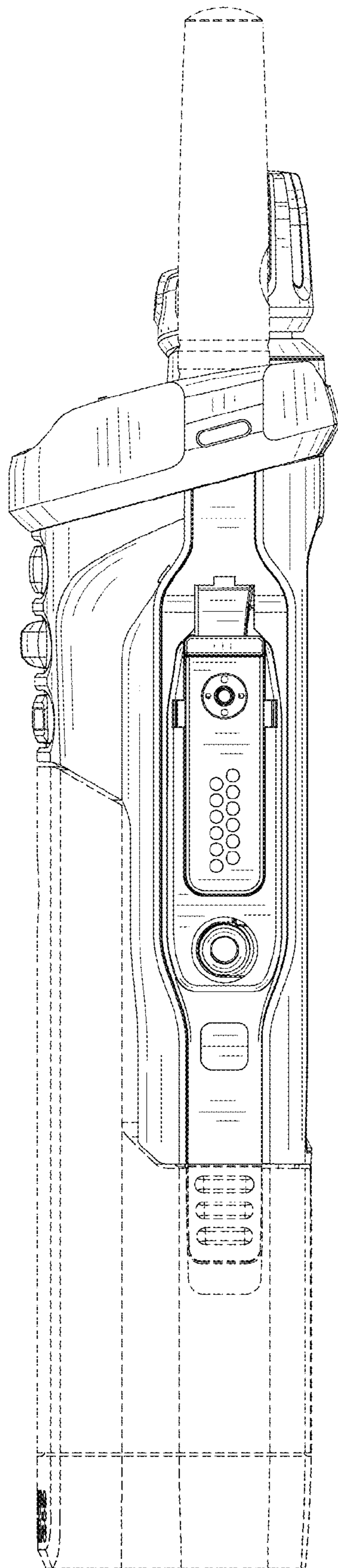


FIG. 5

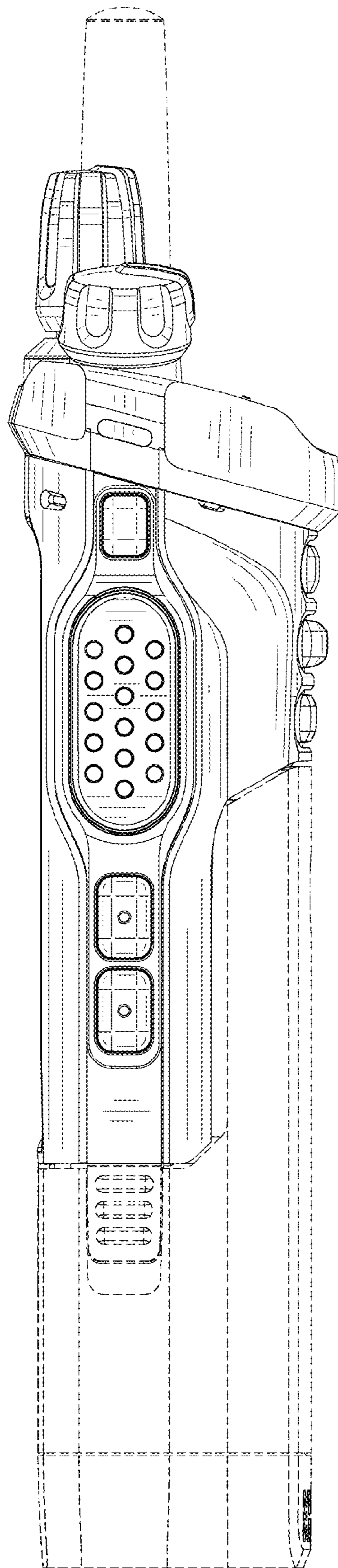


FIG. 6

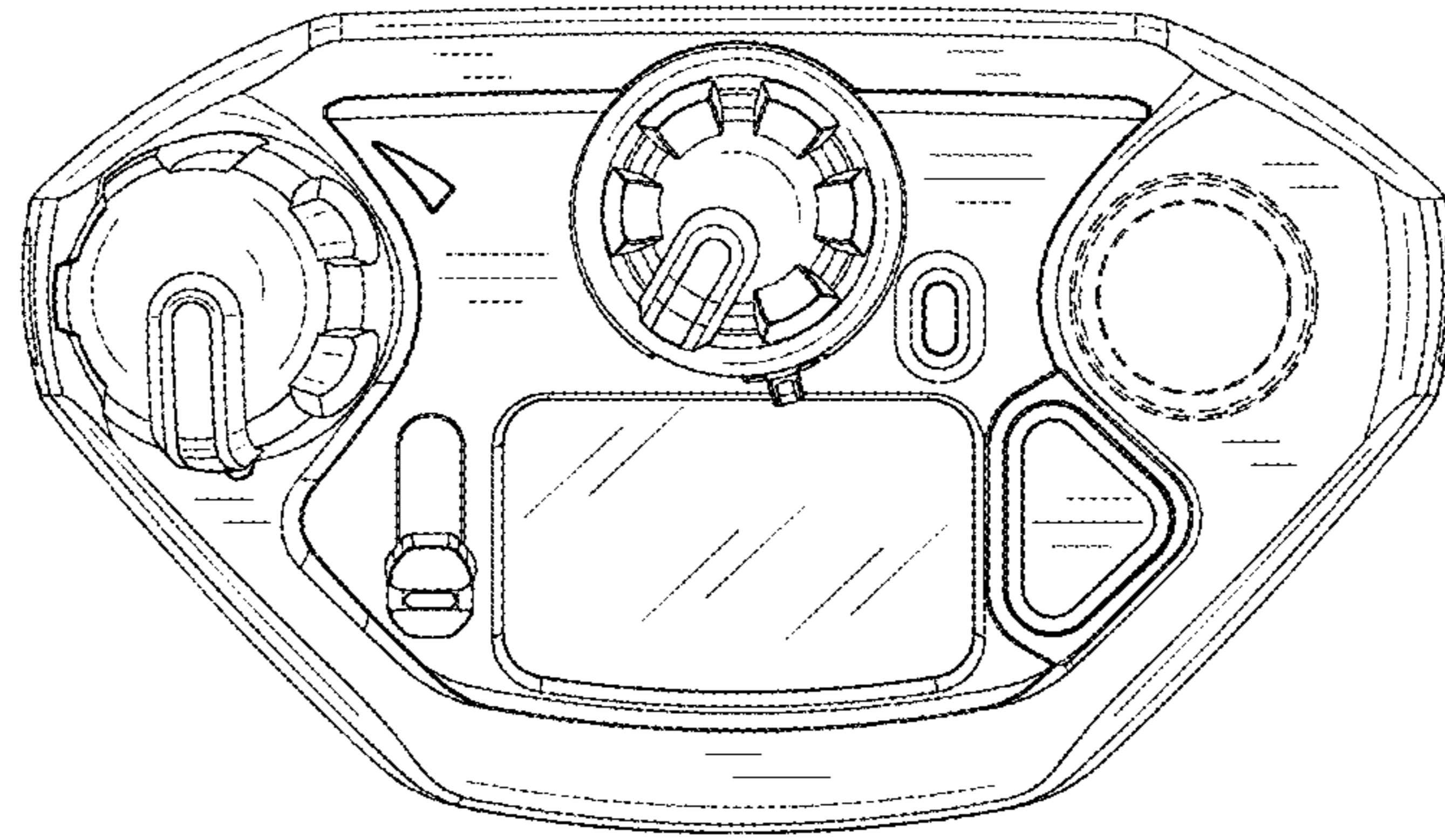


FIG. 7

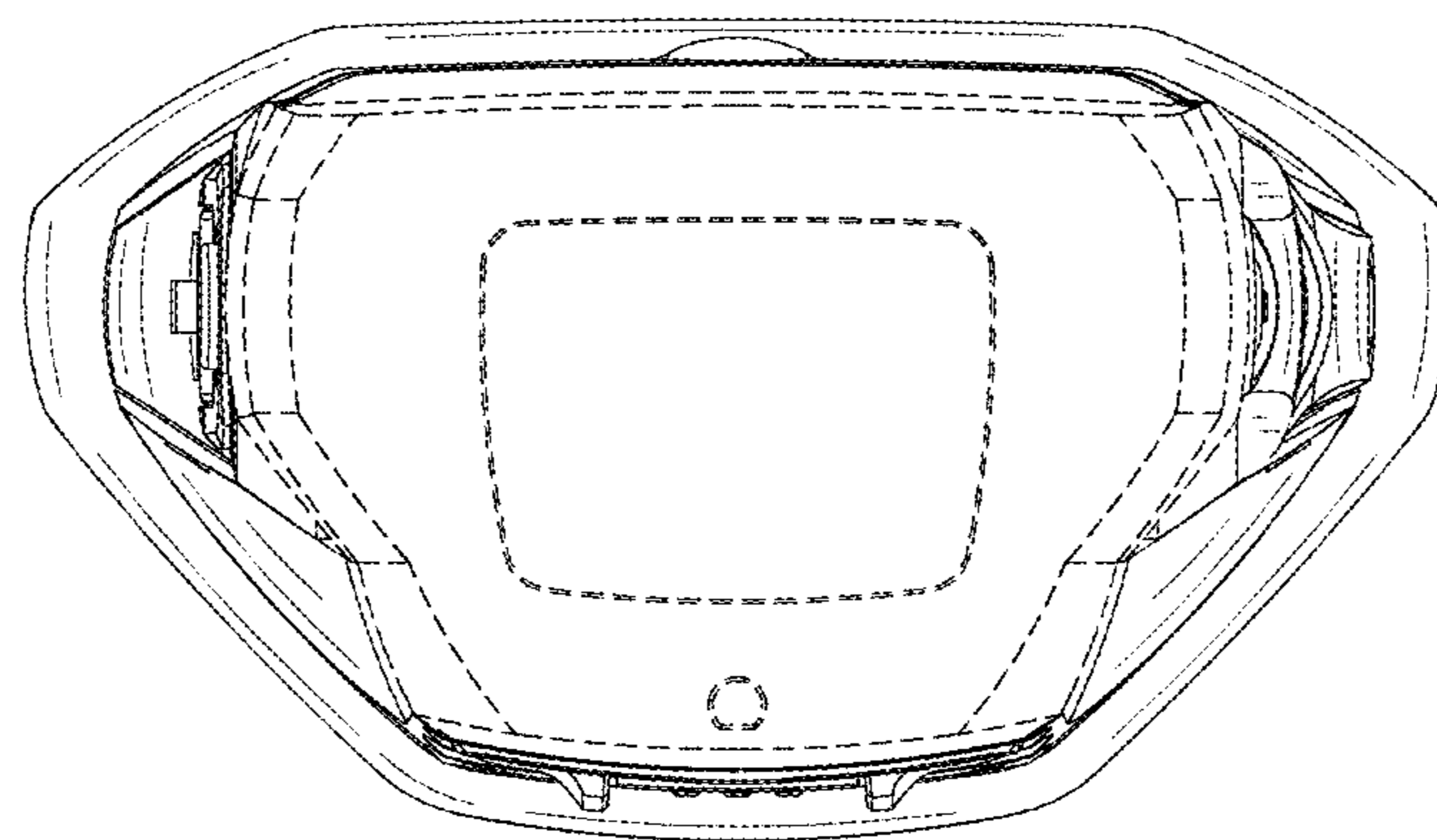


FIG. 8

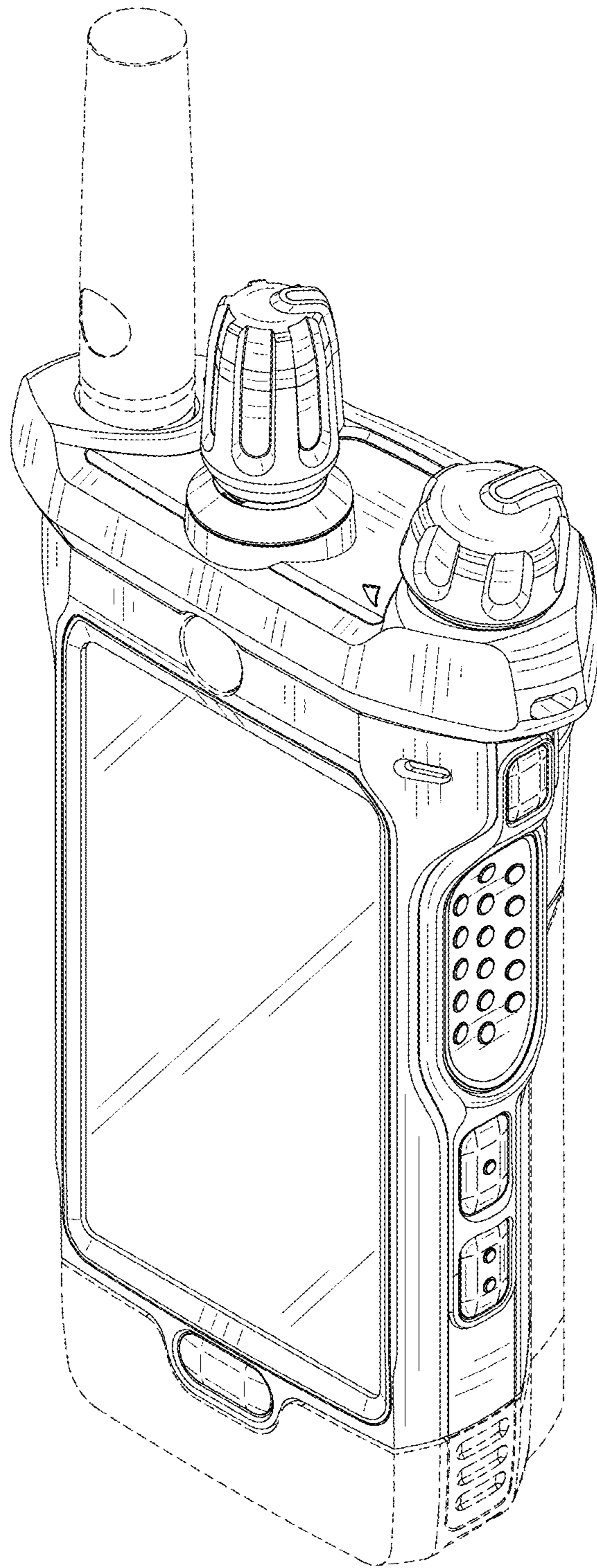


FIG. 9

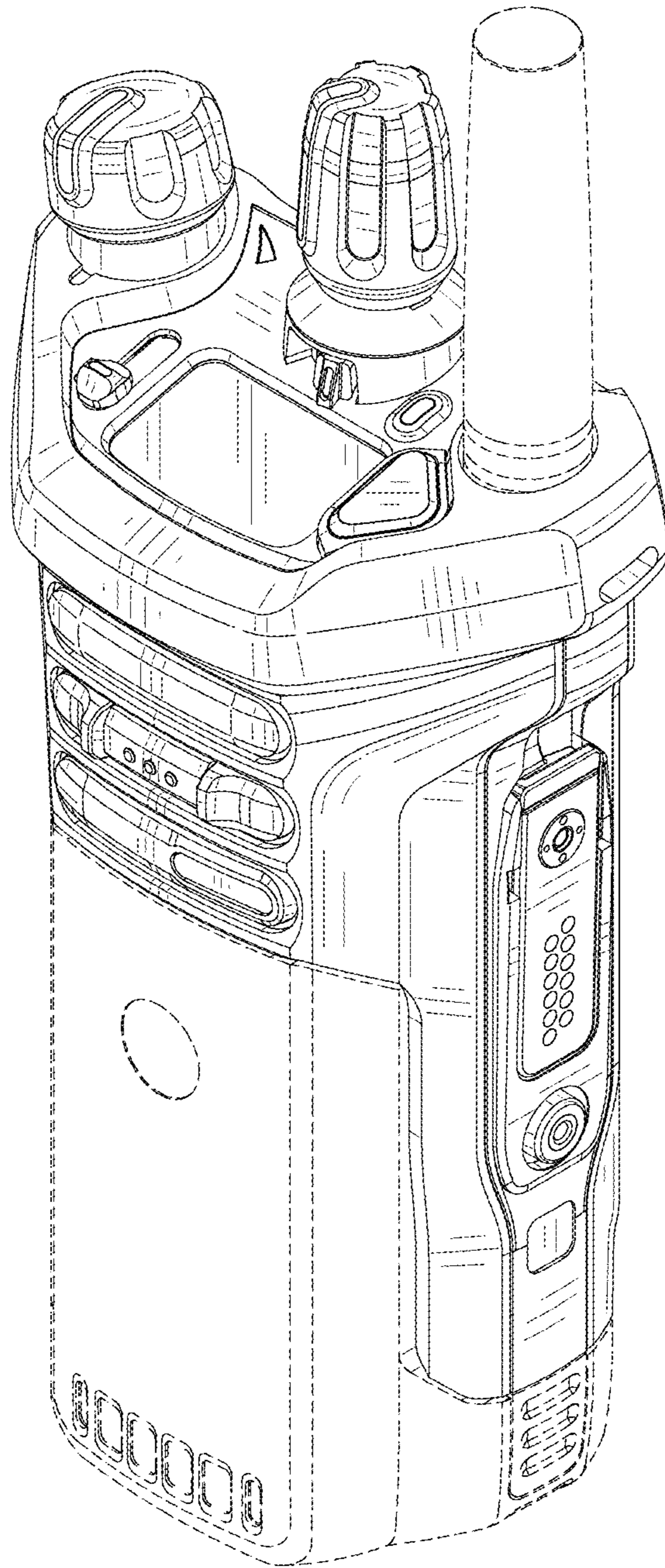


FIG. 10

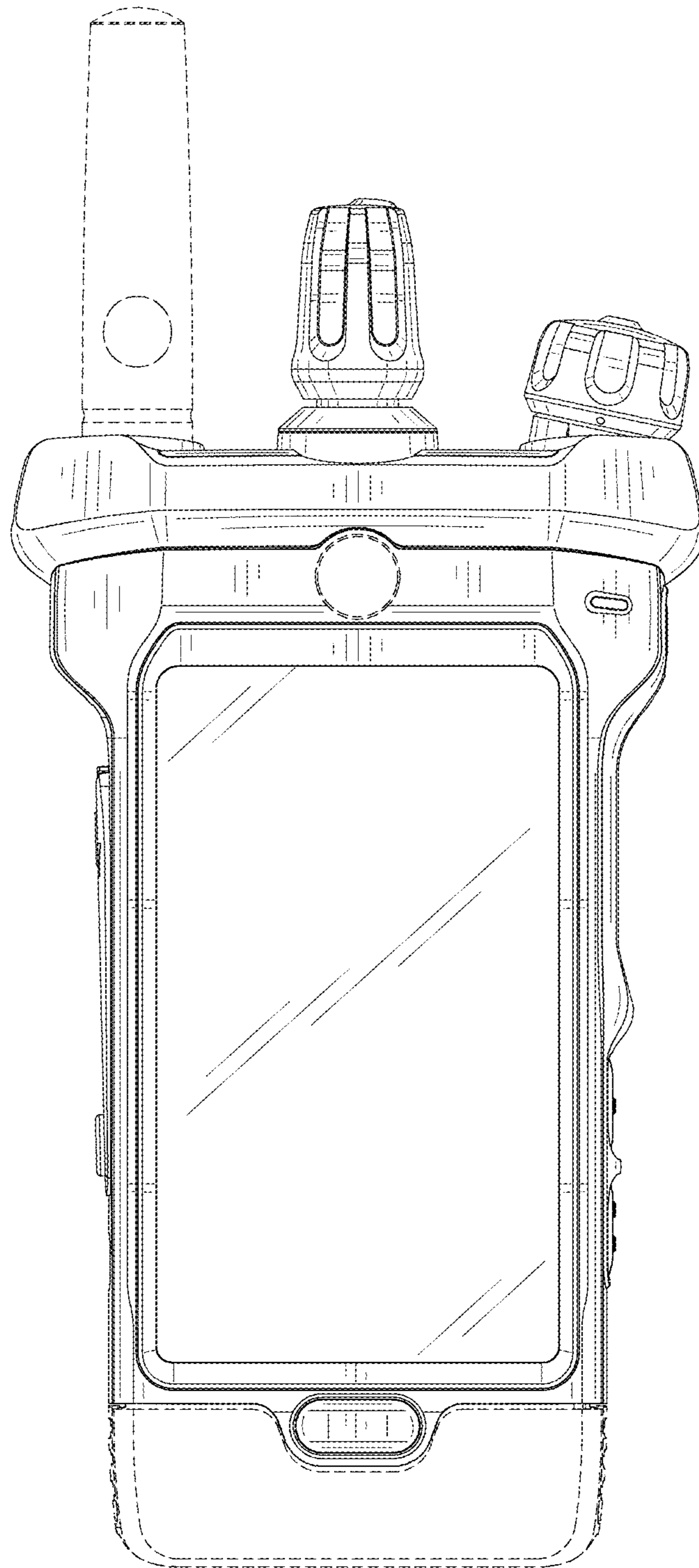


FIG. 11

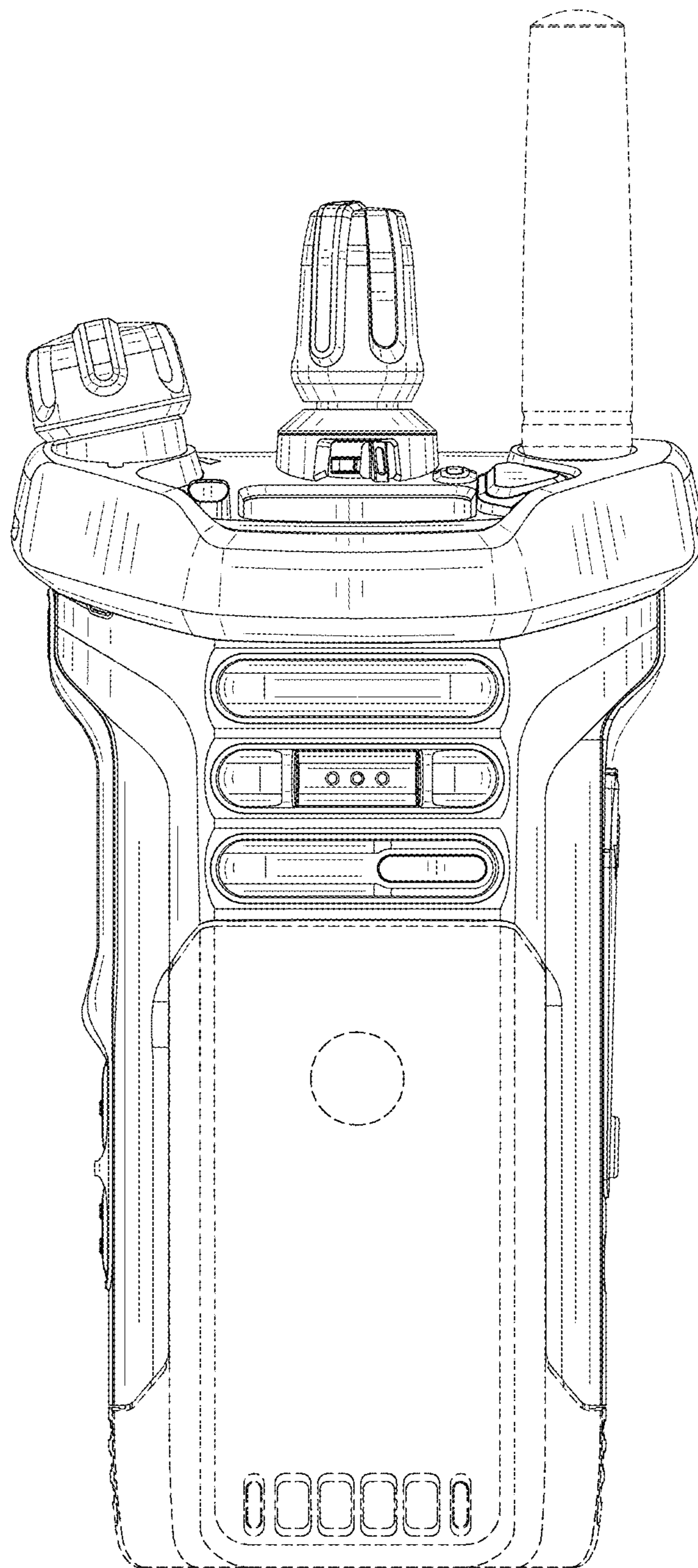


FIG. 12

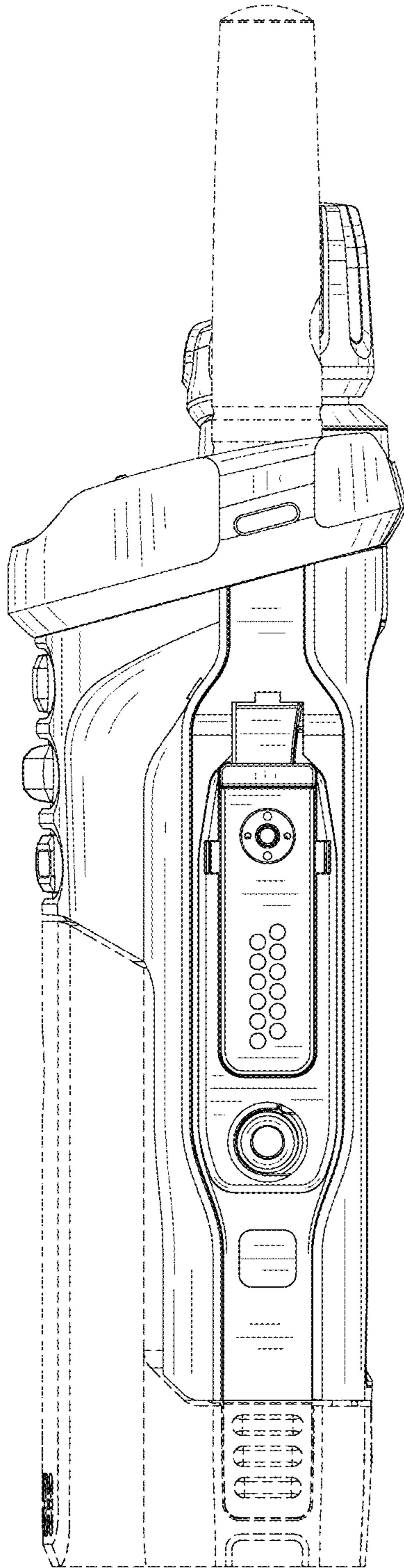


FIG. 13

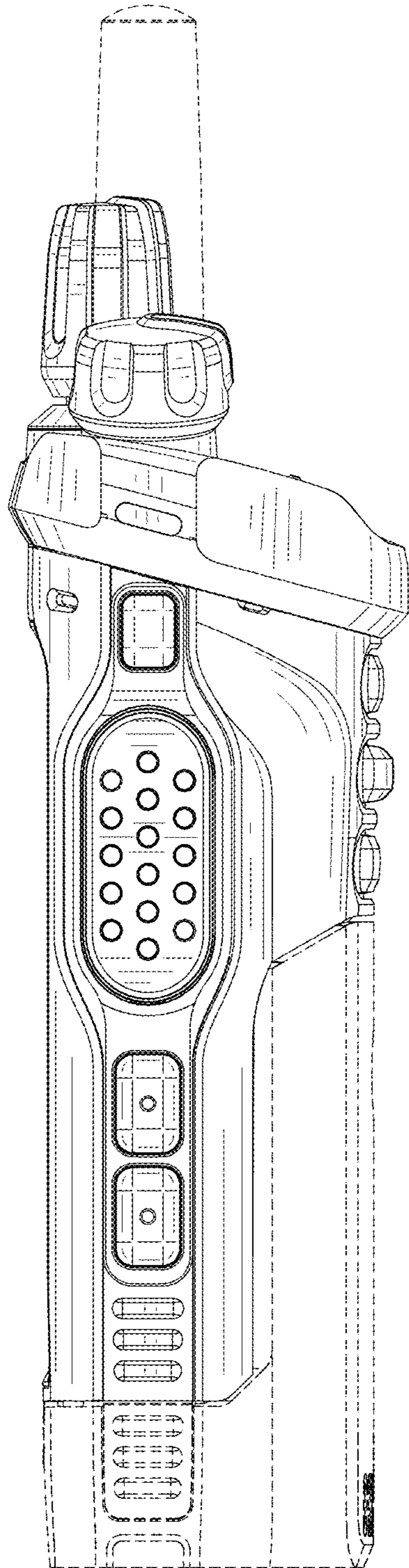


FIG. 14

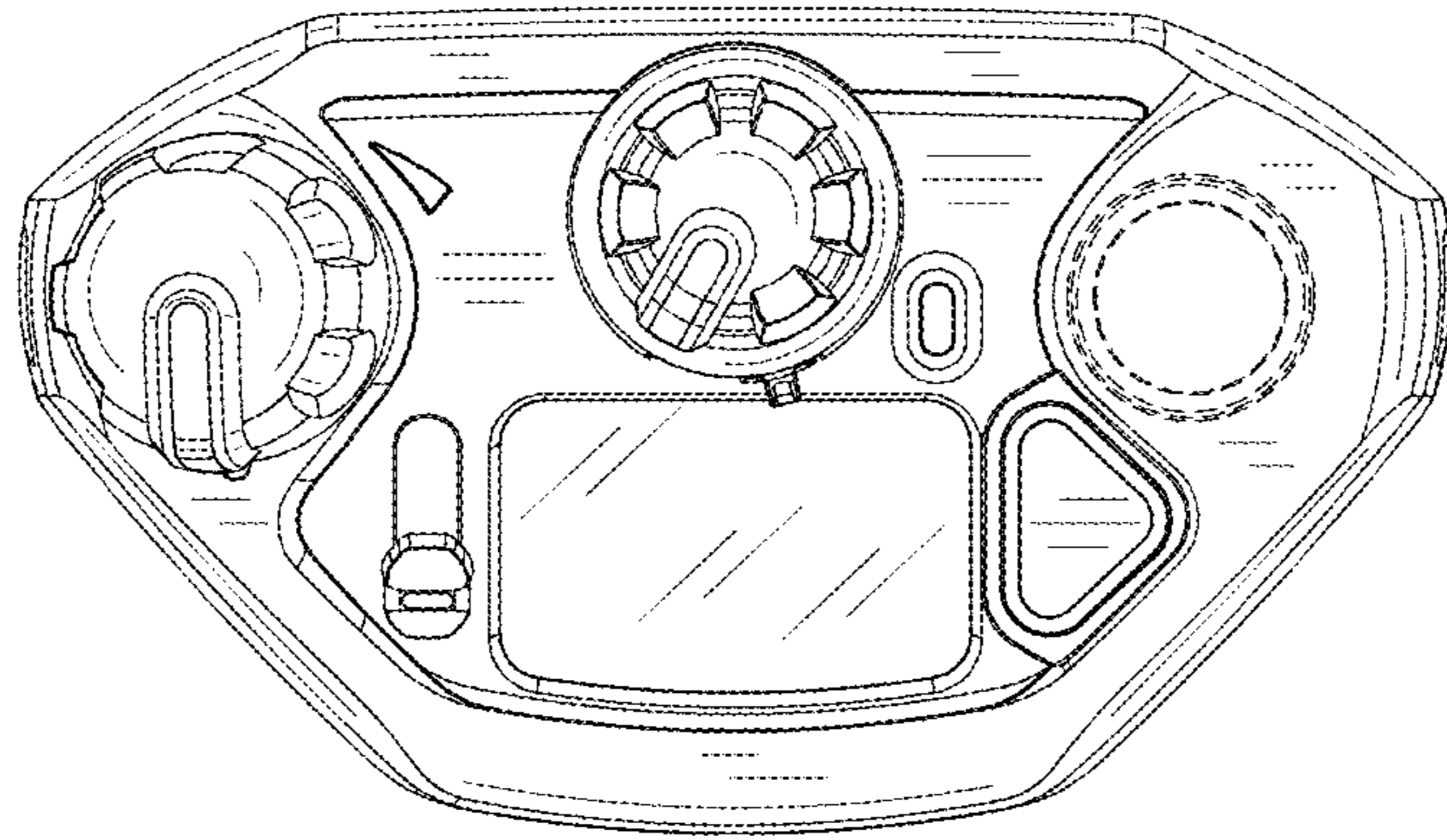


FIG. 15

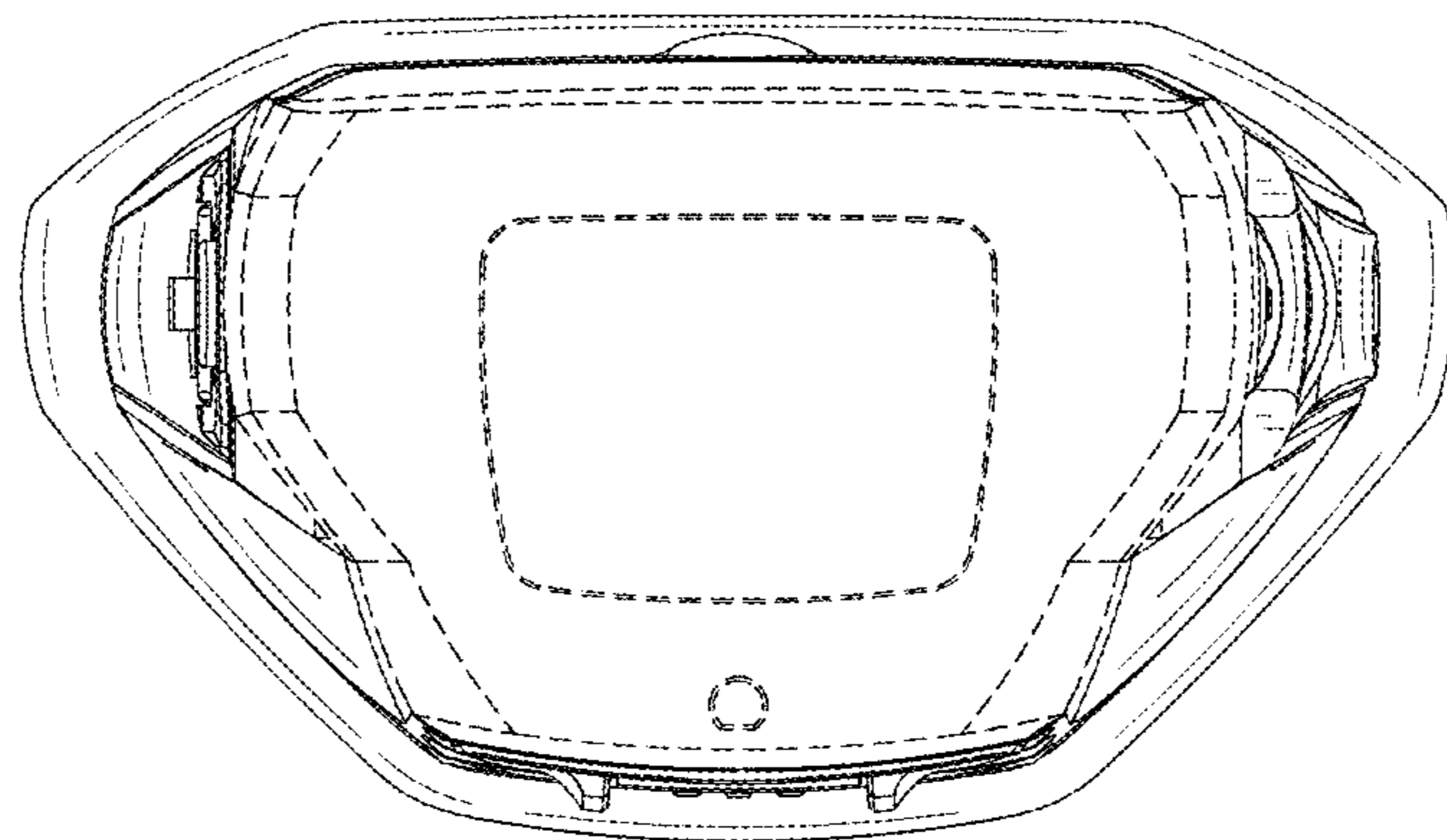


FIG. 16