



US00D952588S

(12) **United States Design Patent** (10) **Patent No.:** **US D952,588 S**  
**Wang** (45) **Date of Patent:** **\*\* May 24, 2022**

(54) **TELEVISION RECEIVER**

(56) **References Cited**

(71) Applicant: **BEIJING XIAOMI MOBILE SOFTWARE CO., LTD.**, Beijing (CN)

U.S. PATENT DOCUMENTS

(72) Inventor: **Luxi Wang**, Beijing (CN)

D545,778 S *	7/2007	Isshiki	.....	D14/126
D558,743 S *	1/2008	Isshiki	.....	D14/239
D561,712 S *	2/2008	Chu	.....	D14/126
D562,788 S *	2/2008	Asanuma	.....	D14/126
D566,669 S *	4/2008	Ooshima	.....	D14/126
D570,312 S *	6/2008	Kita	.....	D14/126
D619,135 S *	7/2010	Lin	.....	D14/374
D634,324 S *	3/2011	Park	.....	D14/374
D659,661 S *	5/2012	Lim	.....	D14/126
D686,615 S *	7/2013	Lee	.....	D14/374
D692,403 S *	10/2013	Takami	.....	D14/126
D700,586 S *	3/2014	Kim	.....	D14/126
D703,168 S *	4/2014	Won	.....	D14/126
D714,238 S *	9/2014	Kim	.....	D14/126
D719,119 S *	12/2014	Park	.....	D14/126
D720,315 S *	12/2014	Kim	.....	D14/126
D722,033 S *	2/2015	Kim	.....	D14/126
D722,989 S *	2/2015	Park	.....	D14/126
D733,082 S *	6/2015	Hwangbo	.....	D14/126
D741,273 S *	10/2015	Huh	.....	D14/126
D748,596 S *	2/2016	McManigal	.....	D14/126
D750,582 S *	3/2016	Kim	.....	D14/126

(73) Assignee: **BEIJING XIAOMI MOBILE SOFTWARE CO., LTD.**, Beijing (CN)

(\*\*) Term: **15 Years**

(21) Appl. No.: **35/510,716**

(22) Filed: **Aug. 5, 2020**

(80) **Hague Agreement Data**

Int. Filing Date: **Aug. 5, 2020**

Int. Reg. No.: **DM/211128**

Int. Reg. Date: **Aug. 5, 2020**

Int. Reg. Pub. Date: **Nov. 13, 2020**

(Continued)

(30) **Foreign Application Priority Data**

Feb. 5, 2020 (CN) ..... 202030047245.6

(51) **LOC (13) Cl.** ..... **14-03**

(52) **U.S. Cl.**  
USPC ..... **D14/126**  
CPC ..... **G06F 1/18** (2013.01)

(58) **Field of Classification Search**  
USPC ..... D14/125-137, 140.11, 218, 239,  
D14/314-316, 339-341, 371, 373, 374,  
D14/379, 432, 440, 448, 450, 485, 492,  
D14/138 G, 248; D21/329, 321, 324,  
D21/333, 369, 370, 31, 515; D10/15, 75,  
D10/80, 104.1, 109.1, 109.2, 121;  
D6/320, 332, 356, 553  
CPC ..... G06F 1/18; H04N 7/18; B64D 11/00152;  
B64D 11/00154; B60R 11/0229; B60R  
11/02; B60R 2011/0017

See application file for complete search history.

Primary Examiner — Richard E Chilcot

(74) Attorney, Agent, or Firm — Syncoda LLC; Feng Ma

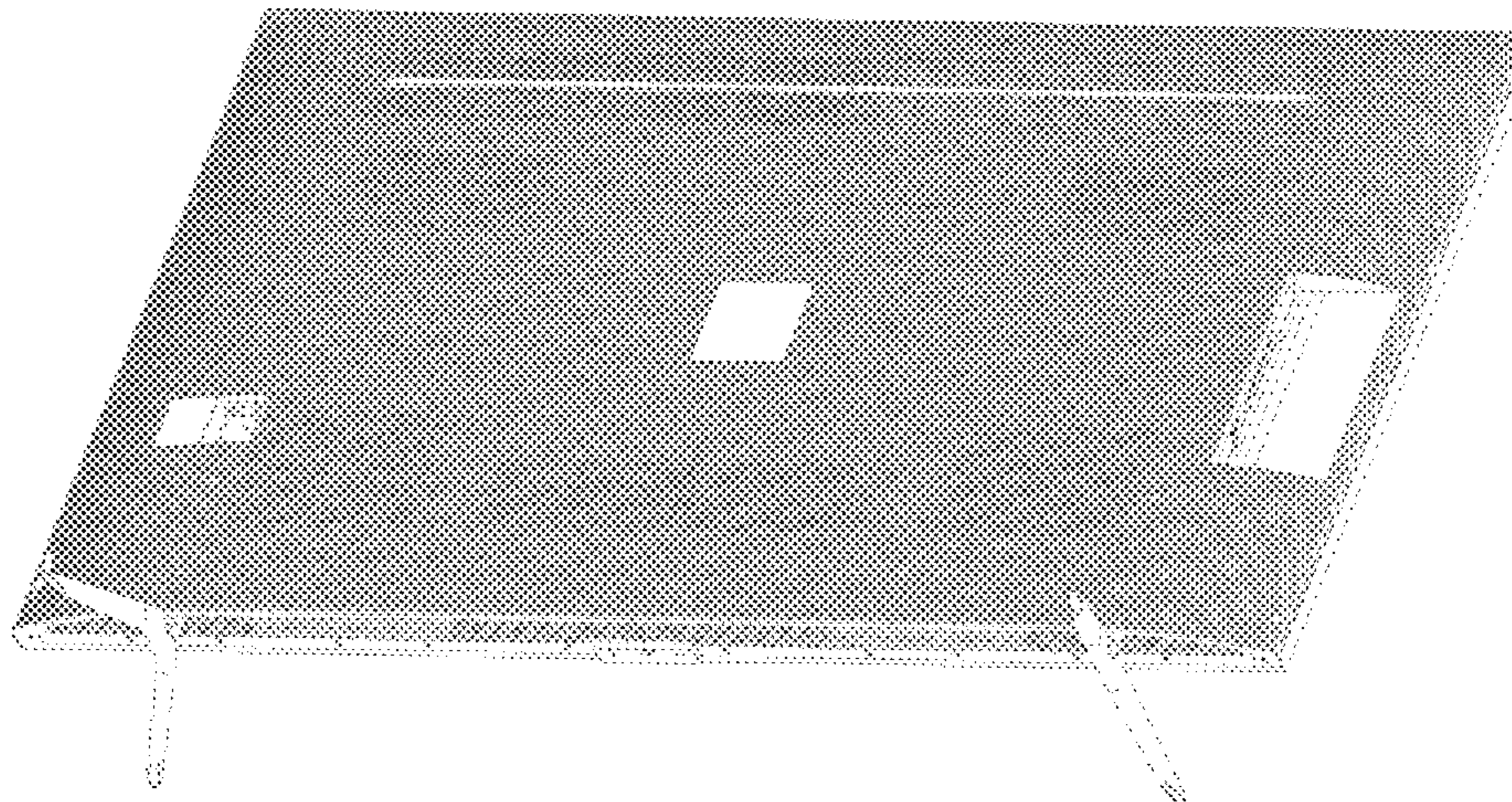
(57) **CLAIM**

The ornamental design for a television receiver, as shown and described.

**DESCRIPTION**

1. Television receiver
- 1.1 is a front view of a television receiver showing the new design;
- 1.2 is a back view thereof;
- 1.3 is a left view thereof;
- 1.4 is a right view thereof;
- 1.5 is a top view thereof;
- 1.6 is a bottom view thereof;

(Continued)



1.7 is a front perspective view thereof; and  
1.8 is a back perspective view thereof.

**1 Claim, 8 Drawing Sheets**

(56)

**References Cited**

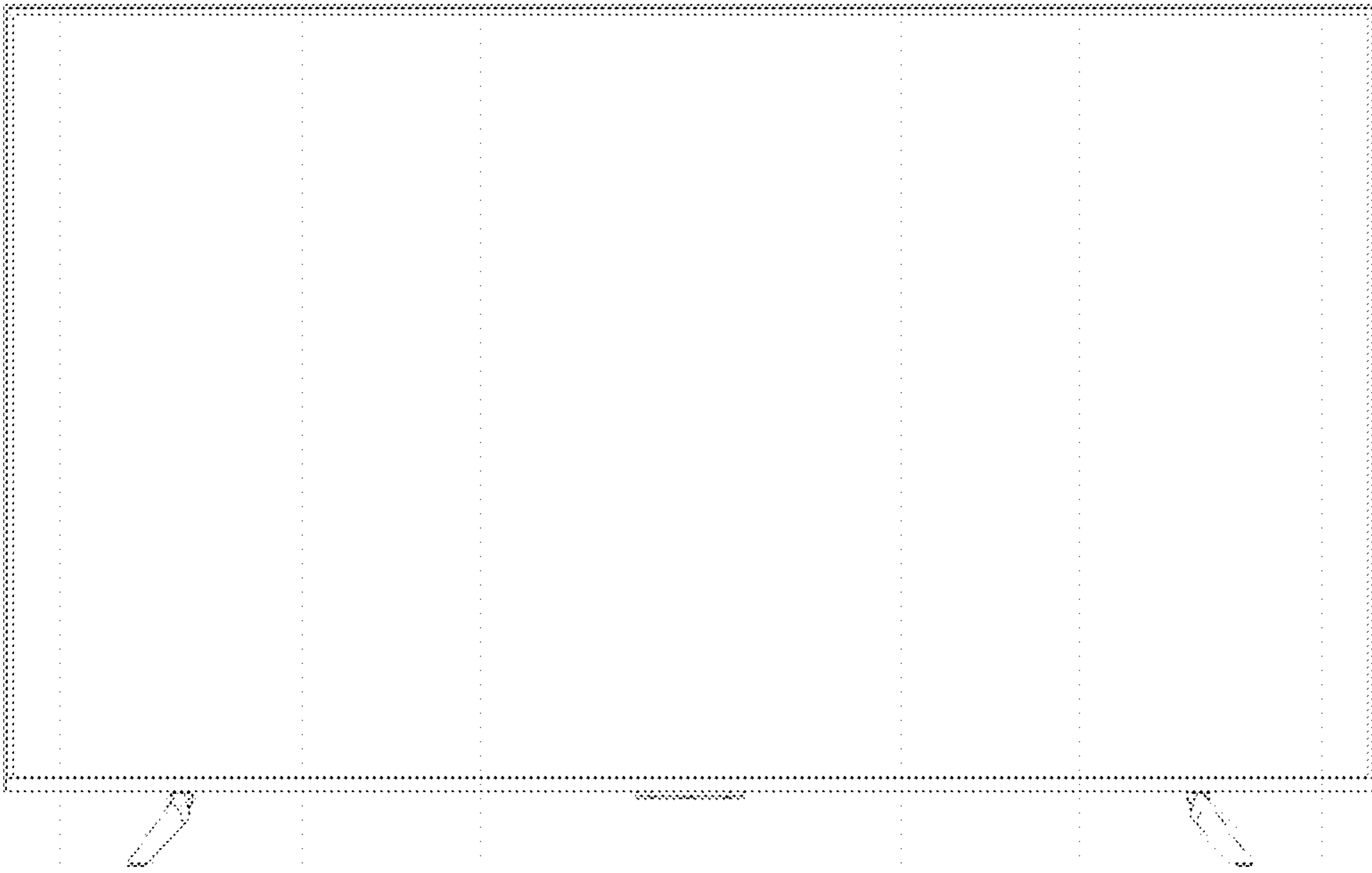
U.S. PATENT DOCUMENTS

D751,519 S \* 3/2016 Ma ..... D14/126  
 D754,086 S \* 4/2016 Valeur ..... D14/126  
 D755,140 S \* 5/2016 Kim ..... D14/126  
 D756,945 S \* 5/2016 Kim ..... D14/126  
 D767,517 S \* 9/2016 Gomi ..... D14/126  
 D768,100 S \* 10/2016 Seo ..... D14/126  
 D772,830 S \* 11/2016 Kim ..... D14/126  
 D773,419 S \* 12/2016 Han ..... D14/126  
 D774,010 S \* 12/2016 Wang ..... D14/126  
 D774,484 S \* 12/2016 Han ..... D14/126  
 D775,094 S \* 12/2016 Kim ..... D14/126  
 D778,854 S \* 2/2017 Lee ..... D14/126  
 D778,855 S \* 2/2017 Lee ..... D14/126  
 D780,140 S \* 2/2017 Kim ..... D14/126  
 D782,991 S \* 4/2017 Kim ..... D14/126  
 D785,581 S \* 5/2017 McManigal ..... D14/126  
 D786,813 S \* 5/2017 McManigal ..... D14/126  
 D786,868 S \* 5/2017 Kim ..... D14/374  
 D787,462 S \* 5/2017 Shiono ..... D14/126

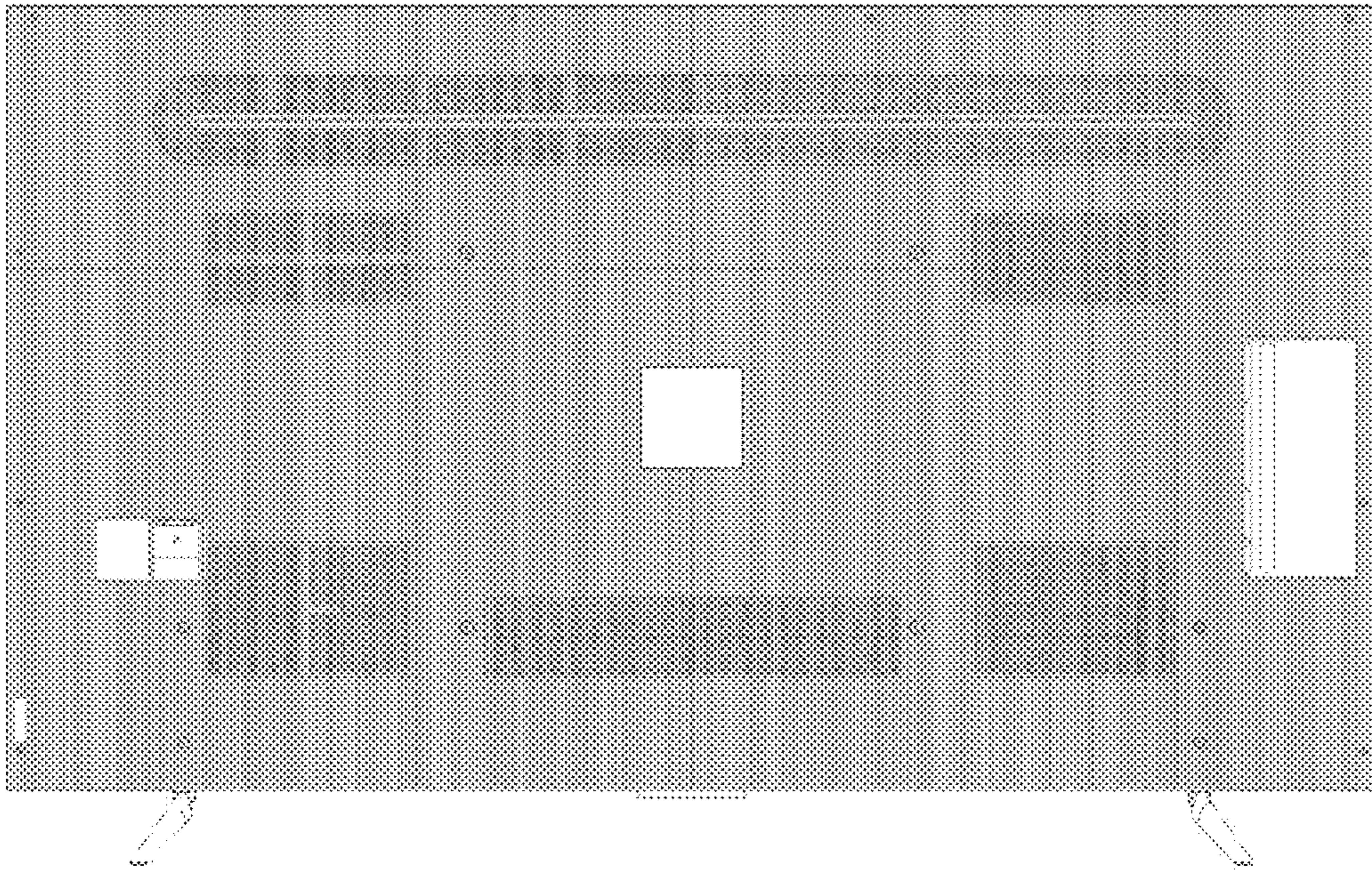
D790,493 S \* 6/2017 Han ..... D14/126  
 D792,361 S \* 7/2017 Han ..... D14/126  
 D796,465 S \* 9/2017 Kim ..... D14/126  
 D805,511 S \* 12/2017 Sun ..... D14/336  
 D817,290 S \* 5/2018 Lee ..... D14/126  
 D826,200 S \* 8/2018 Kim ..... D14/126  
 D826,878 S \* 8/2018 Kim ..... D14/126  
 D826,884 S \* 8/2018 Kim ..... D14/126  
 D828,837 S \* 9/2018 Kim ..... D14/374  
 D830,985 S \* 10/2018 Cha ..... D14/126  
 D836,587 S \* 12/2018 Cha ..... D14/126  
 D837,756 S \* 1/2019 Cheng ..... D14/126  
 D847,772 S \* 5/2019 Kim ..... D14/126  
 D847,773 S \* 5/2019 Kim ..... D14/126  
 D848,386 S \* 5/2019 Kuwao ..... D14/126  
 D848,965 S \* 5/2019 Kim ..... D14/126  
 D848,970 S \* 5/2019 Lim ..... D14/126  
 D858,470 S \* 9/2019 Lee ..... D14/126  
 D858,471 S \* 9/2019 Lee ..... D14/126  
 D858,474 S \* 9/2019 Lim ..... D14/126  
 D859,338 S \* 9/2019 Lim ..... D14/126  
 D860,961 S \* 9/2019 Kim ..... D14/126  
 D860,962 S \* 9/2019 Lee ..... D14/126  
 D901,414 S \* 11/2020 Park ..... D14/126  
 D901,416 S \* 11/2020 Park ..... D14/126  
 D918,163 S \* 5/2021 Kim ..... B64D 11/00154  
 D14/126  
 D923,595 S \* 6/2021 Jeong ..... D14/126  
 D923,596 S \* 6/2021 Kim ..... D14/126  
 D924,232 S \* 7/2021 Kim ..... D14/371

\* cited by examiner

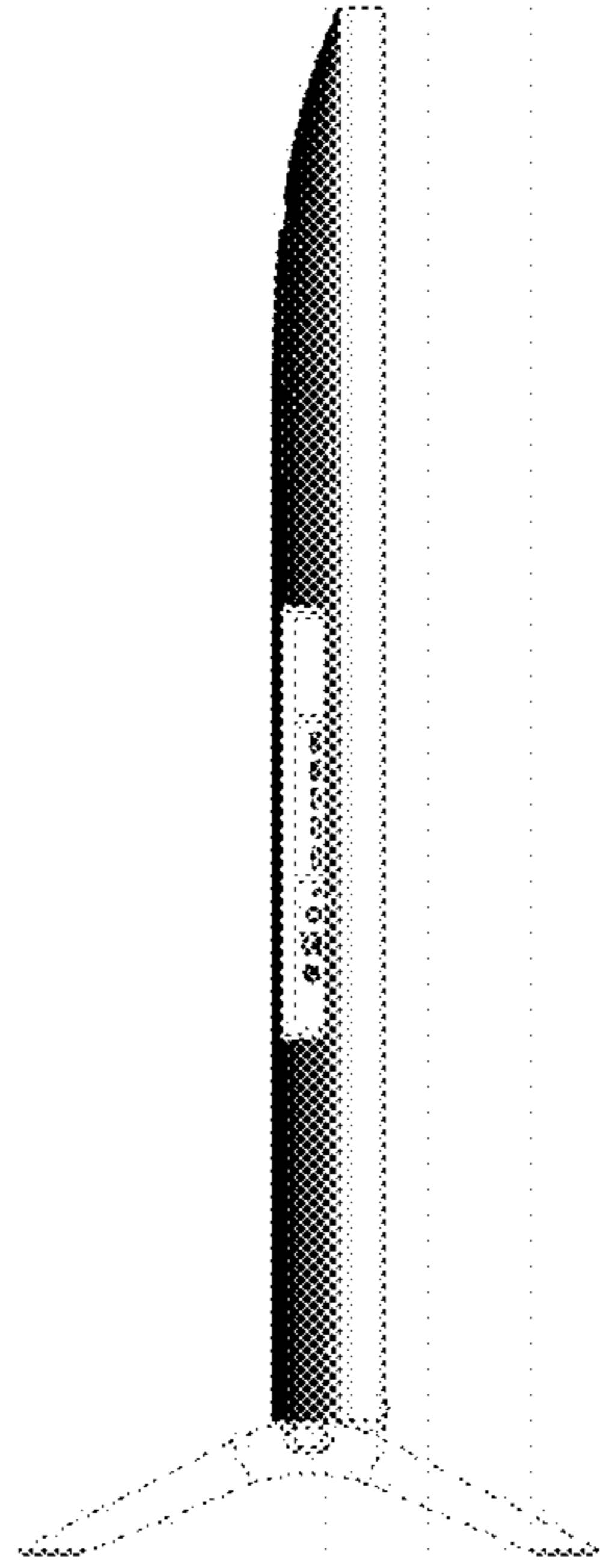




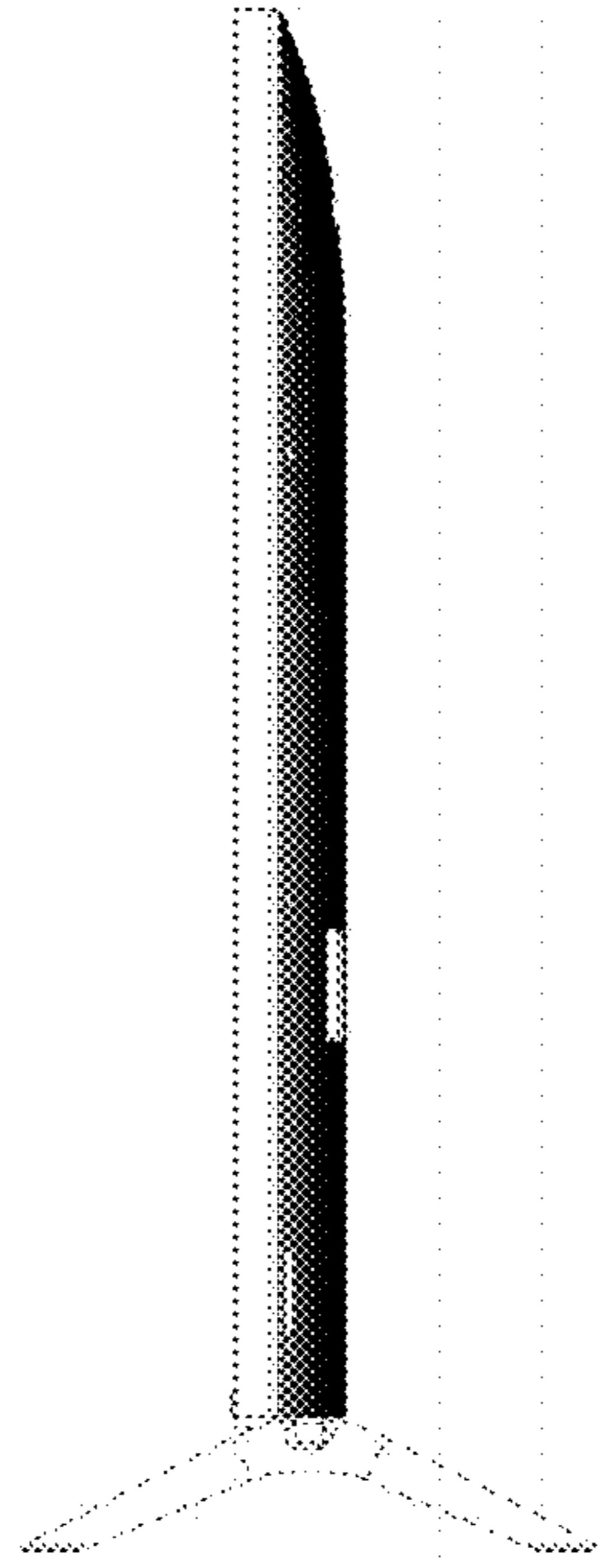
1.1



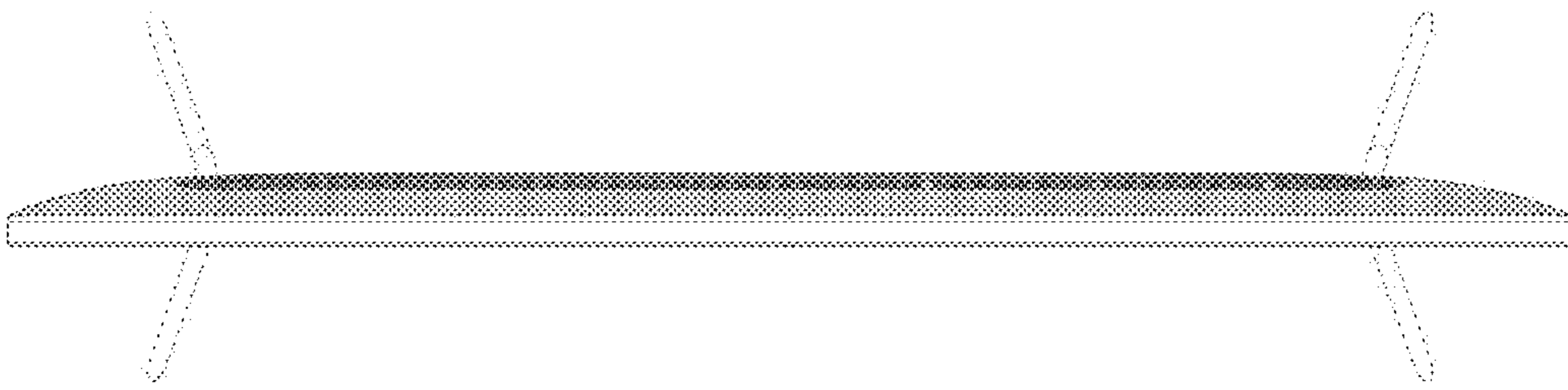
1.2



1.3

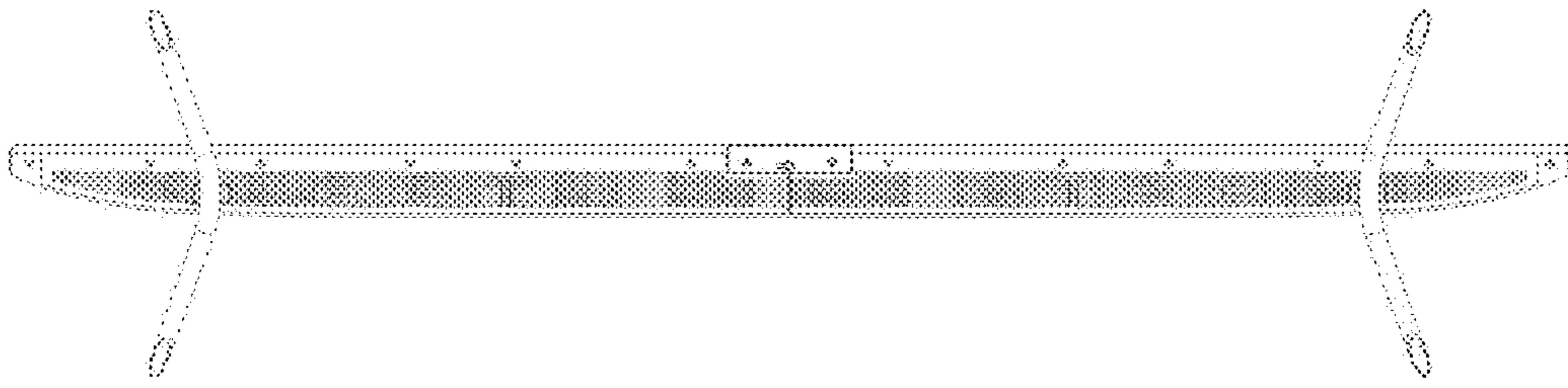


1.4



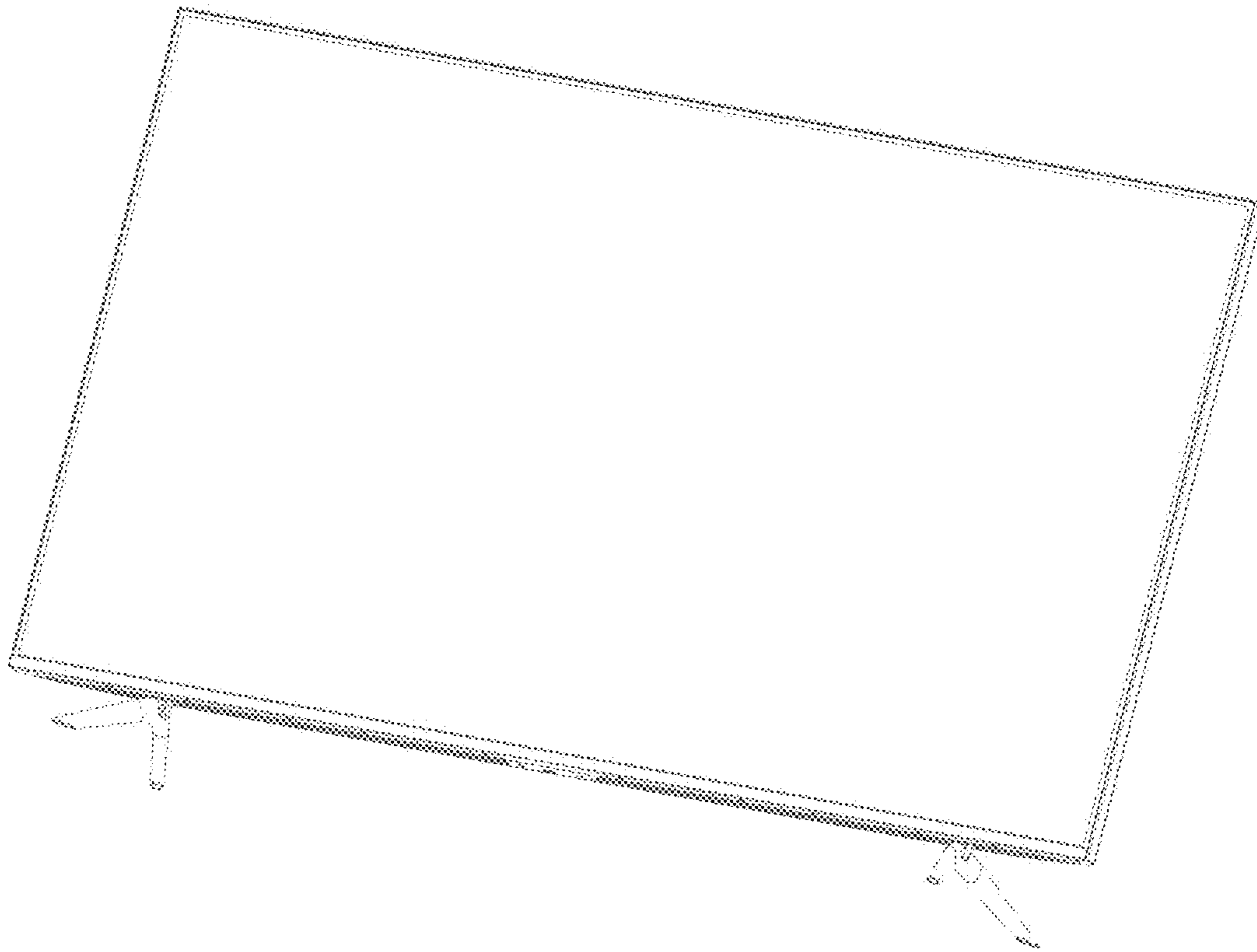
1.5



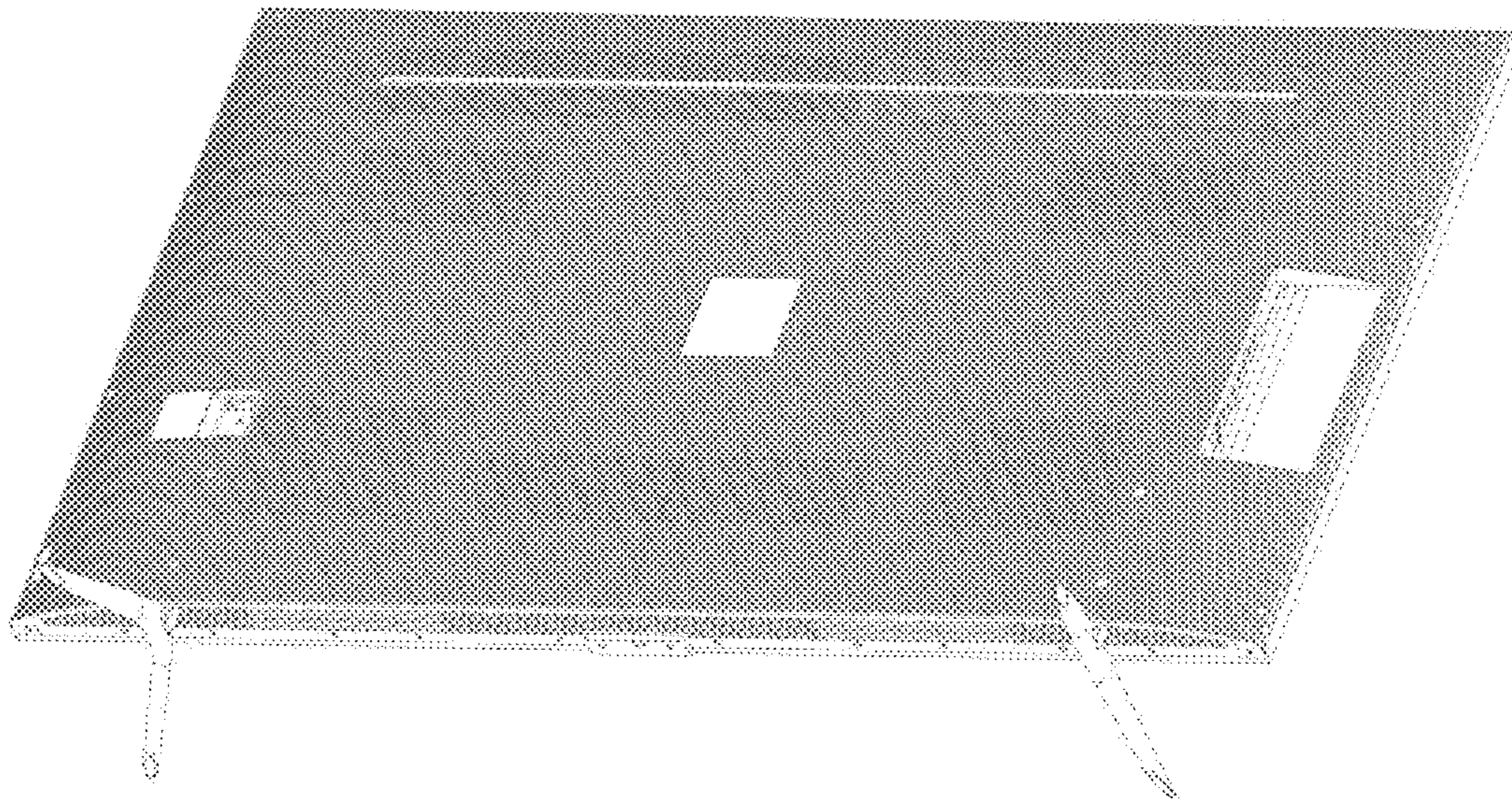


1.6





1.7



1.8