



US00D952587S

(12) **United States Design Patent**  
**Choi et al.**

(10) **Patent No.:** **US D952,587 S**

(45) **Date of Patent:** **\*\* \*May 24, 2022**

(54) **TELEVISION RECEIVER**

5/64; H04N 5/232411; H04M 1/0266;  
H04R 5/02; G02F 1/133308

(71) Applicant: **LG ELECTRONICS INC.**, Seoul  
(KR)

See application file for complete search history.

(72) Inventors: **Wuram Choi**, Seoul (KR); **Jonggil Pyo**, Seoul (KR)

(56) **References Cited**

(73) Assignee: **LG ELECTRONICS INC.**, Seoul  
(KR)

U.S. PATENT DOCUMENTS

(\*) Notice: This patent is subject to a terminal disclaimer.

D323,338 S \* 1/1992 Court ..... 160/24  
D414,678 S \* 10/1999 Sanders ..... D8/354

(Continued)

(\*\*) Term: **15 Years**

FOREIGN PATENT DOCUMENTS

(21) Appl. No.: **29/730,804**

KR 301032188.0000 \* 11/2019

(22) Filed: **Apr. 8, 2020**

OTHER PUBLICATIONS

(30) **Foreign Application Priority Data**

LG Rollable display YouTube <https://www.youtube.com/watch?v=iyZD9RaYek> Jan. 7, 2019 (Year: 2019).\*

Nov. 20, 2019 (KR) ..... 30-2019-0055660

(51) **LOC (13) Cl.** ..... **14-03**

(52) **U.S. Cl.**

*Primary Examiner* — Leanne Was-Englehart

USPC ..... **D14/126**

(74) *Attorney, Agent, or Firm* — Birch, Stewart, Kolasch & Birch, LLP

(58) **Field of Classification Search**

(57) **CLAIM**

USPC ..... D14/125–138, 138 AD, 138 G, 138 R,  
D14/204, 239, 248, 314–316, 322, 326,  
D14/334–336, 339, 340, 345, 341, 371,  
D14/373–377, 448–450, 342, 439, 440,  
D14/451; D20/42, 43; D21/324, 329,  
D21/332, 515; D6/300, 308, 310, 314,  
D6/320, 332, 553, 642–643, 650.1,  
D6/653.15, 654.15, 657, 661, 675;  
D16/229, 235, 241; D8/349, 354, 355

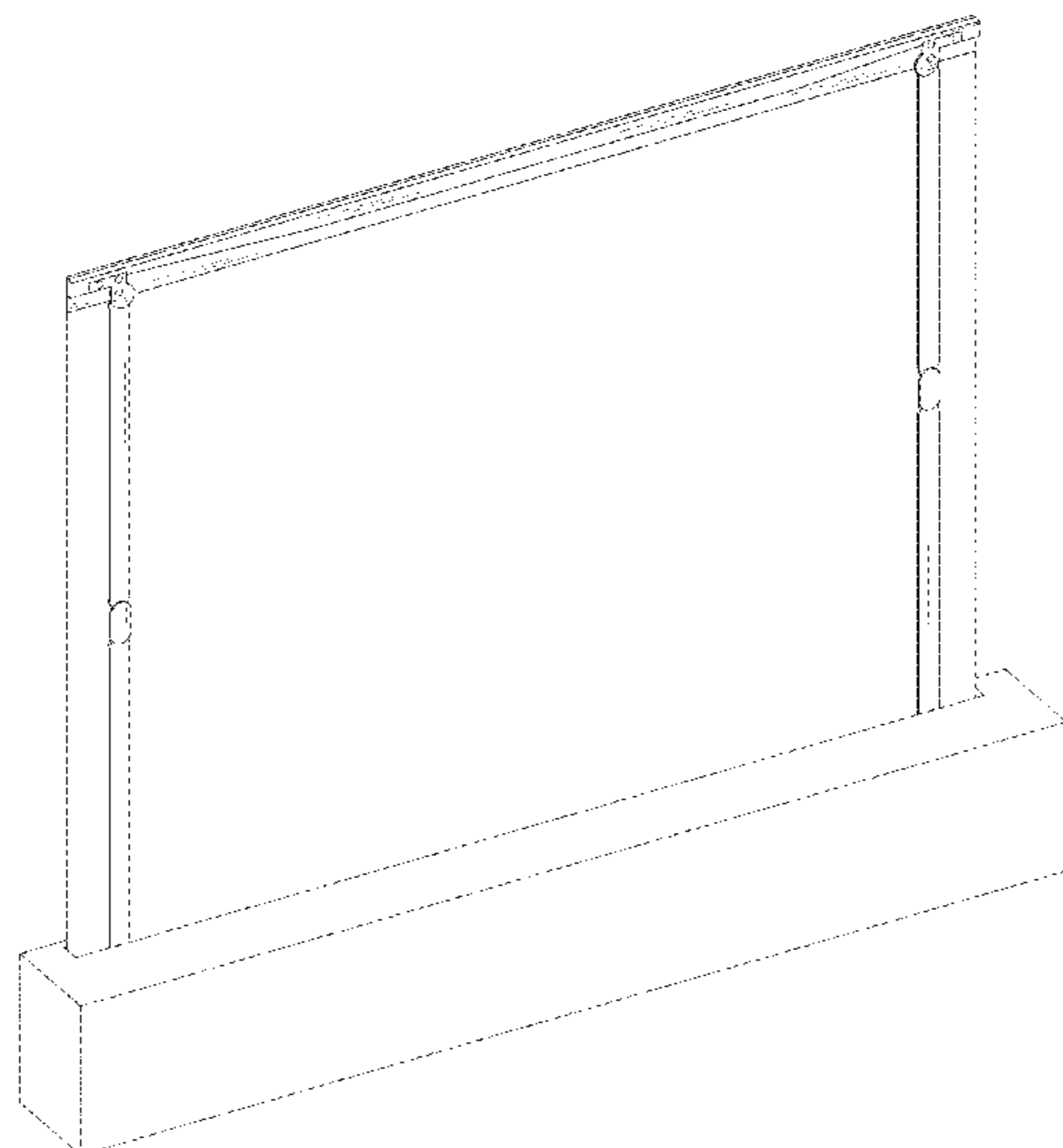
We claim the ornamental design for a television receiver, as shown and described.

CPC ..... A47G 1/1686; B66D 3/18; G03B 21/58;  
G03B 21/56; G03B 21/60; G09F  
15/0025; G09F 7/18; G09F 9/301; G09G  
3/3225; G06F 1/16; G06F 1/1601; G06F  
1/1637; G06F 1/1647; G06F 1/1605;  
G06F 1/162; G06F 1/1652; G06F 1/69;  
G06F 1/1615; H05K 5/0204; H05K  
5/0017; H05K 5/0217; H05K 5/00; H05K  
5/0004; H05K 5/02; H05K 5/03; H05K  
7/00; H05K 7/14; H05K 7/18; H04N

**DESCRIPTION**

FIG. 1 is a front perspective view of a television receiver, showing the new design;  
FIG. 2 is a front elevation view thereof;  
FIG. 3 is a rear elevation view thereof;  
FIG. 4 is a left side elevation view thereof;  
FIG. 5 is a right side elevation view thereof;  
FIG. 6 is a top plan view thereof; and,  
FIG. 7 is a bottom plan view thereof.  
The broken lines depict portions of the television receiver in which the design is embodied that form no part of the claimed design.

**1 Claim, 7 Drawing Sheets**



(56)

References Cited

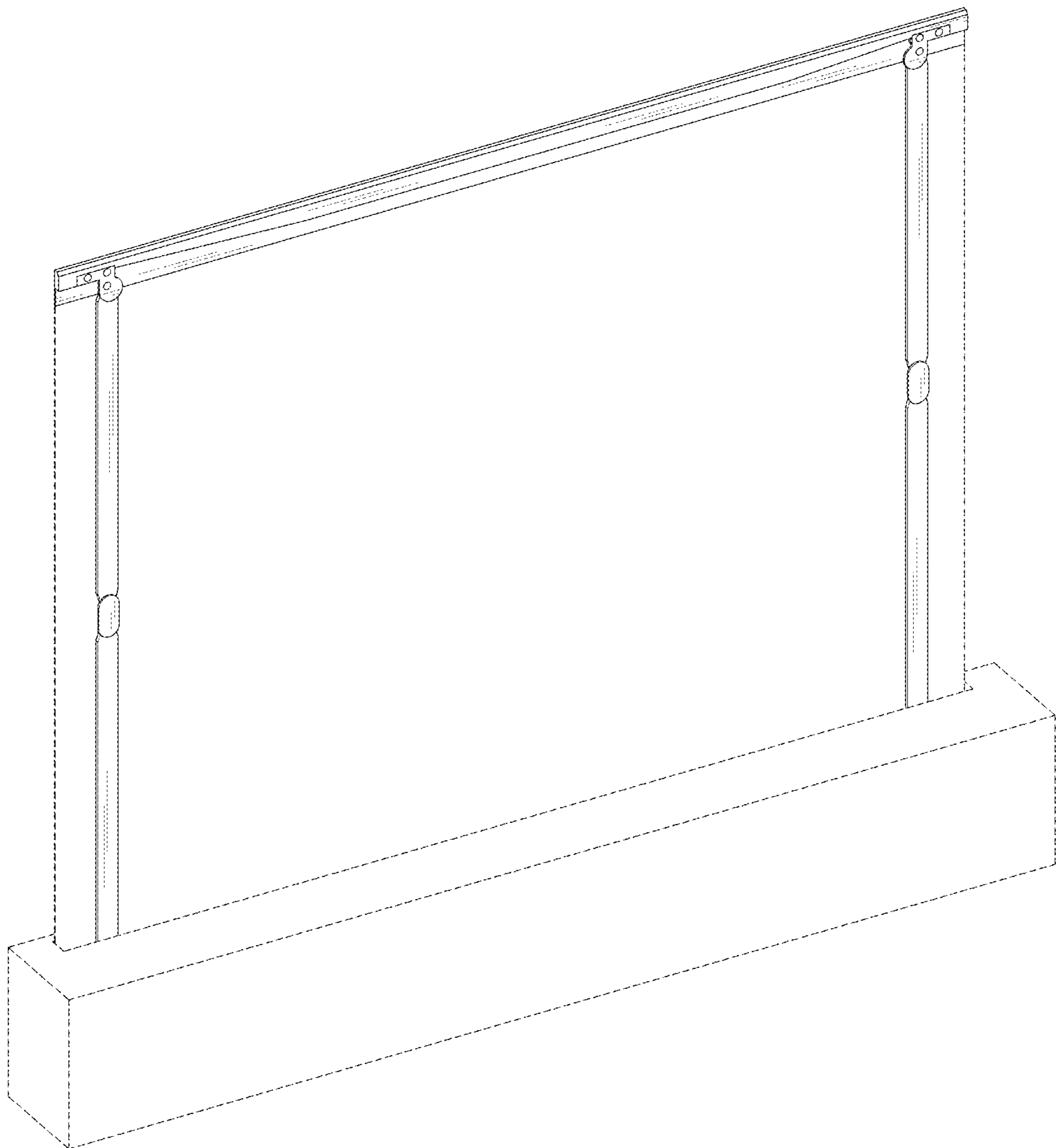
U.S. PATENT DOCUMENTS

D607,034 S \* 12/2009 Adams ..... D16/241  
D650,765 S \* 12/2011 Ho ..... D14/126  
8,274,737 B2 \* 9/2012 Wang ..... G03B 21/58  
359/461  
D776,072 S \* 1/2017 Kim ..... D14/126  
D776,631 S \* 1/2017 Kim ..... D14/126  
D783,553 S \* 4/2017 Kim ..... D14/126  
D785,582 S \* 5/2017 Lee ..... D14/126  
9,756,757 B2 \* 9/2017 Park ..... H05K 5/0017  
D807,844 S \* 1/2018 Kim ..... D14/126  
D813,832 S \* 3/2018 Kim ..... D14/126  
D818,977 S \* 5/2018 Kim ..... D14/126  
10,534,402 B1 \* 1/2020 Kim ..... G06F 1/1652  
D875,698 S \* 2/2020 Kang ..... D14/126  
D896,193 S \* 9/2020 Cha ..... D14/126  
D901,408 S \* 11/2020 Kim ..... D14/126  
D901,409 S \* 11/2020 Kim ..... D14/126

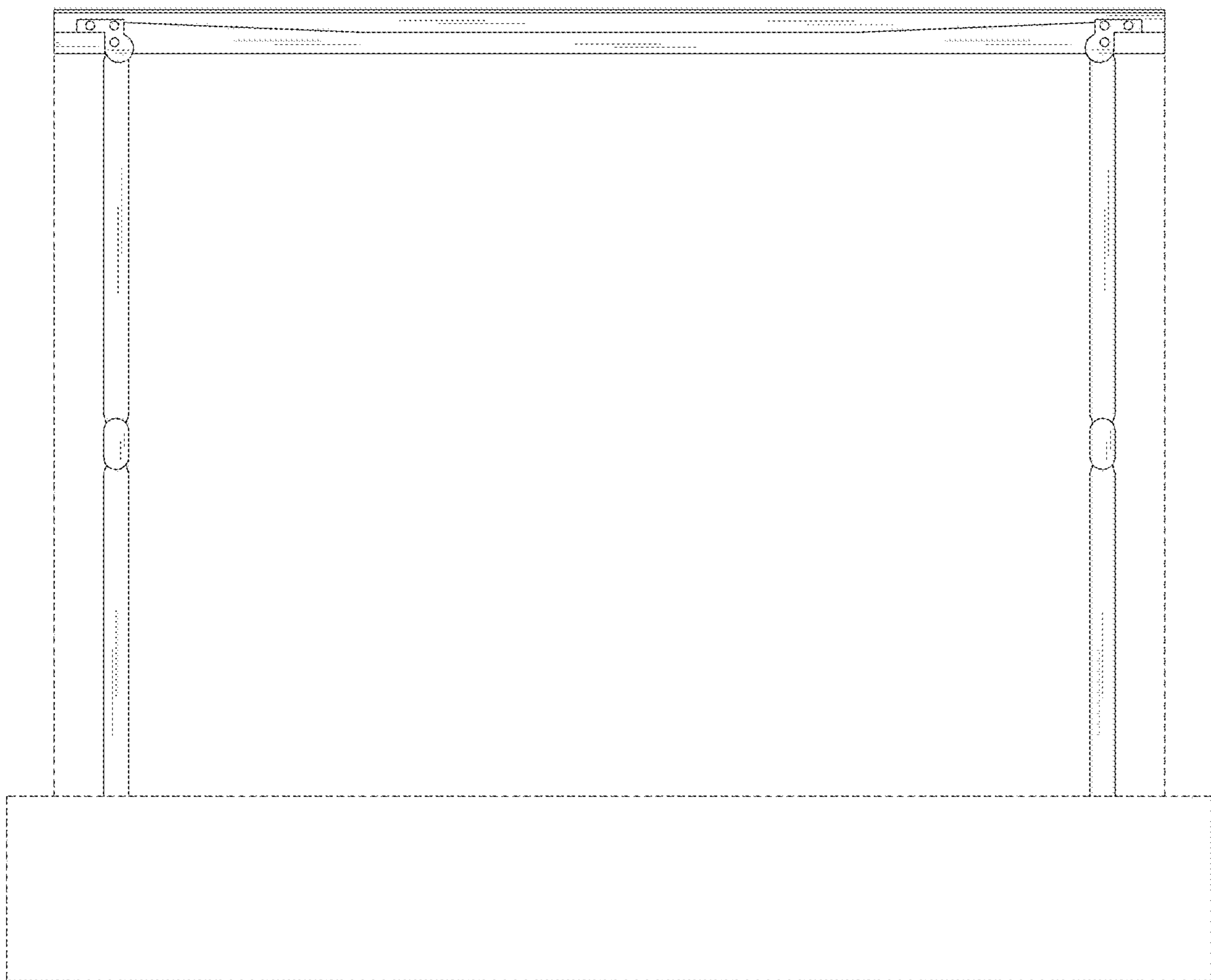
D901,410 S \* 11/2020 Kim ..... D14/126  
D901,411 S \* 11/2020 Kim ..... D14/126  
D912,637 S \* 3/2021 Lee ..... D14/126  
D924,666 S \* 7/2021 Brown ..... D8/349  
D927,440 S \* 8/2021 Choi ..... D14/126  
D933,620 S \* 10/2021 Kim ..... D14/126  
D934,824 S \* 11/2021 Jin ..... D14/126  
D934,825 S \* 11/2021 Pyo ..... D14/126  
2006/0279840 A1 \* 12/2006 Yamauchi ..... G03B 21/56  
359/461  
2007/0121209 A1 \* 5/2007 Liang ..... G03B 21/58  
359/461  
2012/0140318 A1 \* 6/2012 Wang ..... G03B 21/58  
359/443  
2020/0035133 A1 \* 1/2020 Pyo ..... G09F 9/301  
2021/0056874 A1 \* 2/2021 Morin ..... F16M 11/18  
2021/0090476 A1 \* 3/2021 Kang ..... G09F 9/301  
2021/0158727 A1 \* 5/2021 Choi ..... G02F 1/133305  
2021/0201715 A1 \* 7/2021 Choi ..... G06F 1/1652

\* cited by examiner

*FIG. 1*



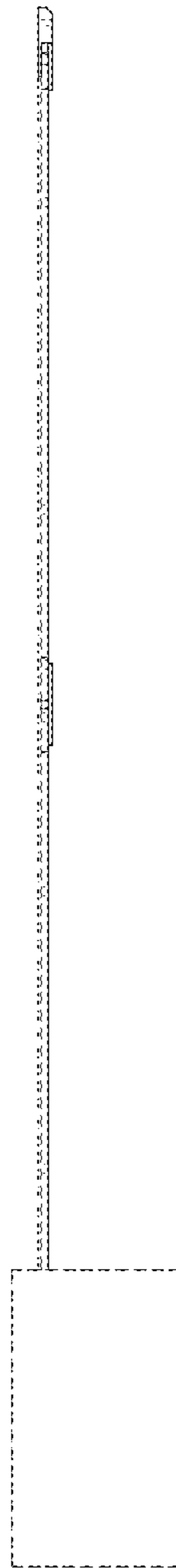
*FIG. 2*



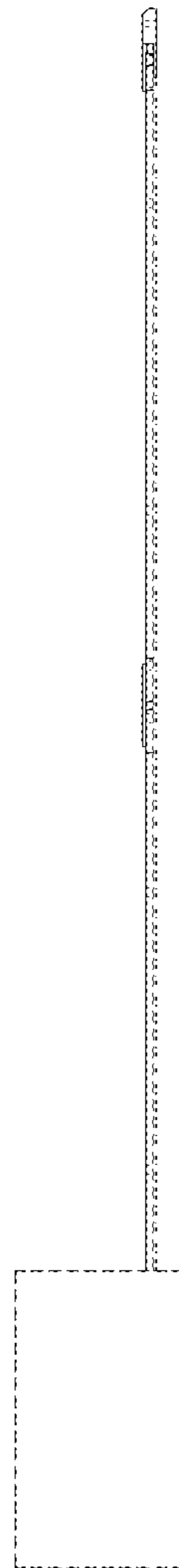
*FIG. 3*



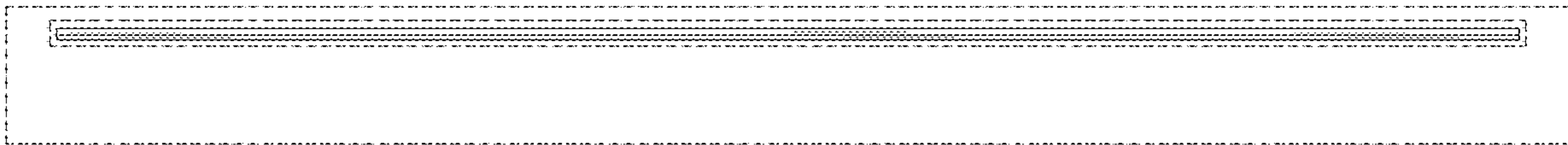
*FIG. 4*



*FIG. 5*



*FIG. 6*





***FIG. 7***

