



US00D952586S

(12) **United States Design Patent**
Vancraybex

(10) **Patent No.:** **US D952,586 S**

(45) **Date of Patent:** **** May 24, 2022**

(54) **CONNECTION HUB**

(71) Applicant: **Total Safety U.S., Inc.**, Houston, TX
(US)

(72) Inventor: **Gunter Jano Emiel Vancraybex**,
Bilzen (BE)

(73) Assignee: **Total Safety U.S., Inc.**, Houston, TX
(US)

(**) Term: **15 Years**

(21) Appl. No.: **29/724,842**

(22) Filed: **Feb. 19, 2020**

(51) **LOC (13) Cl.** **13-03**

(52) **U.S. Cl.**

USPC **D13/184**; D14/240

(58) **Field of Classification Search**

USPC D13/123, 133, 158, 162, 184, 199;
D14/140.1, 140.2, 240, 242, 256, 358,
D14/433

CPC H04N 21/436; H04N 21/43615; H04R
29/007; H05K 5/00; H05K 5/0017; H05K
5/1462

See application file for complete search history.

(56) **References Cited**

U.S. PATENT DOCUMENTS

- D390,235 S * 2/1998 Tucker D13/184
- D399,190 S * 10/1998 Dale D13/184
- D466,864 S * 12/2002 Duggan D13/123
- 6,510,226 B1 * 1/2003 Thomann H04Q 1/035
379/413.04
- D499,069 S * 11/2004 Stanush D13/152

(Continued)

Primary Examiner — Selina Sikder

(74) *Attorney, Agent, or Firm* — Ferguson Braswell
Fraser Kubasta PC

(57) **CLAIM**

The ornamental design for a connection hub, as shown and described.

DESCRIPTION

FIG. 1 is a top down left perspective view of the connection hub with handle down and hooks detached according to an embodiment.

FIG. 2 is a top down right perspective view of the connection hub with handle down and hooks detached according to an embodiment.

FIG. 3 is a front side view of the connection hub with handle down and hooks detached according to an embodiment.

FIG. 4 is a back side view of the connection hub with handle down and hooks detached according to an embodiment.

FIG. 5 is a left side view of the connection hub with the handle down and hooks detached according to an embodiment.

FIG. 6 is a right side view of the connection hub with the handle down and hooks detached according to an embodiment.

FIG. 7 is a top down view of the connection hub with the handle down and hooks detached according to an embodiment.

FIG. 8 is a bottom up view of the connection hub according to an embodiment.

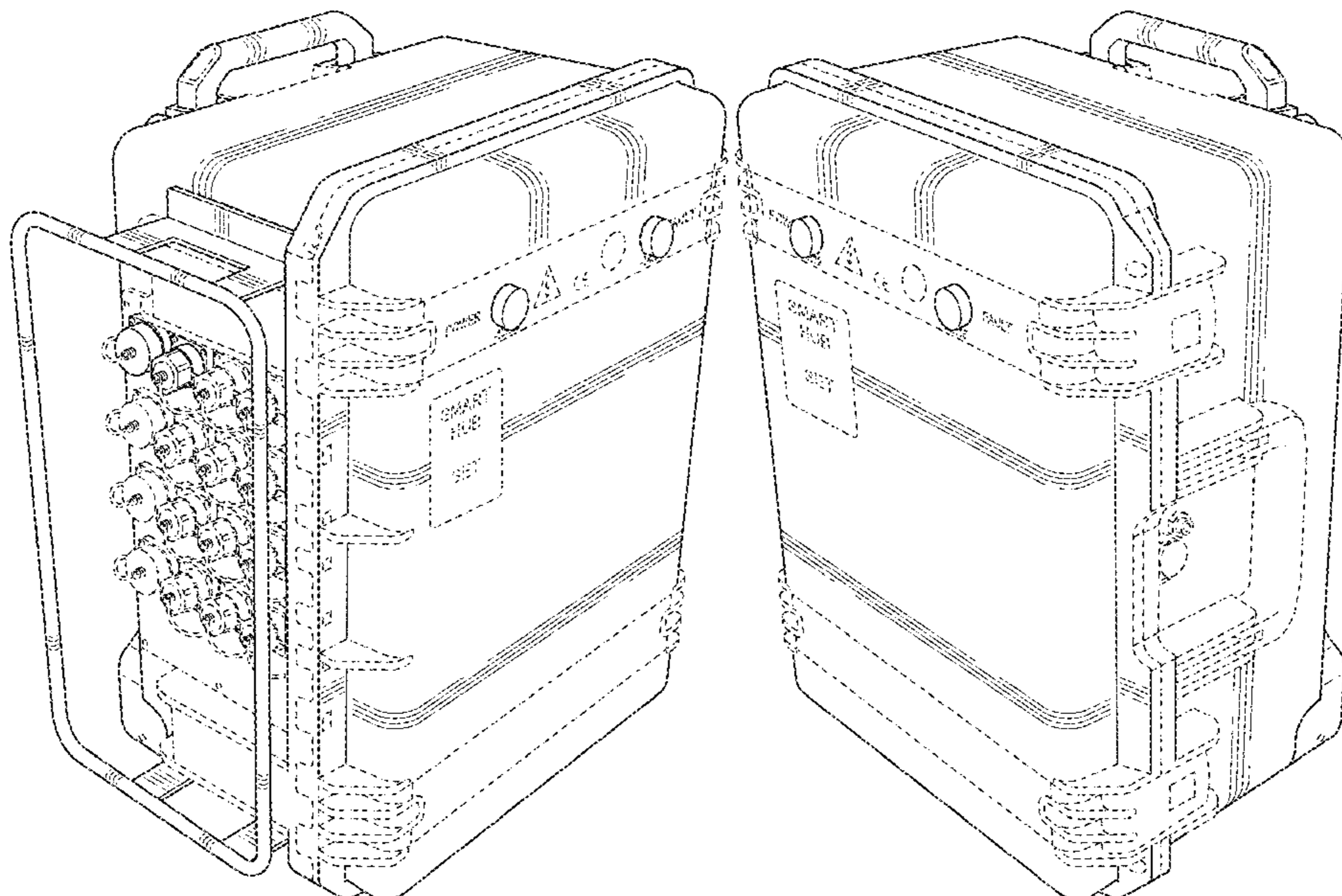
FIG. 9 is a left side view of the connection hub with the handle up and the hooks attached according to an embodiment; and,

FIG. 10 is a back view of the connection hub with the handle up and the hooks attached according to an embodiment.

The broken lines are for the purpose of illustrating portions of the article and form no part of the claimed design.

The thin, black lines show contour of the surfaces of the connection hub, and are not shading or actual lines on the connection hub.

1 Claim, 10 Drawing Sheets



(56)

References Cited

U.S. PATENT DOCUMENTS

D593,970	S	*	6/2009	Sonntag	D13/184
D643,376	S	*	8/2011	Naumann	D13/160
D750,561	S	*	3/2016	Ravi	D13/123
D810,078	S	*	2/2018	Kikuchi	D14/358
D937,788	S	*	12/2021	Doyle	D13/162
2020/0019791	A1	*	1/2020	Vancraybex	H04N 7/181

* cited by examiner

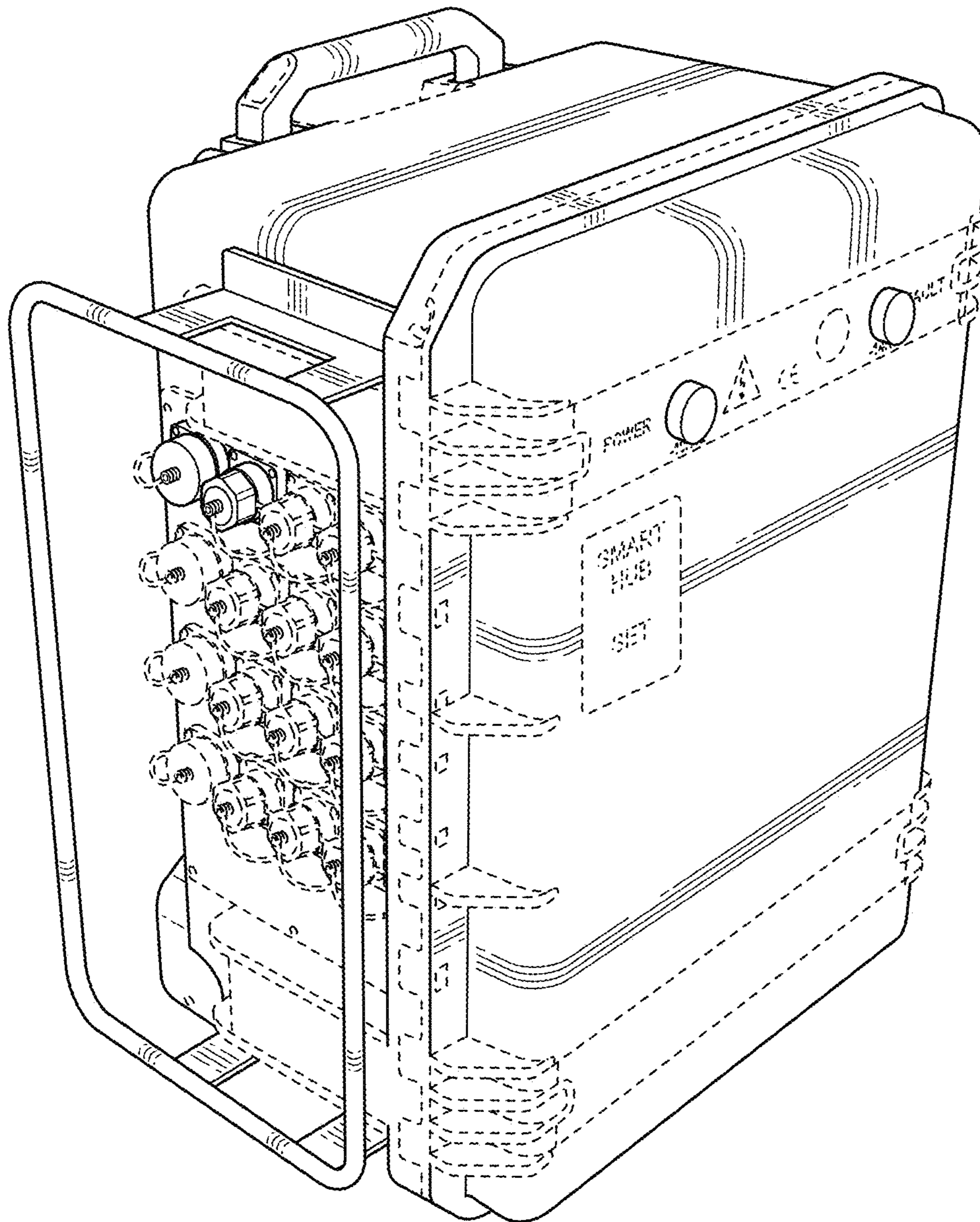


FIG. 1

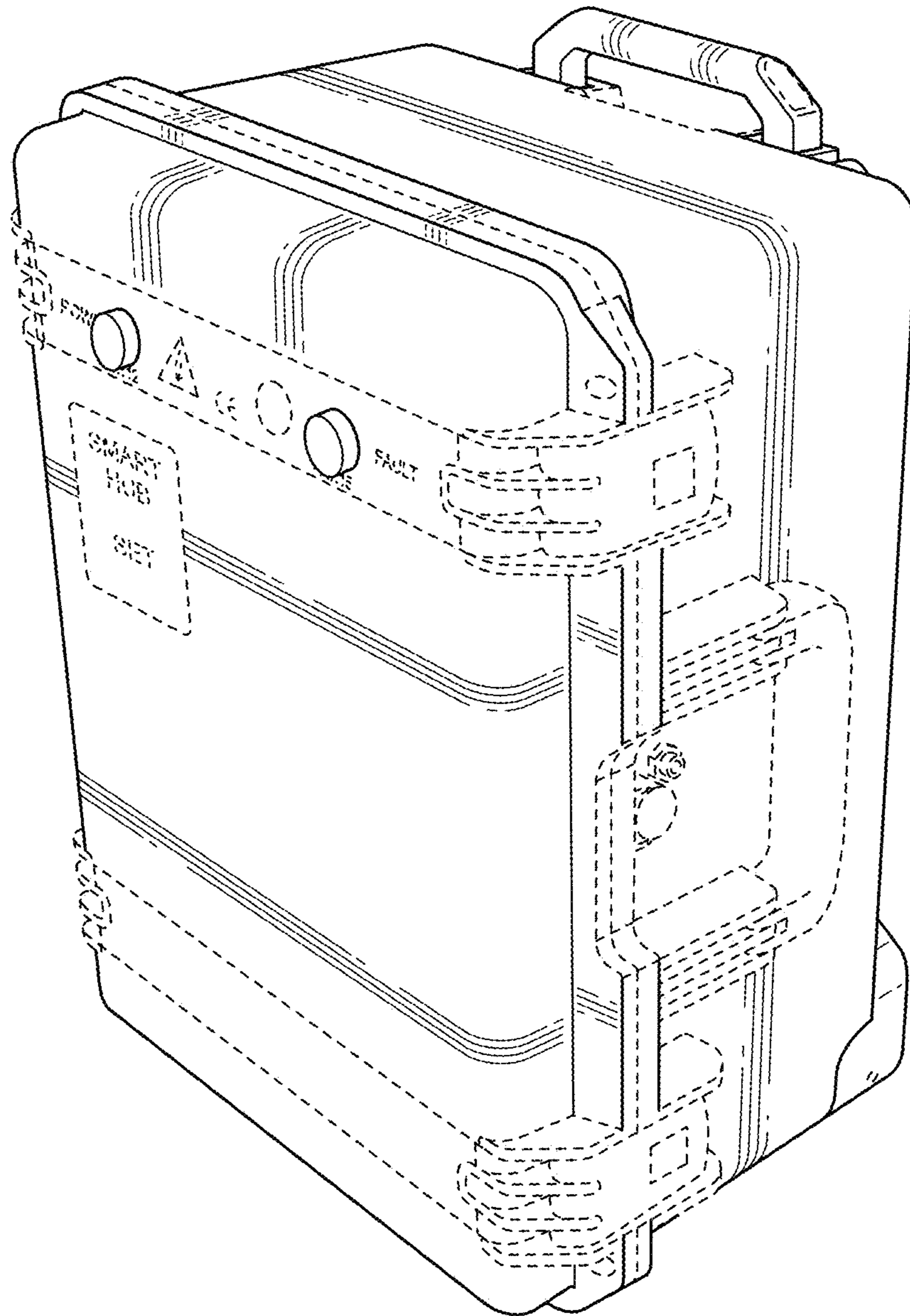


FIG. 2

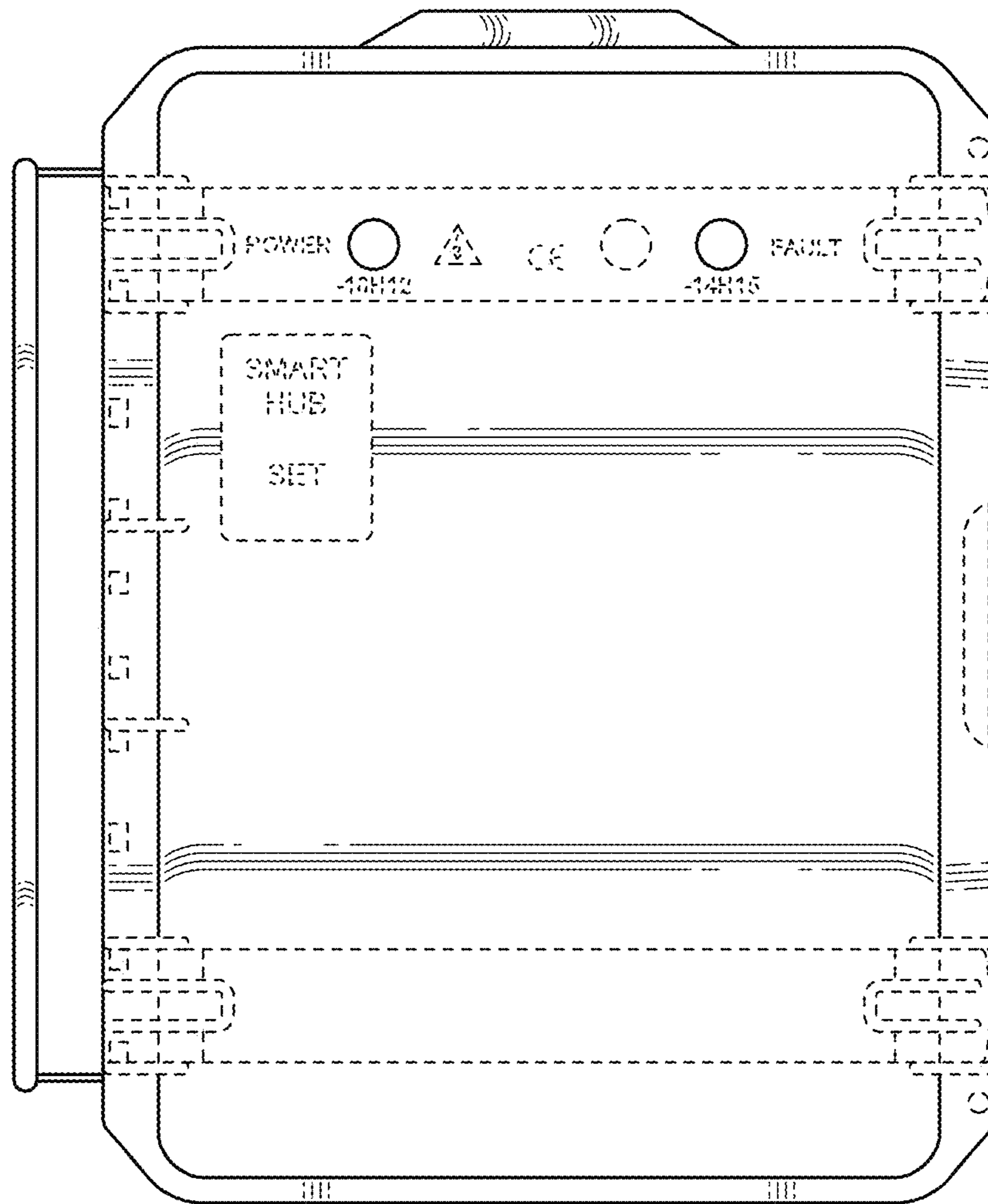


FIG. 3

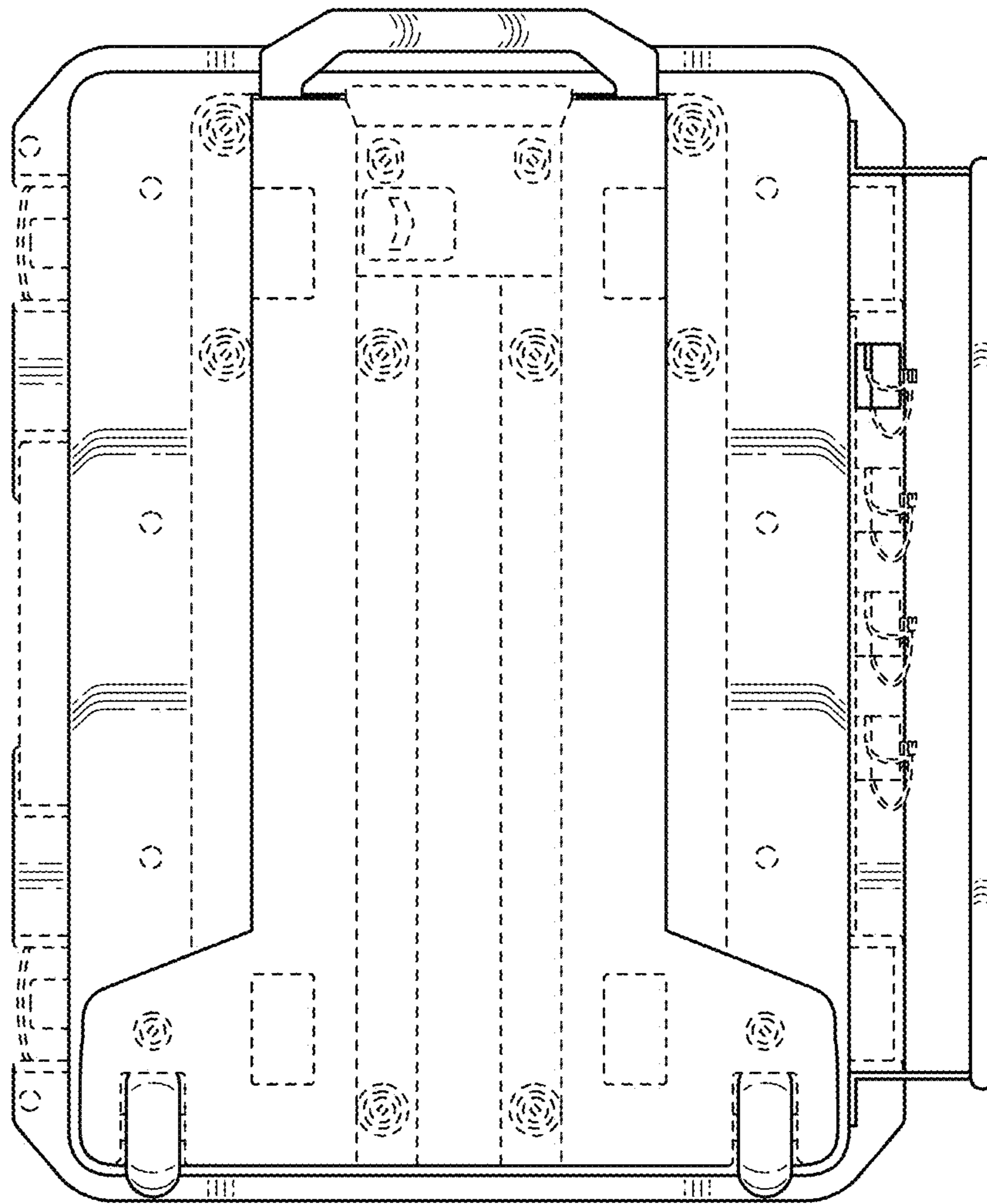


FIG. 4

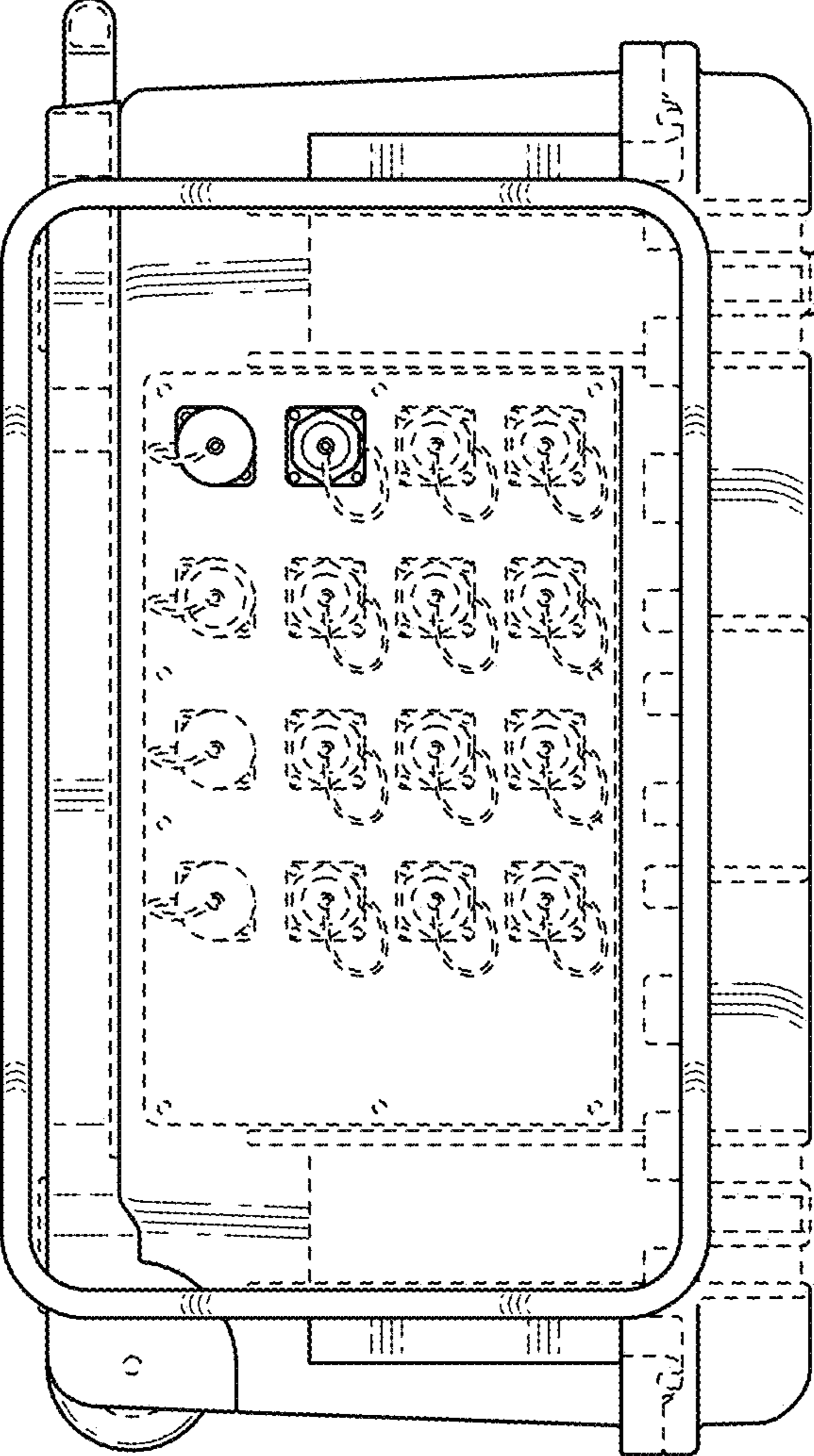


FIG. 5

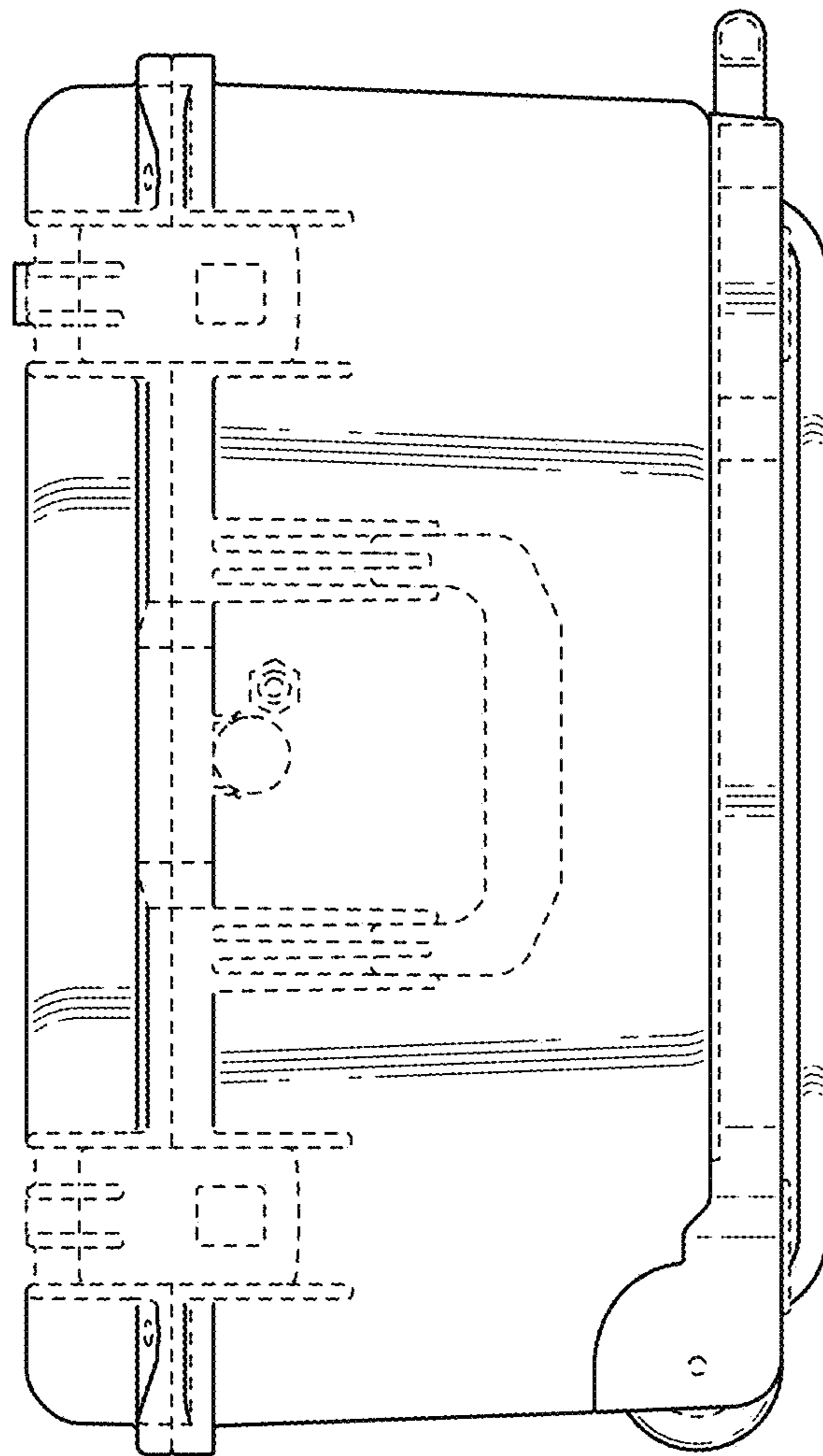


FIG. 6

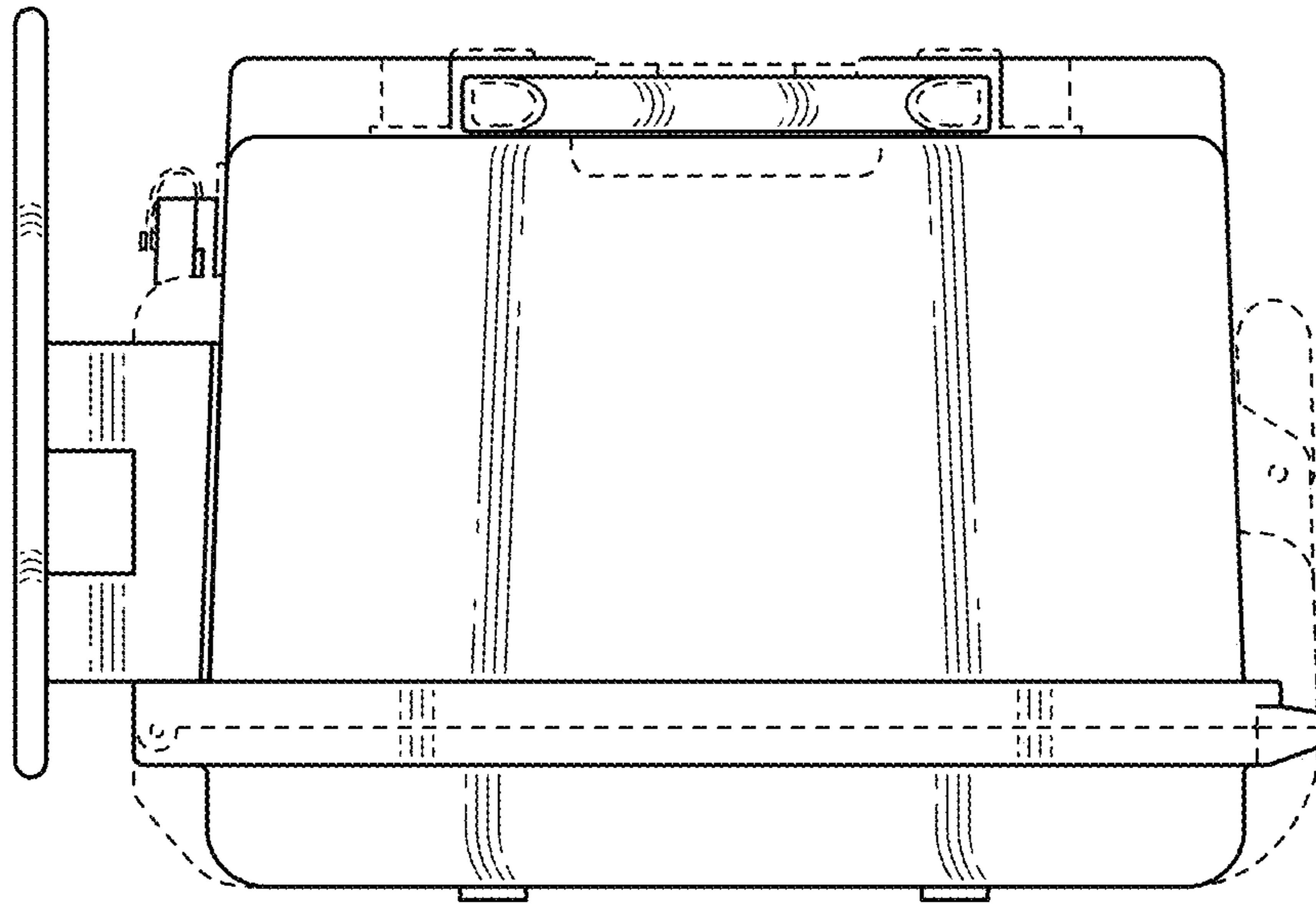


FIG. 7

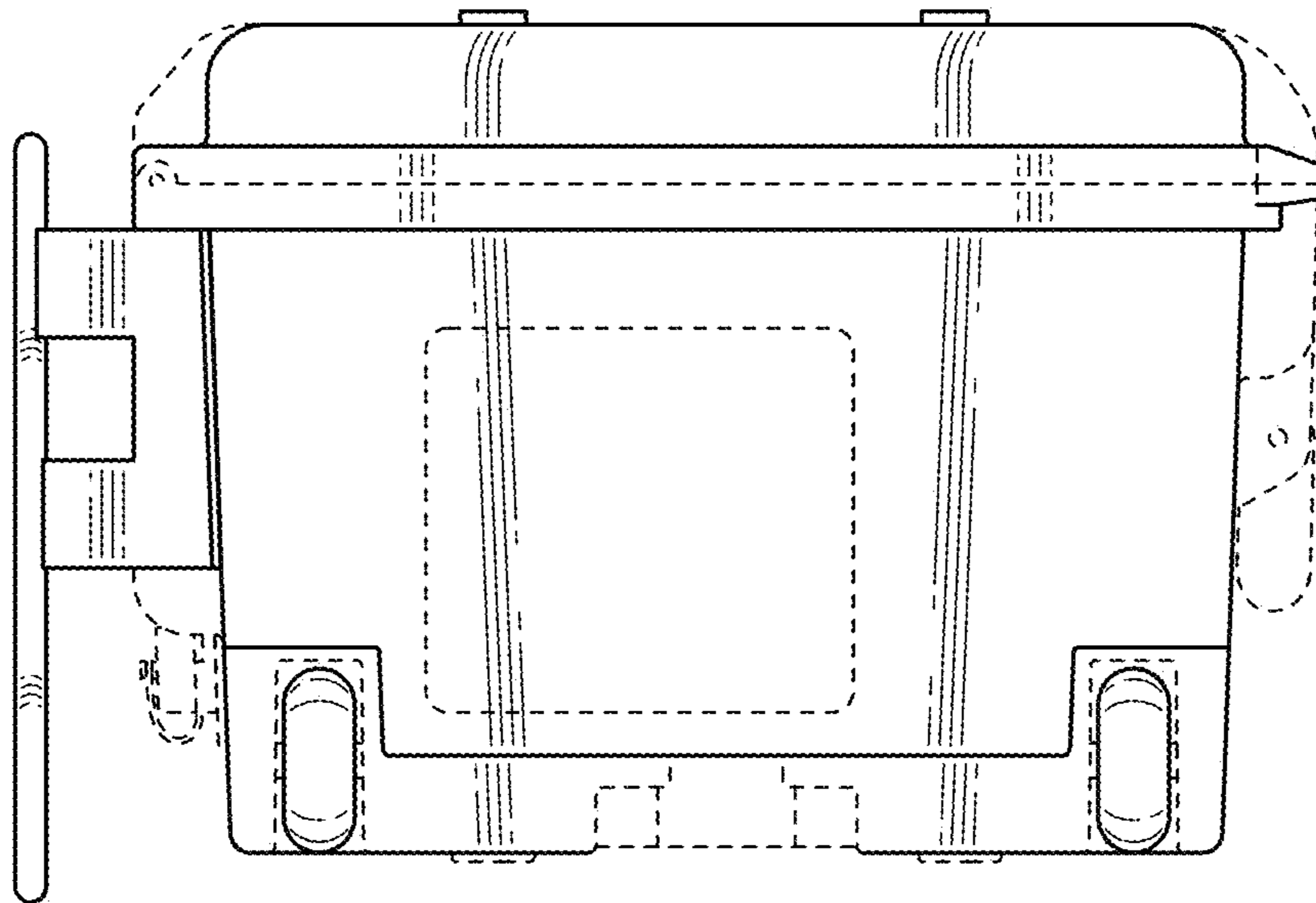


FIG. 8

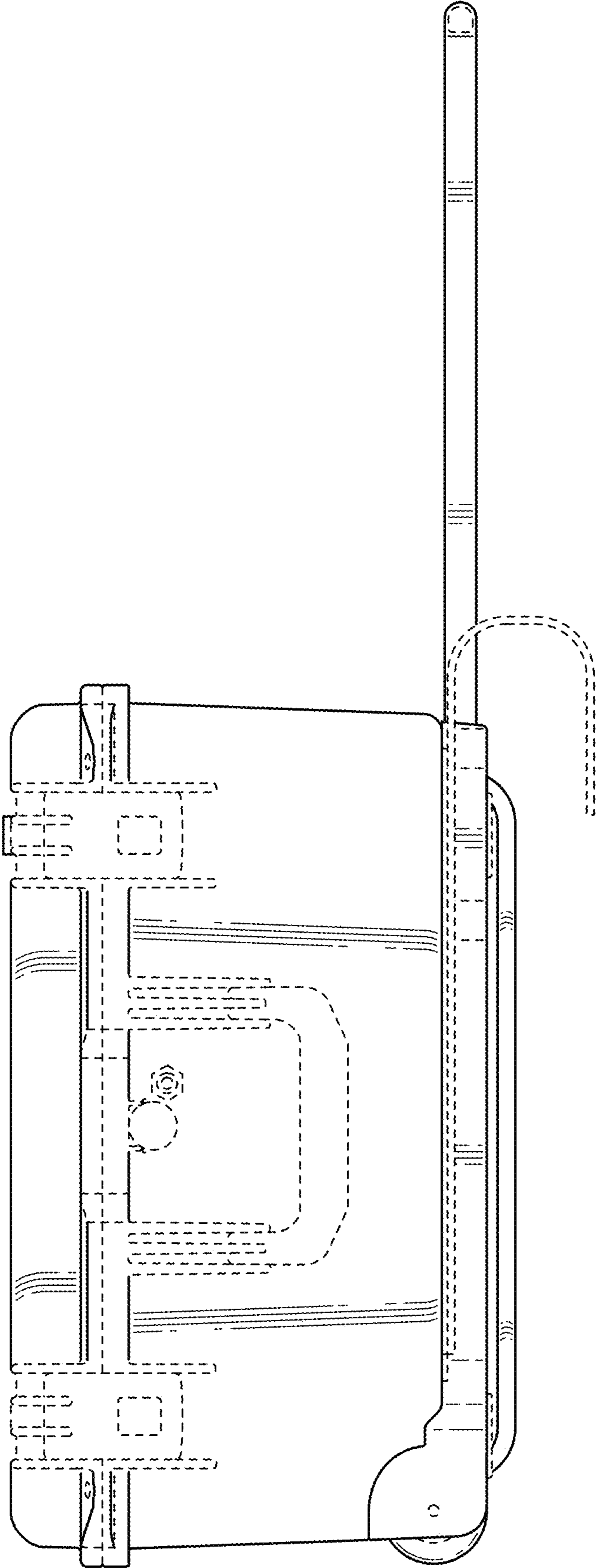


FIG. 9

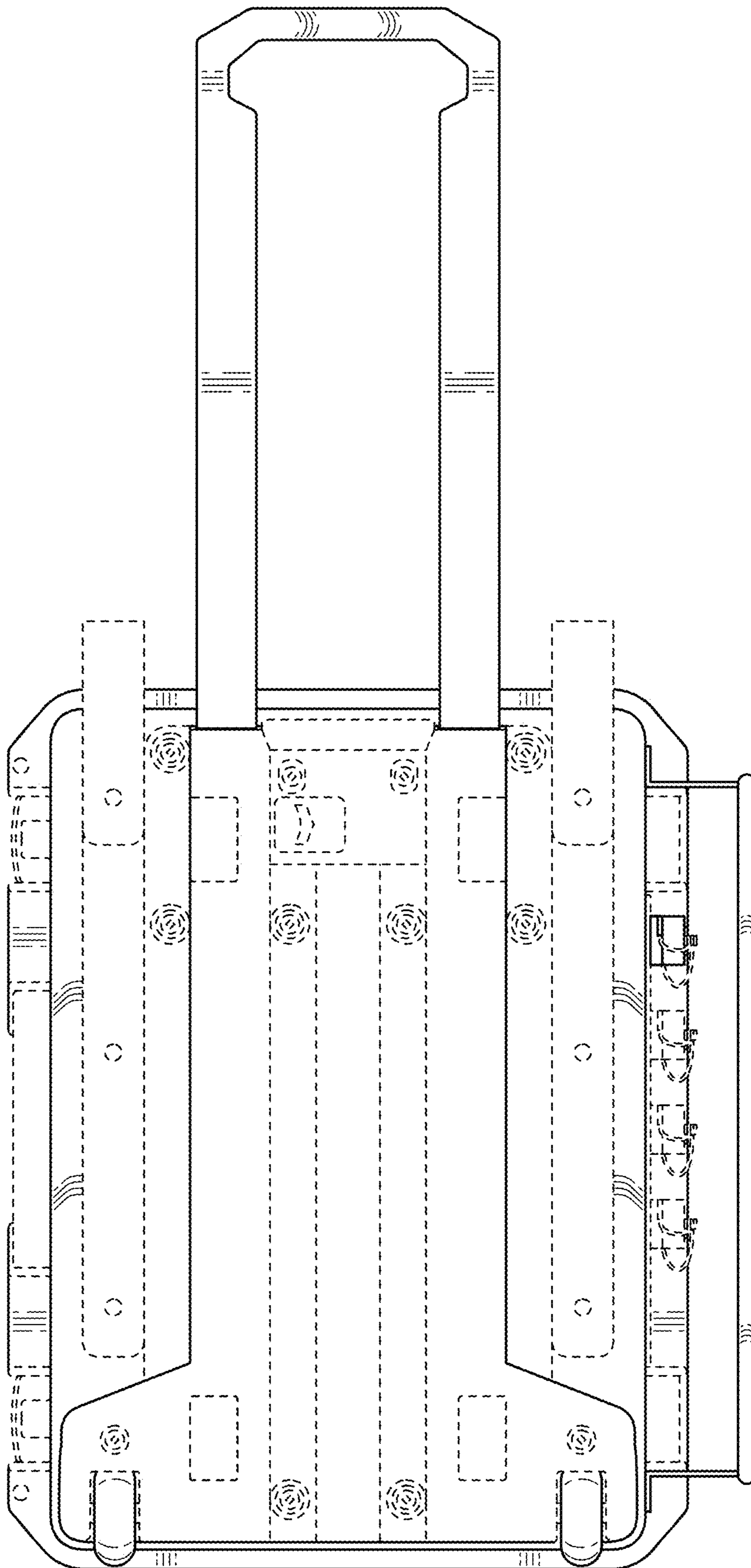


FIG. 10