



US00D952585S

(12) **United States Design Patent**
Huang

(10) **Patent No.:** **US D952,585 S**

(45) **Date of Patent:** **** May 24, 2022**

(54) **VAPOR CHAMBER**

OTHER PUBLICATIONS

(71) Applicant: **DYNATRON CORPORATION**, Union City, CA (US)

Amazon, "Dynatron N8 Cooper Lake, Ice Lake LGA 4189 2U Passive CPU Cooler" First for sale Oct. 29, 2020. (<https://www.amazon.com/Dynatron-Cooper-Lake-Passive-Cooler/dp/B08M6JB7TB>) (Year: 2020).*

(72) Inventor: **Tai-Chi Huang**, Taipei (TW)

Amazon, "Dynatron A31 AMD EPYC . . . ", First on sale Feb. 20, 2018. (<https://www.amazon.com/Dynatron-A31-Heatsink-Aluminum-Exhausting/dp/B079YJ8KKV>) (Year: 2018).*

(73) Assignee: **DYNATRON CORPORATION**, Union City, CA (US)

(**) Term: **15 Years**

* cited by examiner

(21) Appl. No.: **29/728,037**

Primary Examiner — April Rivas

(22) Filed: **Mar. 16, 2020**

(74) *Attorney, Agent, or Firm* — Muncy, Geissler, Olds & Lowe, P.C.

(51) **LOC (13) Cl.** **13-03**

(52) **U.S. Cl.**
USPC **D13/179**

(57) **CLAIM**

(58) **Field of Classification Search**
USPC D13/179, 182.184; D23/231, 371, 387, D23/370; D14/230
CPC . H01Q 1/428; H01Q 1/02; H01Q 1/38; H01L 23/367; H01L 23/3672; H05K 7/20254; F28F 3/022; F28F 3/04; F28F 21/065; G02B 1/111; F28D 15/0275; F28D 15/046; F04D 29/281
See application file for complete search history.

The ornamental design for the vapor chamber, as shown and described.

DESCRIPTION

(56) **References Cited**

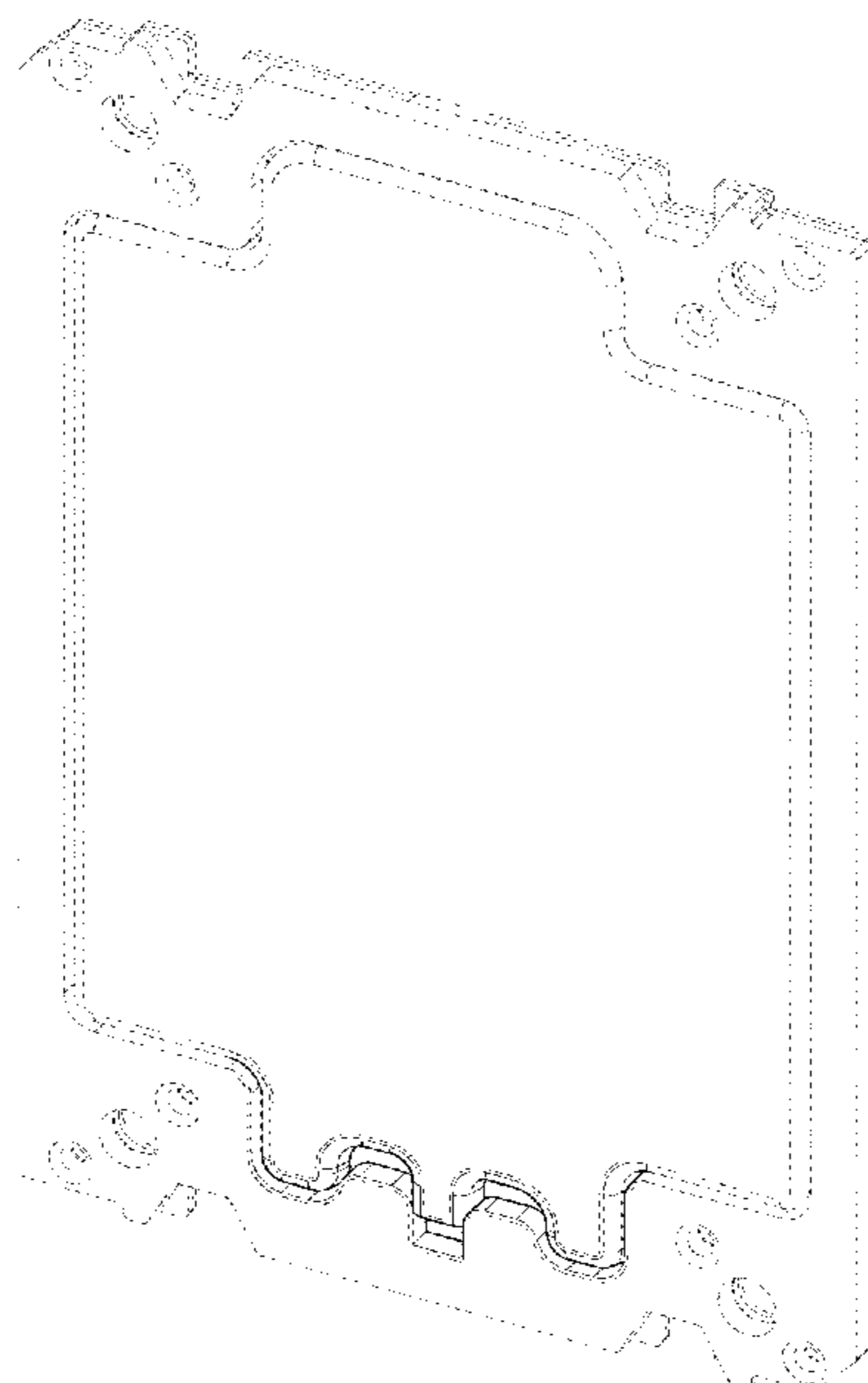
U.S. PATENT DOCUMENTS

D822,629	S	*	7/2018	Kimura	D13/182
D845,921	S	*	4/2019	Saito	D13/182
D892,754	S	*	8/2020	Beckedahl	D13/182
D903,611	S	*	12/2020	Sannai	D13/182
D909,979	S	*	2/2021	Tseng	D13/179
2016/0091259	A1	*	3/2016	Lin	F28D 15/046 165/104.26
2016/0276927	A1	*	9/2016	Das	H02M 7/003
2021/0199385	A1	*	7/2021	Guo	F28D 15/0283
2022/0057145	A1	*	2/2022	Wang	F28D 15/04

FIG. 1 is a perspective view of the vapor chamber showing my new design;
FIG. 2 is a front elevational view thereof;
FIG. 3 is a rear elevational view thereof;
FIG. 4 is a left side elevational view thereof;
FIG. 5 is a right side elevational view thereof;
FIG. 6 is a top plan view thereof;
FIG. 7 is a bottom plan view thereof;
FIG. 8 is another perspective view thereof for showing the use situation; and,
FIG. 9 is another perspective view thereof for showing the use situation.

The broken lines illustrate unclaimed features that form no part of the claimed design.

1 Claim, 7 Drawing Sheets



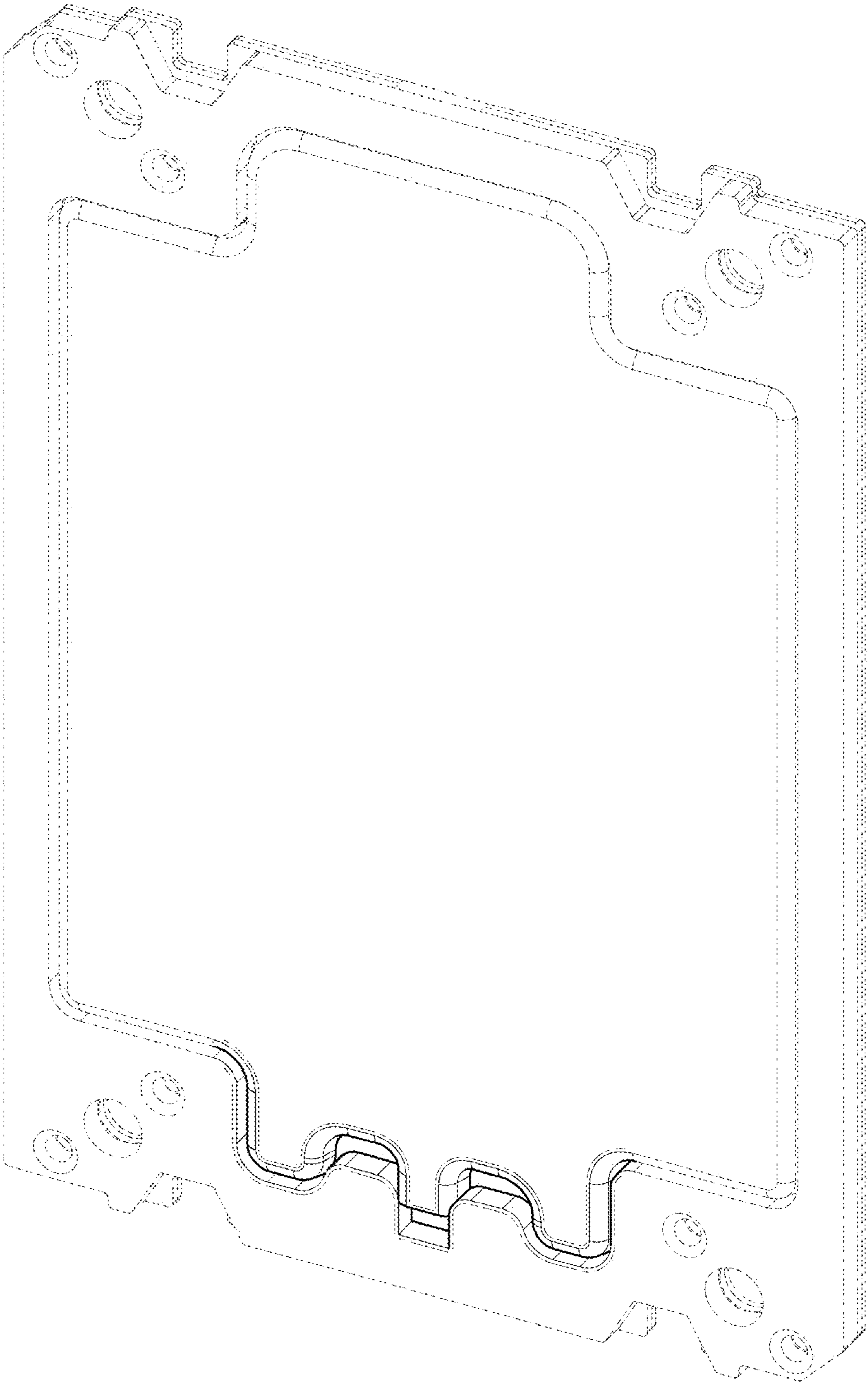


Fig. 1

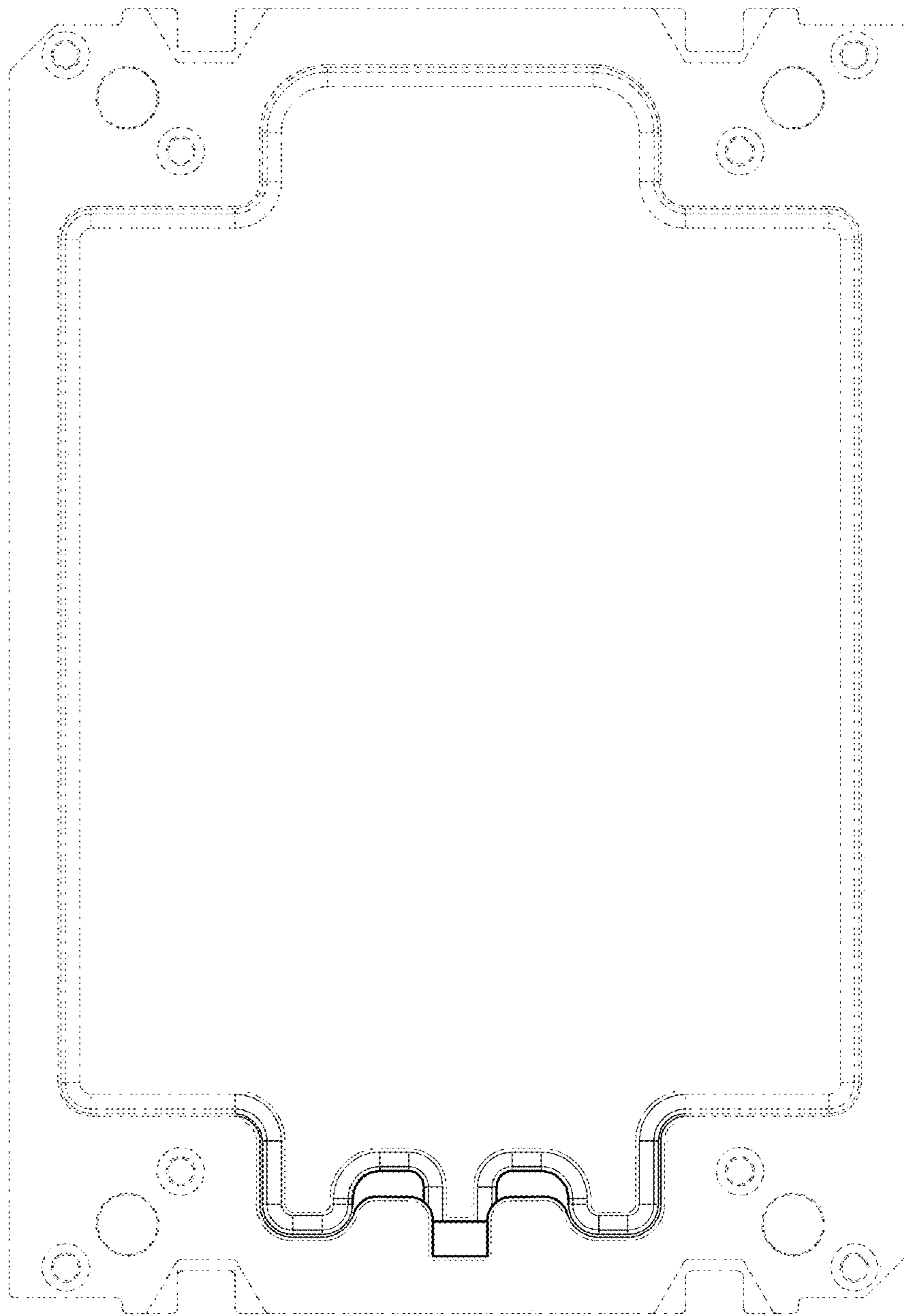


Fig. 2

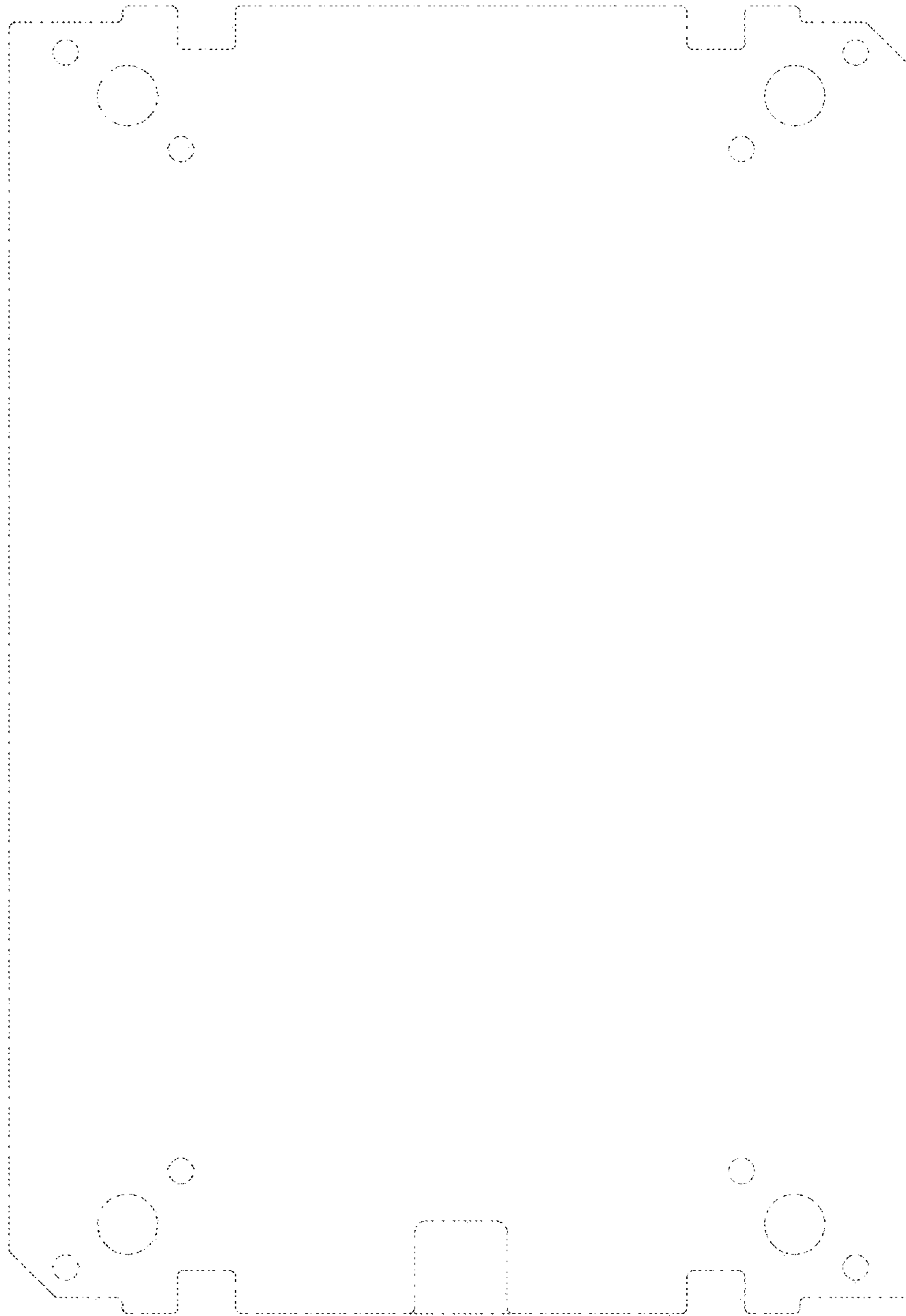


Fig. 3

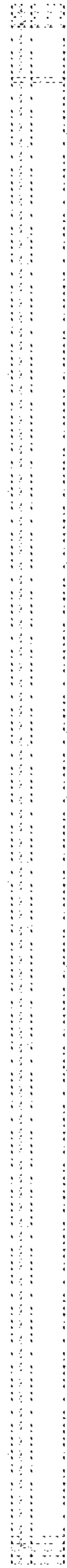


Fig. 4

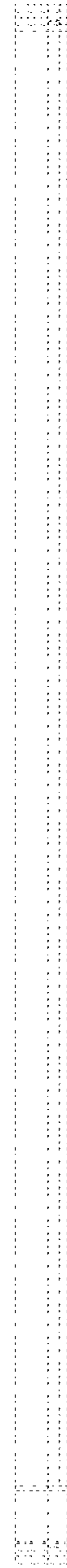


Fig. 5

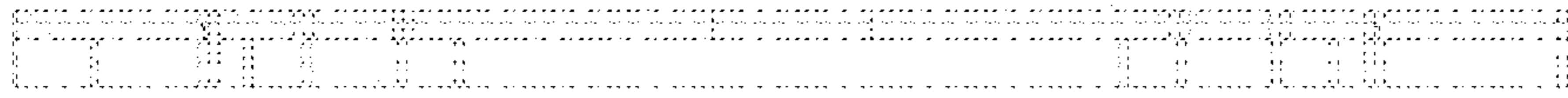


Fig. 6

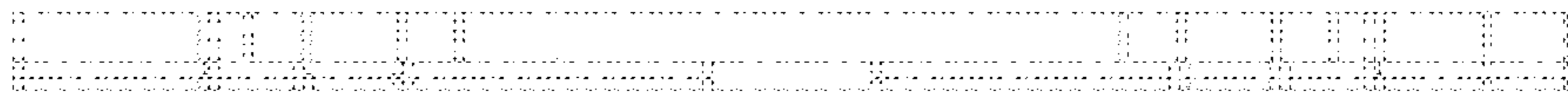


Fig. 7

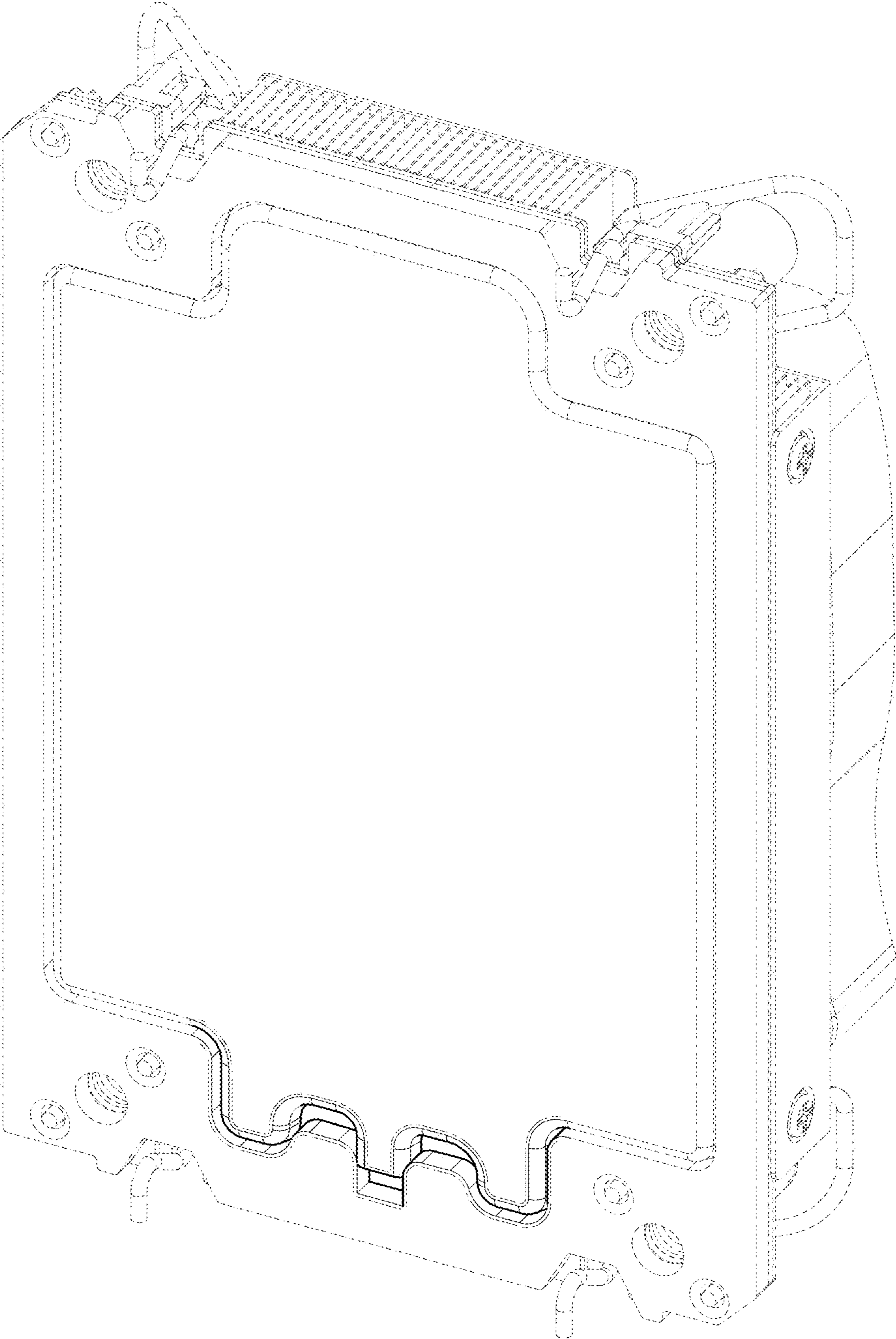


Fig. 8

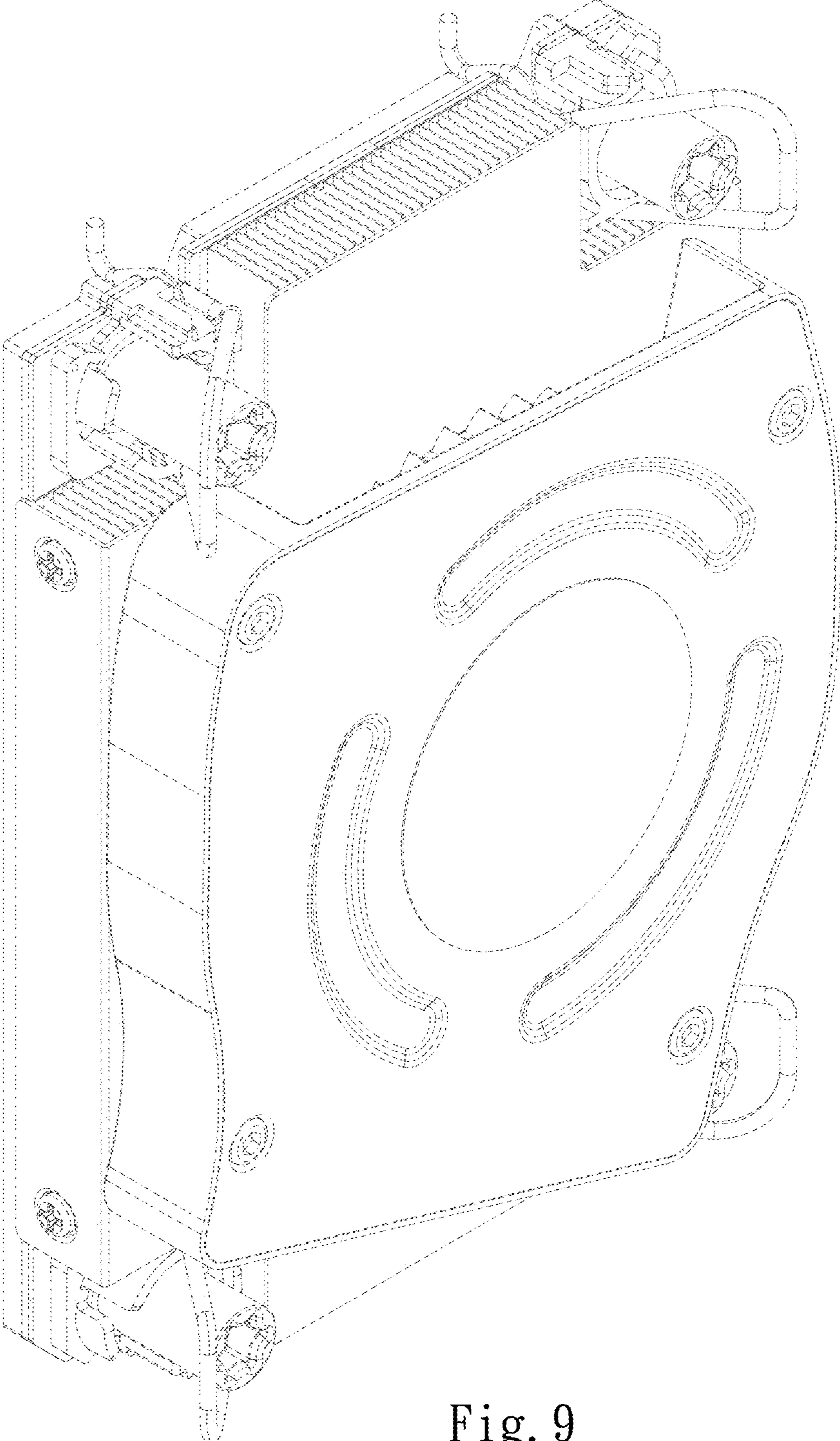


Fig. 9