



US00D952584S

(12) **United States Design Patent**
Wu et al.

(10) **Patent No.:** **US D952,584 S**
(45) **Date of Patent:** **** May 24, 2022**

- (54) **ELECTRIC SOFA CONTROLLER**
- (71) Applicant: **HUIZHOU JINLI INTELLIGENT TECHNOLOGY CO., LTD.**, Huizhou (CN)
- (72) Inventors: **Jiangnan Wu**, Shaodong (CN); **Hualong Xu**, Fuzhou (CN); **Qiaojun Wang**, Yulin (CN)
- (73) Assignee: **HUIZHOU JINLI INTELLIGENT TECHNOLOGY CO., LTD.**, Huizhou (CN)

(**) **Term:** **15 Years**

(21) **Appl. No.:** **29/761,199**

(22) **Filed:** **Dec. 8, 2020**

- (30) **Foreign Application Priority Data**
Jul. 30, 2020 (CN) 202030423294.5
- (51) **LOC (13) Cl.** **13-03**
- (52) **U.S. Cl.**
USPC **D13/171**
- (58) **Field of Classification Search**
USPC D13/162, 164, 169, 171, 174
CPC H01H 3/02; H01H 3/022; H01H 3/12; H01H 3/122; H01H 9/02; H01H 9/0235; H01H 13/023; H01H 13/04; H01H 13/06; H01H 13/063; H01H 13/10; H01H 13/12; H01H 13/14; H01H 13/36; H01H 13/70; H01H 13/86; H01H 21/24; A47C 1/0345; A47C 1/035; A47C 1/0355; A47C 7/62; A47C 7/624

See application file for complete search history.

(56) **References Cited**

U.S. PATENT DOCUMENTS

8,766,115	B2 *	7/2014	Kristen	H01H 25/065 200/5 A
D720,305	S *	12/2014	Wenji	D13/174
D733,078	S *	6/2015	Wu	D13/174
D740,238	S *	10/2015	Dorn	D13/174
D768,583	S *	10/2016	Dorn	D13/174
D782,987	S *	4/2017	Gassner	D13/171
9,804,632	B2 *	10/2017	Gassner	G05G 1/00
D818,973	S *	5/2018	Tang	D13/171
D832,801	S *	11/2018	Dorn	D13/174
D833,403	S *	11/2018	Seidl	D13/162
D930,600	S *	9/2021	Zhuang	D13/171
2011/0198894	A1 *	8/2011	Hsieh	A47C 1/0242 297/68
2014/0353134	A1 *	12/2014	Muller	H01H 3/46 200/5 A

* cited by examiner

Primary Examiner — Selina Sikder

(57) **CLAIM**

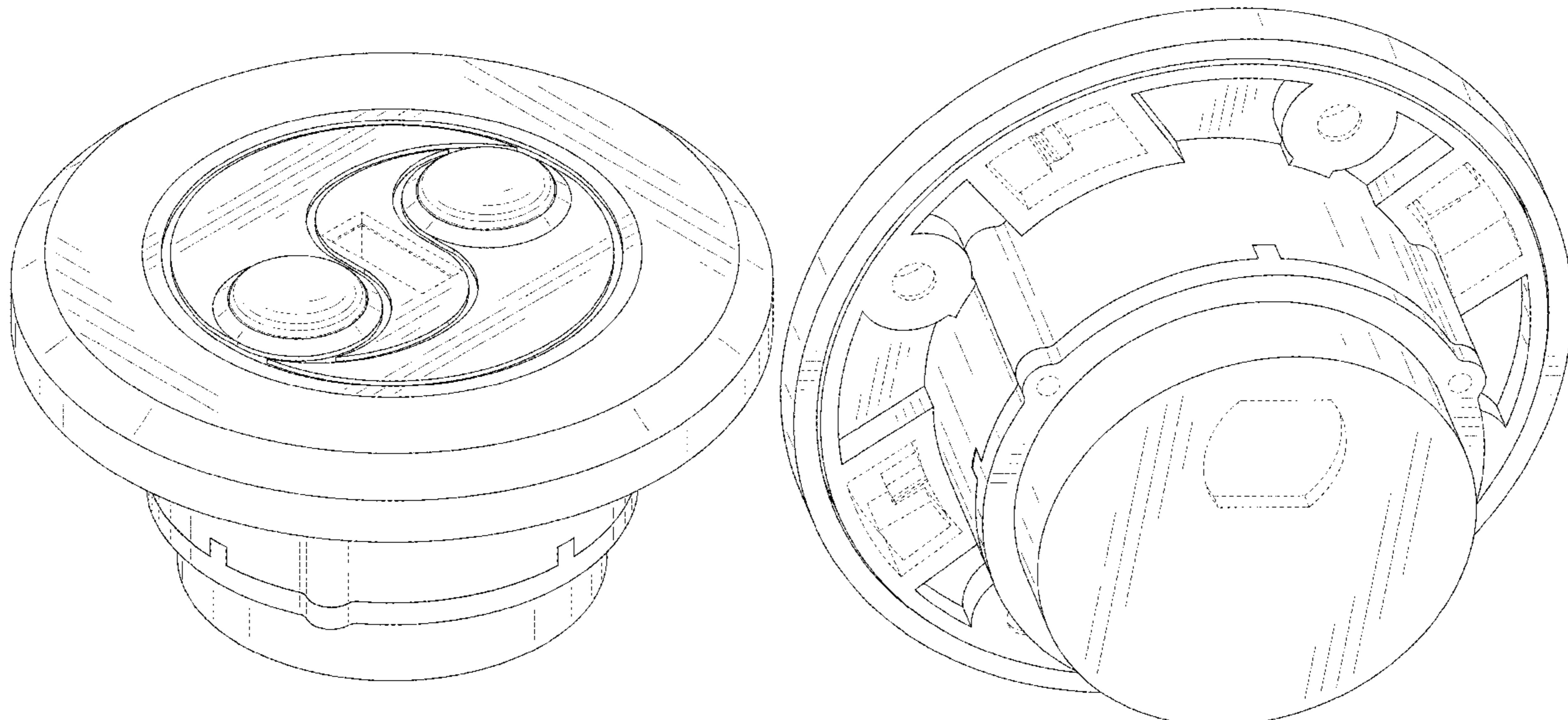
The ornamental design for an electric sofa controller, as shown and described.

DESCRIPTION

FIG. 1 is a perspective view of an electric sofa controller showing my new design;
 FIG. 2 is another perspective view thereof;
 FIG. 3 is a front elevational view thereof;
 FIG. 4 is a rear elevational view thereof;
 FIG. 5 is a left side elevational view thereof;
 FIG. 6 is a right side elevational view thereof;
 FIG. 7 is a top plan view thereof; and,
 FIG. 8 is a bottom plan view thereof.

The broken lines in the drawings depict portions of the electric sofa controller that form no part of the claimed design.

1 Claim, 8 Drawing Sheets



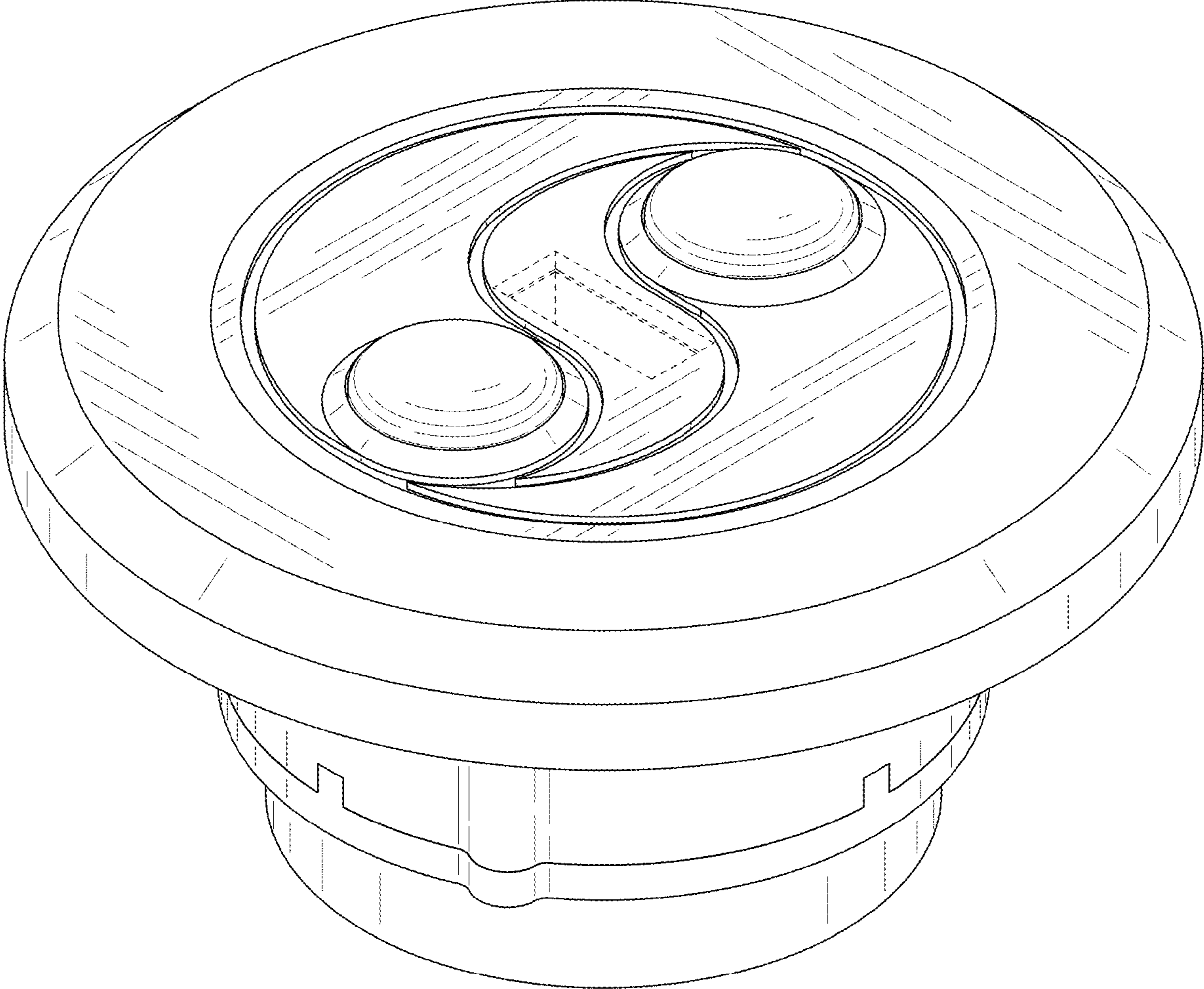


FIG. 1

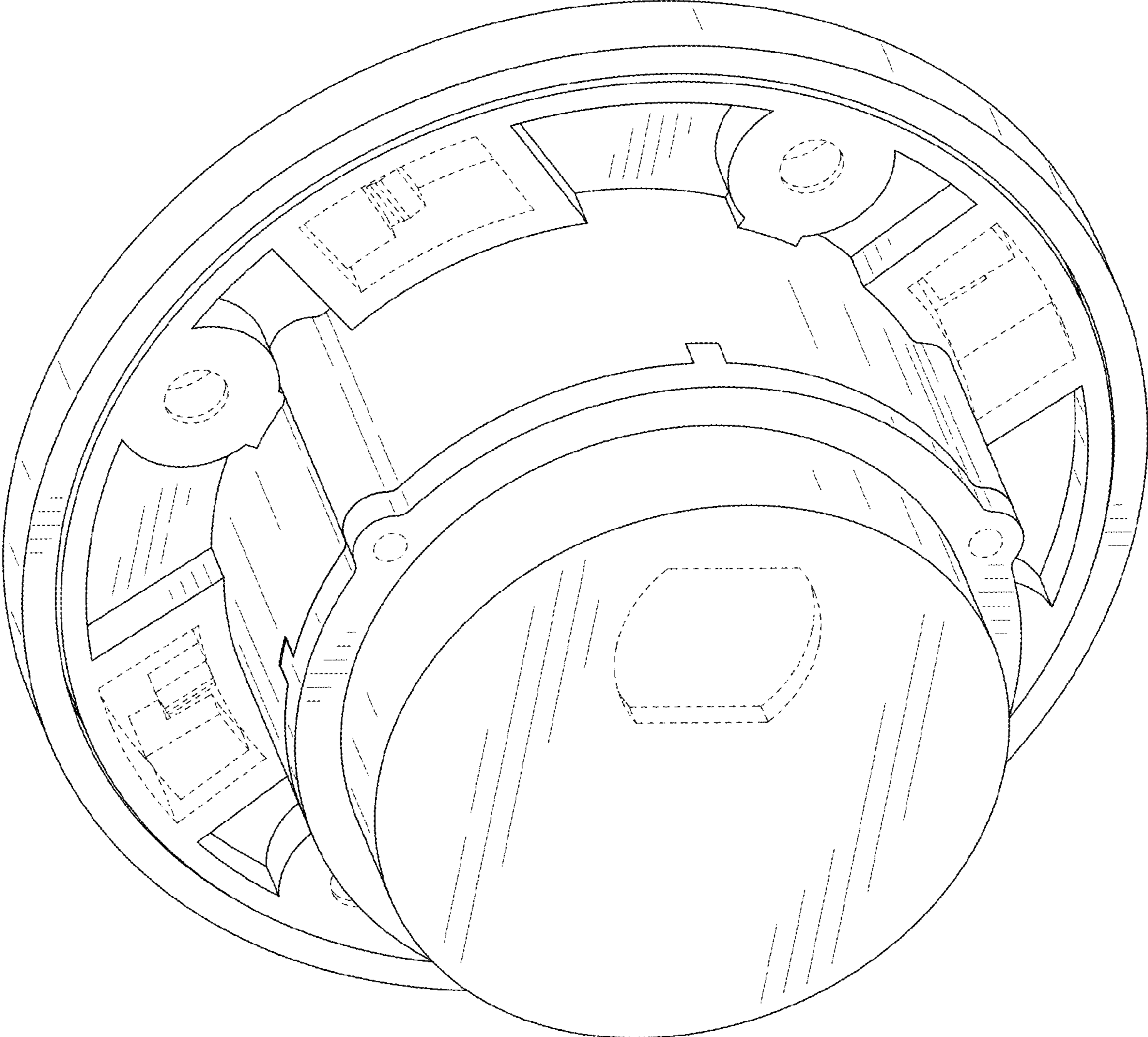


FIG. 2

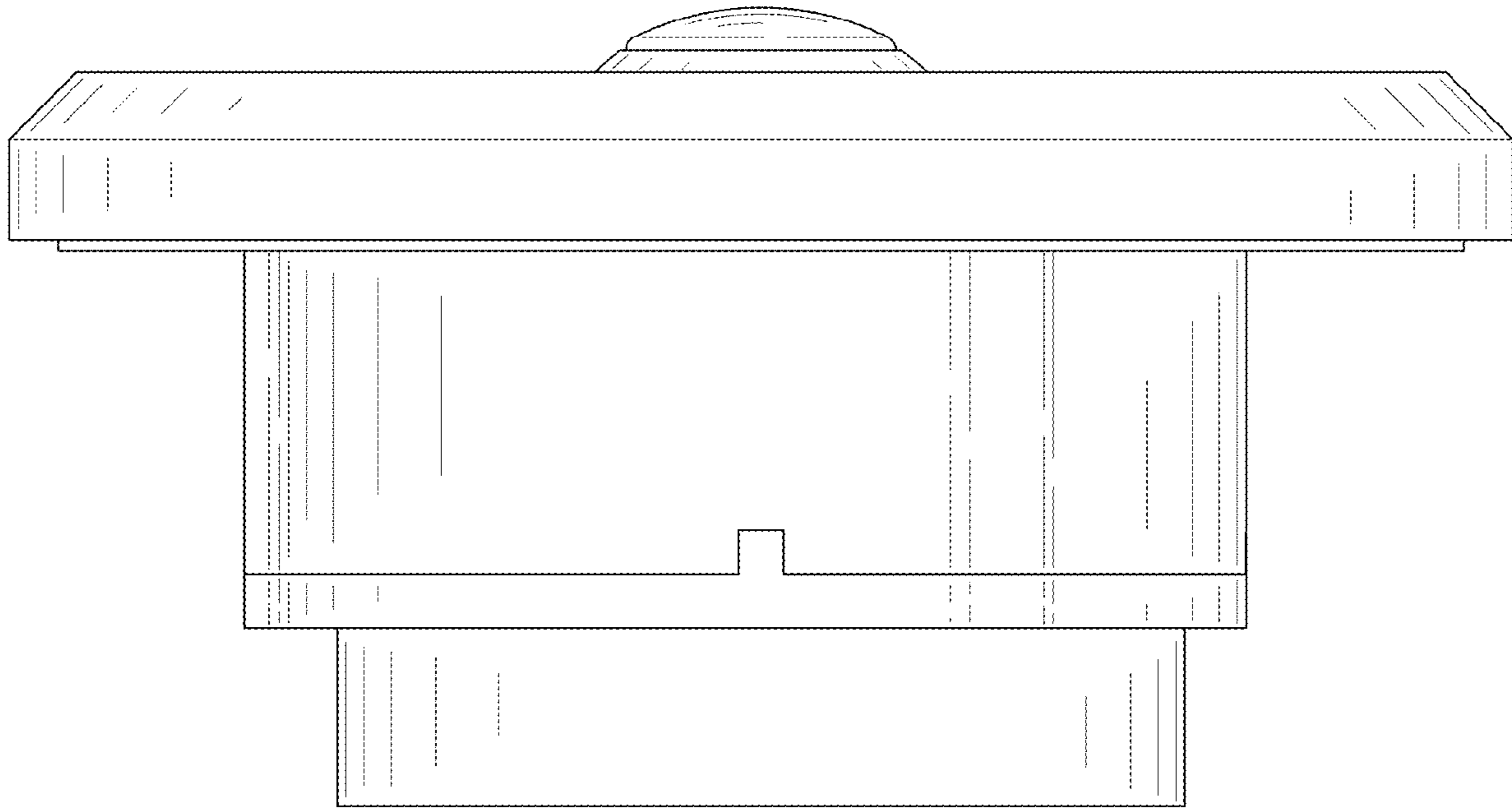


FIG. 3

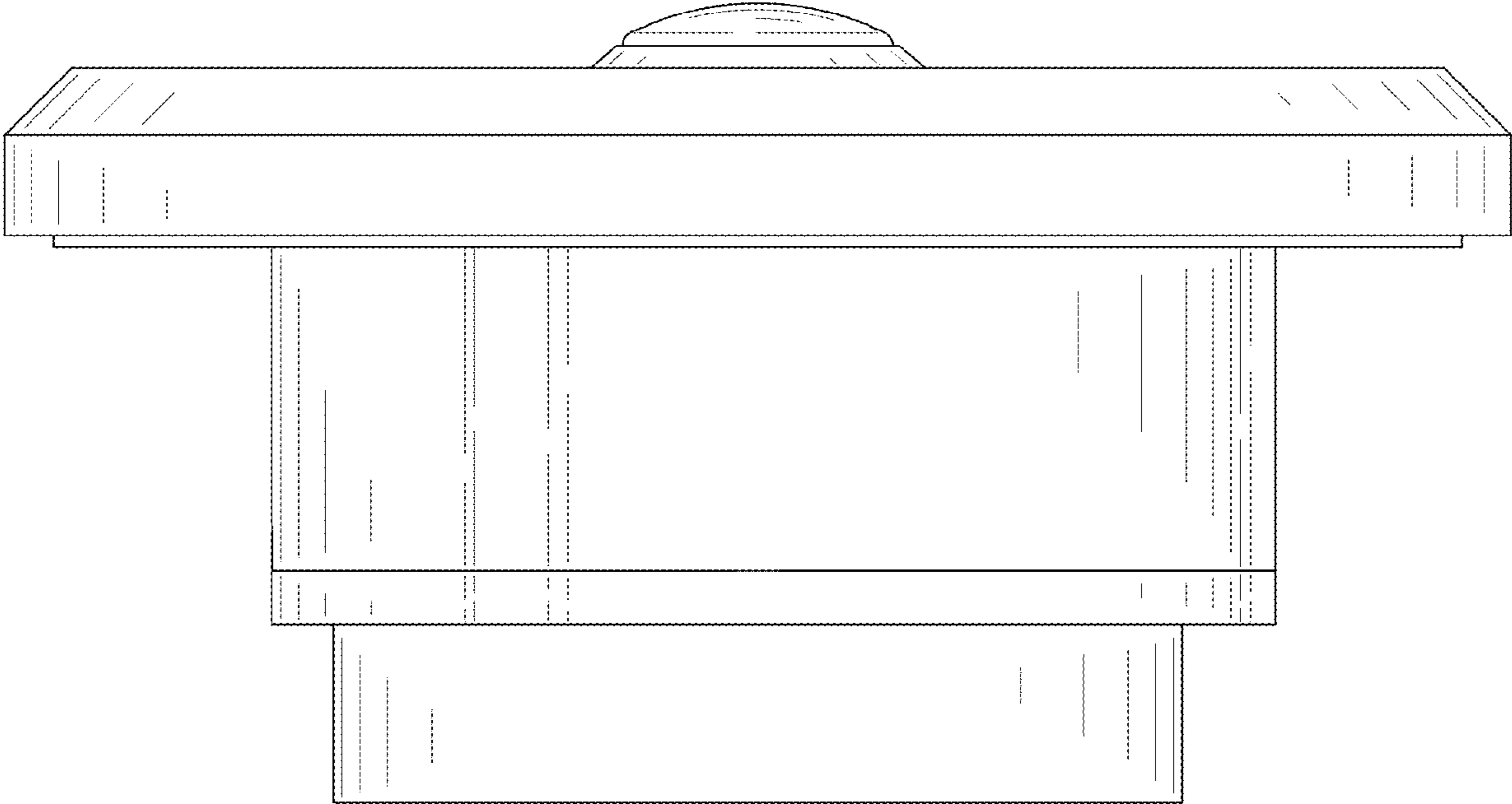


FIG. 4

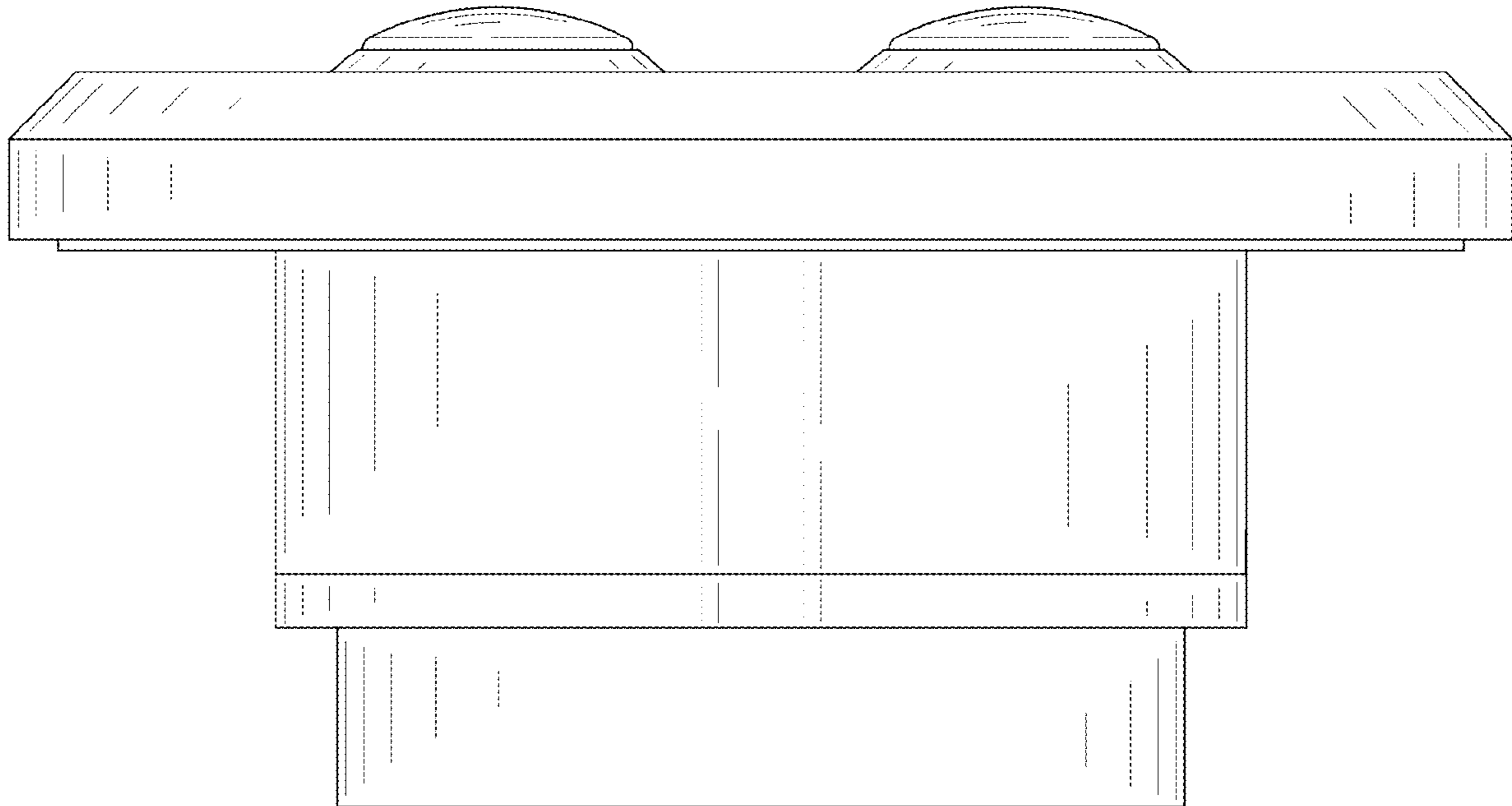


FIG. 5

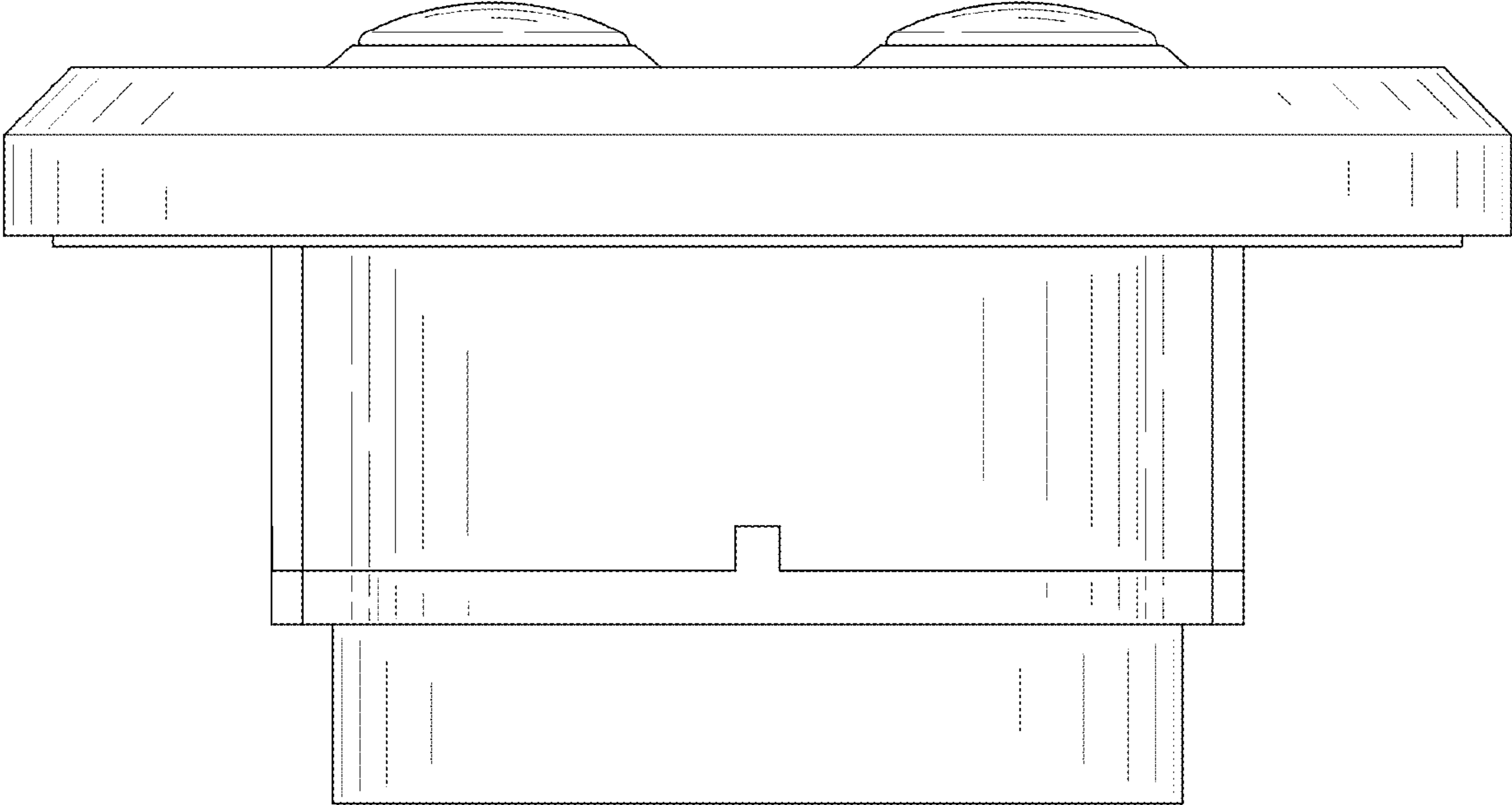


FIG. 6

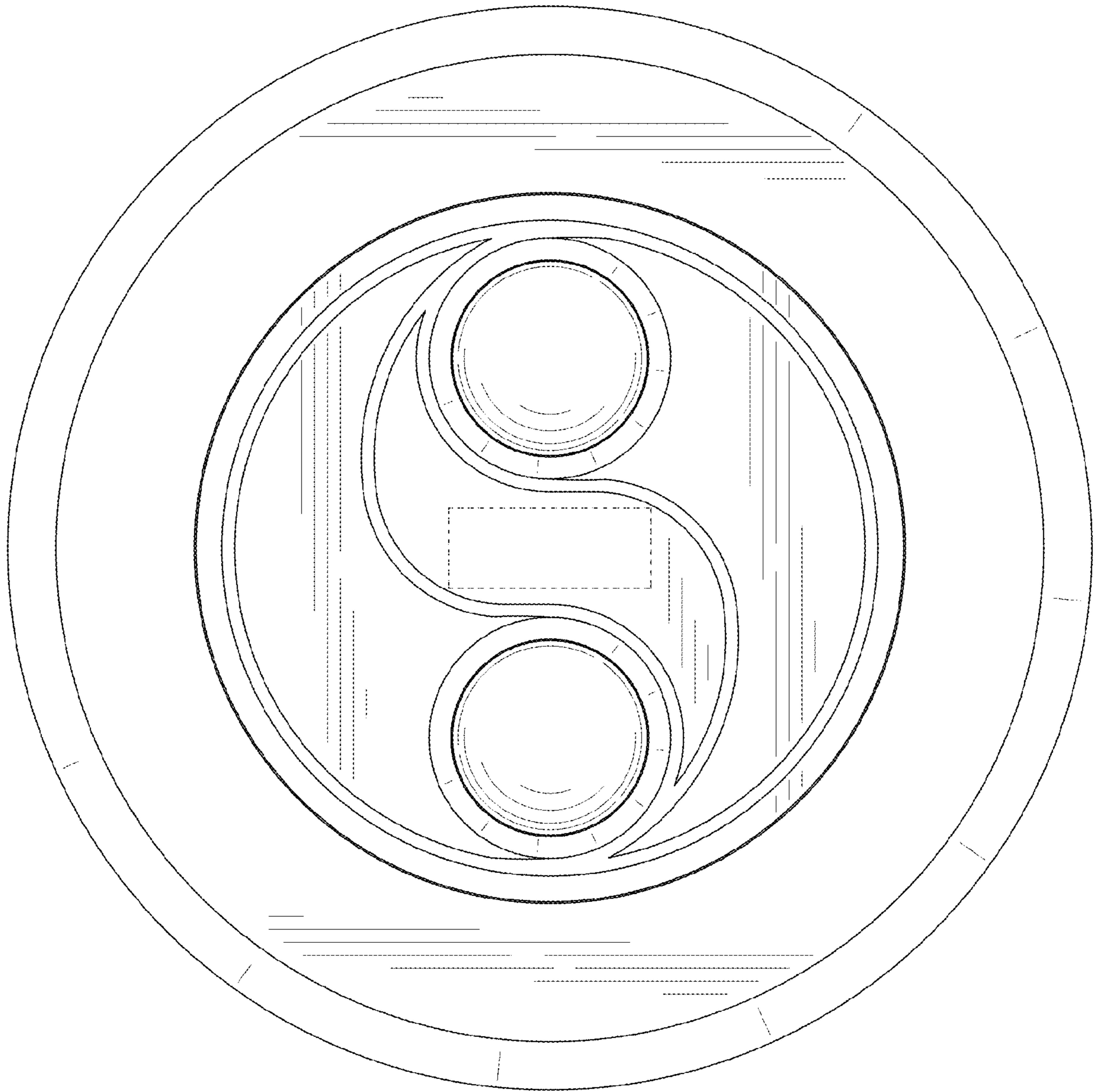


FIG. 7

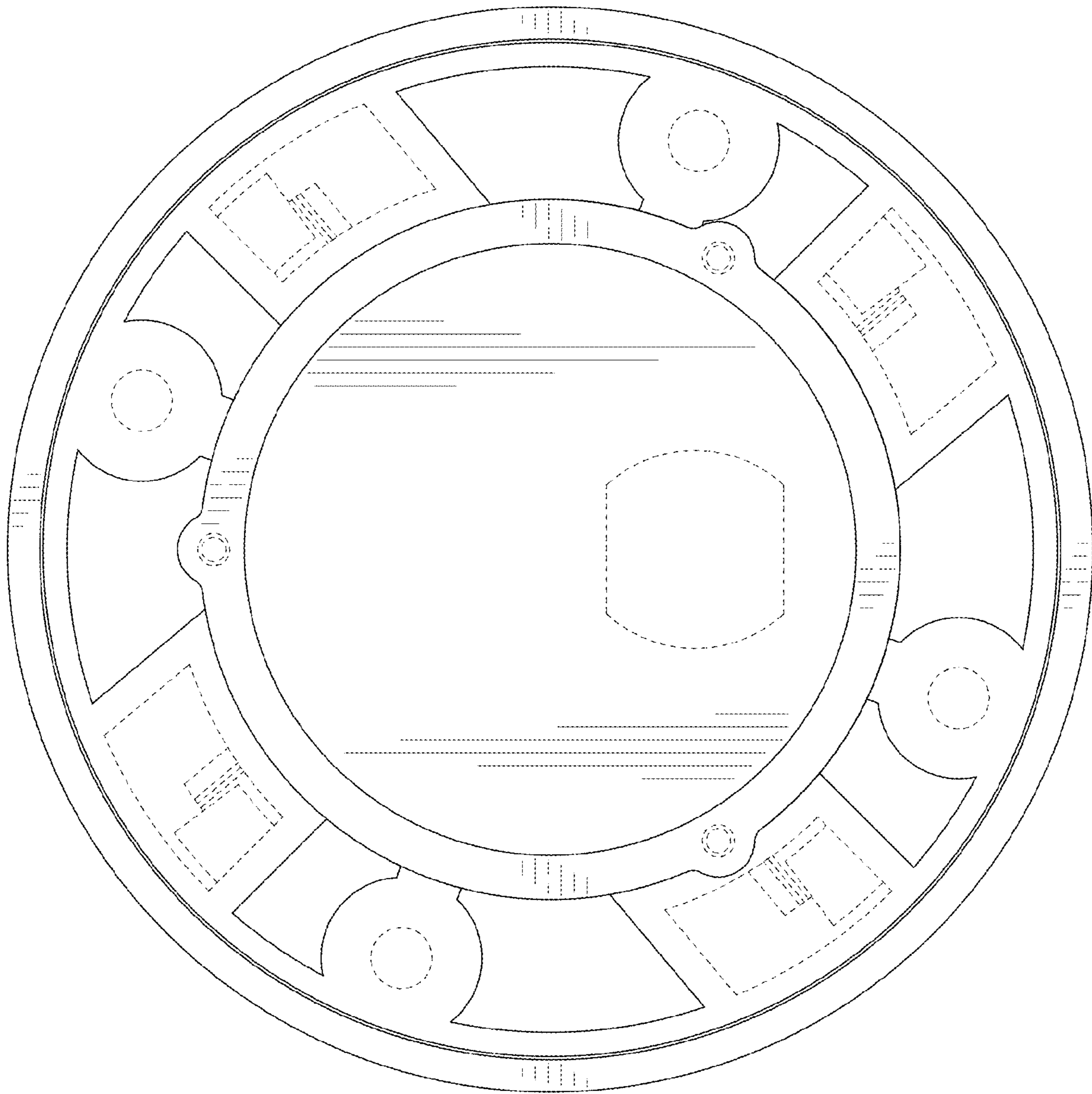


FIG. 8