



US00D952582S

(12) **United States Design Patent** (10) **Patent No.:** **US D952,582 S**  
**Ye** (45) **Date of Patent:** **\*\* May 24, 2022**

(54) **LIGHTING CONTROLLER**  
(71) Applicant: **Hunan Helu Intelligent Technology Co., Ltd., Hunan (CN)**  
(72) Inventor: **Dagang Ye, Guangdong (CN)**  
(73) Assignee: **Hunan Helu Intelligent Technology Co., Ltd., Hunan (CN)**  
  
(\*\*) Term: **15 Years**  
(21) Appl. No.: **29/797,762**  
(22) Filed: **Jul. 2, 2021**  
(51) **LOC (13) Cl.** ..... **13-03**  
(52) **U.S. Cl.**  
USPC ..... **D13/168**  
(58) **Field of Classification Search**  
USPC ..... D13/162, 168; D14/155, 217, 218, 356, D14/358, 388, 433, 434, 435.1, 480.1, D14/480.3, 480.4, 480.5, 480.7  
CPC ..... G08C 17/02; G09F 23/00; H01H 9/02; H01H 9/0214; H01H 9/0235; H04B 1/202; F21S 4/00; F21S 4/10; F21S 4/20  
See application file for complete search history.

D786,193 S \* 5/2017 Akana ..... D13/108  
D798,807 S \* 10/2017 Shi ..... D13/108  
D806,711 S \* 1/2018 Sakaguchi ..... D14/218  
D812,577 S \* 3/2018 Turksu ..... D10/104.1  
D827,587 S \* 9/2018 Hung ..... D13/168  
D830,979 S \* 10/2018 Hung ..... D13/168  
D839,189 S \* 1/2019 Miller ..... D13/103  
D839,191 S \* 1/2019 Akana ..... D13/108

(Continued)

**OTHER PUBLICATIONS**

Business Wire, New ARISTA™ Advanced Lighting Control System, 2 pgs., Aug. 5, 2021; [https://www.businesswire.com/news/home/20210805005184/en/New-ARISTA%E2%84%A2-Advanced-Lighting-Control-System-Brings-Simplicity-Smart-Technology-to-Commercial-Lighting-Installations.\\*](https://www.businesswire.com/news/home/20210805005184/en/New-ARISTA%E2%84%A2-Advanced-Lighting-Control-System-Brings-Simplicity-Smart-Technology-to-Commercial-Lighting-Installations.*)

(Continued)

*Primary Examiner* — Selina Sikder  
(74) *Attorney, Agent, or Firm* — True Shepherd, LLC; Andrew Cheng

(57) **CLAIM**

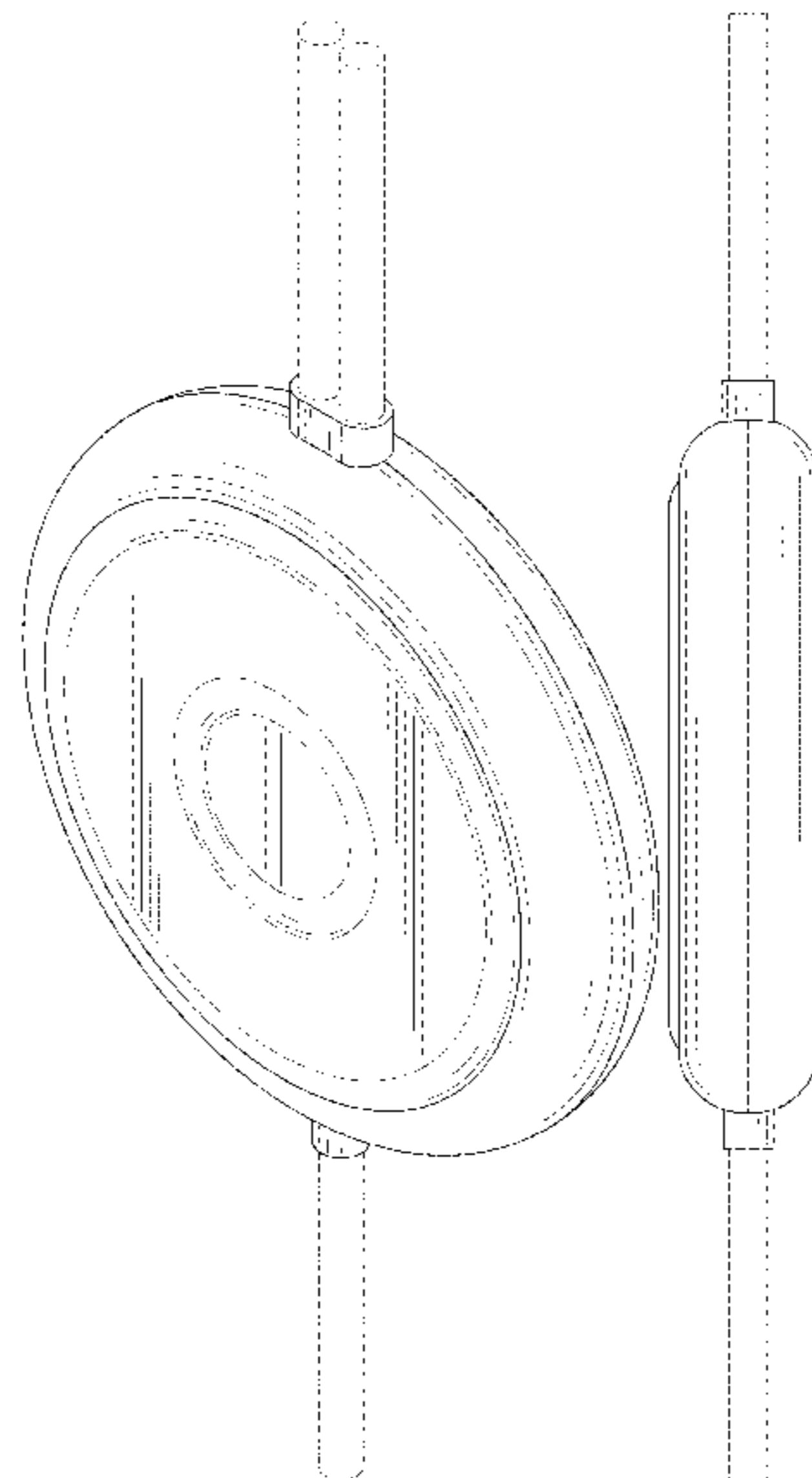
The ornamental design for a lighting controller, as shown and described.

**DESCRIPTION**

FIG. 1 is a front, right, and top perspective view of a lighting controller, showing my design.  
FIG. 2 is a rear, left, and bottom perspective view thereof.  
FIG. 3 is a front elevation view thereof.  
FIG. 4 is a rear elevation view thereof.  
FIG. 5 is a left side elevation view thereof.  
FIG. 6 is a right side elevation view thereof.  
FIG. 7 is a top plan view thereof; and,  
FIG. 8 is a bottom plan view thereof.  
The broken lines shown in the drawings are included for the purpose of illustrating portions of the lighting controller that form no part of the claimed design.

**1 Claim, 8 Drawing Sheets**

(56) **References Cited**  
**U.S. PATENT DOCUMENTS**  
D718,233 S \* 11/2014 Aumiller ..... D13/108  
D718,234 S \* 11/2014 Rautiainen ..... D13/108  
D718,236 S \* 11/2014 Murray ..... D13/108  
D725,034 S \* 3/2015 Chen ..... D13/108  
D735,131 S \* 7/2015 Akana ..... D13/108  
D737,762 S \* 9/2015 Aumiller ..... D13/108  
D741,256 S \* 10/2015 Murphy-Reinhertz ..... D13/108  
D746,772 S \* 1/2016 Aumiller ..... D13/108  
D747,267 S \* 1/2016 Aumiller ..... D13/108  
D768,114 S \* 10/2016 Hou ..... D14/218  
D782,485 S \* 3/2017 Cai ..... D14/433  
D782,973 S \* 4/2017 Zhou ..... D13/108  
D784,259 S \* 4/2017 Huang ..... D13/108



(56)

References Cited

U.S. PATENT DOCUMENTS

D850,367 S \* 6/2019 Xiong ..... D14/434  
 D850,372 S \* 6/2019 Kong ..... D13/108  
 D855,567 S \* 8/2019 Cai ..... D13/108  
 D858,463 S \* 9/2019 Nien ..... D13/168  
 D872,015 S \* 1/2020 Choi ..... D13/108  
 D875,678 S \* 2/2020 Kim ..... D13/108  
 D883,203 S \* 5/2020 Zheng ..... D13/108  
 D891,366 S \* 7/2020 Xie ..... D13/108  
 D894,122 S \* 8/2020 Ye ..... D13/108  
 D895,543 S \* 9/2020 Akana ..... D13/108  
 D899,359 S \* 10/2020 Zhang ..... D13/108  
 D900,027 S \* 10/2020 Reilly ..... D13/108  
 D900,735 S \* 11/2020 He ..... D13/108  
 D901,379 S \* 11/2020 Choi ..... D13/108  
 D904,981 S \* 12/2020 Worthy ..... D13/110  
 D906,979 S \* 1/2021 Chen ..... D13/146  
 D908,620 S \* 1/2021 Akana ..... D13/108  
 D910,580 S 2/2021 Zhu  
 D911,276 S \* 2/2021 Li ..... D13/108

D915,660 S \* 4/2021 Civelekoglu ..... D26/104  
 D917,390 S \* 4/2021 Tung ..... D13/108  
 D923,588 S 6/2021 Zhu  
 D924,182 S \* 7/2021 Fu ..... D13/168  
 D924,796 S \* 7/2021 Ye ..... D28/64.1  
 D929,349 S \* 8/2021 Jiang ..... D13/168  
 D929,990 S \* 9/2021 Maruyama ..... D24/186  
 D934,295 S \* 10/2021 Olsson ..... D14/496  
 D935,402 S \* 11/2021 Qiu ..... D13/108  
 D936,576 S \* 11/2021 Joung ..... D13/108  
 D939,438 S \* 12/2021 Hu ..... D13/108  
 D943,524 S \* 2/2022 Zheng ..... D13/108  
 D944,794 S \* 3/2022 Su

OTHER PUBLICATIONS

Reviewgeek, The Best Smart Lighting for Your Home, From Simple to Sophisticated; Mar. 3, 2021; 3 pgs.;<https://www.reviewgeek.com/72390/what-are-the-best-smart-lighting-products-for-every-room-in-your-home/>.\*

\* cited by examiner

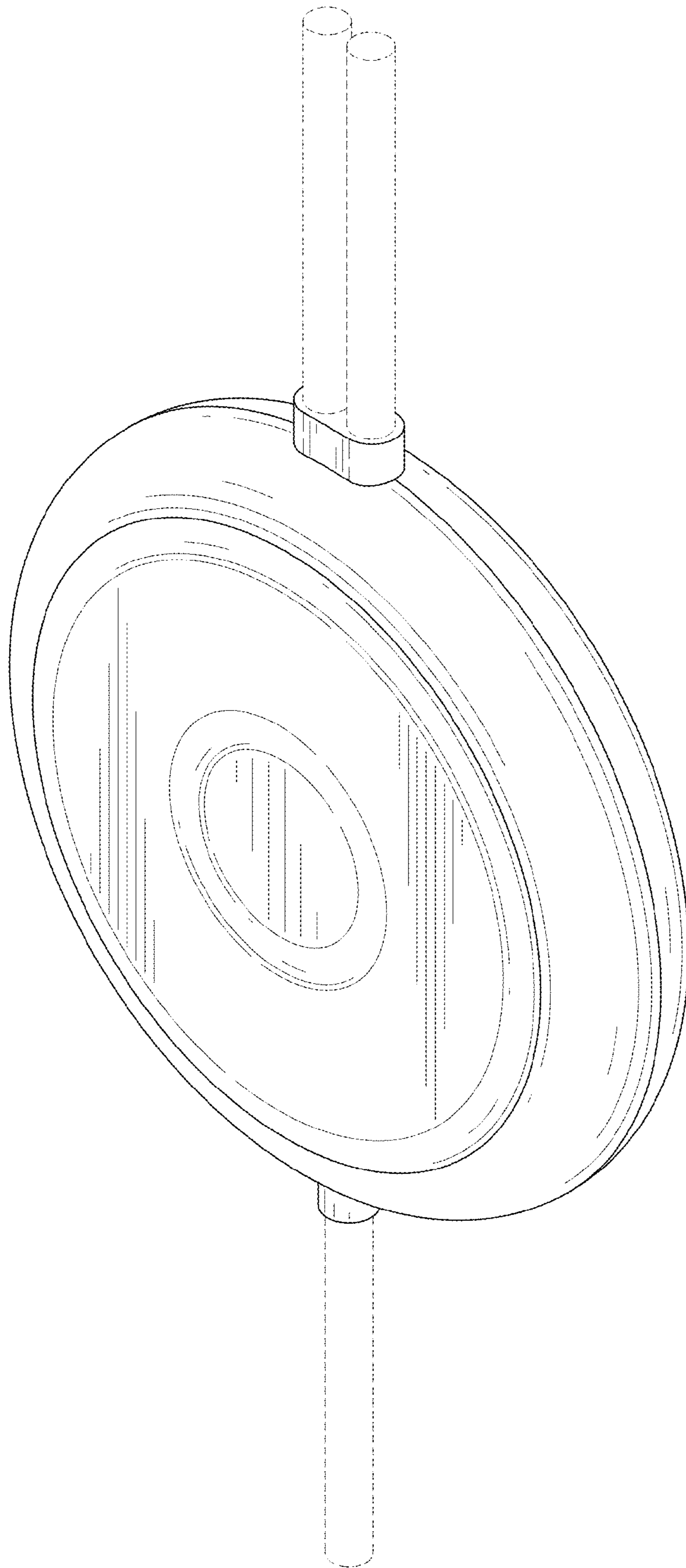


FIG. 1

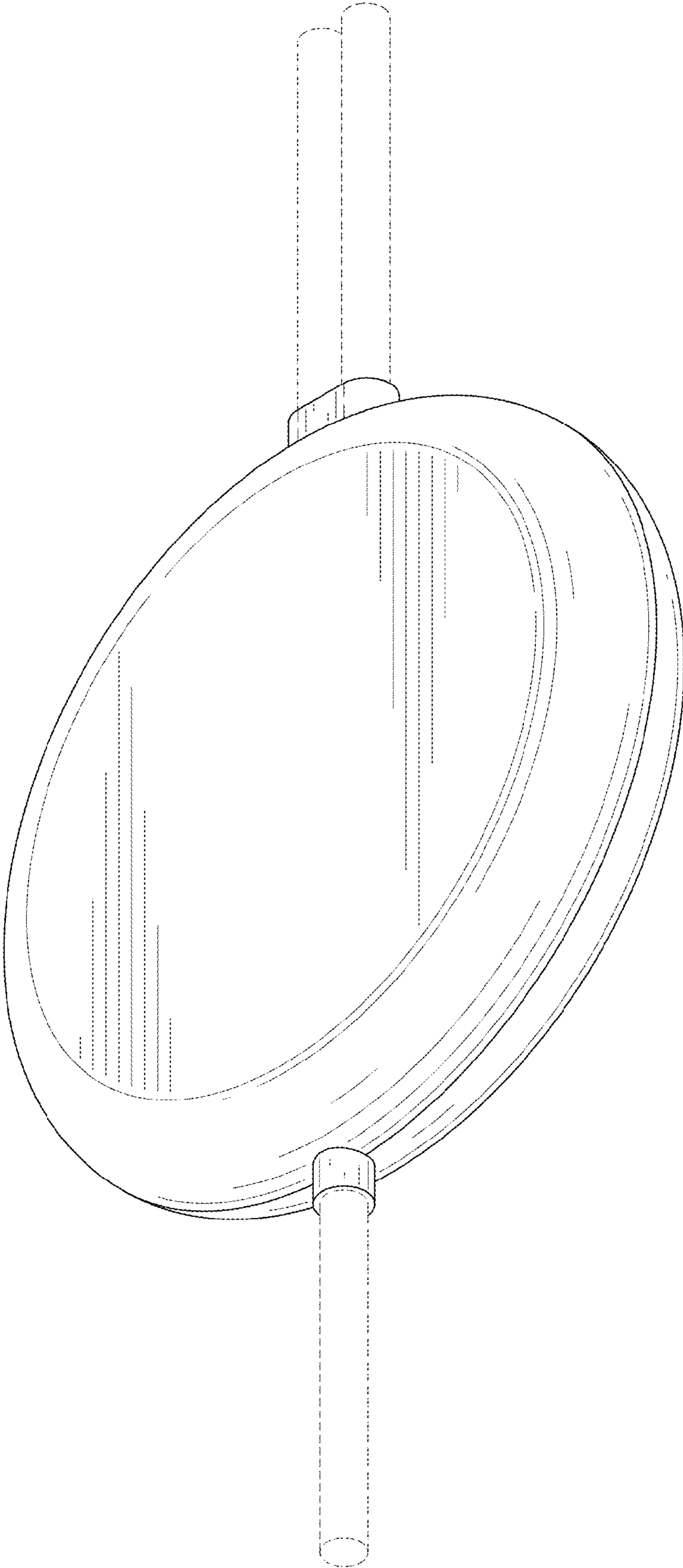


FIG. 2



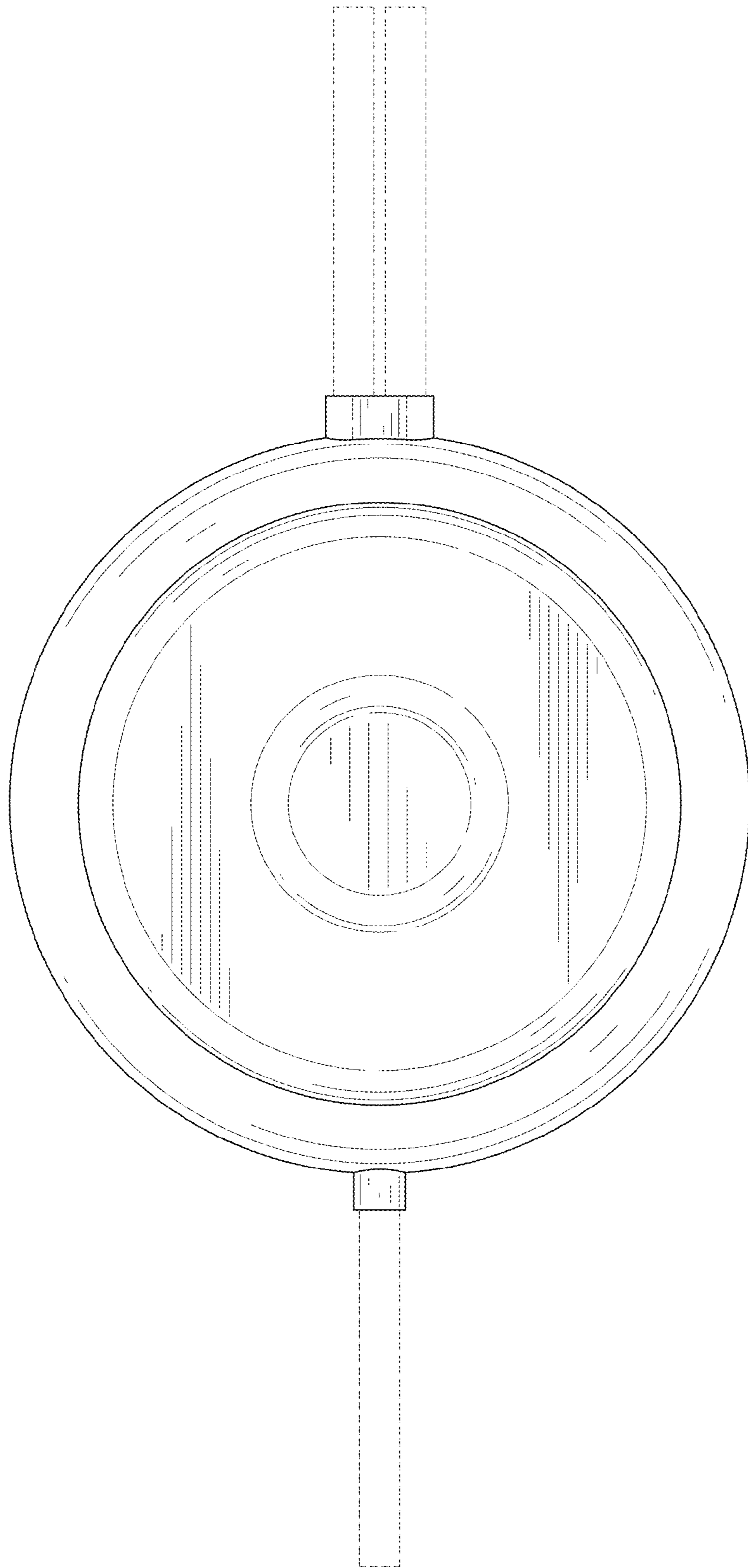


FIG. 3

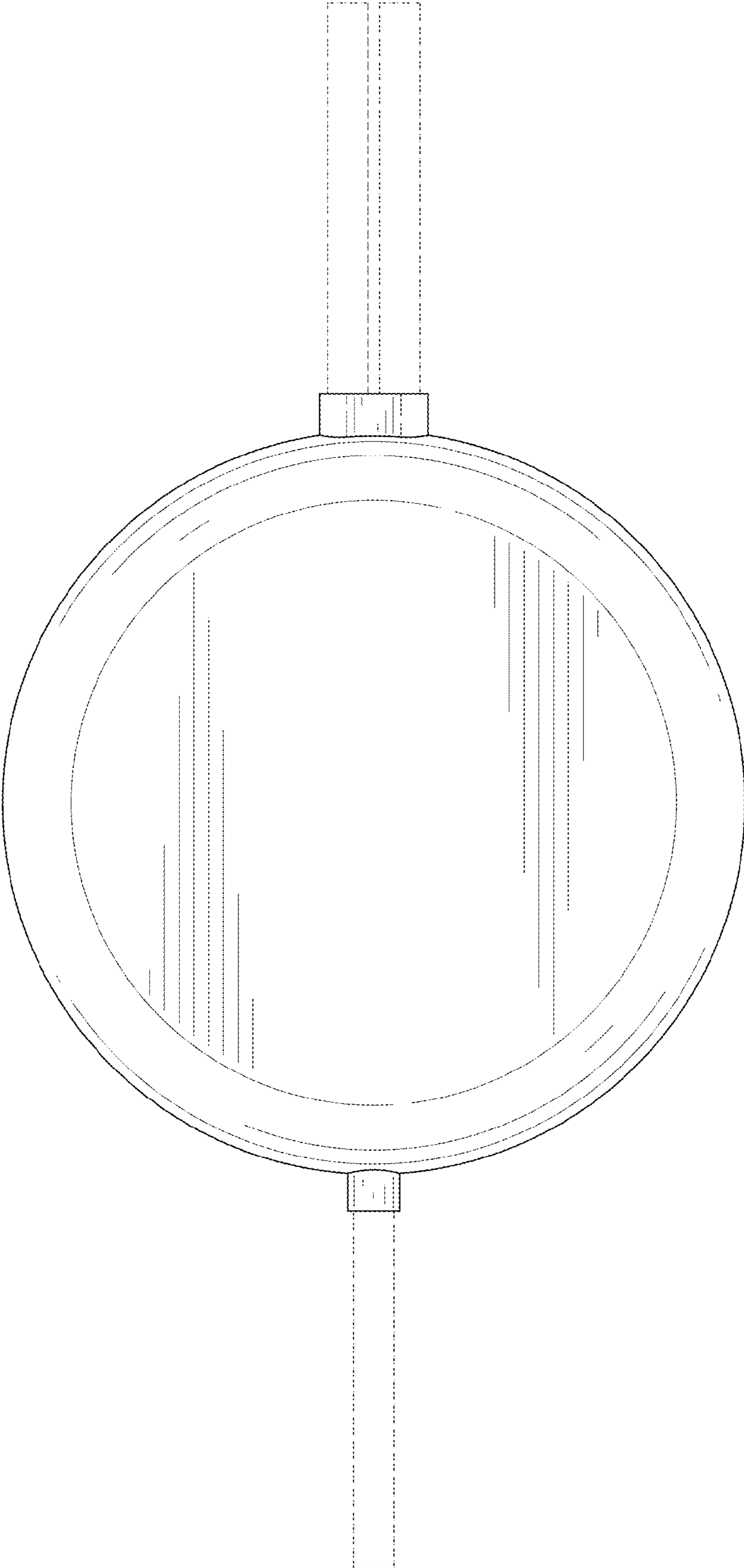


FIG. 4

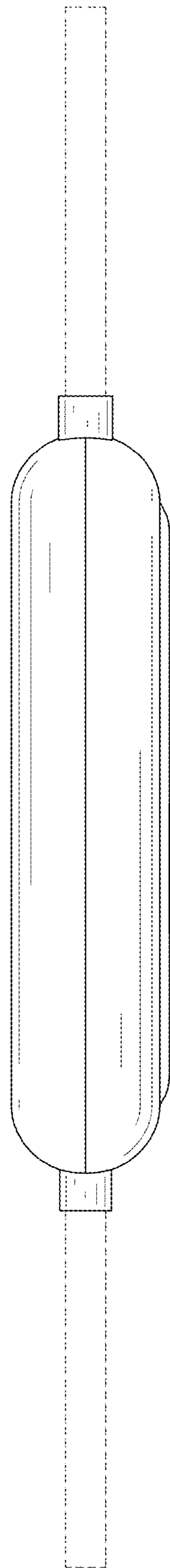


FIG. 5

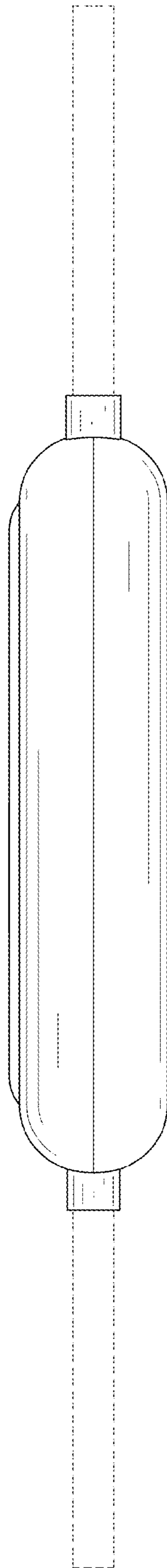


FIG. 6



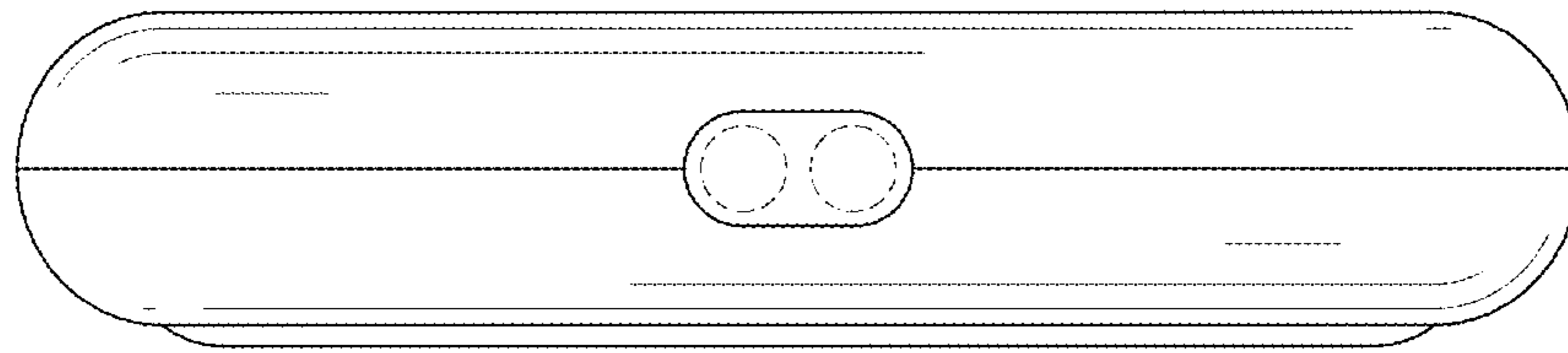


FIG. 7

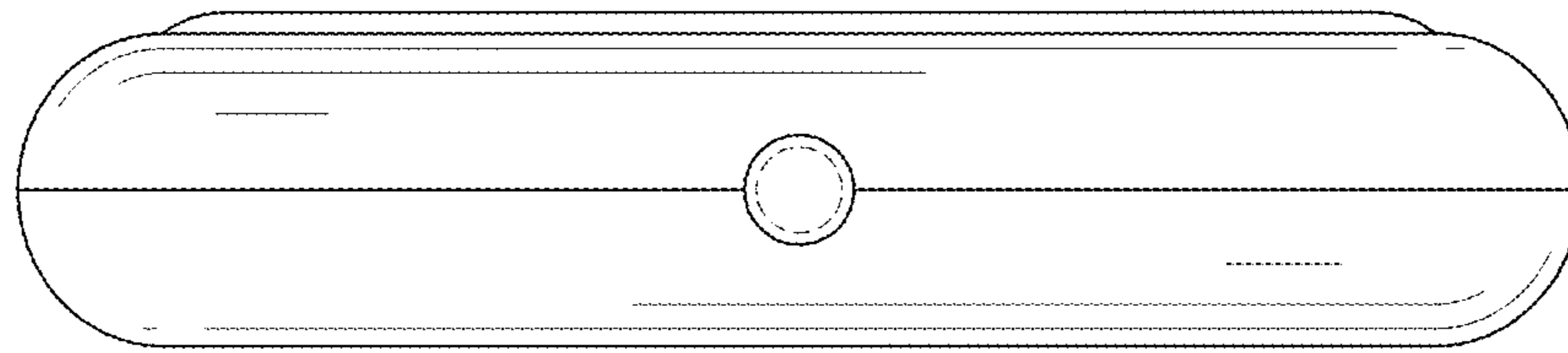


FIG. 8