



US00D952578S

(12) **United States Design Patent**
Florczak

(10) **Patent No.:** **US D952,578 S**
(45) **Date of Patent:** **** May 24, 2022**

(54) **WALL MOUNTED BUTTON PANEL**

FOREIGN PATENT DOCUMENTS

(71) Applicant: **Crestron Electronics, Inc.**, Rockleigh,
NJ (US)

CA 123789 6/2009
CA 123790 6/2009
EM 000536990-0012 1/2006

(72) Inventor: **Donald Florczak**, Tenafly, NJ (US)

OTHER PUBLICATIONS

(73) Assignee: **Crestron Electronics, Inc.**, Rockleigh,
NJ (US)

Greengate, Date: Aug. 2015, [online], [site visited Mar. 22, 2022],
Available from internet, URL: https://www.electricbargainstores.com/product-p/Greengate-RC-6TSB-OS3-W.htm?gclid=EAIalQobChMI4pG59fHa9glVczizAB0aMwFtEAQYAiABEGJiGfD_BwE (Year: 2015).*

(**) Term: **15 Years**

(21) Appl. No.: **29/765,010**

(Continued)

(22) Filed: **Jan. 5, 2021**

Primary Examiner — Shawn T Gingrich

(51) **LOC (13) Cl.** **13-03**

Assistant Examiner — Bryan N. Melvin

(52) **U.S. Cl.**

(74) *Attorney, Agent, or Firm* — Crestron Electronics,
Inc.

USPC **D13/162**; D13/164; D13/168; D13/177

(58) **Field of Classification Search**

USPC D8/107, 310, 312, 343, 350, 353, 356,
D8/387, 397; D10/50, 106.8; D13/107,
D13/134, 158, 162, 164, 168, 169, 171,
D13/173-174, 177-178; D14/218, 356,
D14/388, 488; D23/341; D24/129

CPC H01H 13/70; H01H 13/76; H01H 13/83;
H01H 23/025; H02G 3/083; G09F 9/00;
H05B 47/10; H05B 47/11; H05B 47/19;
H05B 47/155; H05B 47/175; H05B
39/086; H05B 45/12; G09G 3/20

See application file for complete search history.

(56) **References Cited**

U.S. PATENT DOCUMENTS

D297,404 S 8/1988 Yandek et al.
5,036,168 A * 7/1991 Kikuchi H01H 23/025
174/53

D335,867 S 5/1993 Rowen
D394,042 S 5/1998 Hwang
D436,930 S 1/2001 Butler
D437,585 S 2/2001 Mayo et al.
D450,043 S 11/2001 Mosebrook

(Continued)

(57) **CLAIM**

The ornamental design for a wall mounted button panel, as
shown and described.

DESCRIPTION

FIG. 1 shows a top-front perspective view of a wall mounted
button panel.

FIG. 2 shows a bottom-front perspective view of the wall
mounted button panel.

FIG. 3 shows a front elevation view of the wall mounted
button panel.

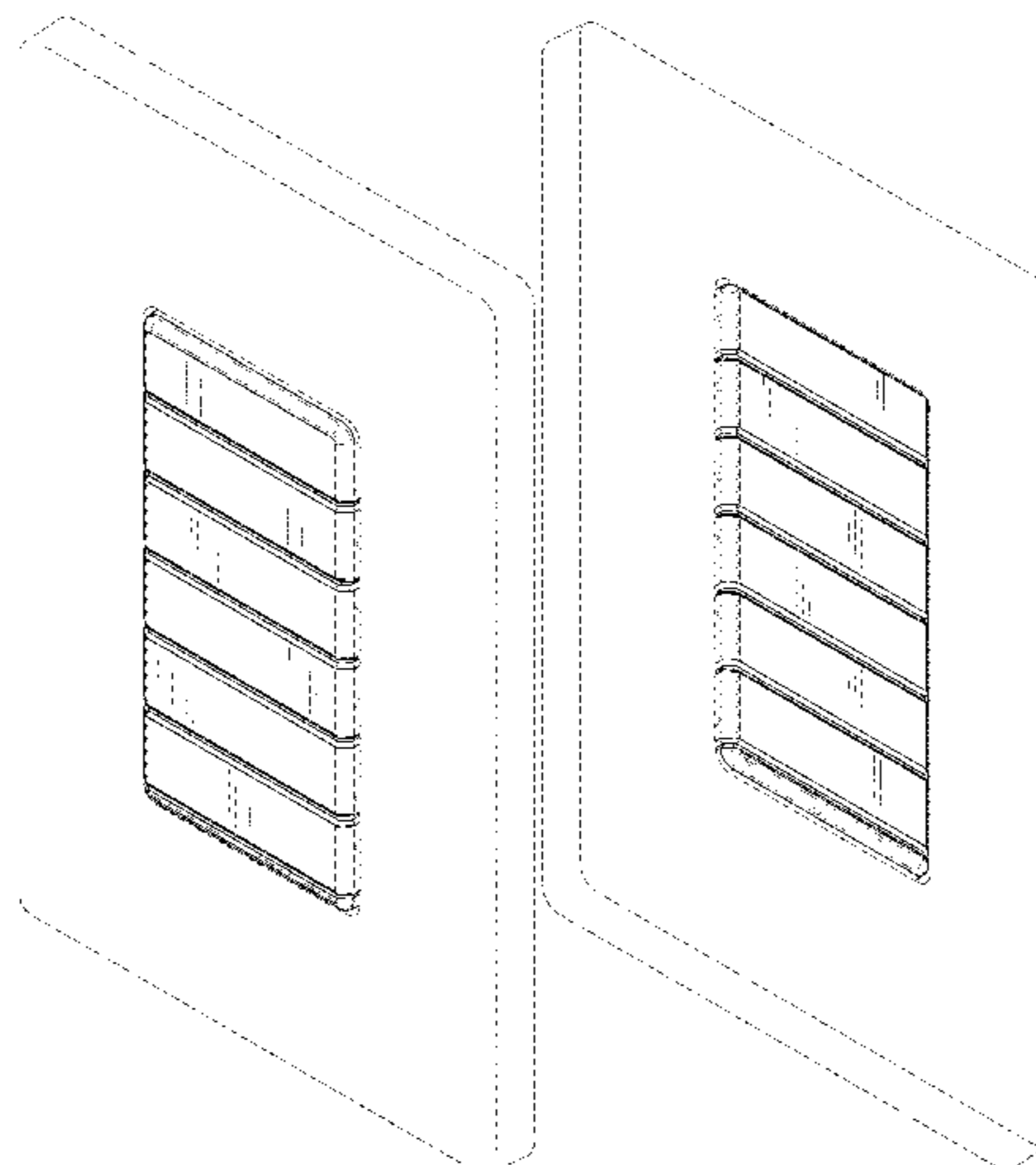
FIG. 4 shows a left side view of the wall mounted button
panel.

FIG. 5 shows a right side view of the wall mounted button
panel.

FIG. 6 shows a top view of the wall mounted button panel;
and,

FIG. 7 shows a bottom view of the wall mounted button
panel.

(Continued)



The broken lines in the drawings illustrate features of the wall mounted button panel that form no part of the claimed design.

1 Claim, 7 Drawing Sheets

(56)

References Cited

U.S. PATENT DOCUMENTS

6,380,696 B1	4/2002	Sembhi et al.	
D465,460 S	11/2002	Mayo et al.	
6,545,434 B2	4/2003	Sembhi et al.	
D475,024 S	5/2003	Bennett et al.	
6,930,260 B2 *	8/2005	Clegg	H01H 13/70 200/5 A
D518,794 S	4/2006	Hedderich et al.	
D519,939 S	5/2006	Hedderich et al.	
D539,758 S	4/2007	Blair et al.	
D543,951 S	6/2007	Blair et al.	
D563,326 S	3/2008	Patel et al.	
D564,457 S	3/2008	Billings et al.	
D581,369 S	11/2008	Egea	
D625,273 S *	10/2010	Felegy, Jr.	D13/168
D625,274 S *	10/2010	Felegy, Jr.	D13/168
D626,092 S	10/2010	Clymer et al.	
D631,854 S *	2/2011	Blair	D13/168
D633,448 S	3/2011	Biery et al.	
D633,874 S	3/2011	Feldstein et al.	
D636,351 S	4/2011	Rodriguez et al.	
D638,375 S	5/2011	Clymer et al.	
D664,101 S *	7/2012	Hoffknecht	D13/164
8,289,192 B2 *	10/2012	O'Donnell	H01H 13/76 200/309
D687,390 S	8/2013	McDonald et al.	

D714,736 S	10/2014	O'Donnell	
D715,231 S	10/2014	O'Donnell	
D721,659 S	1/2015	Rodriguez et al.	
D731,986 S	6/2015	Madsen et al.	
D733,073 S	6/2015	Larkin et al.	
D733,076 S	6/2015	Jacoby et al.	
D734,277 S	7/2015	Jacoby et al.	
D767,513 S	9/2016	Jacoby	
D768,582 S	10/2016	Jacoby	
D772,177 S *	11/2016	Hickok	D13/177
D792,358 S	7/2017	Poulheim et al.	
D803,167 S	11/2017	Jacoby et al.	
D813,177 S	3/2018	Poulheim et al.	
D813,828 S	3/2018	Jacoby et al.	
D819,577 S *	6/2018	Hoffknecht	D13/164
D831,588 S *	10/2018	Fiedler	D13/164
D834,539 S	11/2018	Poulheim et al.	
D887,371 S *	6/2020	Jacoby	D13/164
D887,372 S	6/2020	Jacoby et al.	
D887,997 S *	6/2020	Poulheim	D13/177
2014/0268630 A1 *	9/2014	Samuels	H02G 3/083 362/23.03
2016/0069537 A1	3/2016	Dimberg	
2016/0073467 A1	3/2016	McDonald et al.	

OTHER PUBLICATIONS

Lutron Electronics Co., Inc., Palladiom Brochure, P/N 367-2552 REV E, Dec. 2015.
 PCS PulseWorx, KPC 7-Button Controller Manual Configuration Guide, Version 1.0, Oct. 1, 2013.
 Control4 Lighting Equipment, available at www.c9ny.com/products/c4/lighting, accessed on Sep. 21, 2016.
 U.S. Appl. No. 29/293,669, filed Dec. 4, 2007, titled "Lighting control keypad", Abandoned.

* cited by examiner

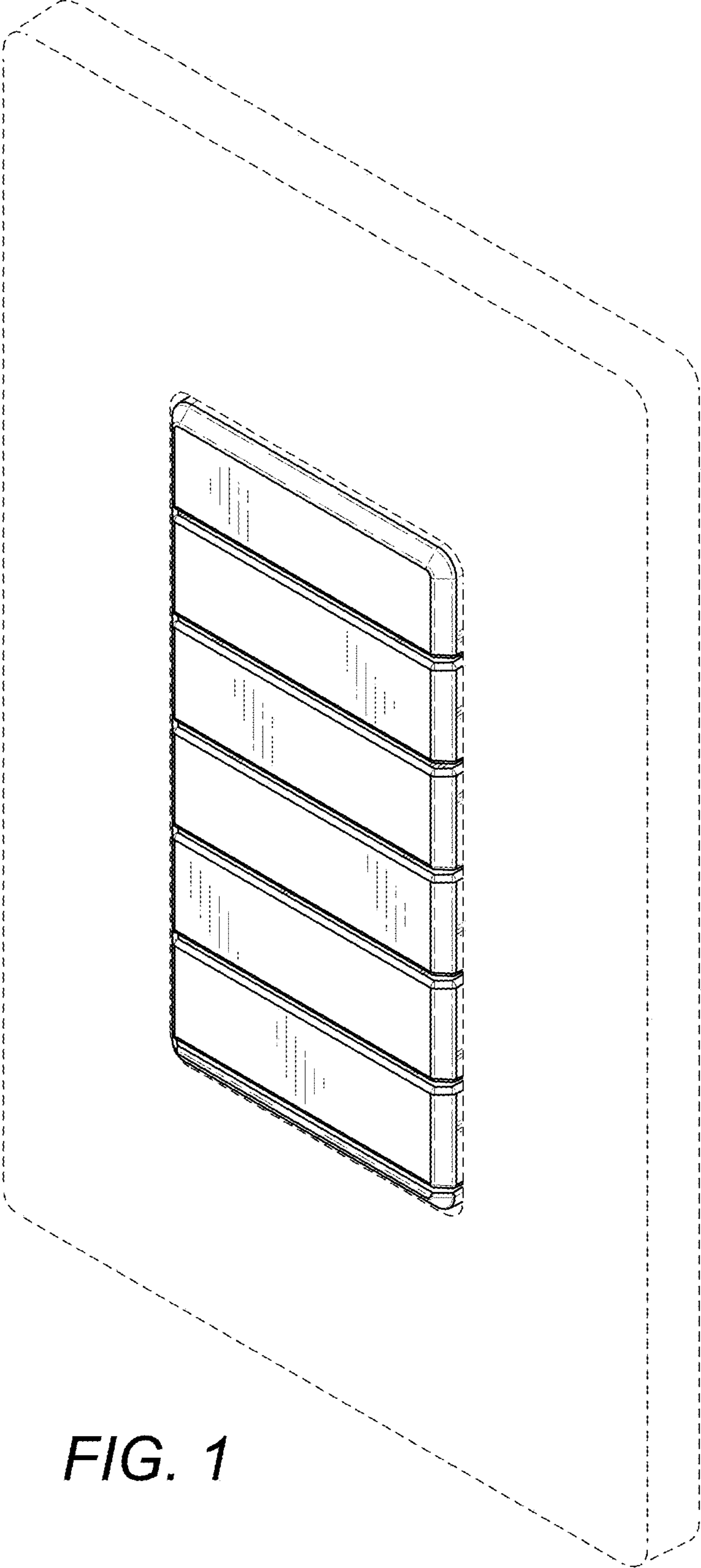


FIG. 1

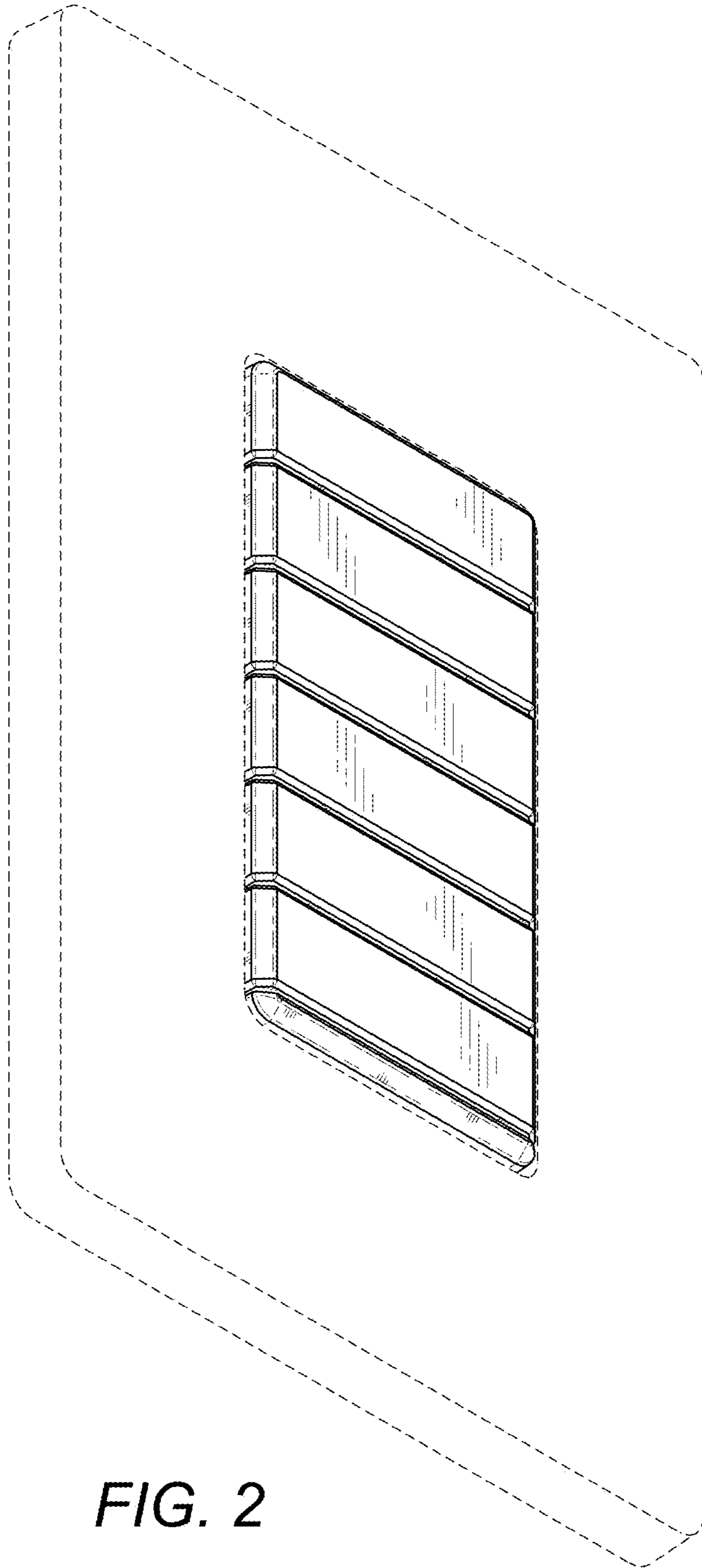


FIG. 2

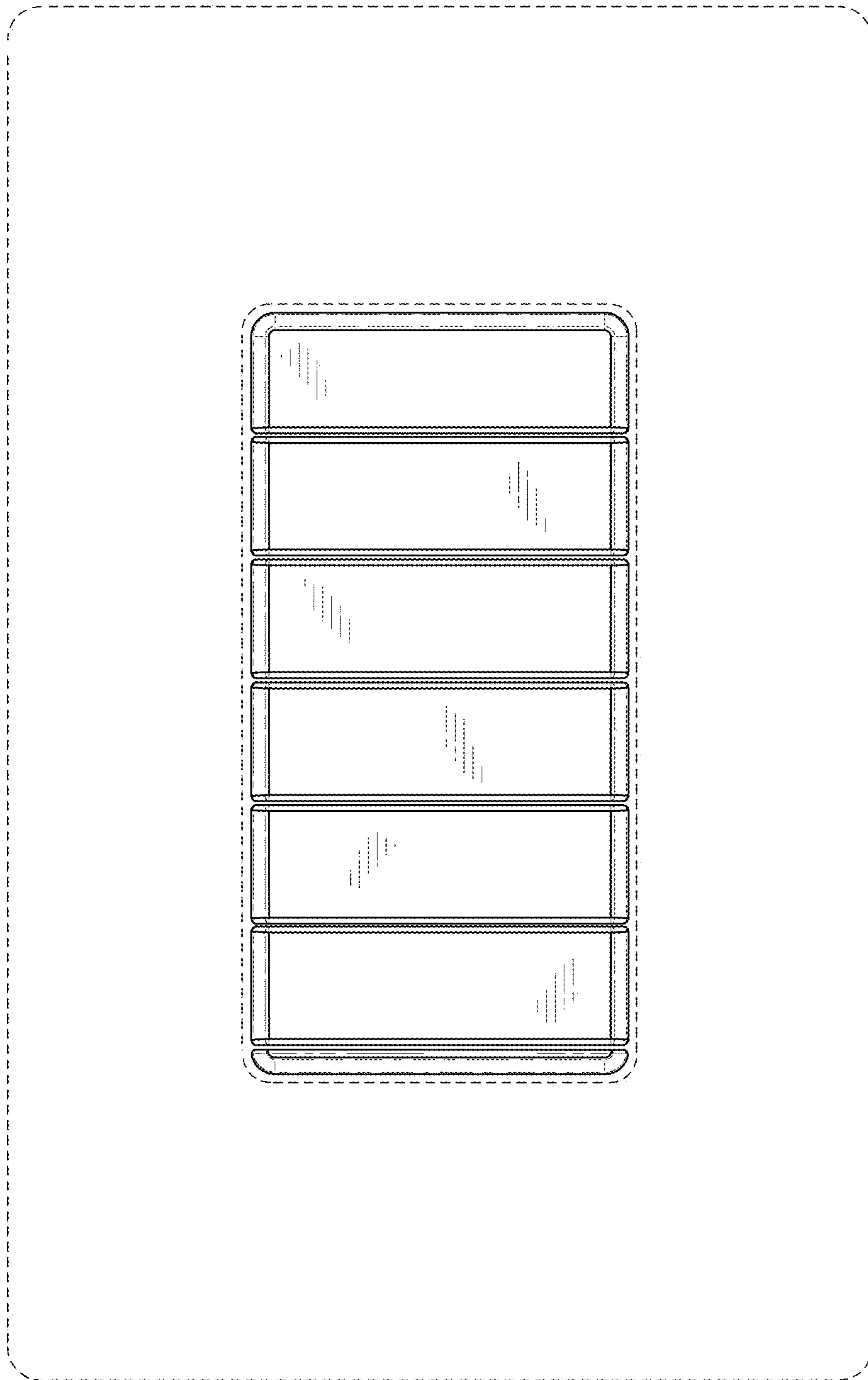


FIG. 3

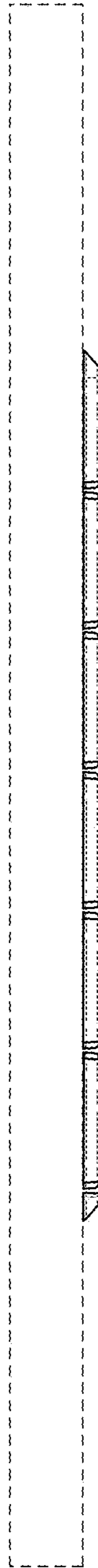


FIG. 4

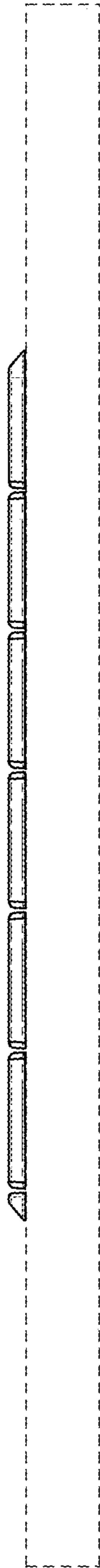


FIG. 5

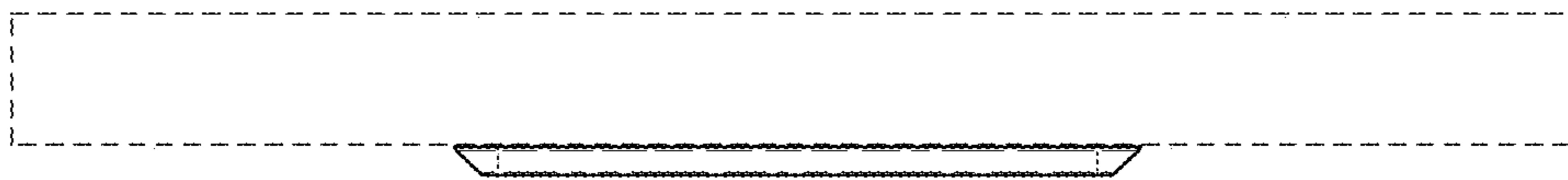


FIG. 6

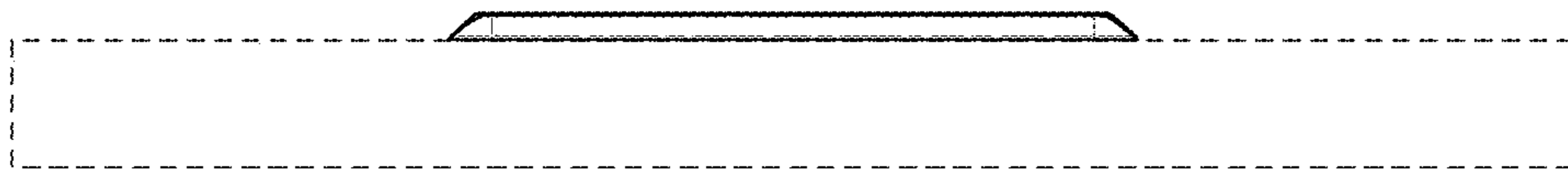


FIG. 7