



US00D952577S

(12) **United States Design Patent**
Hess et al.

(10) **Patent No.:** **US D952,577 S**

(45) **Date of Patent:** **** *May 24, 2022**

(54) **SURGE PROTECTION DEVICE**

(71) Applicant: **DEHN SE + Co KG**, Neumarkt (DE)

(72) Inventors: **Michael Hess**, Neumarkt (DE); **Florian Gäck**, Neumarkt (DE); **Julius Maria Schrafl**, Neumarkt (DE)

(73) Assignee: **DEHN SE**, Neumarkt/OPF (DE)

(*) Notice: This patent is subject to a terminal disclaimer.

(**) Term: **15 Years**

(21) Appl. No.: **29/745,358**

(22) Filed: **Aug. 5, 2020**

(30) **Foreign Application Priority Data**

Feb. 5, 2020 (EM) 007664156

(51) **LOC (13) Cl.** **13-03**

(52) **U.S. Cl.**
USPC **D13/160**

(58) **Field of Classification Search**
USPC D13/123, 133, 158-162, 173, 178, 184,
D13/199

(Continued)

(56) **References Cited**

U.S. PATENT DOCUMENTS

D752,514 S * 3/2016 Hoppmann D13/133
D772,819 S * 11/2016 Hirose D13/159

(Continued)

FOREIGN PATENT DOCUMENTS

DE 19641298 A1 * 4/1997 H01H 23/164
DE 40407035-0002 * 10/2005

OTHER PUBLICATIONS

BLITZDUCTORconnect: secR Modulverriegelung, dated Apr. 9, 2020, [online], [site visited Jul. 27, 2021]. Available from Internet,

URL: <https://www.youtube.com/watch?v=-OvGjJITf0E&t=2s> (Year: 2020).*

(Continued)

Primary Examiner — Shawn T Gingrich

(74) *Attorney, Agent, or Firm* — Millen, White, Zelano & Branigan, P.C.; William Nixon

(57) **CLAIM**

The ornamental design for a surge protection device, as shown and described.

DESCRIPTION

The patent or application contains at least one drawing executed in color. Copies of this patent or patent application publication with color drawing(s) will be provided by the Office upon request and payment of the necessary fee.

FIG. 1 illustrates a front perspective view of a surge protection device showing our new design;

FIG. 2 illustrates a front elevational view thereof;

FIG. 3 illustrates a rear elevational view thereof;

FIG. 4 illustrates a right side elevational view thereof;

FIG. 5 illustrates a left side elevational view thereof;

FIG. 6 illustrates a top plan view thereof; and

FIG. 7 illustrates a bottom plan view thereof.

FIG. 8 illustrates a front perspective view of a second embodiment of a surge protection device showing our new design;

FIG. 9 illustrates a front elevational view thereof;

FIG. 10 illustrates a rear elevational view thereof;

FIG. 11 illustrates a right side elevational view thereof;

FIG. 12 illustrates a left side elevational view thereof;

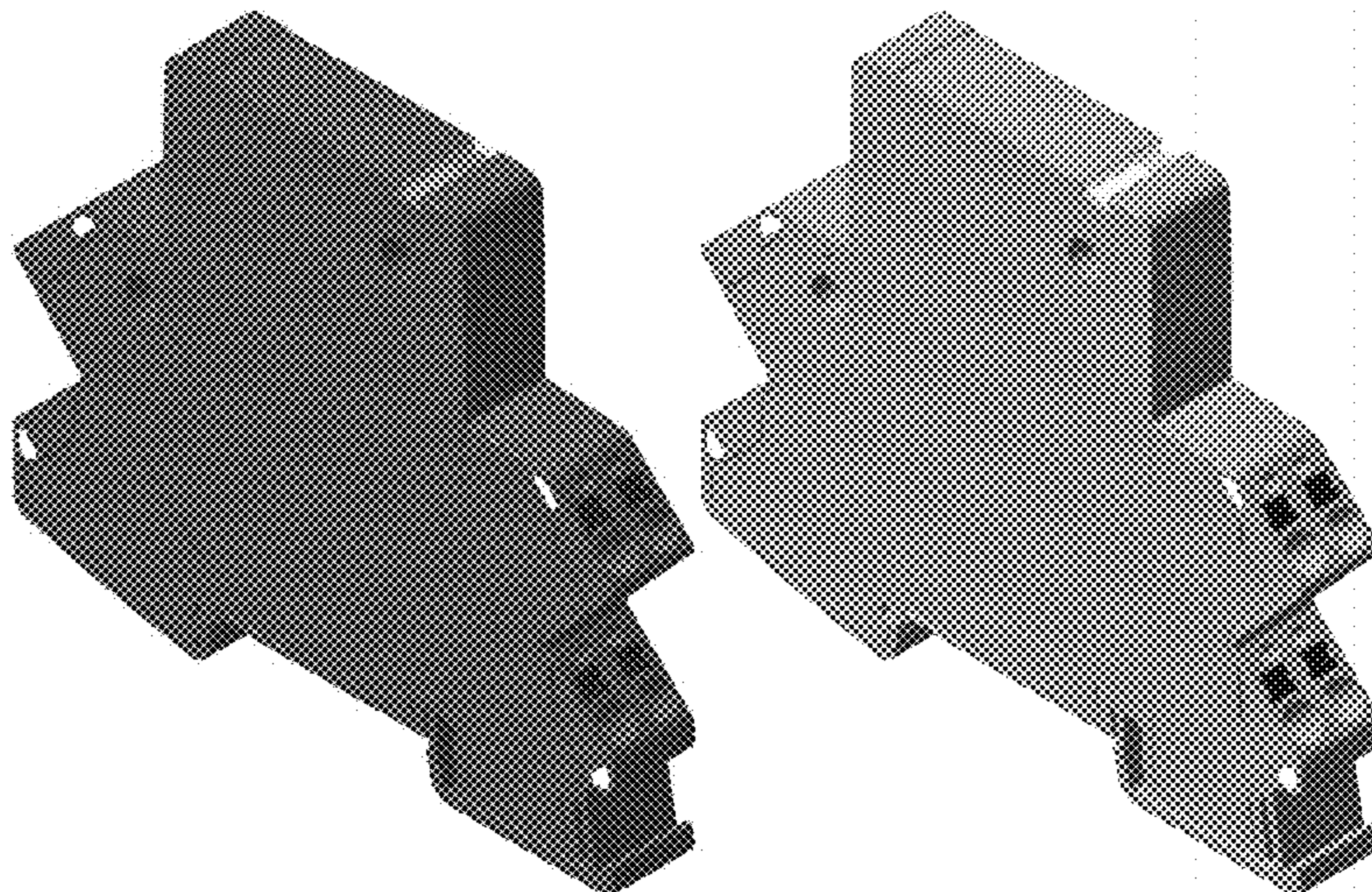
FIG. 13 illustrates a top plan view thereof; and,

FIG. 14 illustrates a bottom plan view thereof.

The broken lines in the drawings illustrate portions of the surge protection device that form no part of the claimed design.

The unshaded surfaces form no part of the claimed design.

1 Claim, 14 Drawing Sheets
(7 of 14 Drawing Sheet(s) Filed in Color)



(58) **Field of Classification Search**

CPC .. G06F 13/00; H01R 4/48; H01R 9/00; H01R 9/22; H01R 9/24; H01R 9/26; H05K 5/00; H05K 5/02

See application file for complete search history.

2012/0071038	A1*	3/2012	Ondusko	G01K 7/023 439/884
2013/0052884	A1*	2/2013	Hanses	H01R 9/2683 439/816
2018/0375228	A1*	12/2018	Yu	H01R 13/53
2020/0411259	A1*	12/2020	Loos	H01H 9/446

(56)

References Cited

U.S. PATENT DOCUMENTS

D773,404	S *	12/2016	Li	D13/160
D792,352	S *	7/2017	Masaki	D13/159
D811,350	S *	2/2018	Huettemeier	D13/158
D920,929	S *	6/2021	Mueller	D13/159
2002/0168903	A1*	11/2002	Habedank	H02B 1/052 439/716
2008/0096441	A1*	4/2008	Eppe	H01R 9/26 439/816
2009/0157937	A1*	6/2009	Kuschke	H01R 9/2675 710/305

OTHER PUBLICATIONS

SD32X | MTL Surge Protection Device, dated Nov. 26, 2020, [online], [site visited Jul. 27, 2021]. Available from Internet, URL: <https://www.quicktimeonline.com/sd32x> (Year: 2020).*

Universeller Kombiableiter BLITZDUCTORconnect: Einfach. Sicher. Leistungsstark., dated Apr. 29, 2020, [online], [site visited Jul. 27, 2021]. Available from Internet, URL: https://www.youtube.com/watch?v=eoSkyoliK44&list=PLG7416onBNnlUqbayXhJRcW67qjgXP_th&index=2 (Year: 2020).*

* cited by examiner

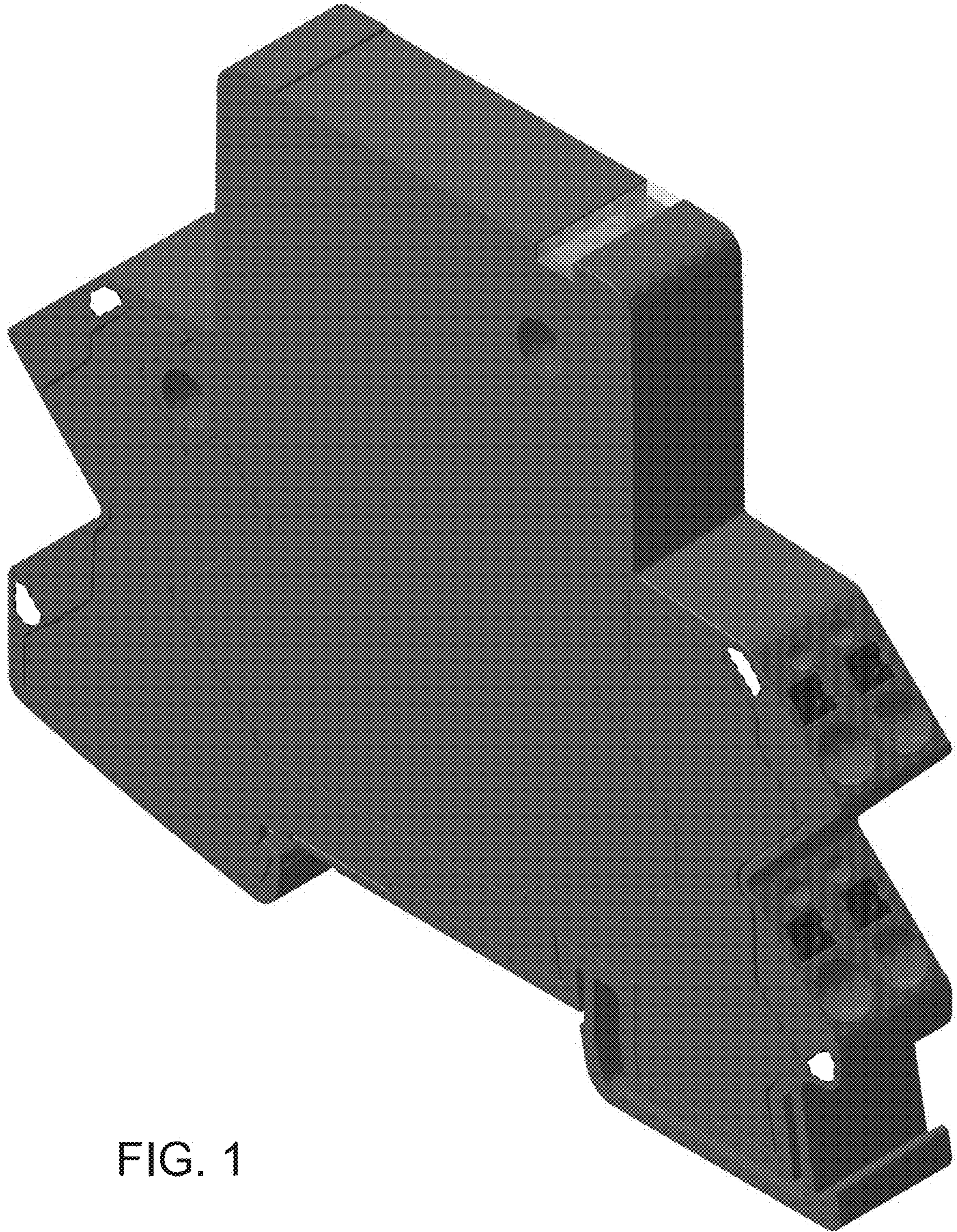


FIG. 1

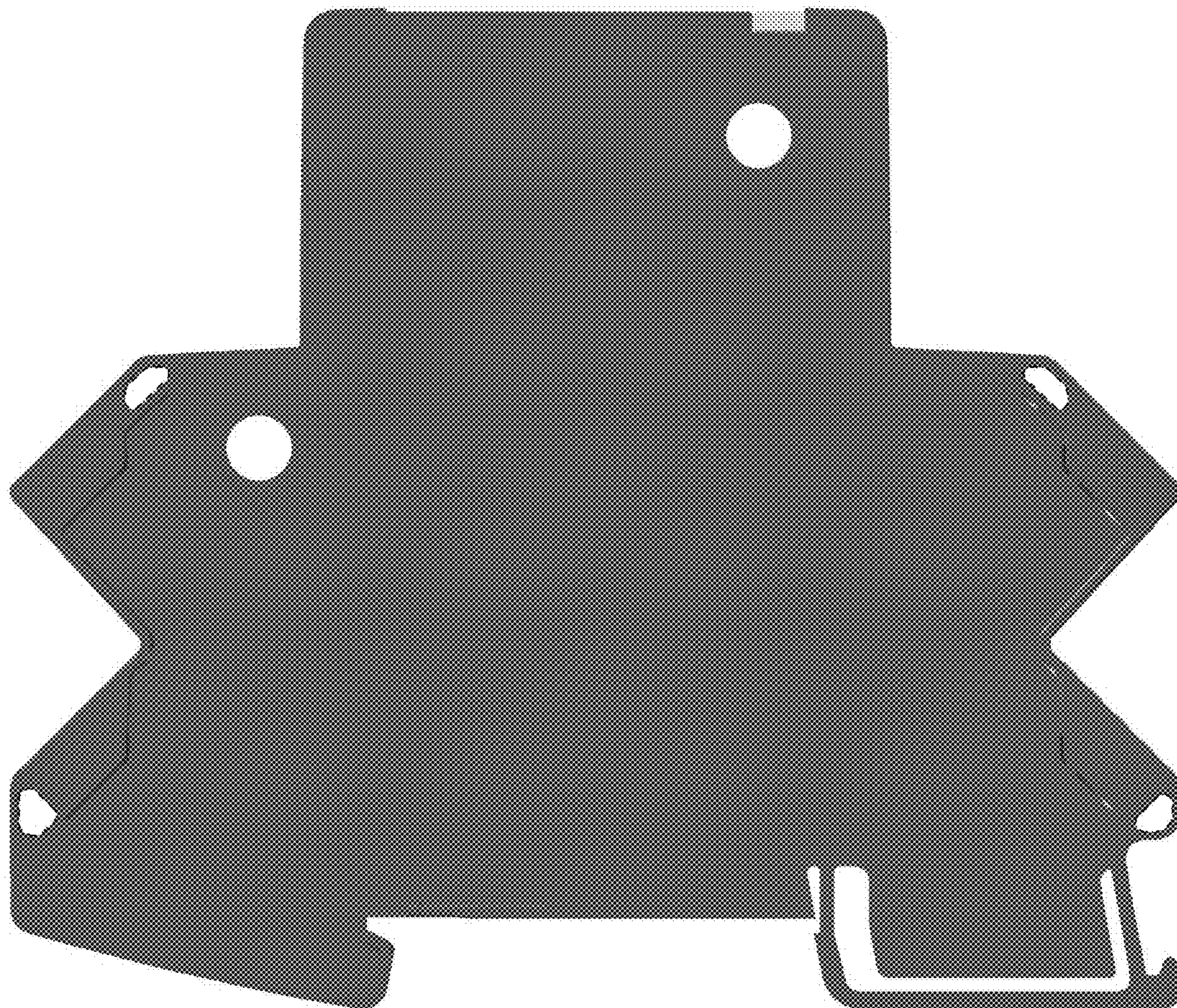


FIG. 2

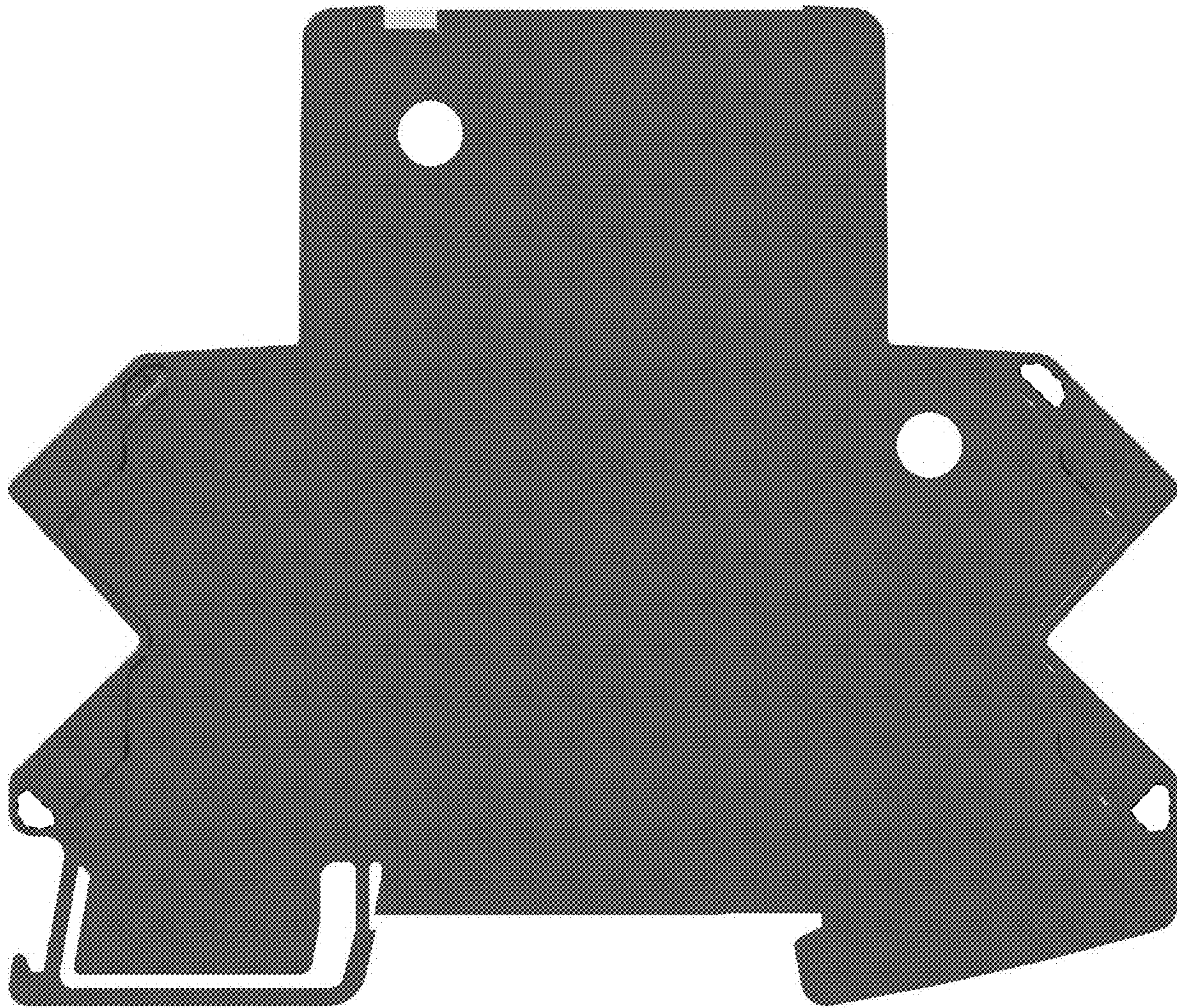


FIG. 3

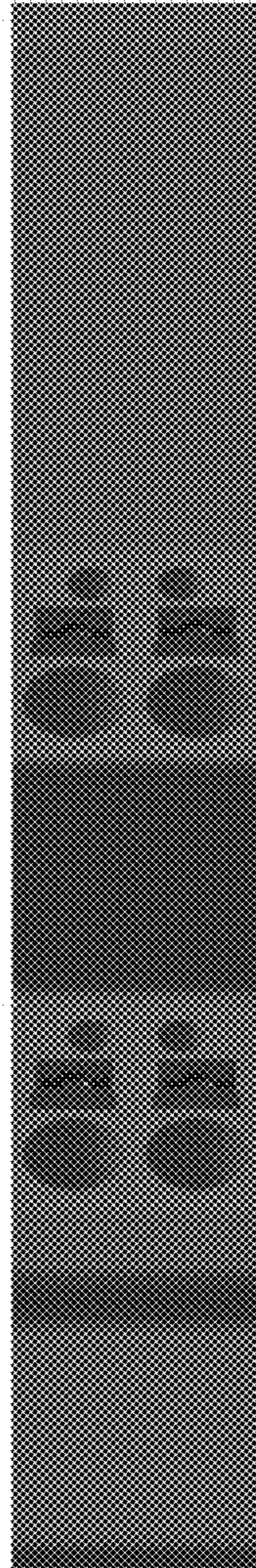


FIG. 4

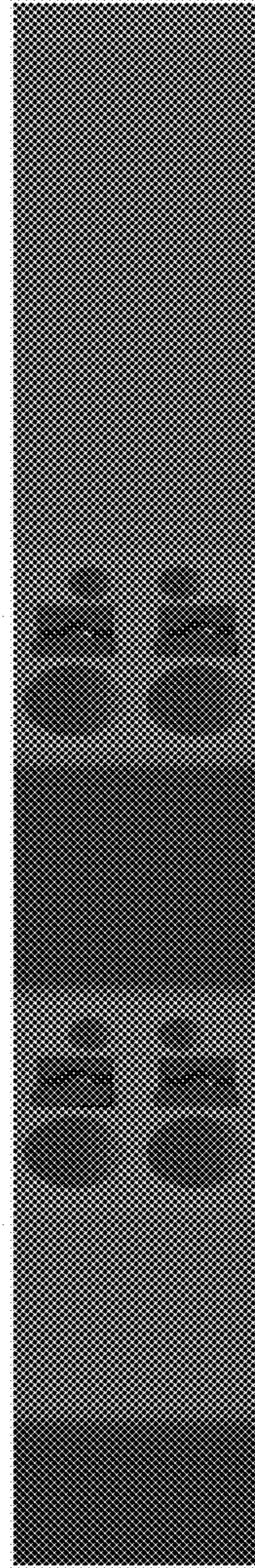


FIG. 5



FIG. 6



FIG. 7

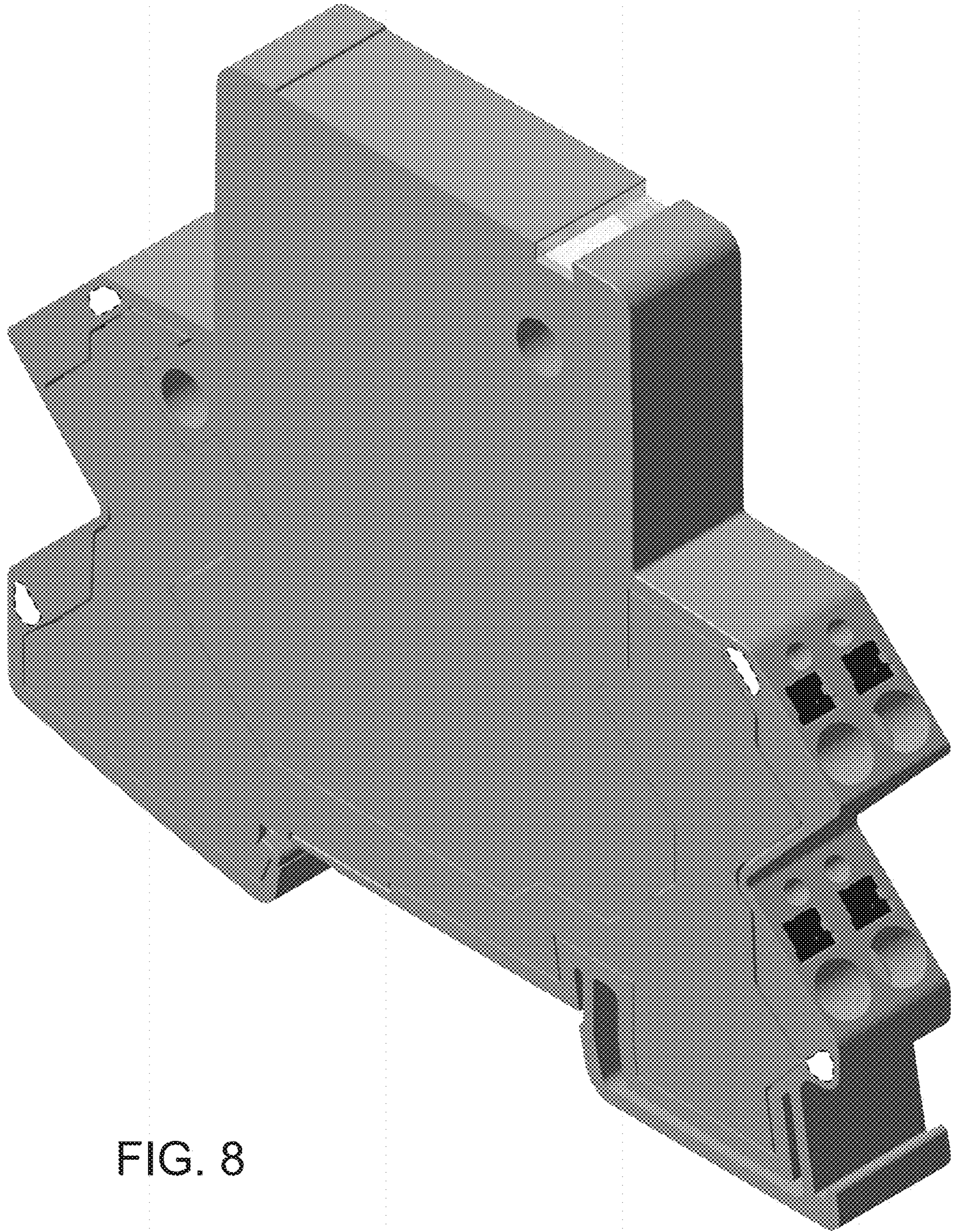


FIG. 8

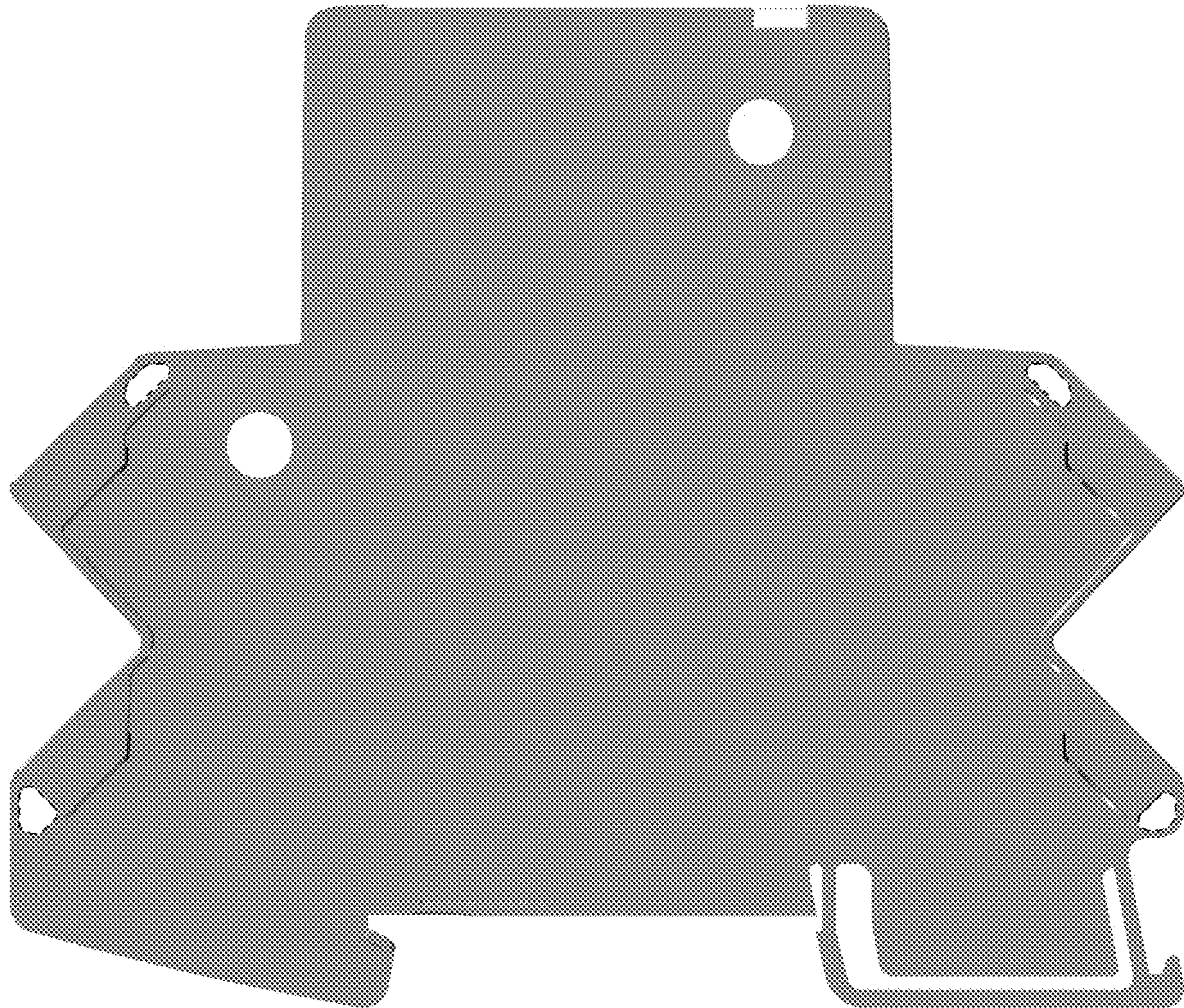


FIG. 9

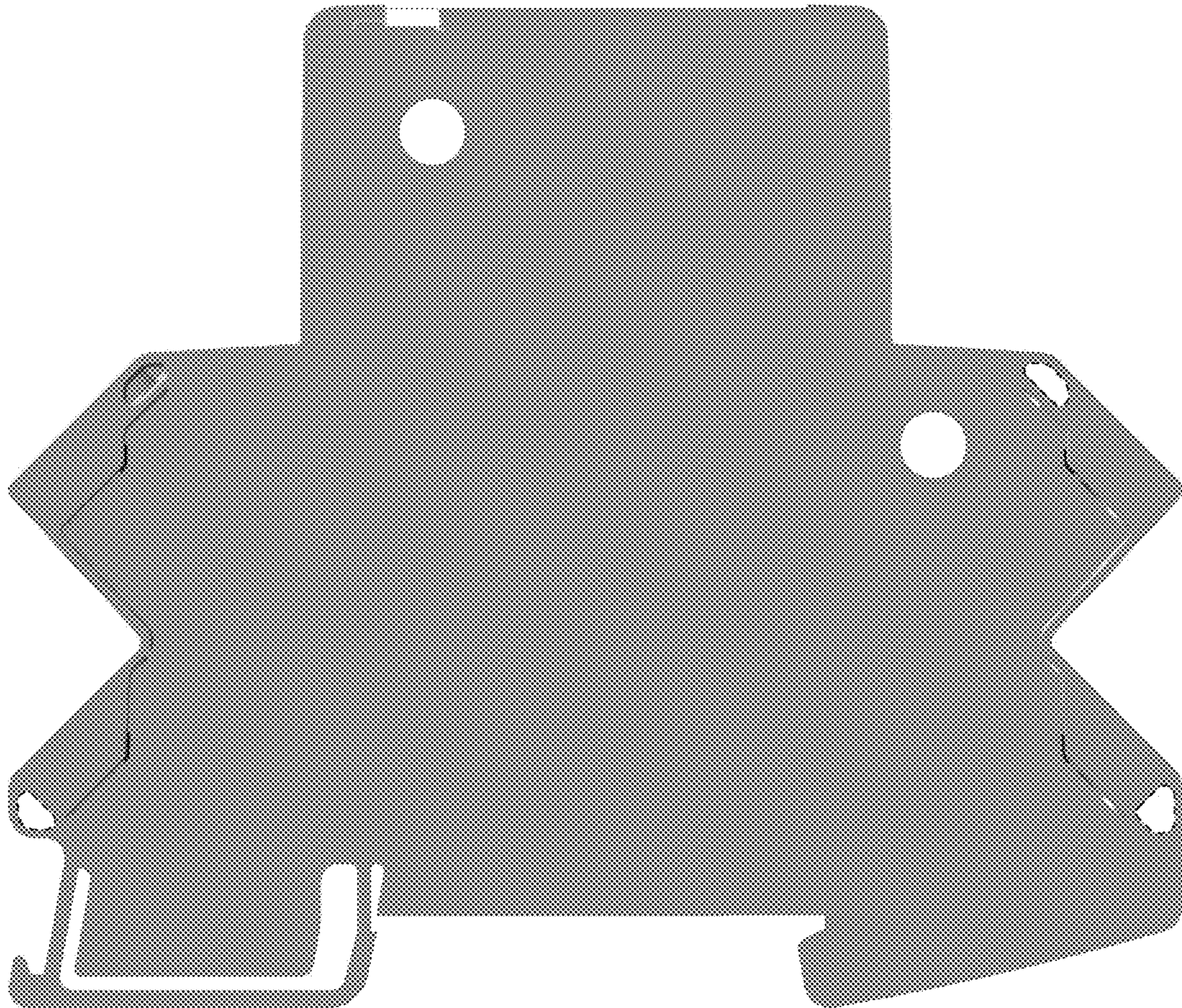


FIG. 10

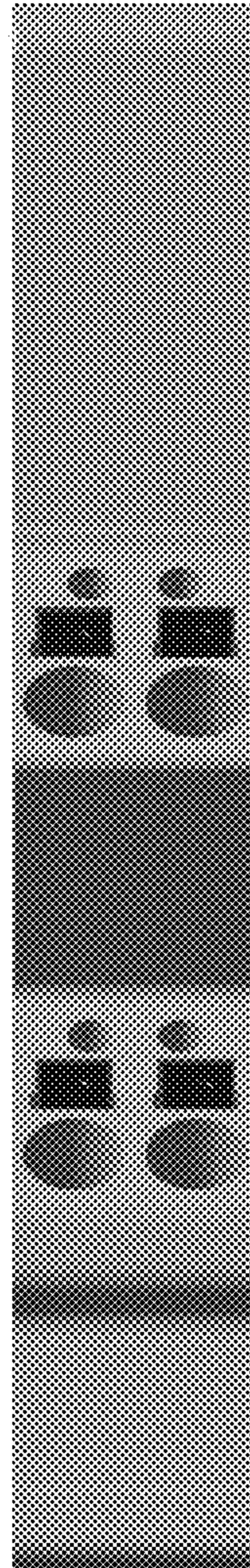


FIG. 11

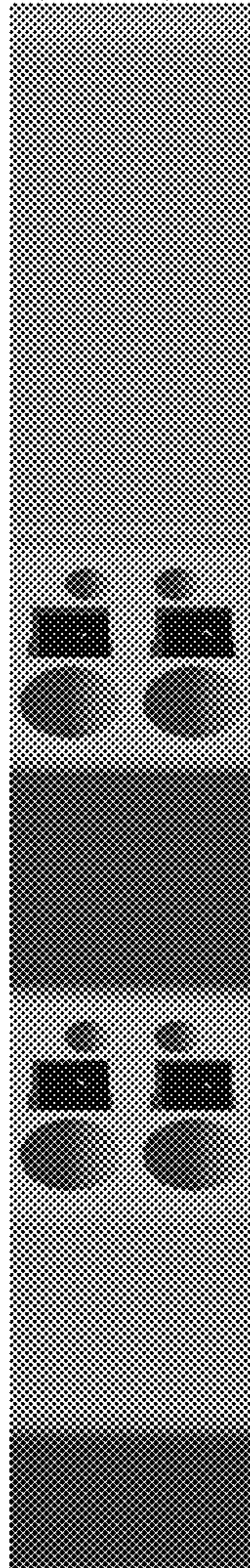


FIG. 12

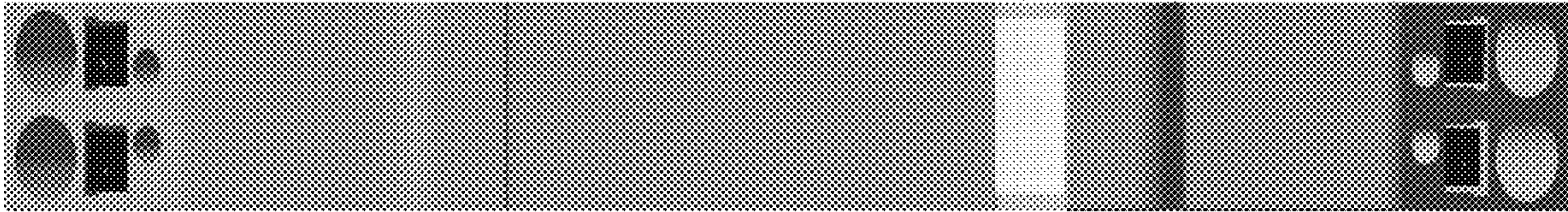


FIG. 13

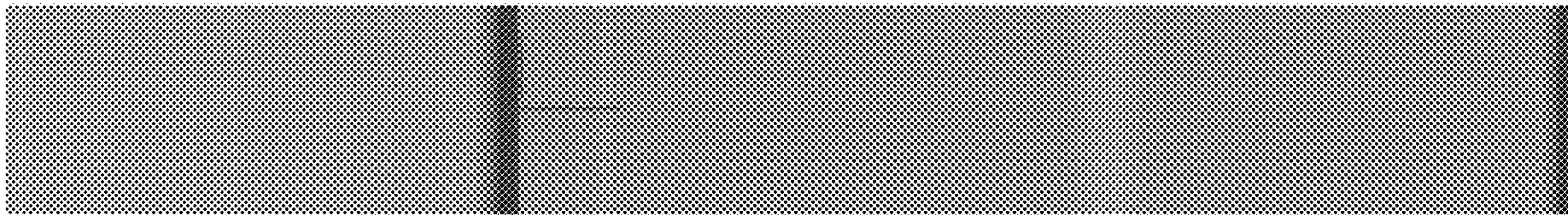


FIG. 14