



US00D952576S

(12) **United States Design Patent** (10) **Patent No.:** **US D952,576 S**
Hess et al. (45) **Date of Patent:** **** *May 24, 2022**

(54) **SURGE PROTECTION DEVICE**

- (71) Applicant: **DEHN SE + Co KG**, Neumarkt (DE)
- (72) Inventors: **Michael Hess**, Neumarkt (DE); **Florian Gäck**, Neumarkt (DE); **Julius Maria Schrafl**, Neumarkt (DE)
- (73) Assignee: **DEHN SE**, Neumarkt/Opf. (DE)
- (*) Notice: This patent is subject to a terminal disclaimer.
- (**) Term: **15 Years**
- (21) Appl. No.: **29/745,354**
- (22) Filed: **Aug. 5, 2020**

(30) **Foreign Application Priority Data**

Feb. 5, 2020 (EM) 007664156

(51) **LOC (13) Cl.** **13-03**

(52) **U.S. Cl.**
USPC **D13/160**

(58) **Field of Classification Search**
USPC D13/123, 133, 158-162, 173, 178, 184, D13/199
CPC .. G06F 13/00; H01R 4/48; H01R 9/00; H01R 9/22; H01R 9/24; H01R 9/26; H05K 5/00; H05K 5/02
See application file for complete search history.

(56) **References Cited**

U.S. PATENT DOCUMENTS

- 7,462,063 B1 * 12/2008 Correll H01R 9/2416
439/460
- 8,647,157 B2 * 2/2014 Gan H01H 71/082
439/716
- D700,897 S * 3/2014 Min D13/159
- D732,483 S * 6/2015 Min D13/159

(Continued)

FOREIGN PATENT DOCUMENTS

- DE 40407035-0002 * 10/2005
- JP 07045348 A * 2/1995

OTHER PUBLICATIONS

BLITZDUCTORconnect: secR Modulverriegelung, dated Apr. 9, 2020, [online], [site visited Jul. 27, 2021]. Available from Internet, URL: <https://www.youtube.com/watch?v=OvGjJITf0E&t=2s> (Year: 2020).*

(Continued)

Primary Examiner — Shawn T Gingrich

(74) *Attorney, Agent, or Firm* — Millen, White, Zelano & Branigan, P.C.; William F. Nixon

(57) **CLAIM**

The ornamental design for a surge protection device, as shown and described.

DESCRIPTION

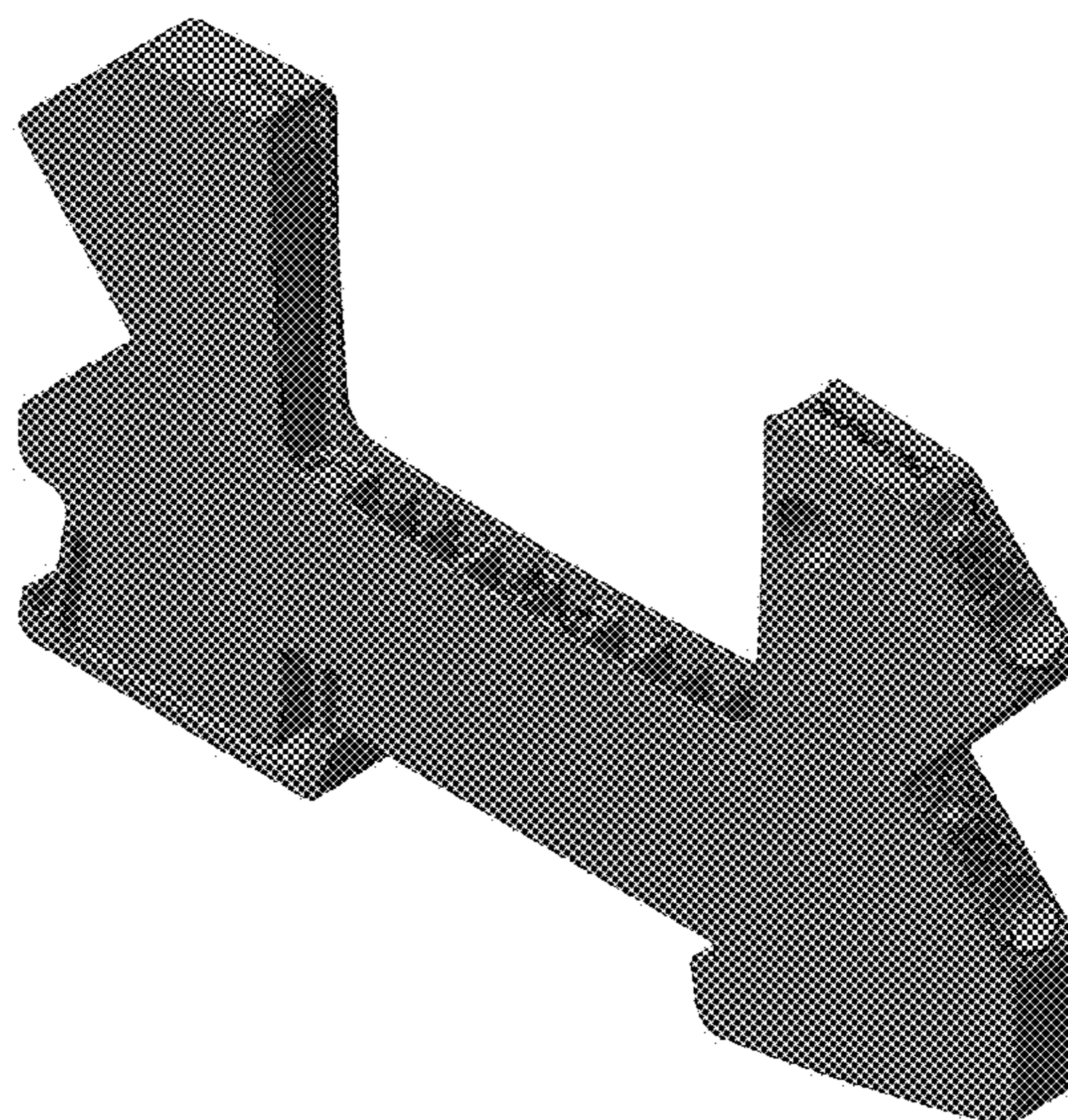
The patent or application contains at least one drawing executed in color. Copies of this patent or patent application publication with color drawing(s) will be provided by the Office upon request and payment of the necessary fee.

FIG. 1 illustrates a front perspective view of a surge protection device showing our new design;
FIG. 2 illustrates a front elevational view thereof;
FIG. 3 illustrates a rear elevational view thereof;
FIG. 4 illustrates a right side elevational view thereof;
FIG. 5 illustrates a left side elevational view thereof;
FIG. 6 illustrates a top plan view thereof; and,
FIG. 7 illustrates a bottom plan view thereof.

The broken lines shown throughout the views depict unclaimed portions of the surge protection device and form no part of the claimed design.

The unshaded surfaces form no part of the claimed design.

1 Claim, 7 Drawing Sheets
(7 of 7 Drawing Sheet(s) Filed in Color)



(56)

References Cited

U.S. PATENT DOCUMENTS

9,099,795 B2 * 8/2015 Hanses H04N 5/332
D792,352 S * 7/2017 Masaki D13/159
D901,401 S * 11/2020 Mueller D13/159
D901,402 S * 11/2020 Mueller D13/159
2010/0146167 A1 * 6/2010 Rasche G05B 19/054
710/100
2013/0052884 A1 * 2/2013 Hanses H01R 9/2683
439/816
2014/0113503 A1 * 4/2014 Barber H01R 13/506
439/712
2014/0342618 A1 * 11/2014 France H01R 9/2608
439/709
2017/0162955 A1 * 6/2017 Berg H01R 13/70
2019/0288411 A1 * 9/2019 Masaki H01R 9/223
2019/0288412 A1 * 9/2019 Masaki H01R 9/26
2019/0288414 A1 * 9/2019 Masaki H01R 9/2608

OTHER PUBLICATIONS

SD32X | MTL Surge Protection Device, dated Nov. 26, 2020, [online], [site visited Jul. 27, 2021]. Available from Internet, URL: <https://www.quicktimeonline.com/sd32x> (Year: 2020).*

Universeller Kombibleiter BLITZDUCTORconnect: Einfach. Sicher. Leistungsstark., dated Apr. 29, 2020, [online], [site visited Jul. 27, 2021]. Available from Internet, URL: https://www.youtube.com/watch?v=eoSKyoliK44&list=PLG7416onBNnlUqbayXhJRcW67qjgXP_th&index=2 (Year: 2020).*

BLITZDUCTORconnect: Signalunterbrechung durch gedrehtes Stecken des Moduls, dated Apr. 9, 2020, [online], [site visited Jul. 27, 2021]. Available from Internet, URL: https://www.youtube.com/watch?v=Ea0ek0_Fqss (Year: 2020).*

* cited by examiner

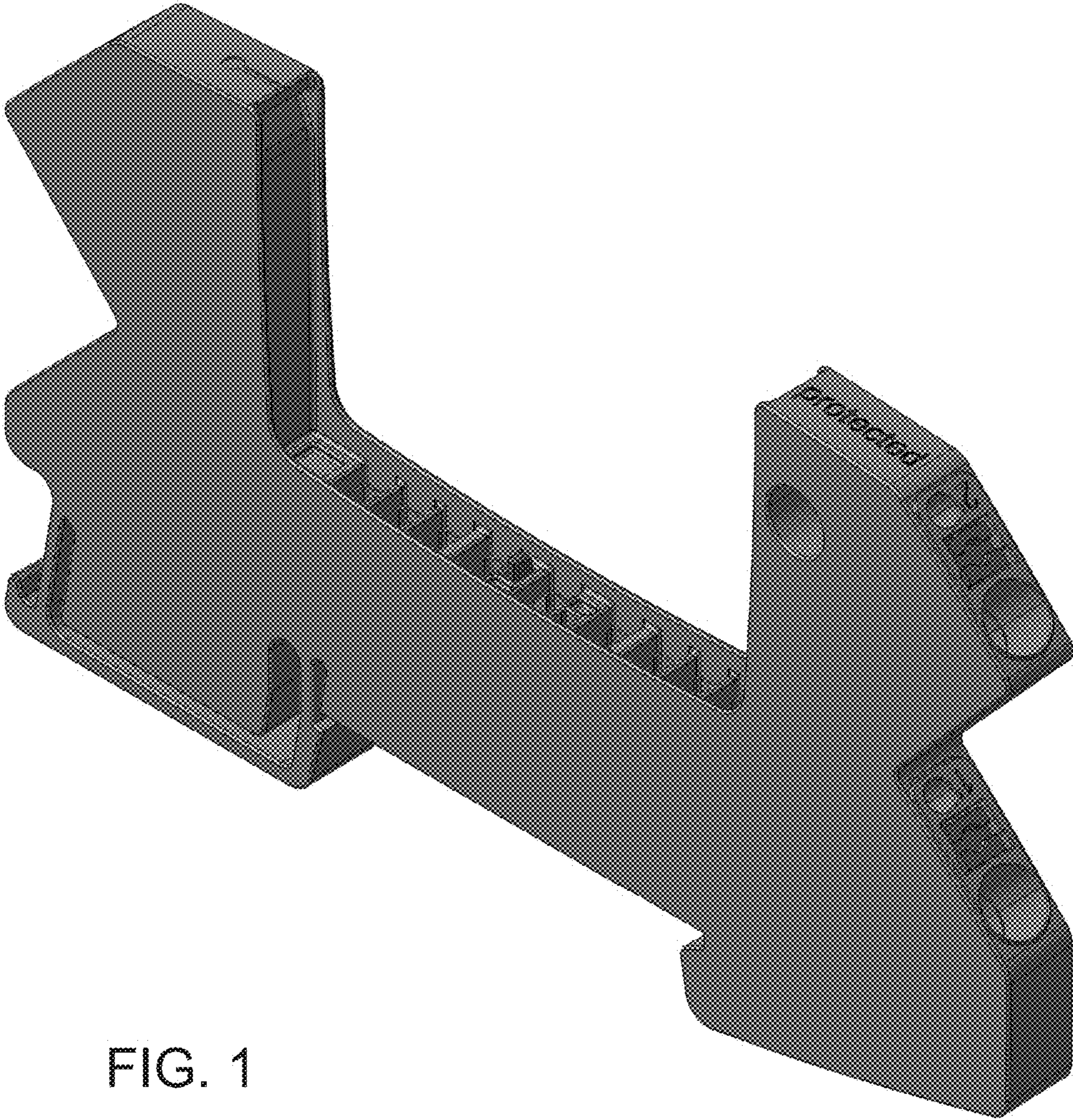


FIG. 1

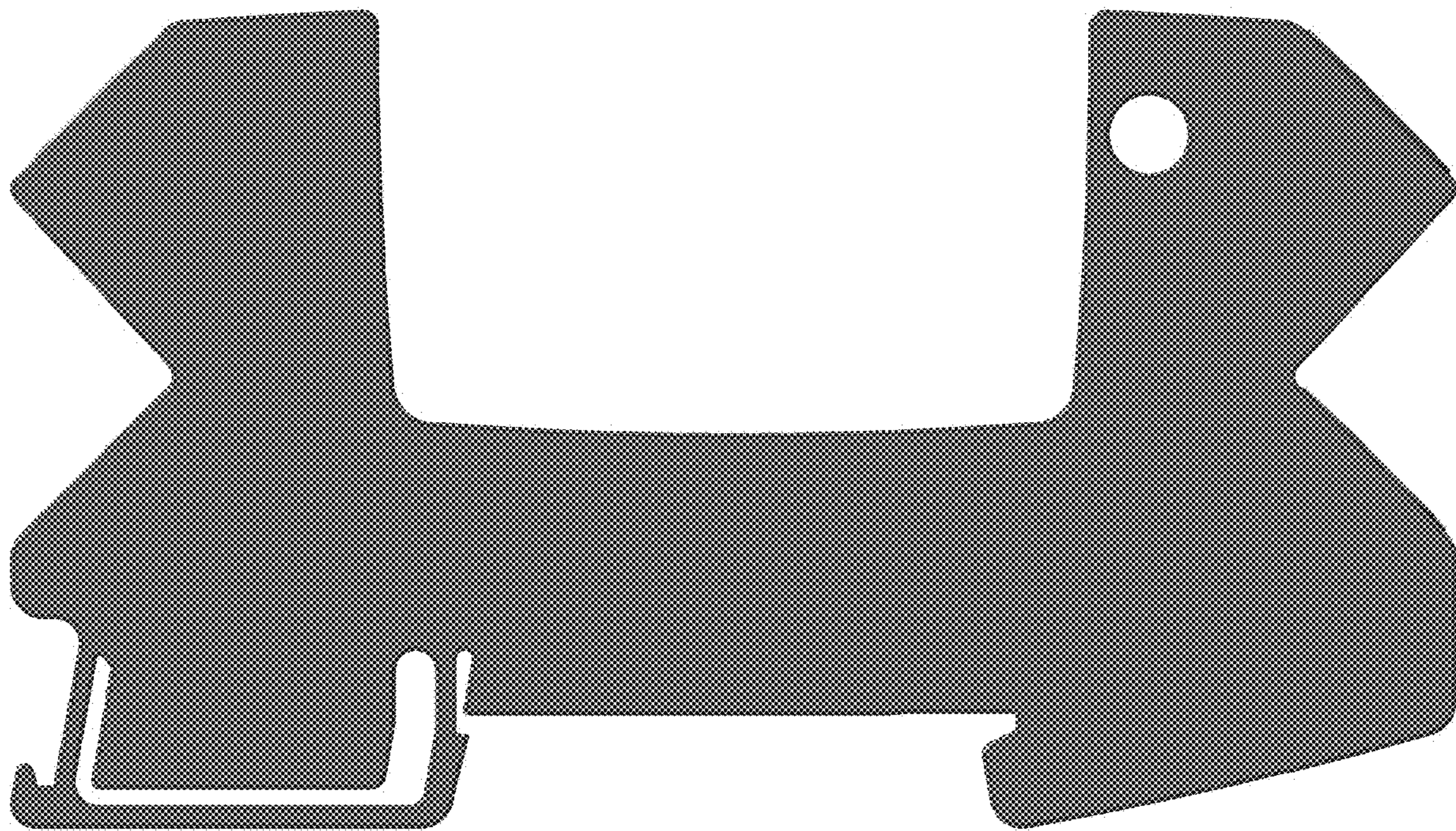


FIG. 2

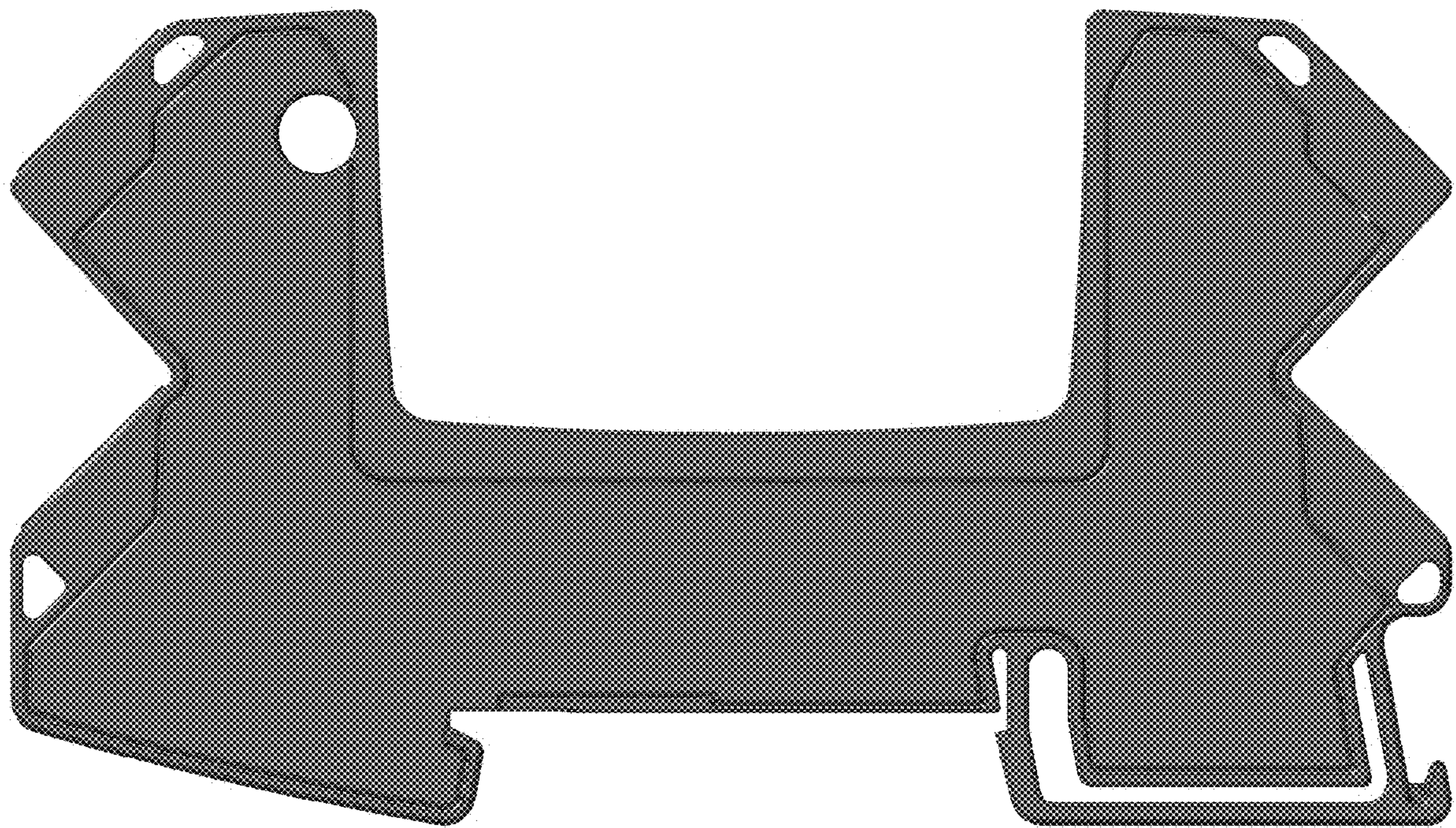


FIG. 3

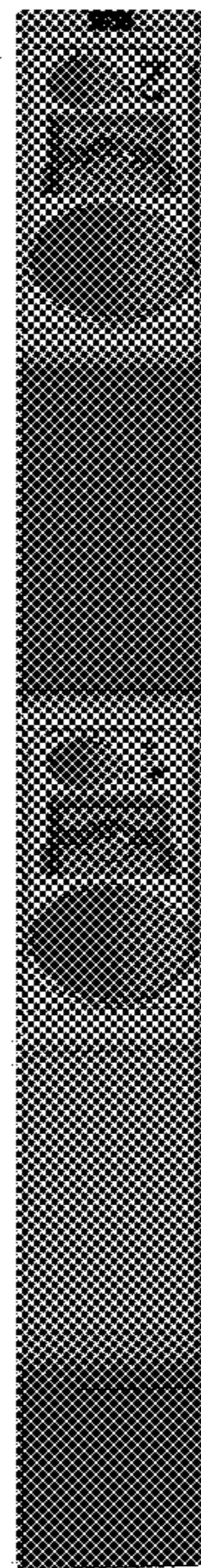


FIG. 4



FIG. 5

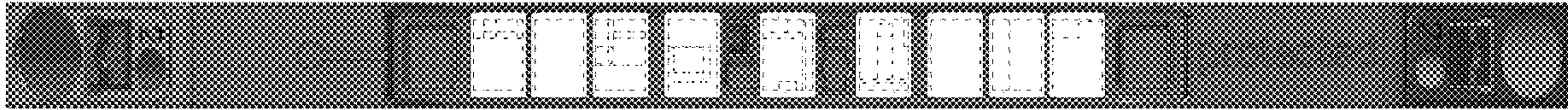


FIG. 6

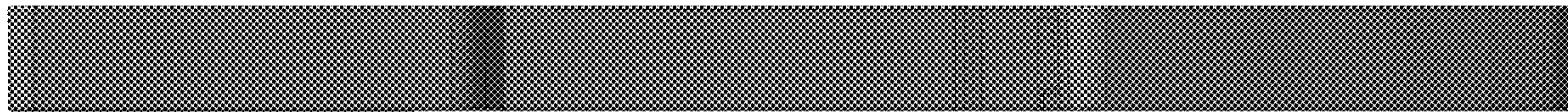


FIG. 7