



US00D952574S

(12) **United States Design Patent**  
**Hess et al.**

(10) **Patent No.:** **US D952,574 S**

(45) **Date of Patent:** **\*\* \*May 24, 2022**

(54) **SURGE PROTECTION DEVICE**

(71) Applicant: **DEHN SE + Co KG**, Neumarkt (DE)

(72) Inventors: **Michael Hess**, Neumarkt (DE); **Florian Gäck**, Neumarkt (DE); **Julius Maria Schrafl**, Neumarkt (DE)

(73) Assignee: **DEHN SE**, Neumarkt/Opf. (DE)

(\*) Notice: This patent is subject to a terminal disclaimer.

(\*\*) Term: **15 Years**

(21) Appl. No.: **29/745,320**

(22) Filed: **Aug. 5, 2020**

(30) **Foreign Application Priority Data**

Feb. 5, 2020 (EM) ..... 007664156

(51) **LOC (13) Cl.** ..... **13-03**

(52) **U.S. Cl.**  
USPC ..... **D13/160**

(58) **Field of Classification Search**  
USPC ..... D13/123, 133, 158-162, 173, 178, 184,  
D13/199

(Continued)

(56) **References Cited**

**U.S. PATENT DOCUMENTS**

7,462,063 B1 \* 12/2008 Correll ..... H01R 9/2416  
439/460

8,647,157 B2 \* 2/2014 Gan ..... H01H 71/082  
439/716

(Continued)

**FOREIGN PATENT DOCUMENTS**

DE 40407035-0002 \* 10/2005  
JP 07045348 A \* 2/1995

**OTHER PUBLICATIONS**

BLITZDUCTORconnect: secR Modulverriegelung, dated Apr. 9, 2020, [online], [site visited Jul. 27, 2021]. Available from Internet,

URL: <https://www.youtube.com/watch?v=-OvGjJITf0E&t=2s> (Year: 2020).\*

(Continued)

*Primary Examiner* — Shawn T Gingrich

(74) *Attorney, Agent, or Firm* — Millen, White, Zelano & Branigan, P.C.; William F. Nixon

(57) **CLAIM**

The ornamental design for a surge protection device, as shown and described.

**DESCRIPTION**

The patent or application contains at least one drawing executed in color. Copies of this patent or patent application publication with color drawing(s) will be provided by the Office upon request and payment of the necessary fee.

FIG. 1 illustrates a front perspective view of a surge protection device showing our new design;

FIG. 2 illustrates a front elevational view thereof;

FIG. 3 illustrates a rear elevational view thereof;

FIG. 4 illustrates a right side elevational view thereof;

FIG. 5 illustrates a left side elevational view thereof;

FIG. 6 illustrates a top plan view thereof; and

FIG. 7 illustrates a bottom plan view thereof.

FIG. 8 illustrates a front perspective view of a second embodiment of a surge protection device showing our new design;

FIG. 9 illustrates a front elevational view thereof;

FIG. 10 illustrates a rear elevational view thereof;

FIG. 11 illustrates a right side elevational view thereof;

FIG. 12 illustrates a left side elevational view thereof;

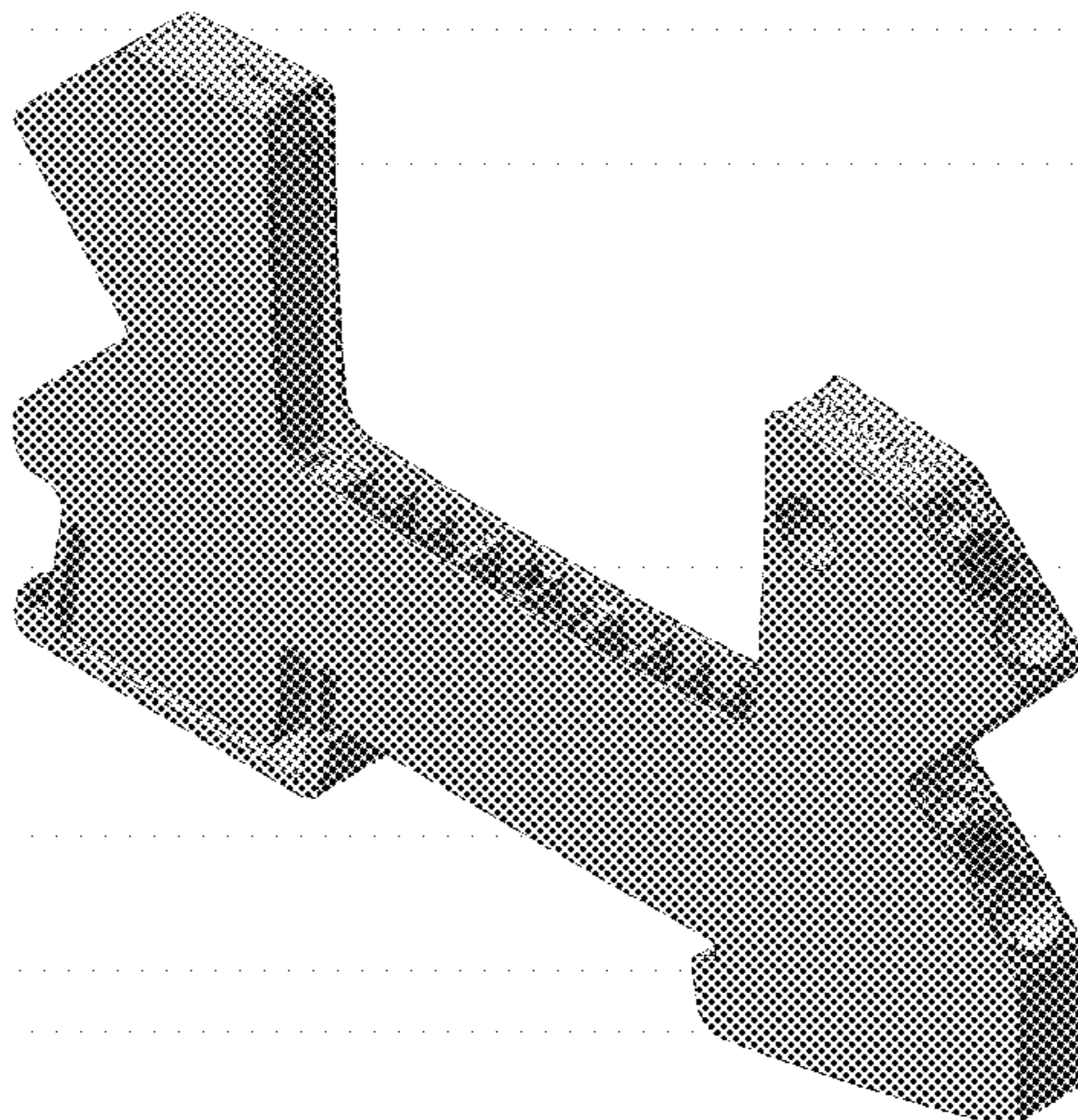
FIG. 13 illustrates a top plan view thereof; and,

FIG. 14 illustrates a bottom plan view thereof.

The broken lines shown throughout the views depict unclaimed portions of the surge protection device and form no part of the claimed design.

The unshaded surfaces form no part of the claimed design.

**1 Claim, 14 Drawing Sheets**  
**(7 of 14 Drawing Sheet(s) Filed in Color)**



(58) **Field of Classification Search**

CPC .. G06F 13/00; H01R 4/48; H01R 9/00; H01R 9/22; H01R 9/24; H01R 9/26; H05K 5/00; H05K 5/02

See application file for complete search history.

2014/0342618	A1*	11/2014	France	.....	H01R 9/2608 439/709
2017/0162955	A1*	6/2017	Berg	.....	H01R 13/70
2019/0288411	A1*	9/2019	Masaki	.....	H01R 9/223
2019/0288412	A1*	9/2019	Masaki	.....	H01R 9/26
2019/0288414	A1*	9/2019	Masaki	.....	H01R 9/2608

(56)

**References Cited**

U.S. PATENT DOCUMENTS

D700,897	S *	3/2014	Min	.....	D13/159
D732,483	S *	6/2015	Min	.....	D13/159
9,099,795	B2 *	8/2015	Hanses	.....	H04N 5/332
D792,352	S *	7/2017	Masaki	.....	D13/159
D901,401	S *	11/2020	Mueller	.....	D13/159
D901,402	S *	11/2020	Mueller	.....	D13/159
2010/0146167	A1 *	6/2010	Rasche	.....	G05B 19/054 710/100
2013/0052884	A1 *	2/2013	Hanses	.....	H01R 9/2683 439/816
2014/0113503	A1 *	4/2014	Barber	.....	H01R 13/506 439/712

OTHER PUBLICATIONS

SD32X | MTL Surge Protection Device, dated Nov. 26, 2020, [online], [site visited Jul. 27, 2021]. Available from Internet, URL: <https://www.quicktimeonline.com/sd32x> (Year: 2020).\*

Universeller Kombiableiter BLITZDUCTORconnect: Einfach. Sicher. Leistungsstark., dated Apr. 29, 2020, [online], [site visited Jul. 27, 2021]. Available from Internet, URL: [https://www.youtube.com/watch?v=eoSKyoliK44&list=PLG7416onBNnlUqbayXhJRcW67qjgXP\\_th&index=2](https://www.youtube.com/watch?v=eoSKyoliK44&list=PLG7416onBNnlUqbayXhJRcW67qjgXP_th&index=2) (Year: 2020).\*

BLITZDUCTORconnect: Signalunterbrechung durch gedrehtes Stecken des Moduls, dated Apr. 9, 2020, [online], [site visited Jul. 27, 2021]. Available from Internet, URL: [https://www.youtube.com/watch?v=Ea0ek0\\_Fqss](https://www.youtube.com/watch?v=Ea0ek0_Fqss) (Year: 2020).\*

\* cited by examiner

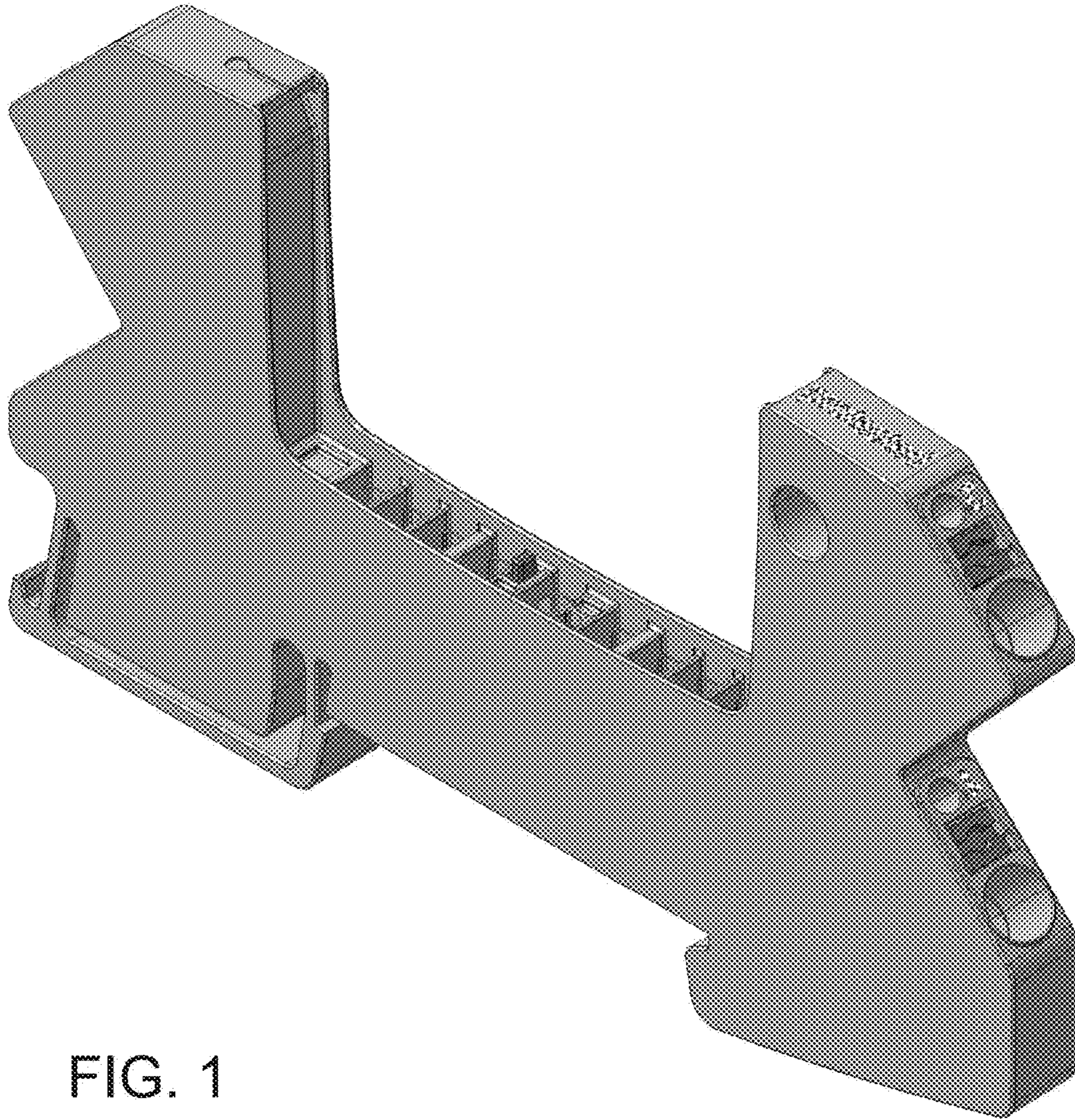


FIG. 1

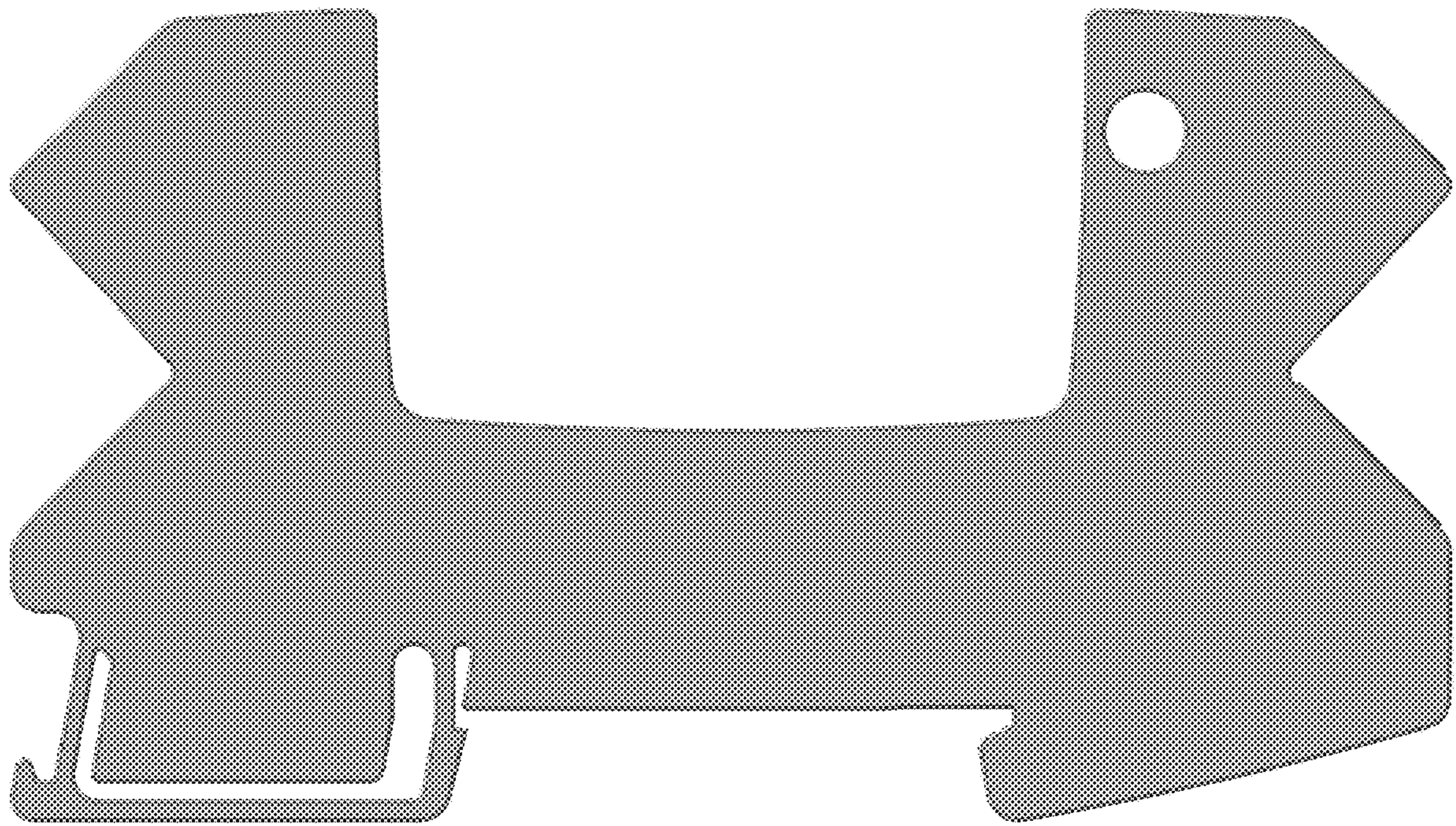


FIG. 2

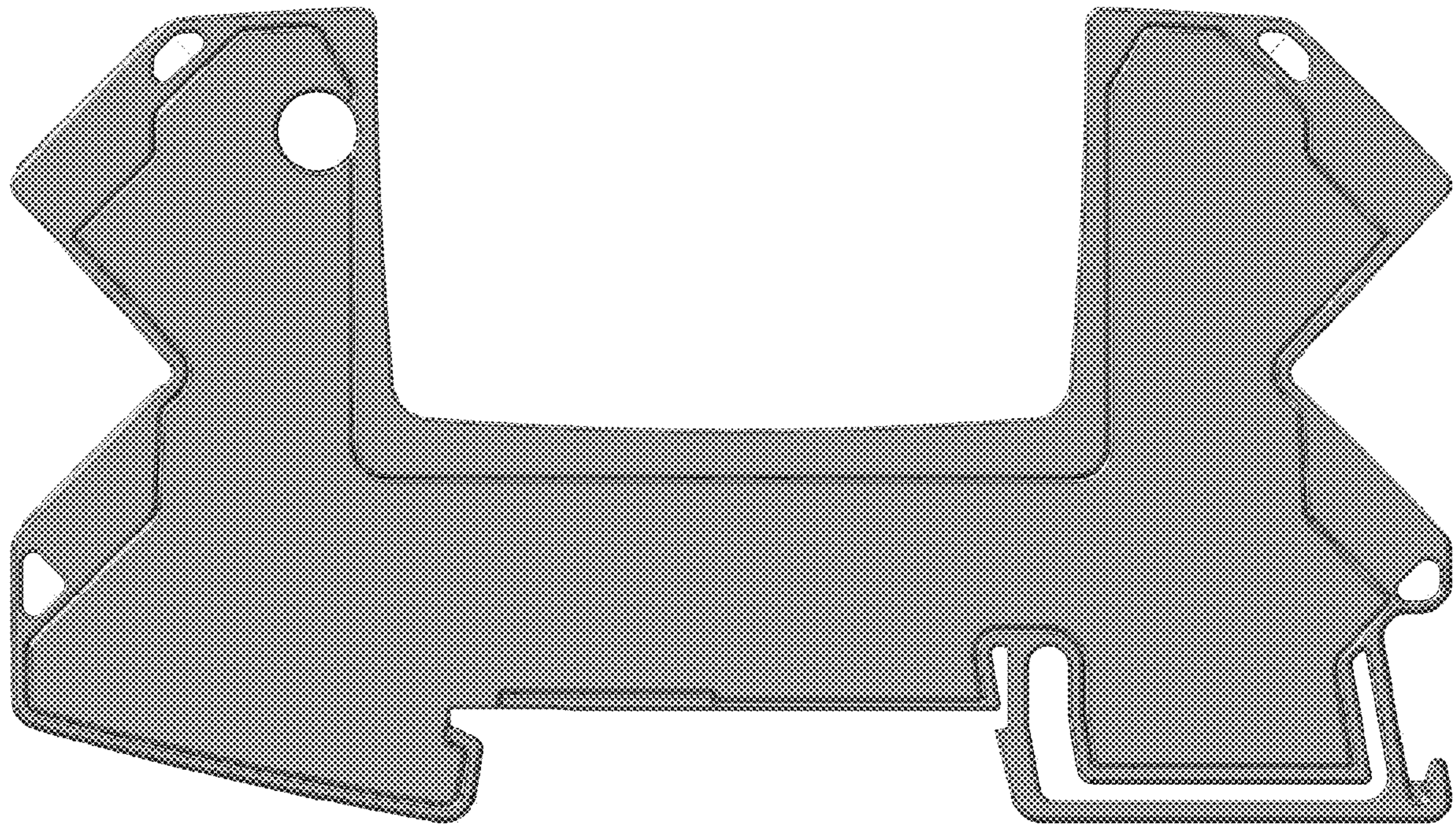


FIG. 3



FIG. 4



FIG. 5

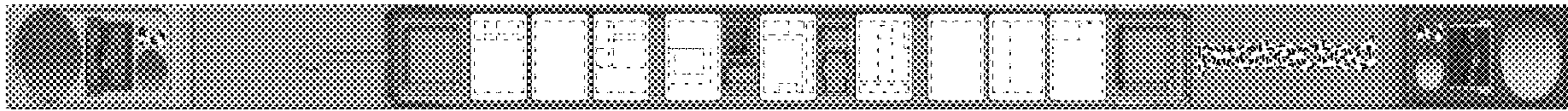


FIG. 6



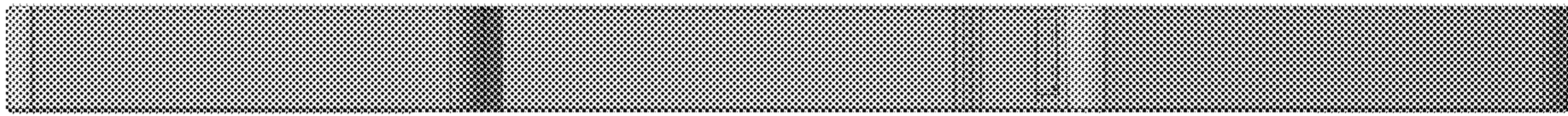


FIG. 7

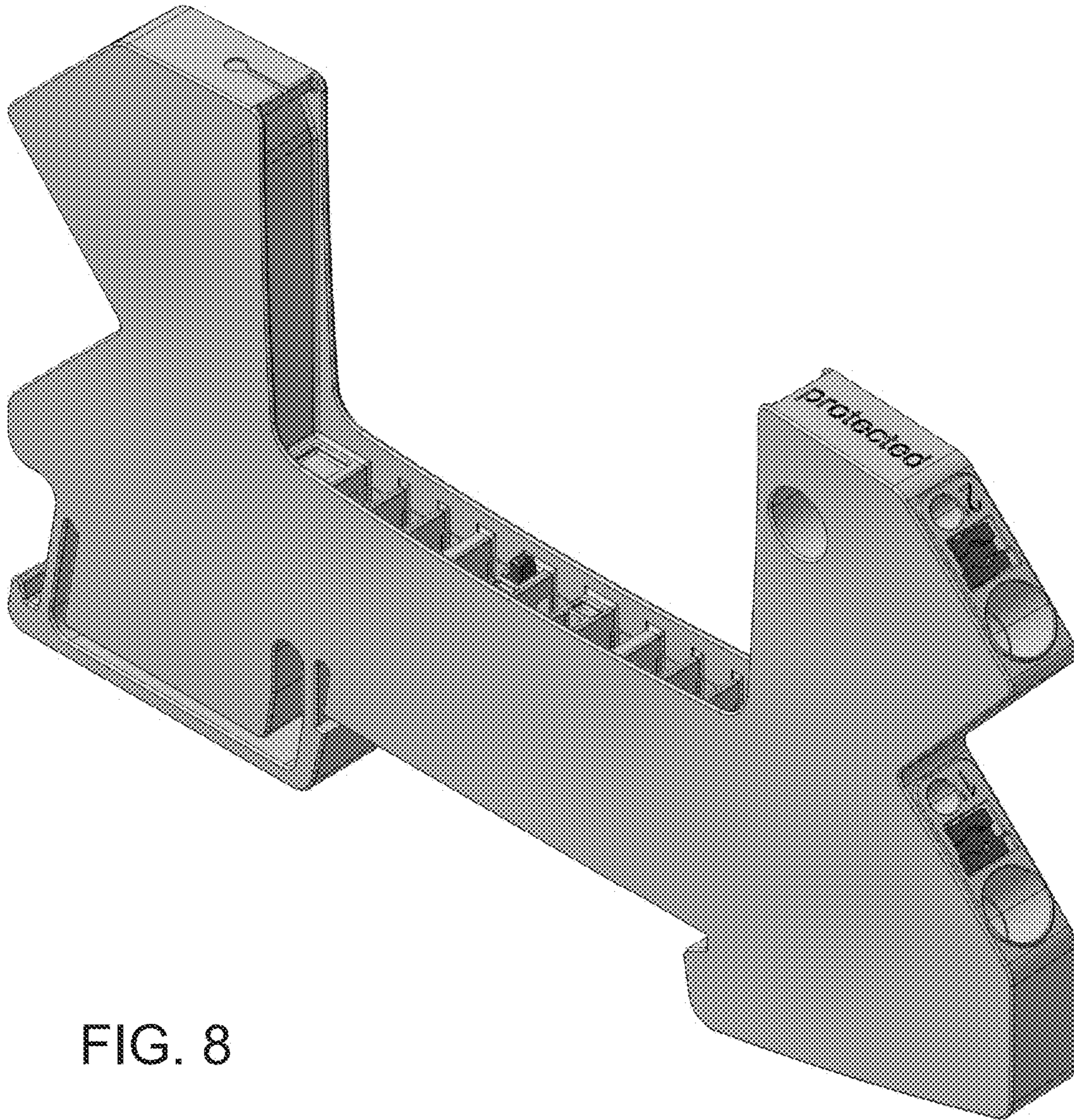


FIG. 8

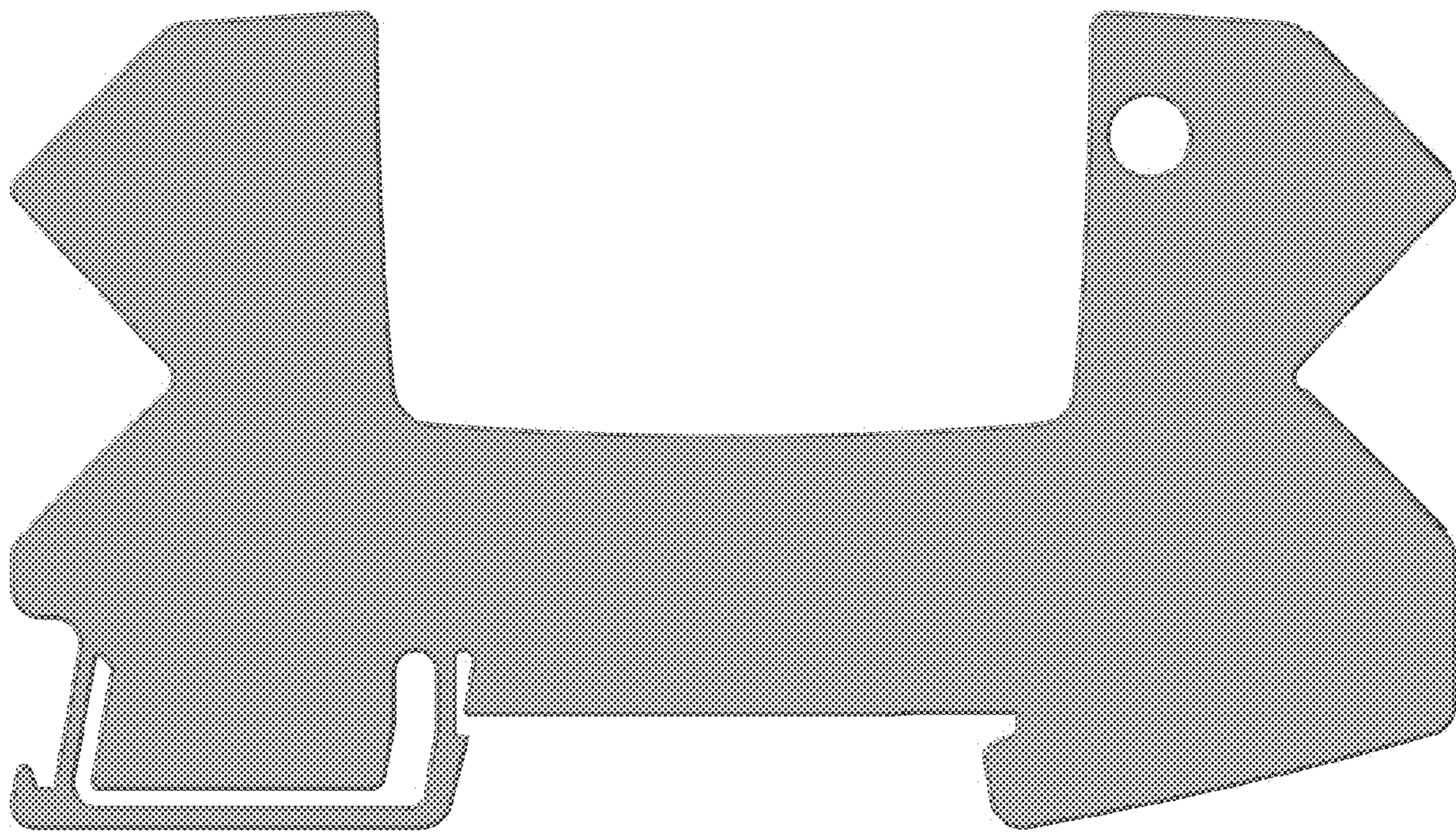


FIG. 9

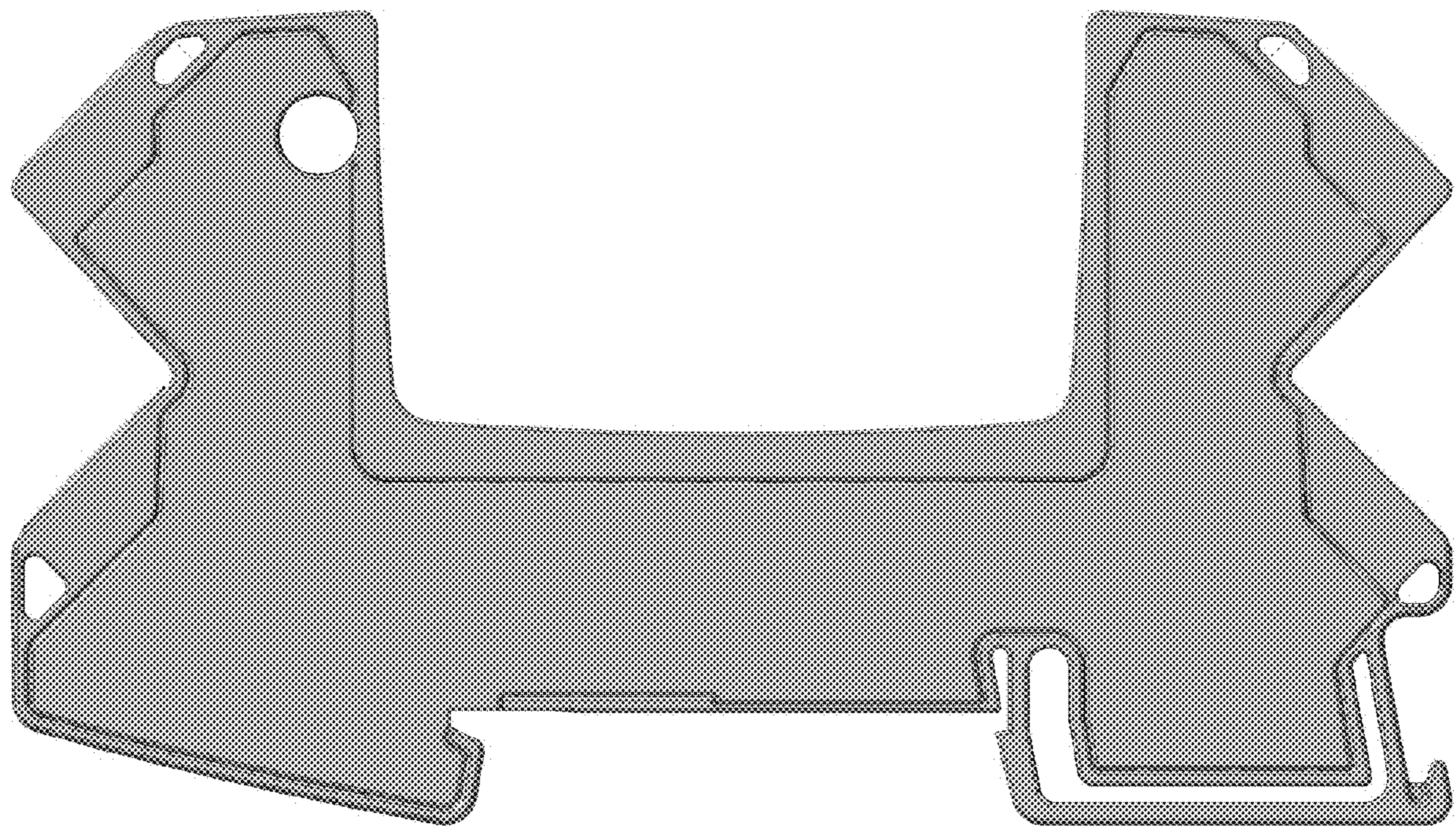


FIG. 10

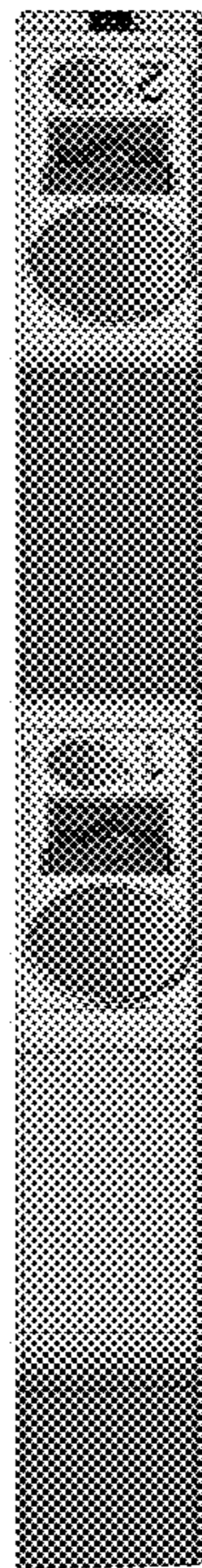


FIG. 11



FIG. 12

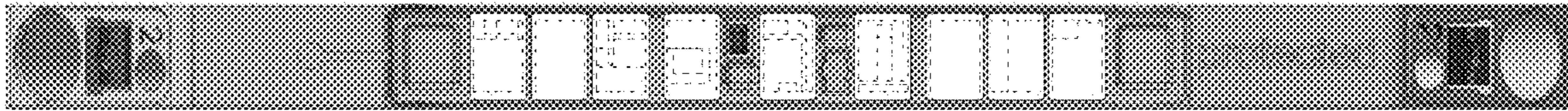


FIG. 13

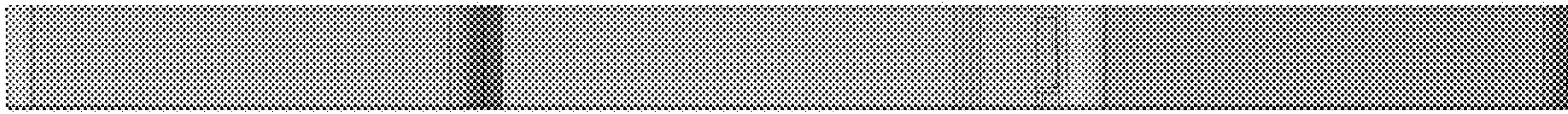


FIG. 14