



US00D952572S

(12) **United States Design Patent**
Hess et al.

(10) **Patent No.:** **US D952,572 S**

(45) **Date of Patent:** **** *May 24, 2022**

(54) **SURGE PROTECTION DEVICE**

(71) Applicant: **DEHN SE + Co KG**, Neumarkt (DE)

(72) Inventors: **Michael Hess**, Neumarkt (DE); **Florian Gäck**, Neumarkt (DE); **Julius Maria Schrafl**, Neumarkt (DE)

(73) Assignee: **DEHN SE**, Neumarkt/OPF (DE)

(*) Notice: This patent is subject to a terminal disclaimer.

(**) Term: **15 Years**

(21) Appl. No.: **29/745,303**

(22) Filed: **Aug. 5, 2020**

(30) **Foreign Application Priority Data**

Feb. 5, 2020 (EM) 007664156

(51) **LOC (13) Cl.** **13-03**

(52) **U.S. Cl.**
USPC **D13/160**

(58) **Field of Classification Search**
USPC D13/123, 133, 158-162, 173, 178, 184,
D13/199

(Continued)

(56) **References Cited**

U.S. PATENT DOCUMENTS

D752,514 S * 3/2016 Hoppmann D13/133

D772,819 S * 11/2016 Hirose D13/159

(Continued)

FOREIGN PATENT DOCUMENTS

DE 19641298 A1 * 4/1997 H01H 23/164

DE 40407035-0002 * 10/2005

OTHER PUBLICATIONS

BLITZDUCTORconnect: secR Modulverriegelung, dated Apr. 9, 2020, [online], [site visited Jul. 27, 2021]. Available from Internet,

URL: <https://www.youtube.com/watch?v=-OvGjJITf0E&t=2s> (Year: 2020).*

(Continued)

Primary Examiner — Shawn T Gingrich

(74) *Attorney, Agent, or Firm* — Millen, White, Zelano & Branigan, P.C.; William Nixon

(57) **CLAIM**

The ornamental design for a surge protection device, as shown and described.

DESCRIPTION

The patent or application contains at least one drawing executed in color. Copies of this patent or patent application publication with color drawing(s) will be provided by the Office upon request and payment of the necessary fee.

FIG. 1 illustrates a front perspective view of a surge protection device showing our new design;

FIG. 2 illustrates a front elevational view thereof;

FIG. 3 illustrates a rear elevational view thereof;

FIG. 4 illustrates a right side elevational view thereof;

FIG. 5 illustrates a left side elevational view thereof;

FIG. 6 illustrates a top plan view thereof; and

FIG. 7 illustrates a bottom plan view thereof.

FIG. 8 illustrates another front perspective view of a second embodiment of a surge protection device showing our new design;

FIG. 9 illustrates a front elevational view thereof;

FIG. 10 illustrates a rear elevational view thereof;

FIG. 11 illustrates a right side elevational view thereof;

FIG. 12 illustrates a left side elevational view thereof;

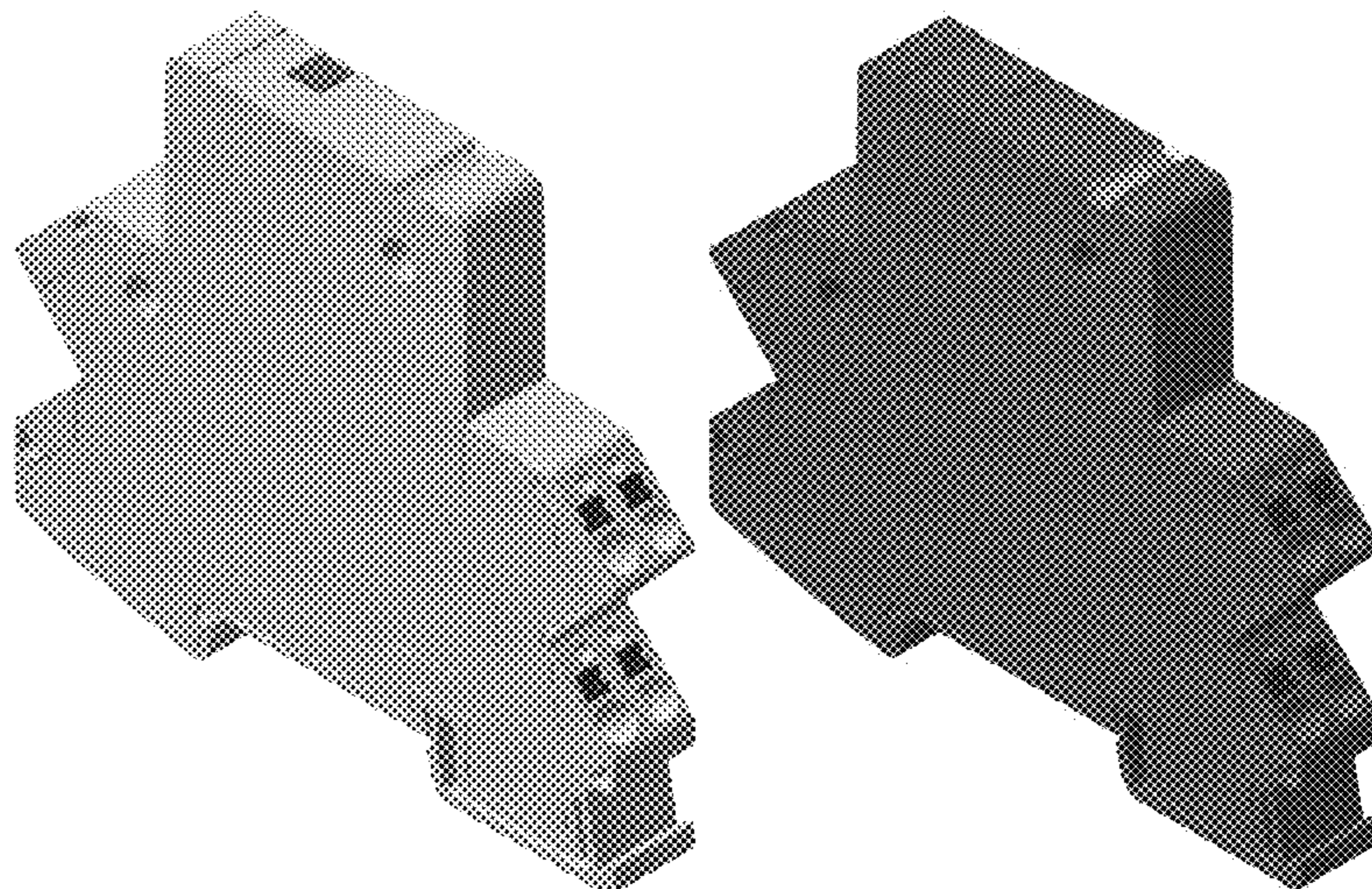
FIG. 13 illustrates a top plan view thereof; and,

FIG. 14 illustrates a bottom plan view thereof.

The broken lines in the drawings illustrate portions of the surge protection device that form no part of the claimed design.

The unshaded surfaces form no part of the claimed design.

1 Claim, 14 Drawing Sheets
(7 of 14 Drawing Sheet(s) Filed in Color)



(58) **Field of Classification Search**

CPC .. G06F 13/00; H01R 4/48; H01R 9/00; H01R 9/22; H01R 9/24; H01R 9/26; H05K 5/00; H05K 5/02

See application file for complete search history.

2012/0071038 A1* 3/2012 Ondusko G01K 7/023
439/884
2013/0052884 A1* 2/2013 Hanses H01R 9/2683
439/816
2018/0375228 A1* 12/2018 Yu H01R 13/53
2020/0411259 A1* 12/2020 Loos H01H 9/446

(56)

References Cited

U.S. PATENT DOCUMENTS

D773,404 S * 12/2016 Li D13/160
D792,352 S * 7/2017 Masaki D13/159
D811,350 S * 2/2018 Huettemeier D13/158
D920,929 S * 6/2021 Mueller D13/159
2002/0168903 A1* 11/2002 Habedank H02B 1/052
439/716
2008/0096441 A1* 4/2008 Eppe H01R 9/26
439/816
2009/0157937 A1* 6/2009 Kuschke H01R 9/2675
710/305

OTHER PUBLICATIONS

SD32X | MTL Surge Protection Device, dated Nov. 26, 2020, [online], [site visited Jul. 27, 2021]. Available from Internet, URL: <https://www.quicktimeonline.com/sd32x> (Year: 2020).*
Universeller Kombiableiter BLITZDUCTORconnect: Einfach. Sicher. Leistungsstark., dated Apr. 29, 2020, [online], [site visited Jul. 27, 2021]. Available from Internet, URL: https://www.youtube.com/watch?v=eoSkyoliK44&list=PLG7416onBNnUqbayXhJRcW67qjgXP_th&index=2 (Year: 2020).*

* cited by examiner

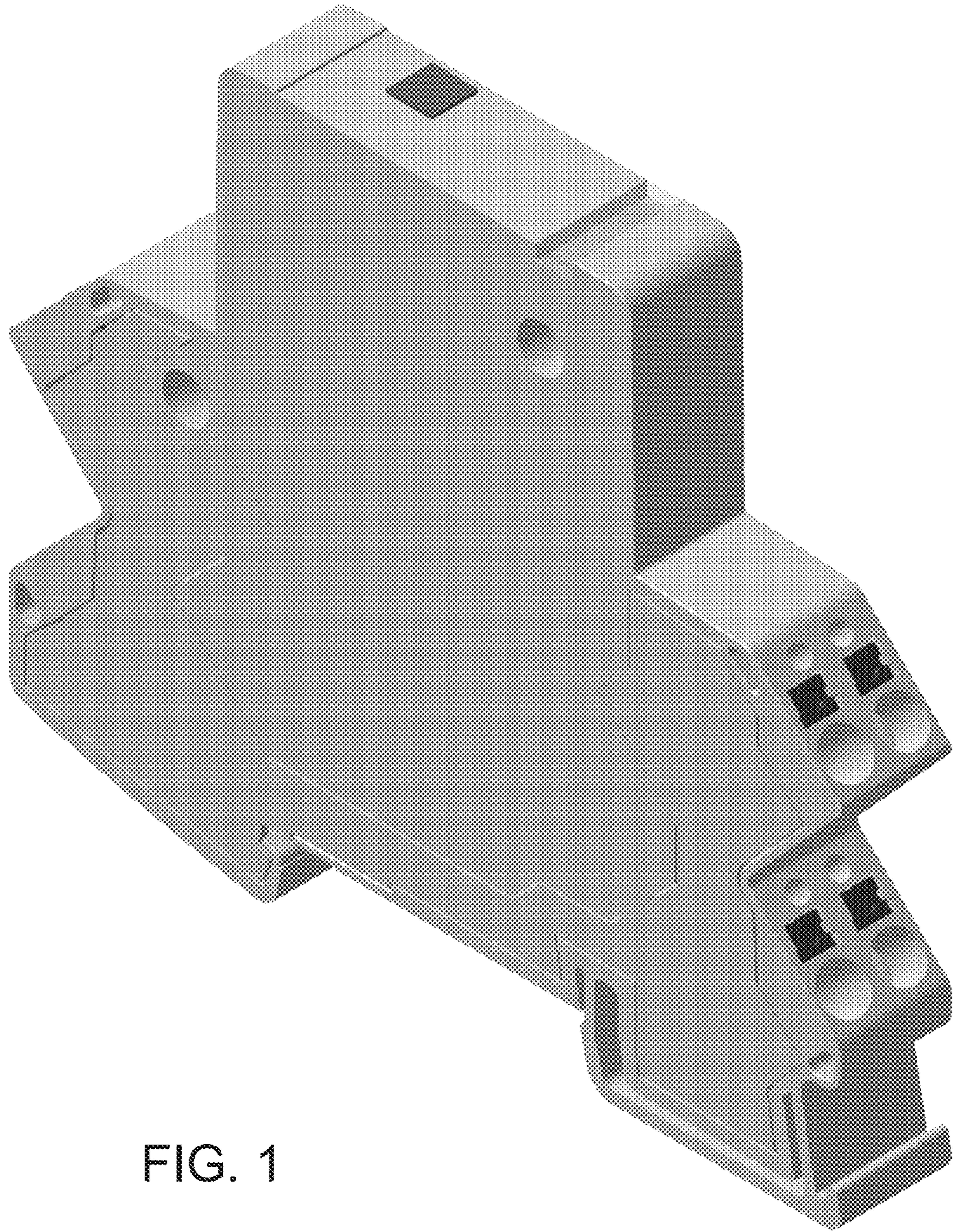


FIG. 1

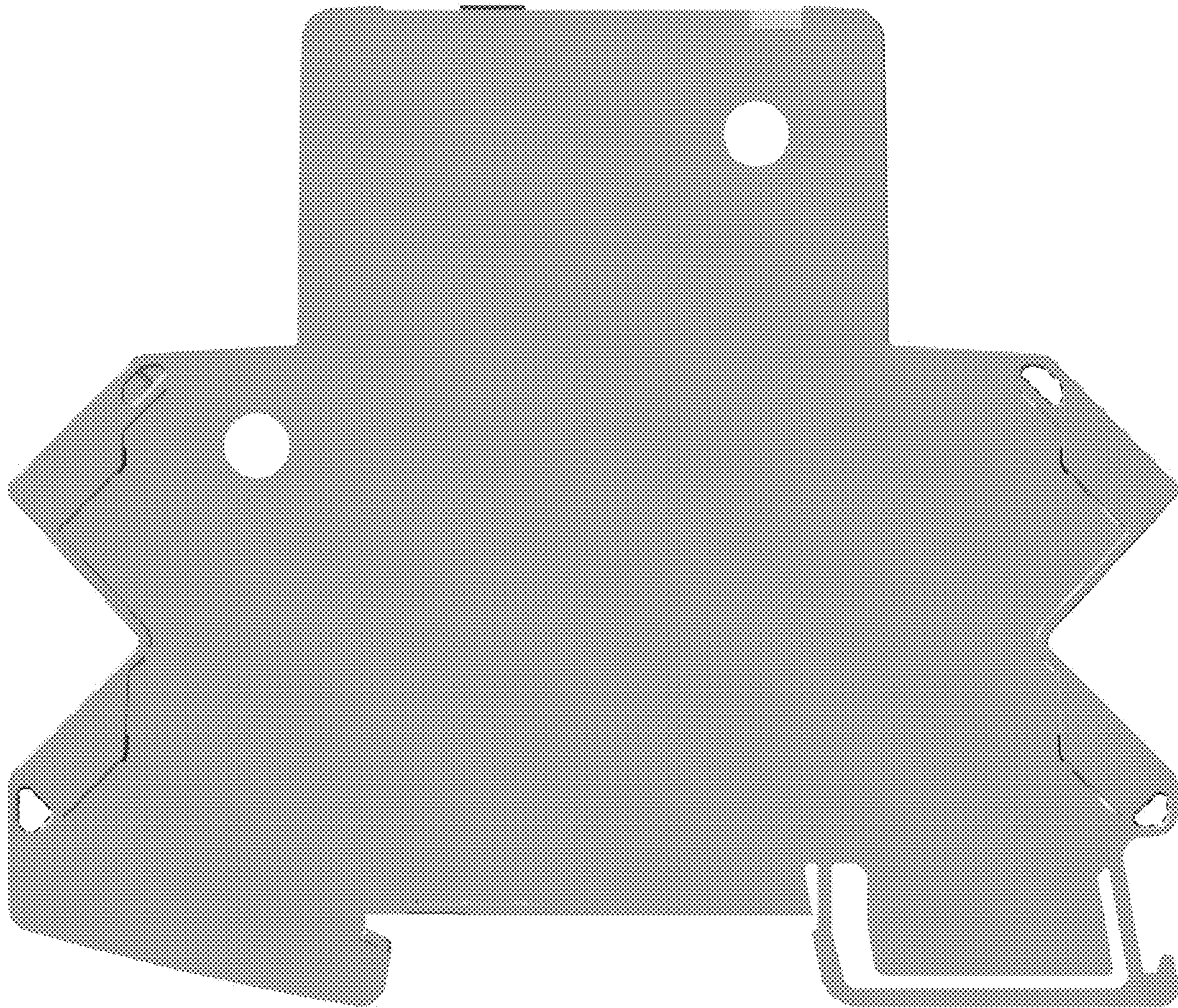


FIG. 2

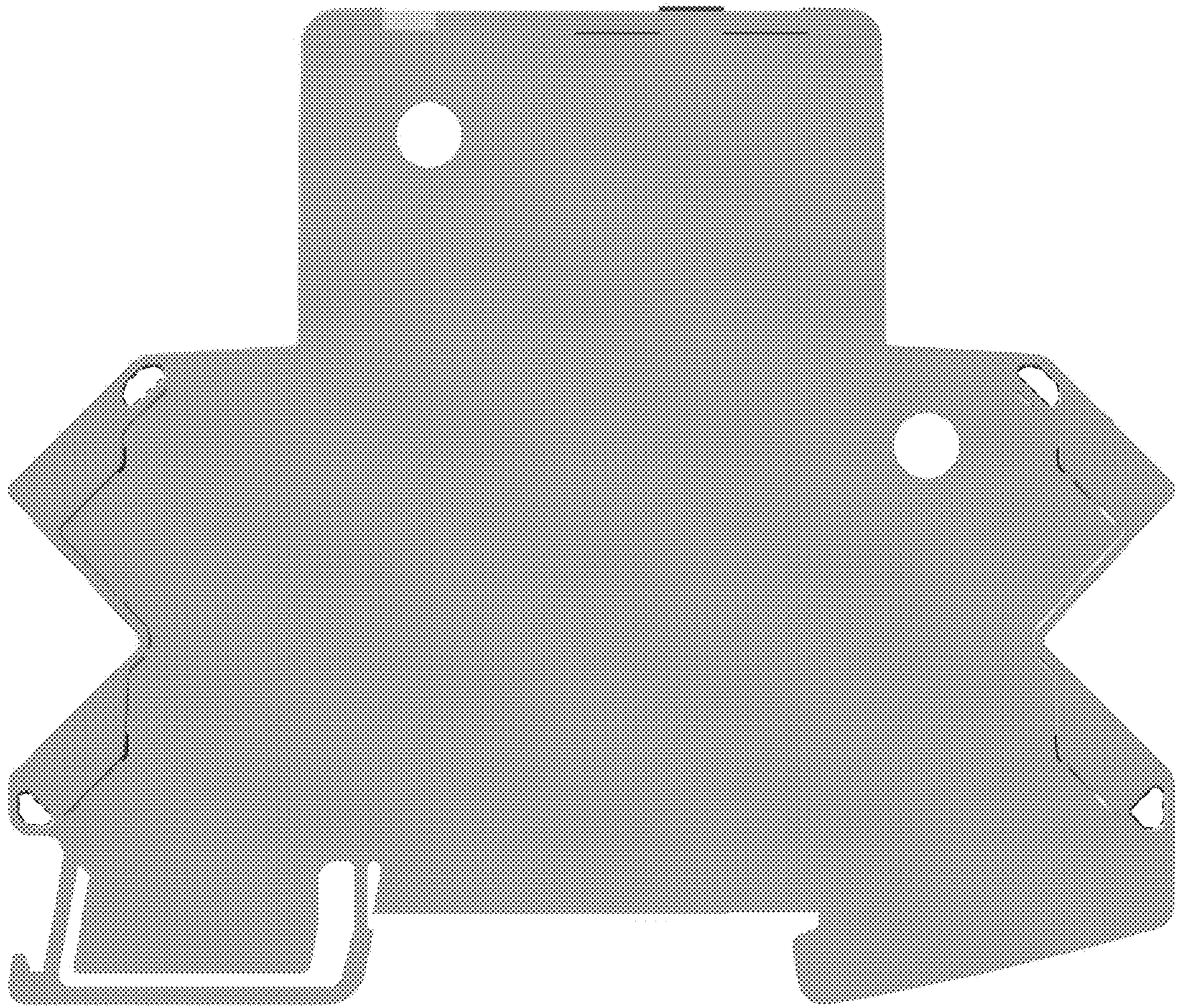


FIG. 3

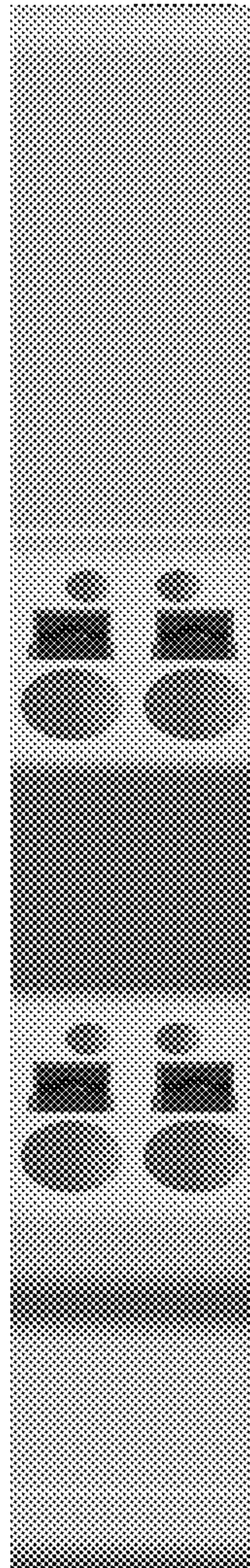


FIG. 4

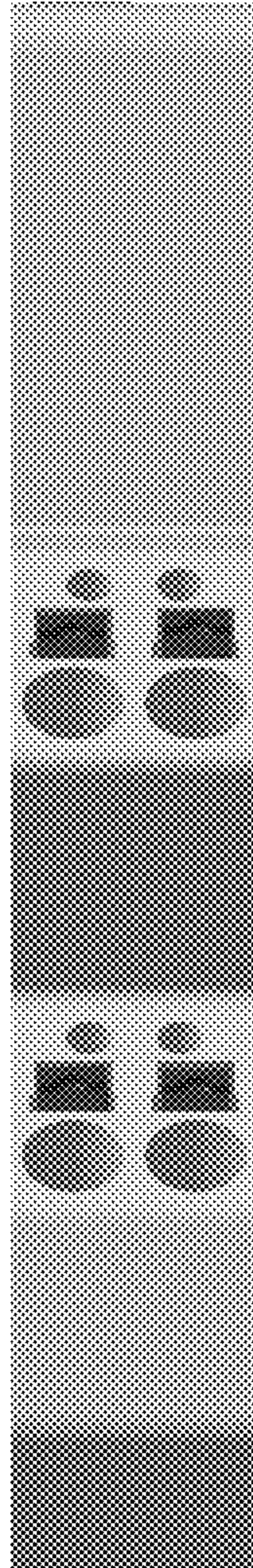


FIG. 5

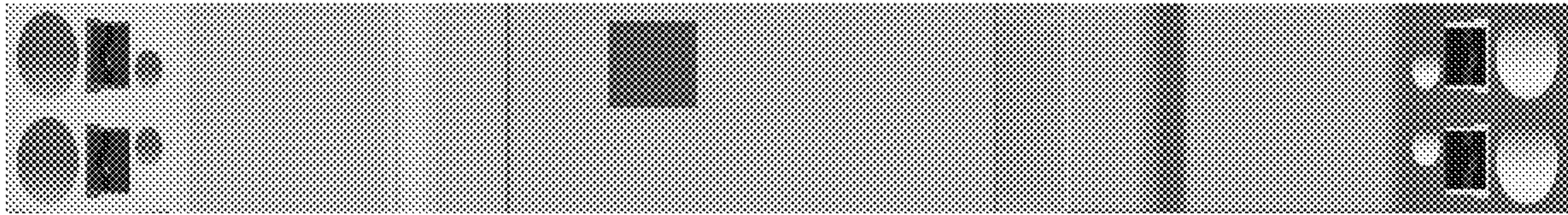


FIG. 6

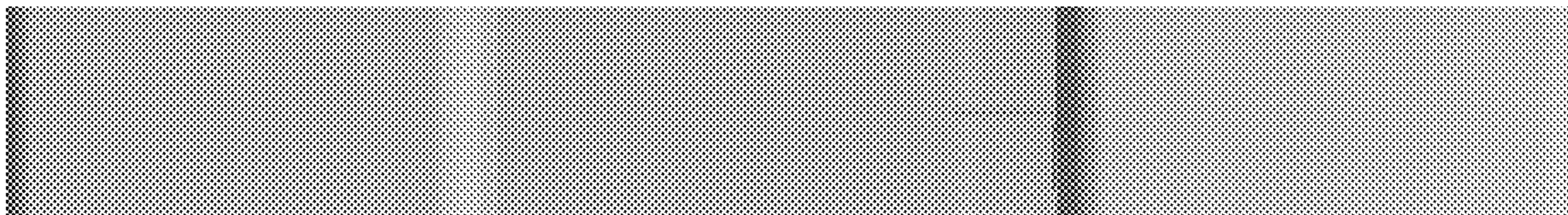


FIG. 7

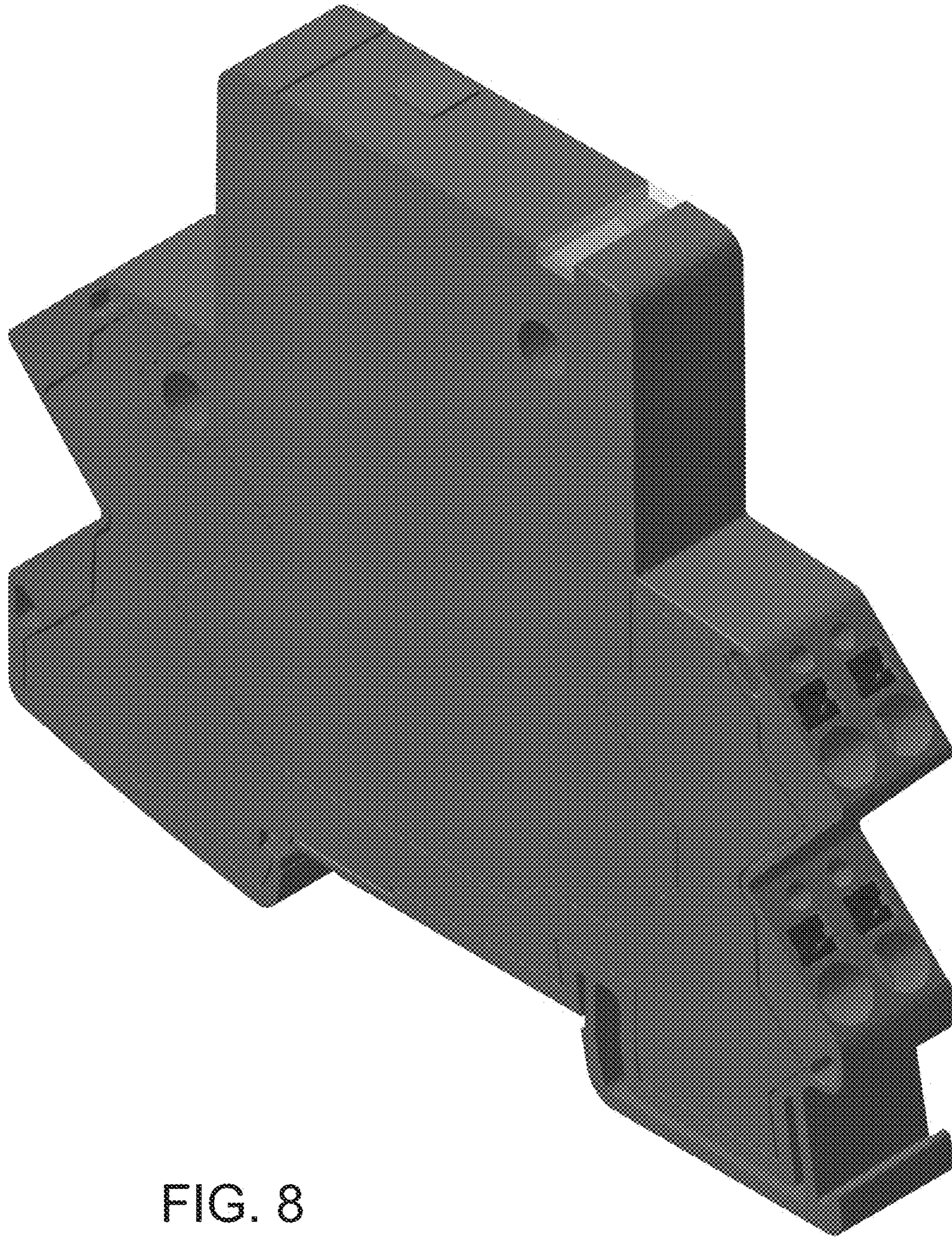


FIG. 8

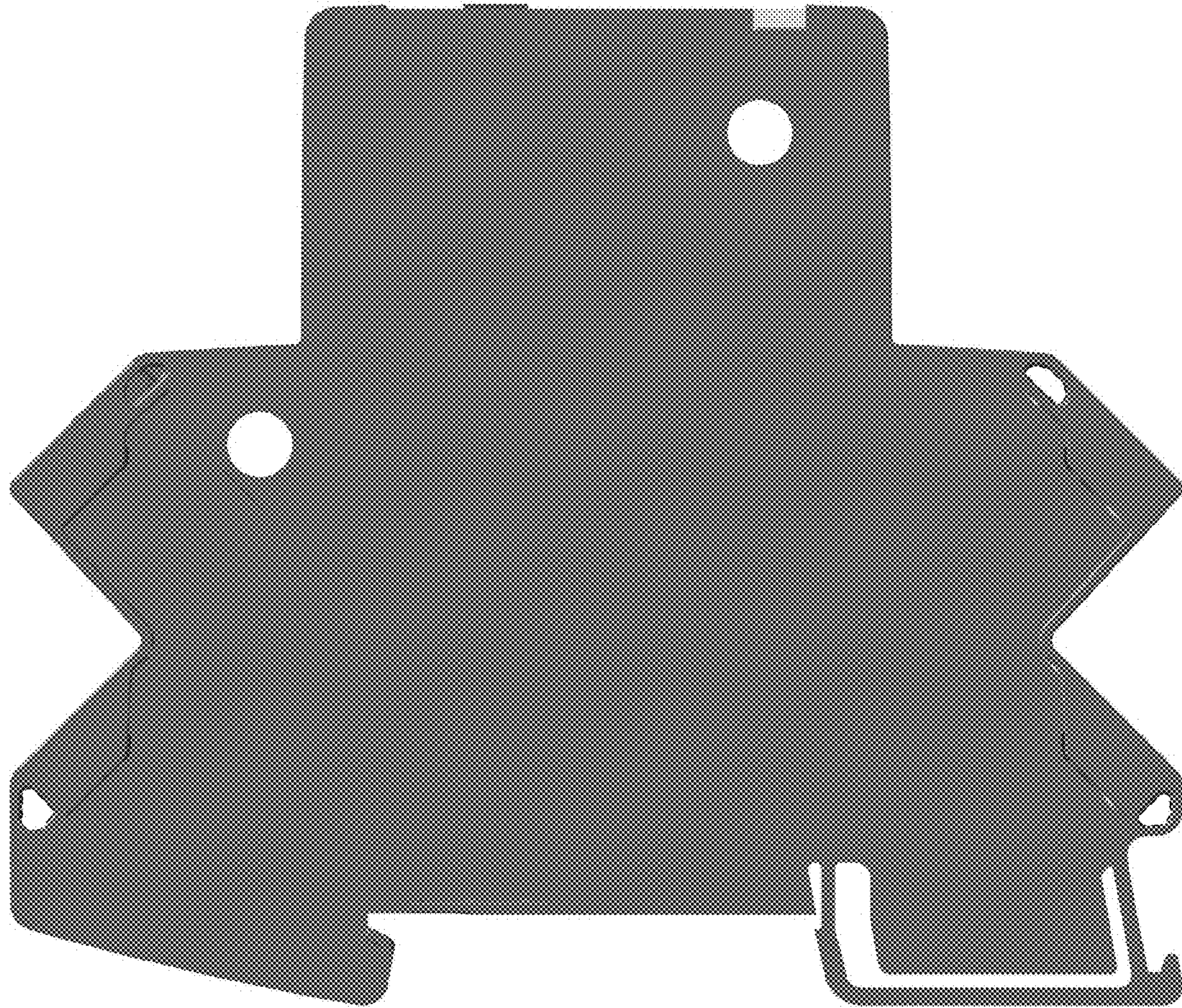


FIG. 9

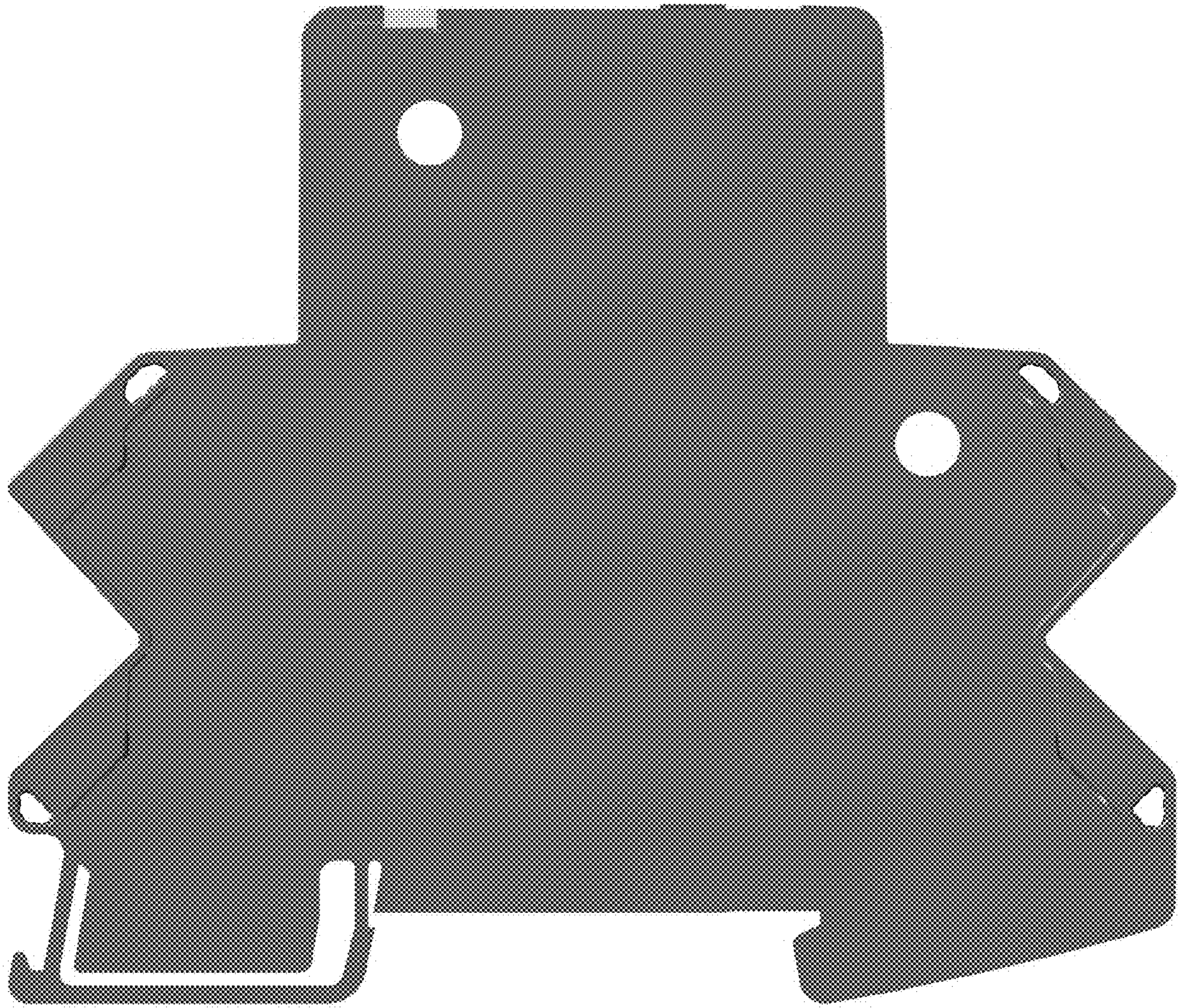


FIG. 10

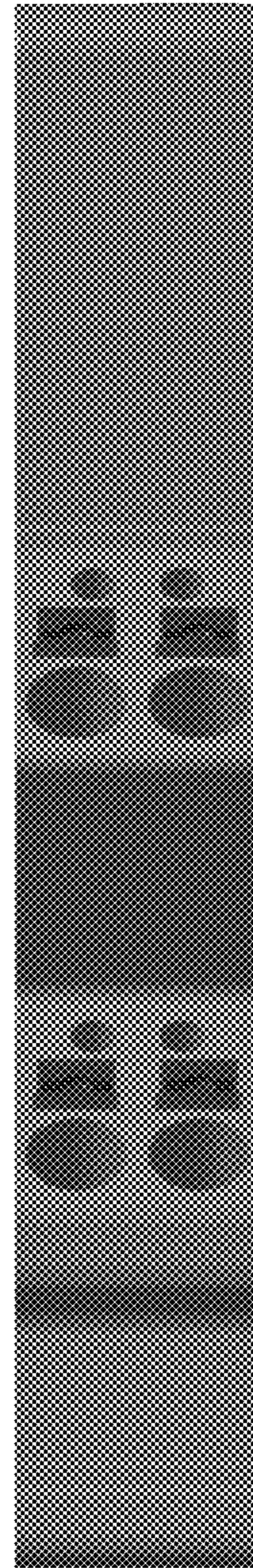


FIG. 11

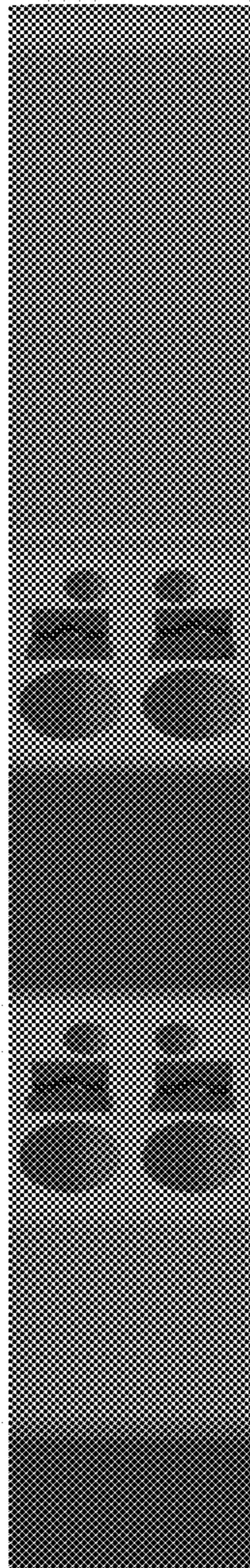


FIG. 12



FIG. 13



FIG. 14