



US00D952570S

(12) **United States Design Patent** (10) **Patent No.:** **US D952,570 S**
Beristany et al. (45) **Date of Patent:** **** May 24, 2022**

(54) **ELECTRICAL BOX AND CONDUIT SUPPORT PLATE**

7,699,283 B2 4/2010 Vrame et al.
7,798,458 B2 9/2010 Borbolla et al.
8,047,491 B2 11/2011 Gutierrez

(71) Applicant: **Hubbell Incorporated**, Shelton, CT (US)

(Continued)

FOREIGN PATENT DOCUMENTS

(72) Inventors: **Victor Beristany**, Mishawaka, IN (US);
Steven James Johnson, Buchanan, MI (US)

CA 2577641 8/2007
CA 2578456 8/2007

(Continued)

(73) Assignee: **Hubbell Incorporated**, Shelton, CT (US)

OTHER PUBLICATIONS

(**) Term: **15 Years**

SP_Products Brochure_Grid-Systems Box Support Plate, Jul. 1, 2018 (1 pg).

(21) Appl. No.: **29/808,072**

(Continued)

(22) Filed: **Sep. 16, 2021**

Primary Examiner — Jennifer O King
(74) *Attorney, Agent, or Firm* — Wissing Miller LLP

Related U.S. Application Data

(62) Division of application No. 29/720,242, filed on Jan. 10, 2020, now Pat. No. Des. 933,021.

(51) **LOC (13) Cl.** **13-03**

(52) **U.S. Cl.**
USPC **D13/156**

(58) **Field of Classification Search**
USPC D13/110, 156, 133, 155, 184, 154, 162,
D13/152, 118, 120
CPC H02G 3/086; H02G 3/121
See application file for complete search history.

(56) **References Cited**

U.S. PATENT DOCUMENTS

D449,218 S 10/2001 Vrame
D462,939 S 9/2002 Dinh
7,078,618 B2* 7/2006 Dinh H02G 3/123
174/481
D531,010 S 10/2006 Vrame
7,300,025 B2 11/2007 Korcz
7,439,443 B2 10/2008 Dinh
7,472,875 B2 6/2009 Rinderer

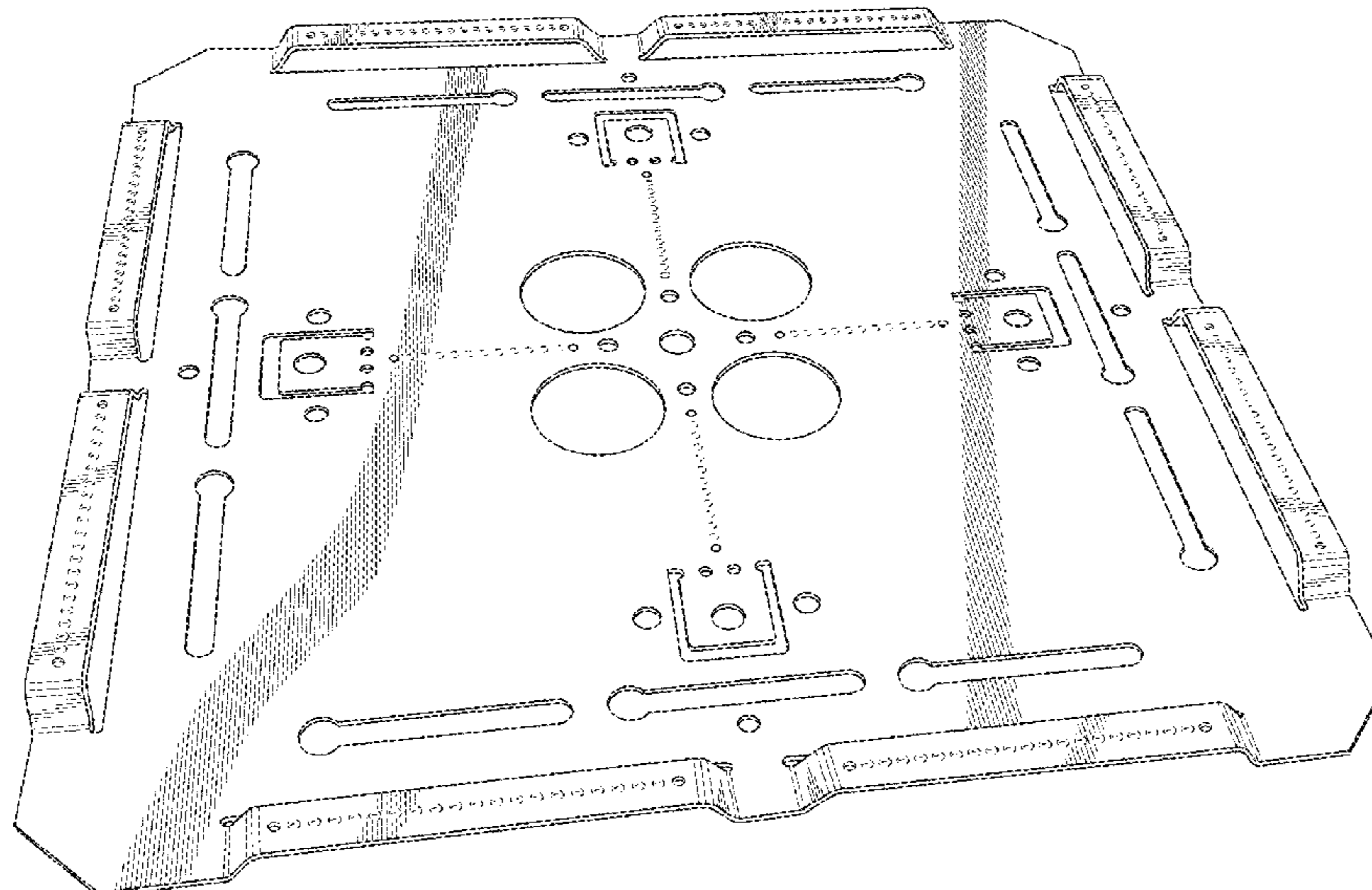
(57) **CLAIM**

The ornamental design for an electrical box and conduit support plate, as shown and described.

DESCRIPTION

FIG. 1 is a top perspective view of the new design for an electrical box and conduit support plate in accordance with the present invention;
FIG. 2 is a first side elevation view of the electrical box and conduit support plate shown in FIG. 1;
FIG. 3 is a second side elevation view of the electrical box and conduit support plate shown in FIG. 1;
FIG. 4 is a top plan view of the electrical box and conduit support plate shown in FIG. 1; and,
FIG. 5 is a bottom plan view of the electrical box and conduit support plate shown in FIG. 1.
The broken lines shown represent portions of the electrical box and support plate that form no part of the claimed design.

1 Claim, 4 Drawing Sheets



(56)

References Cited

U.S. PATENT DOCUMENTS

8,261,926	B2	9/2012	Bradley	
8,403,289	B1	3/2013	Rinderer	
8,424,827	B2	4/2013	Dinh	
D698,737	S	2/2014	Hagarty	
D722,029	S	2/2015	Hagarty	
D731,292	S	6/2015	Vrame	
D745,466	S	12/2015	Hagarty	
D756,750	S	5/2016	Vrame et al.	
9,337,635	B2	5/2016	Korcz et al.	
9,568,123	B2	2/2017	Zhang et al.	
9,667,047	B1	5/2017	Vrame	
9,667,050	B1	5/2017	Vrame	
D804,934	S	12/2017	Vrame	
D918,844	S *	5/2021	Wang	D13/152
D922,331	S *	6/2021	Cohen	D13/152
D927,430	S *	8/2021	Cohen	D13/152
D937,784	S *	12/2021	Chang	D13/152
D938,920	S *	12/2021	O'Hanlan	D13/152

FOREIGN PATENT DOCUMENTS

CA	2585409	10/2008
KR	765055	8/1967

OTHER PUBLICATIONS

SP_Products Brochure_8-Way Conduit & Box Support Plates with Split Fingers, Jul. 1, 2018 (1 pg).

SP_Products Brochure_4-Way Conduit & Box Support Plates, Jul. 1, 2018 (1 pg).

International Search Report and Written Opinion mailed in corresponding PCT/US21/12915 dated Apr. 6, 2021 (9 pages).

* cited by examiner

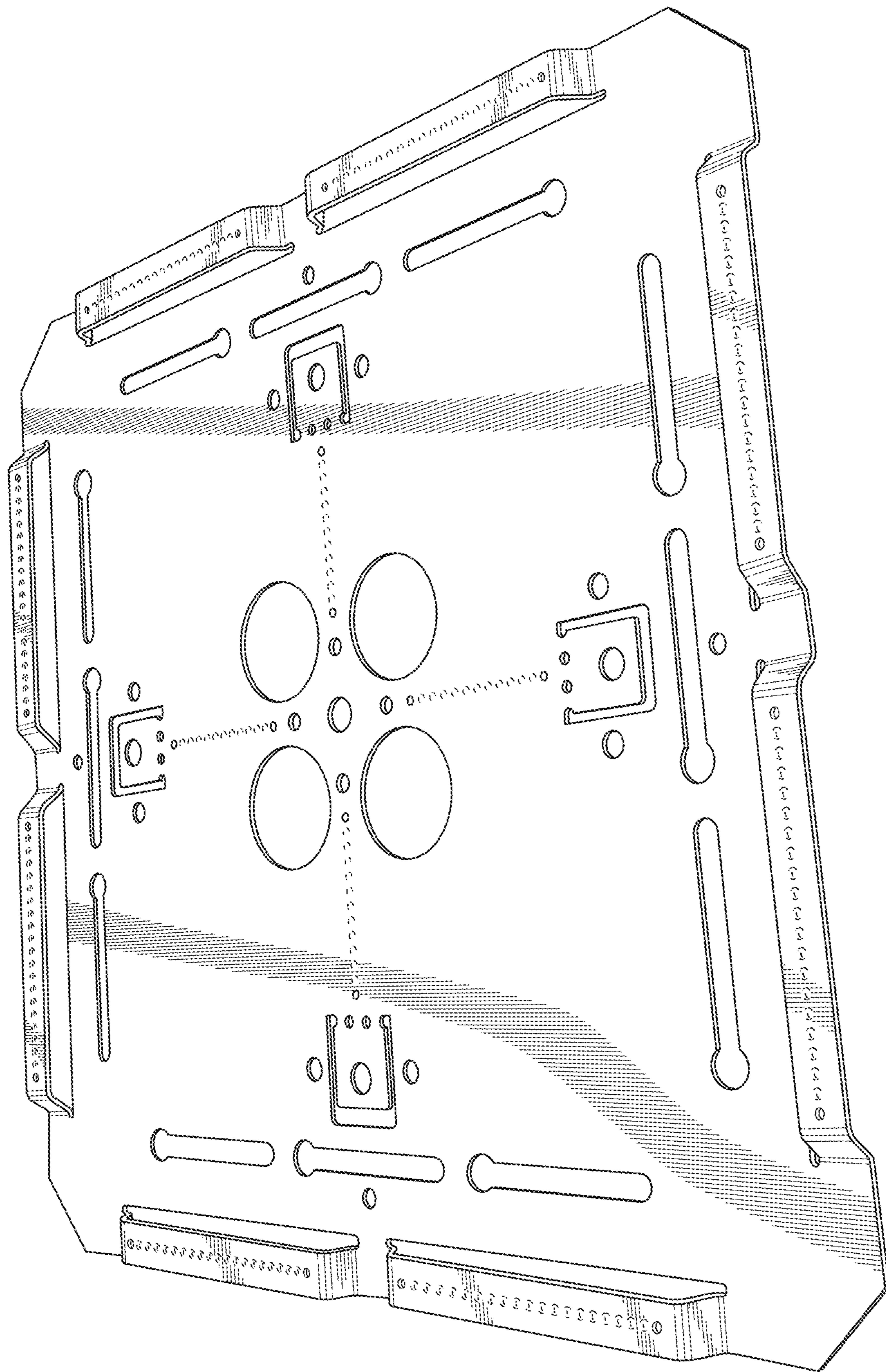


FIG. 1



FIG. 2



FIG. 3

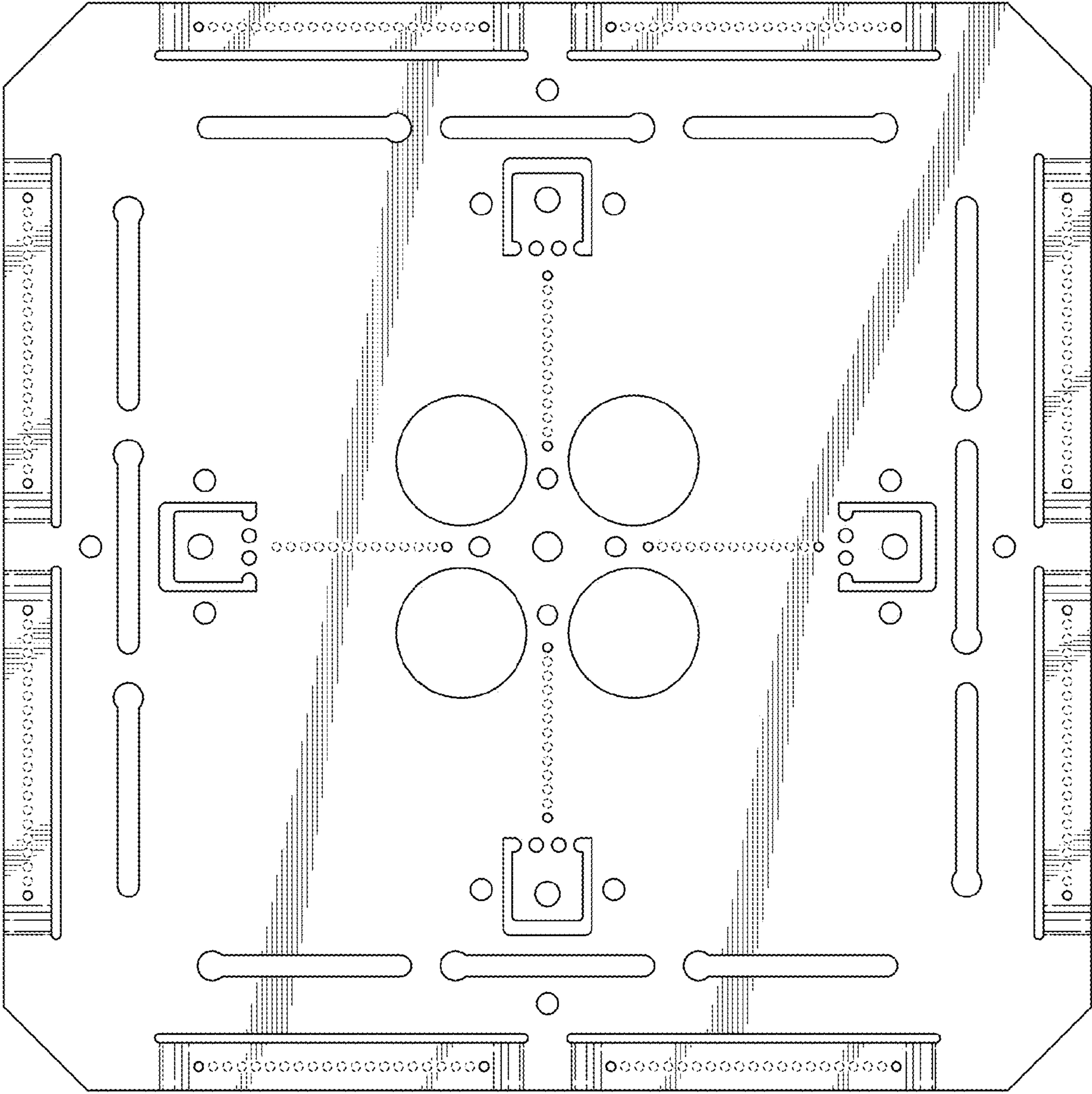


FIG. 4

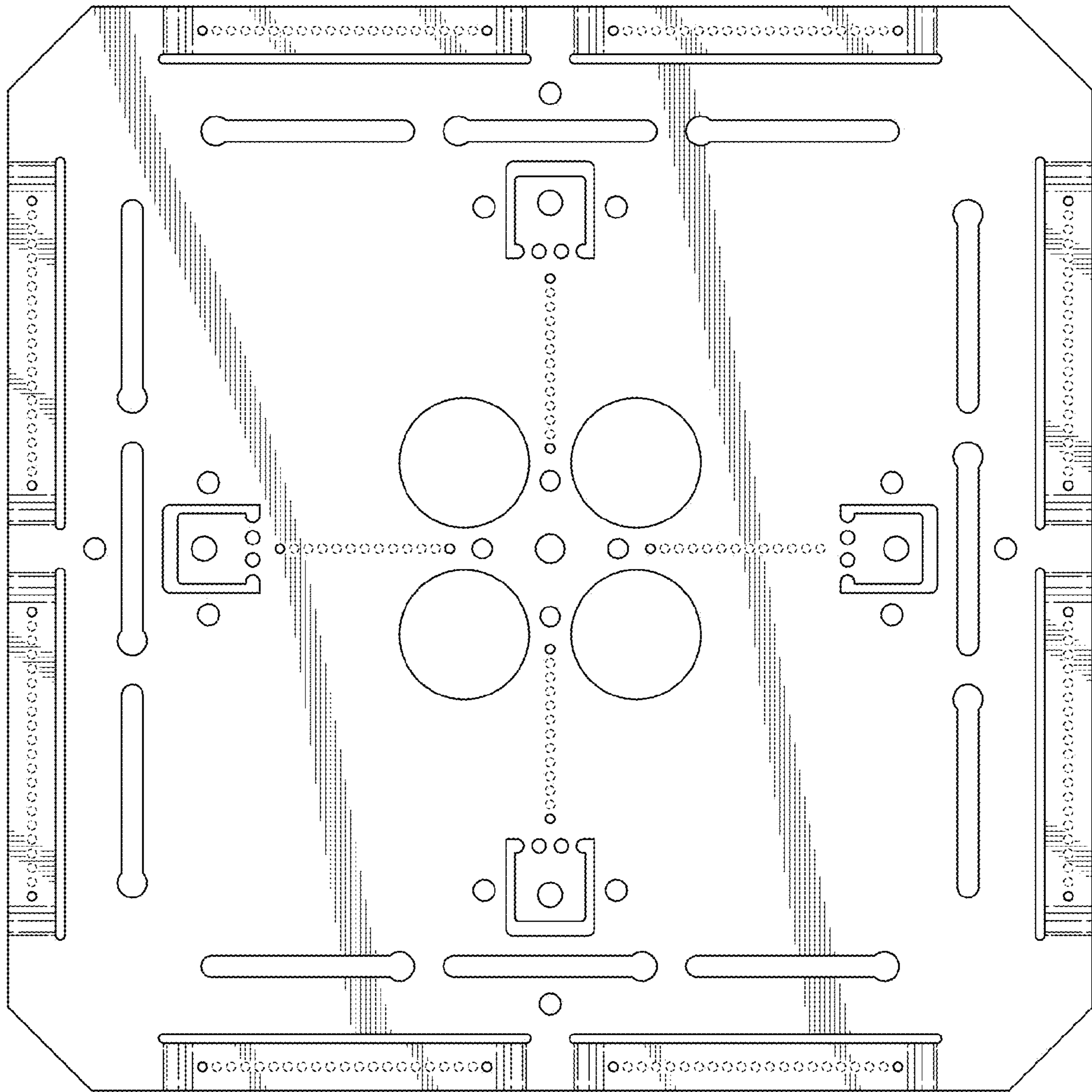


FIG. 5