



US00D952569S

(12) **United States Design Patent** (10) **Patent No.:** **US D952,569 S**
Kind et al. (45) **Date of Patent:** **** May 24, 2022**

(54) **CABLE SHROUD FOR A MEDICAL WORKSTATION**

(71) Applicant: **MKIND, Inc.**, Manchester, NH (US)
(72) Inventors: **Michael Kind**, Manchester, NH (US);
Joseph DiCarlo, Manchester, NH (US)
(73) Assignee: **MKIND, INC.**, Manchester, NH (US)
(**) Term: **15 Years**

(21) Appl. No.: **29/721,987**

(22) Filed: **Jan. 24, 2020**

(51) **LOC (13) Cl.** **13-03**

(52) **U.S. Cl.**
USPC **D13/155**

(58) **Field of Classification Search**
USPC D13/110, 133, 149, 154, 155, 156, 157;
D14/433; D24/128
CPC H01R 13/443; H01R 13/447
See application file for complete search history.

(56) **References Cited**

U.S. PATENT DOCUMENTS

2,462,756	A *	2/1949	Leopold	H01R 13/447 439/135
3,598,900	A *	8/1971	Drake	H02G 3/12 174/138 F
D360,618	S *	7/1995	Stines	D13/156
D379,797	S *	6/1997	Arnett	D13/156
D432,503	S *	10/2000	Taylor	D10/106.1
D502,687	S *	3/2005	Sherman	D13/156
D763,802	S *	8/2016	Gee, III	D13/156
D808,776	S *	1/2018	Ruddick	D8/356

OTHER PUBLICATIONS

“L3 Med Wall,” available at <https://www.grandstands.com/products/13-med-wall>, 3 pages (retrieved Apr. 15, 2020).
“StableRise Shroud,” 1 page (circa 2017).

* cited by examiner

Primary Examiner — Jennifer O King
(74) *Attorney, Agent, or Firm* — Finch & Maloney, PLLC

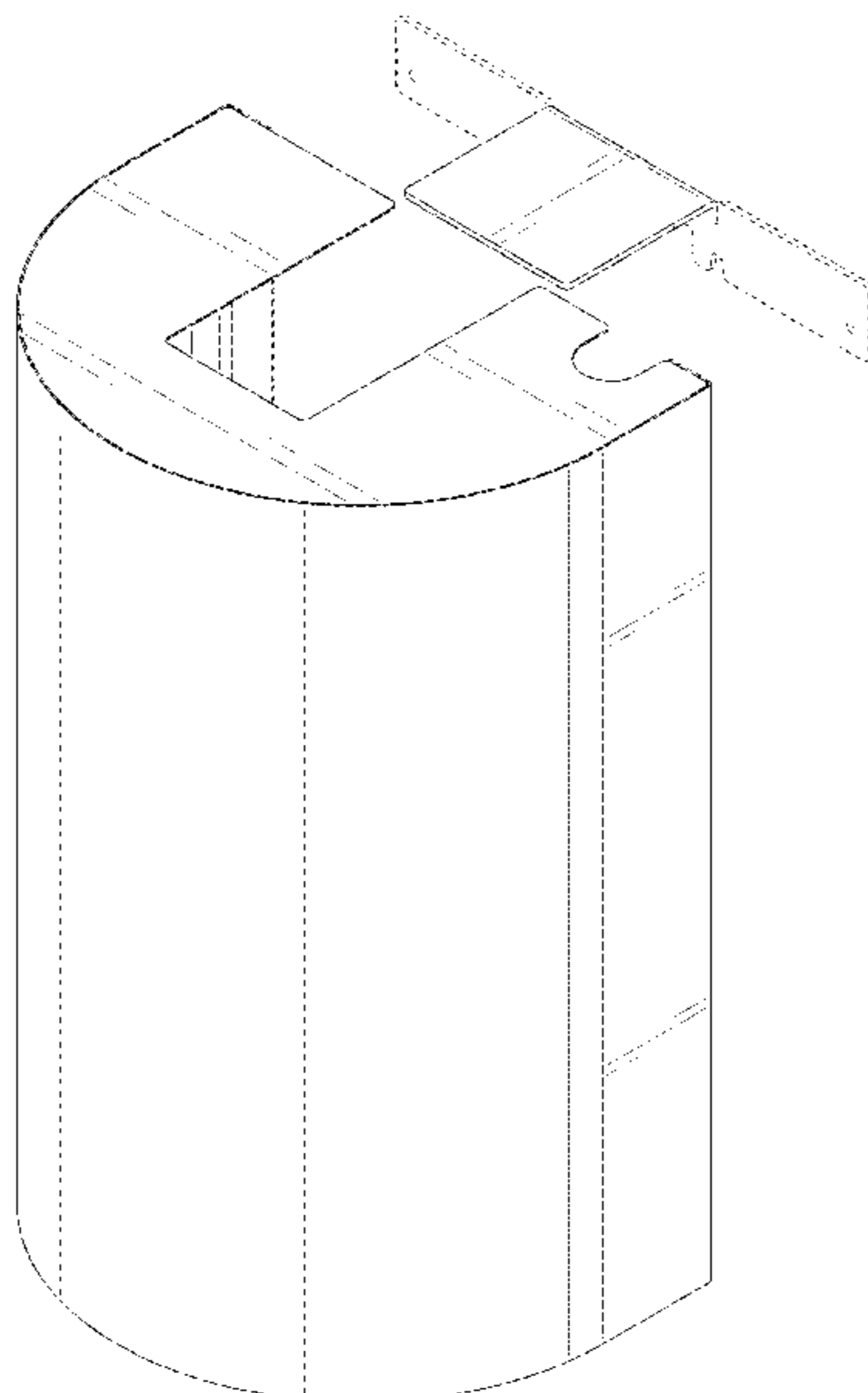
(57) **CLAIM**

The ornamental design for a cable shroud for a medical workstation, as shown and described.

DESCRIPTION

FIG. 1 is a right, front, and top exploded perspective view of a cable shroud for a medical workstation, showing our new design;
FIG. 2 is left, rear, and top perspective view thereof;
FIG. 3 is a top plan view thereof;
FIG. 4 is a bottom plan view thereof;
FIG. 5 is a front elevational view thereof;
FIG. 6 is a rear elevational view thereof;
FIG. 7 is right elevational view thereof;
FIG. 8 is a left elevational view thereof;
FIG. 9 is a right, front, and top perspective view showing the cable shroud in assembled form;
FIG. 10 is a left, rear, and top perspective view thereof;
FIG. 11 is top plan view thereof;
FIG. 12 is a bottom plan view thereof;
FIG. 13 is a front elevational view thereof;
FIG. 14 is a rear elevational view thereof;
FIG. 15 is a right elevational view thereof;
FIG. 16 is a left elevational view thereof;
FIG. 17 is a right, front, and top perspective view showing the cable shroud in assembled form at a reduced size together with an adjustable medical workstation; and,
FIG. 18 is a left, rear, and top perspective view thereof.
The broken lines shown in FIGS. 1-16 represent portions of the cable shroud for a medical workstation that form no part of the claimed design. The remaining broken lines shown in FIGS. 17-18 show environmental structure and form no part of the claimed design.

1 Claim, 18 Drawing Sheets



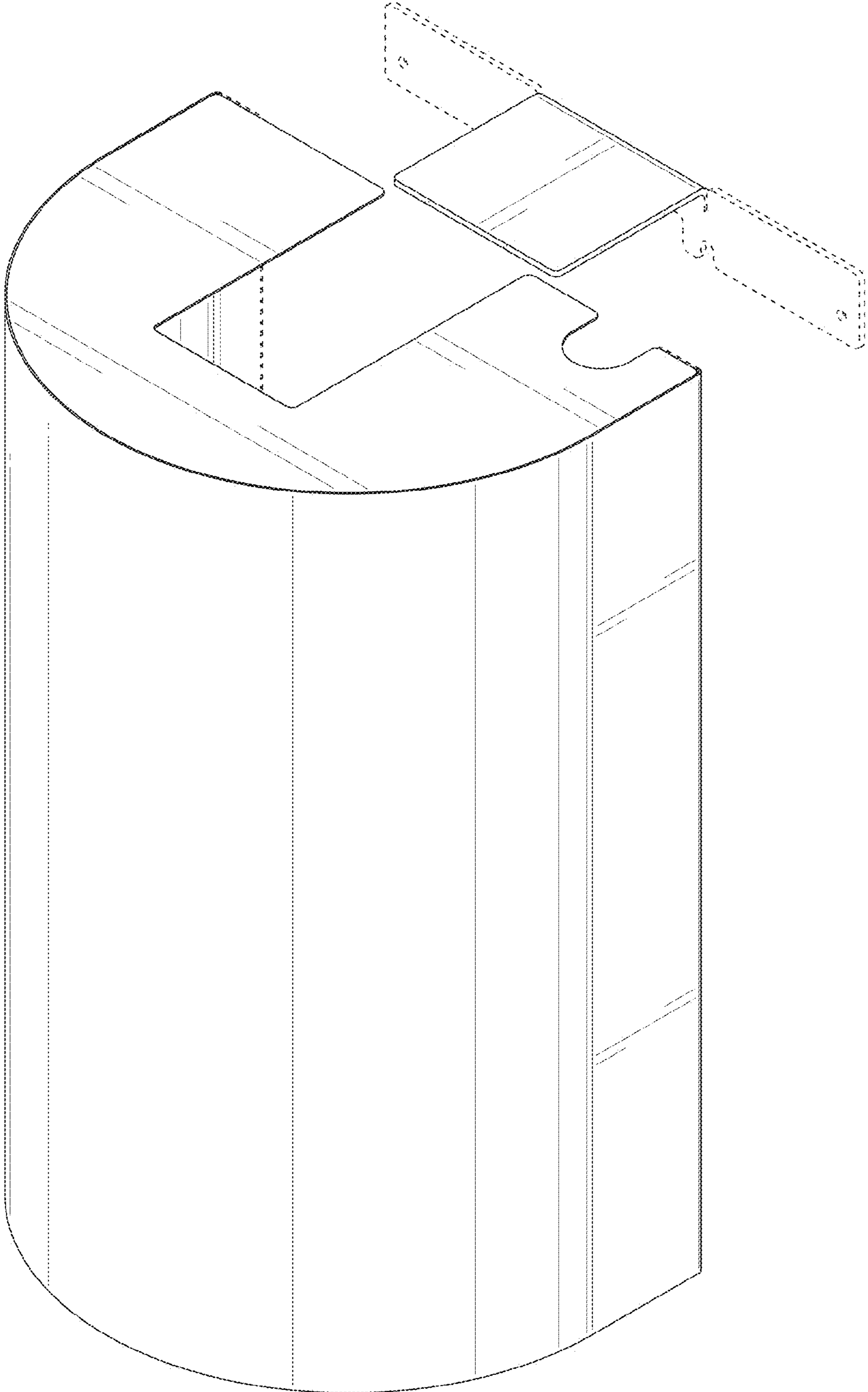


FIG. 1

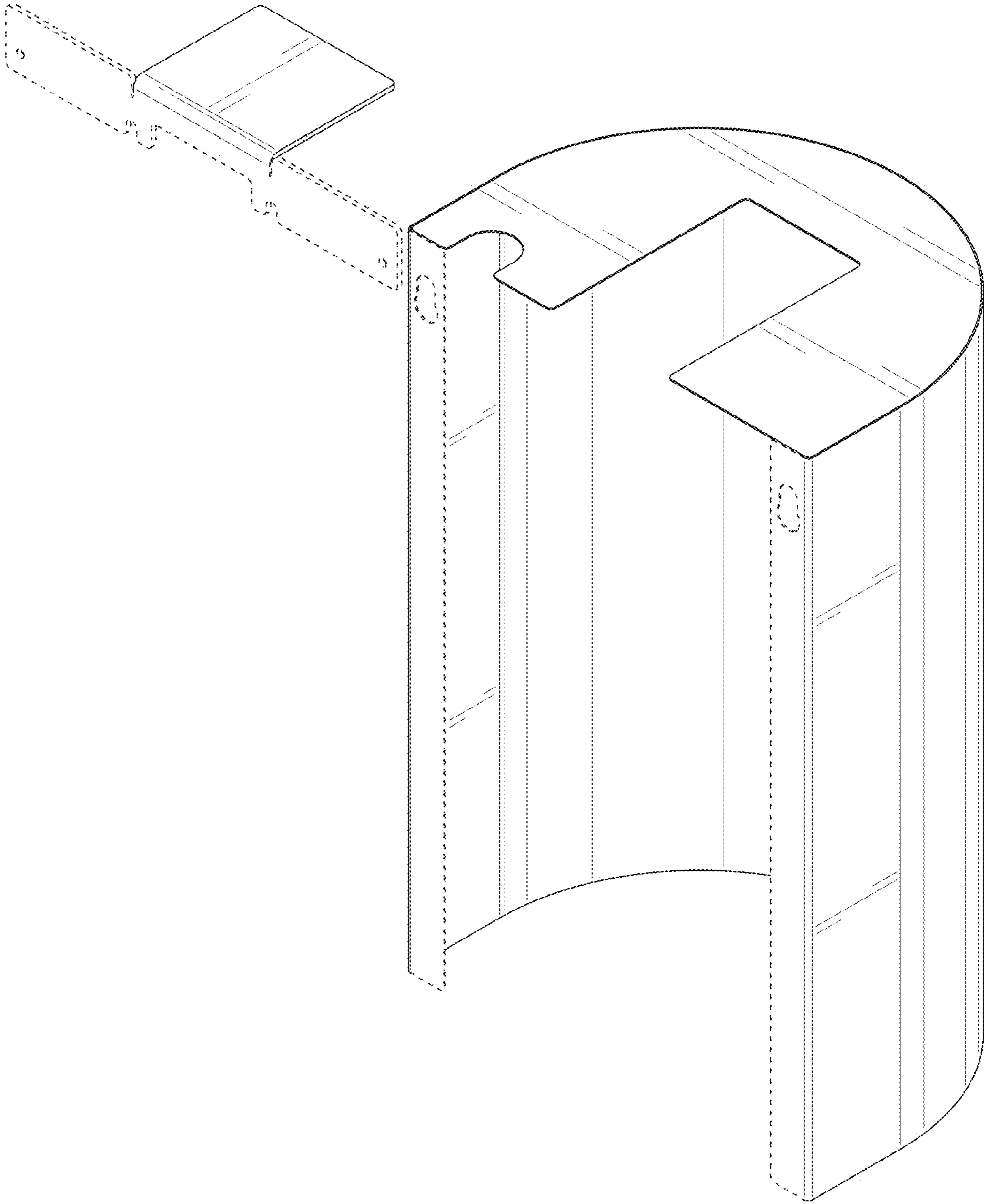


FIG. 2

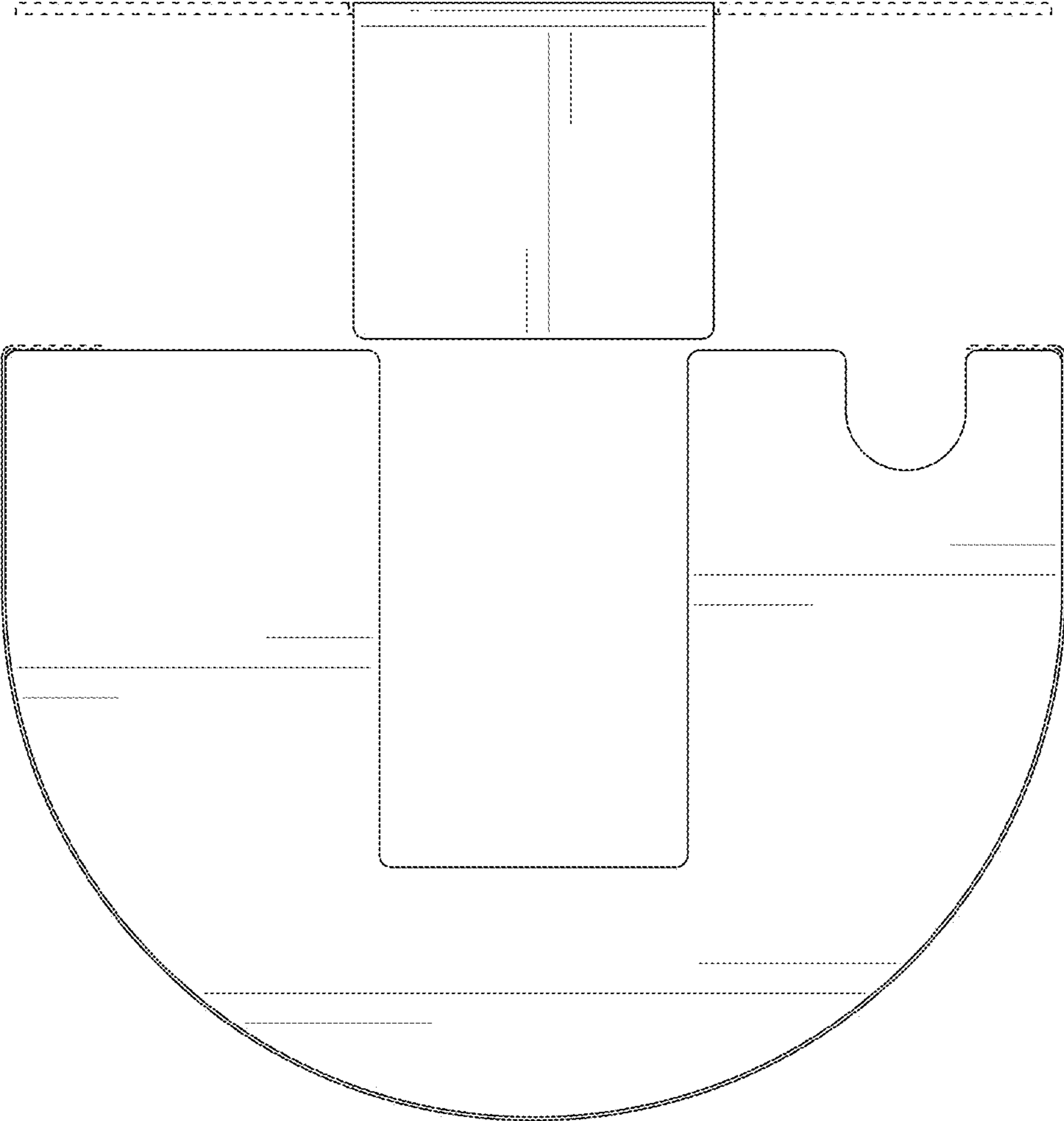


FIG. 3

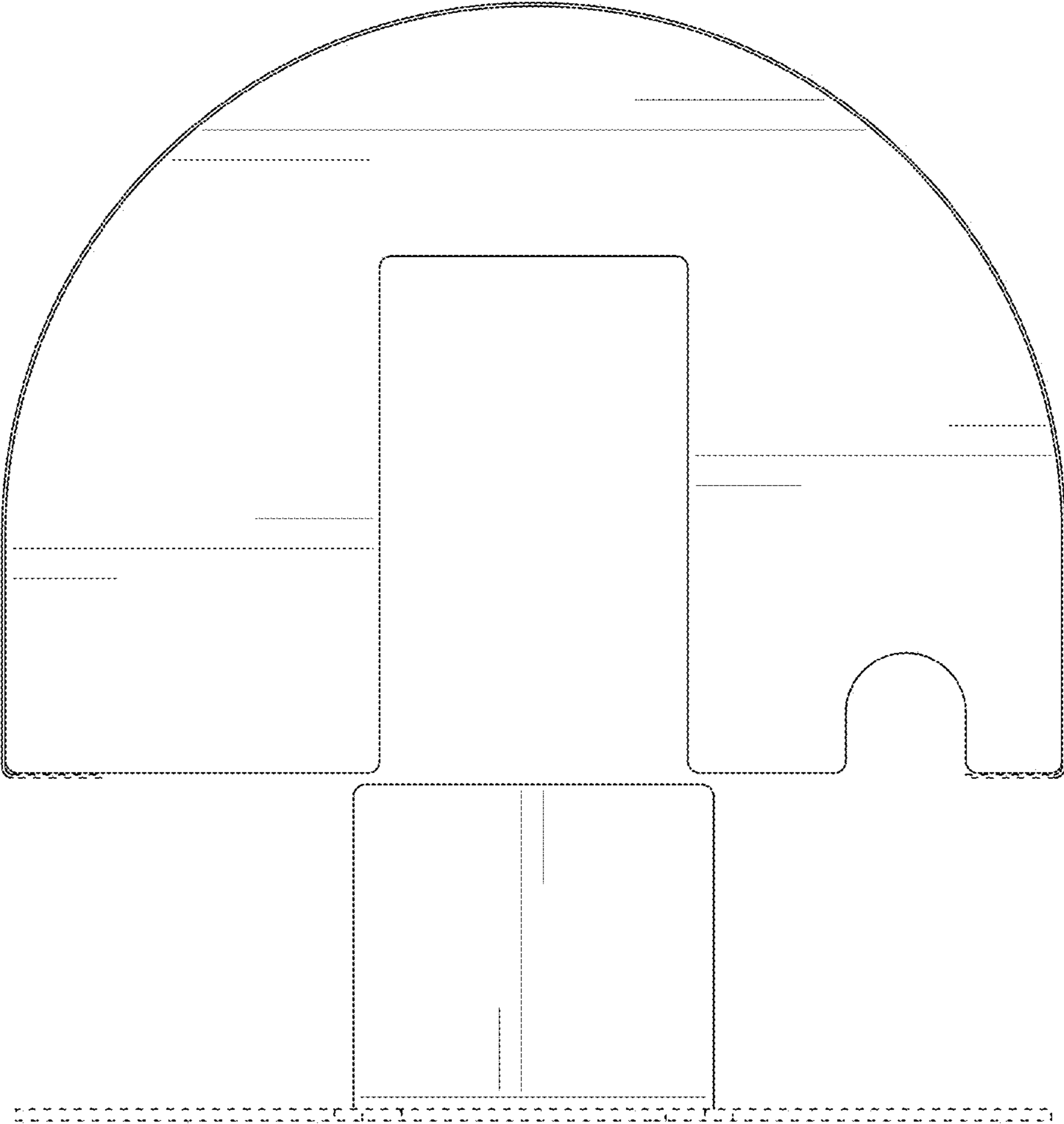


FIG. 4

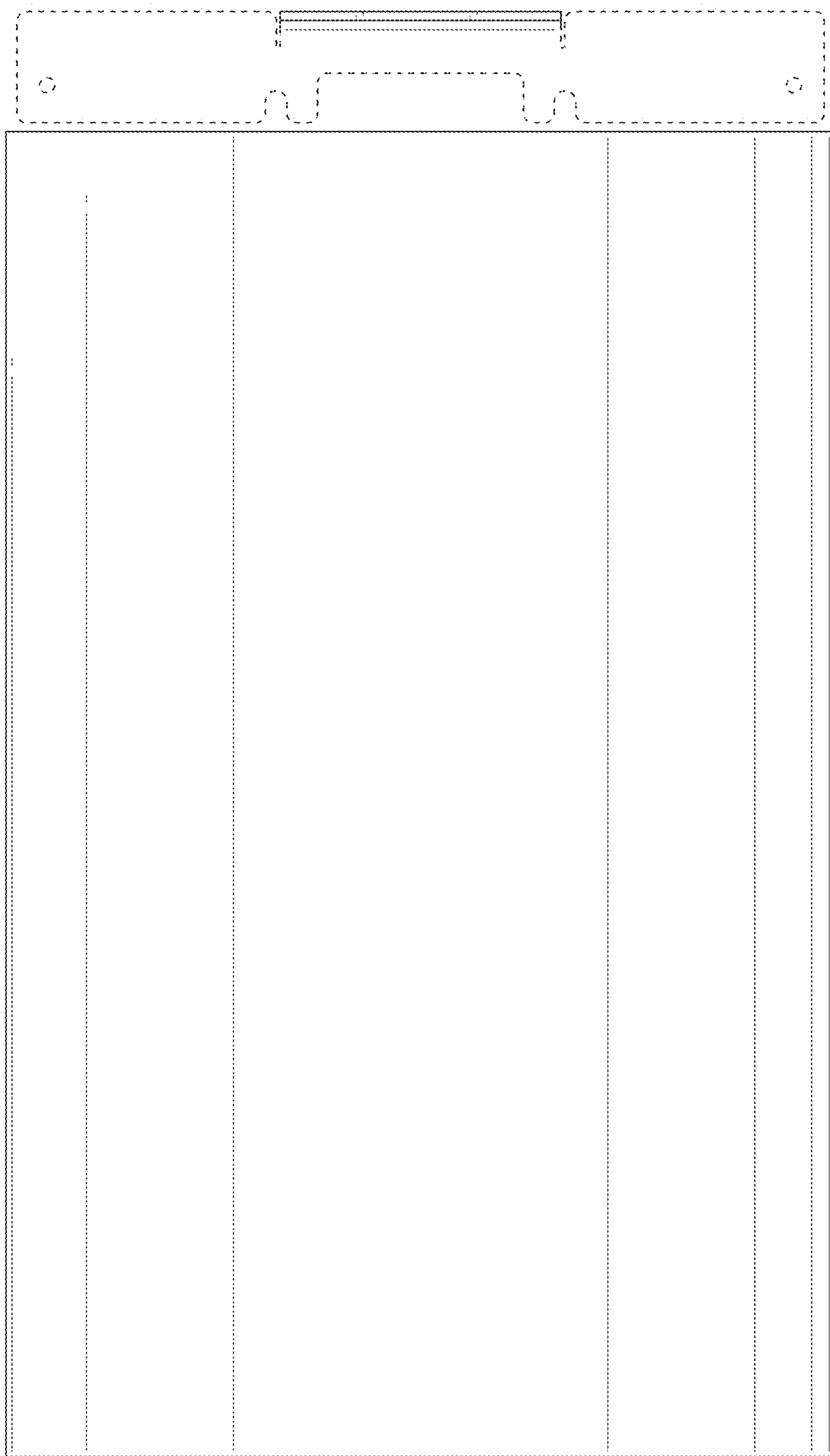


FIG. 5

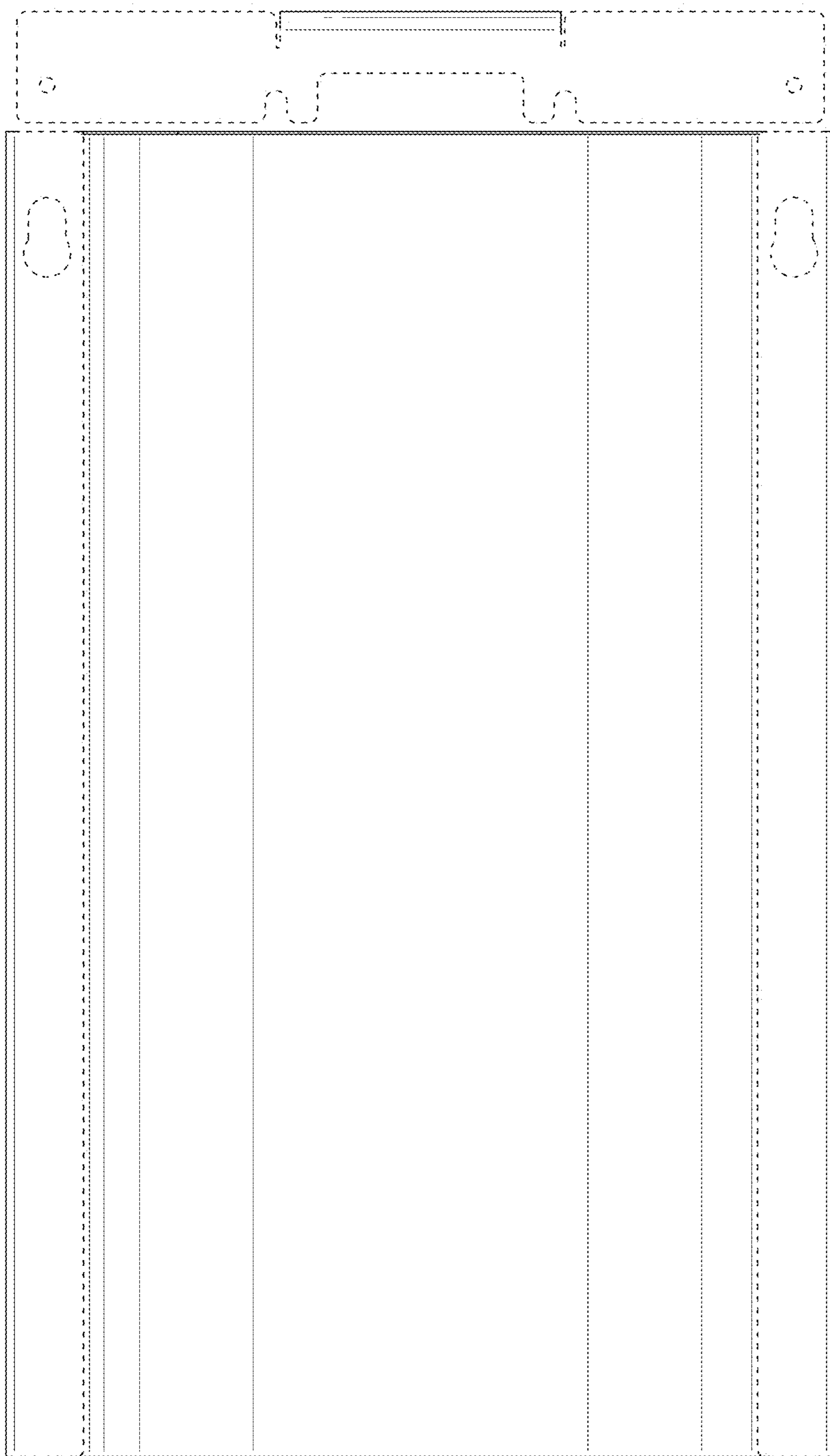


FIG. 6

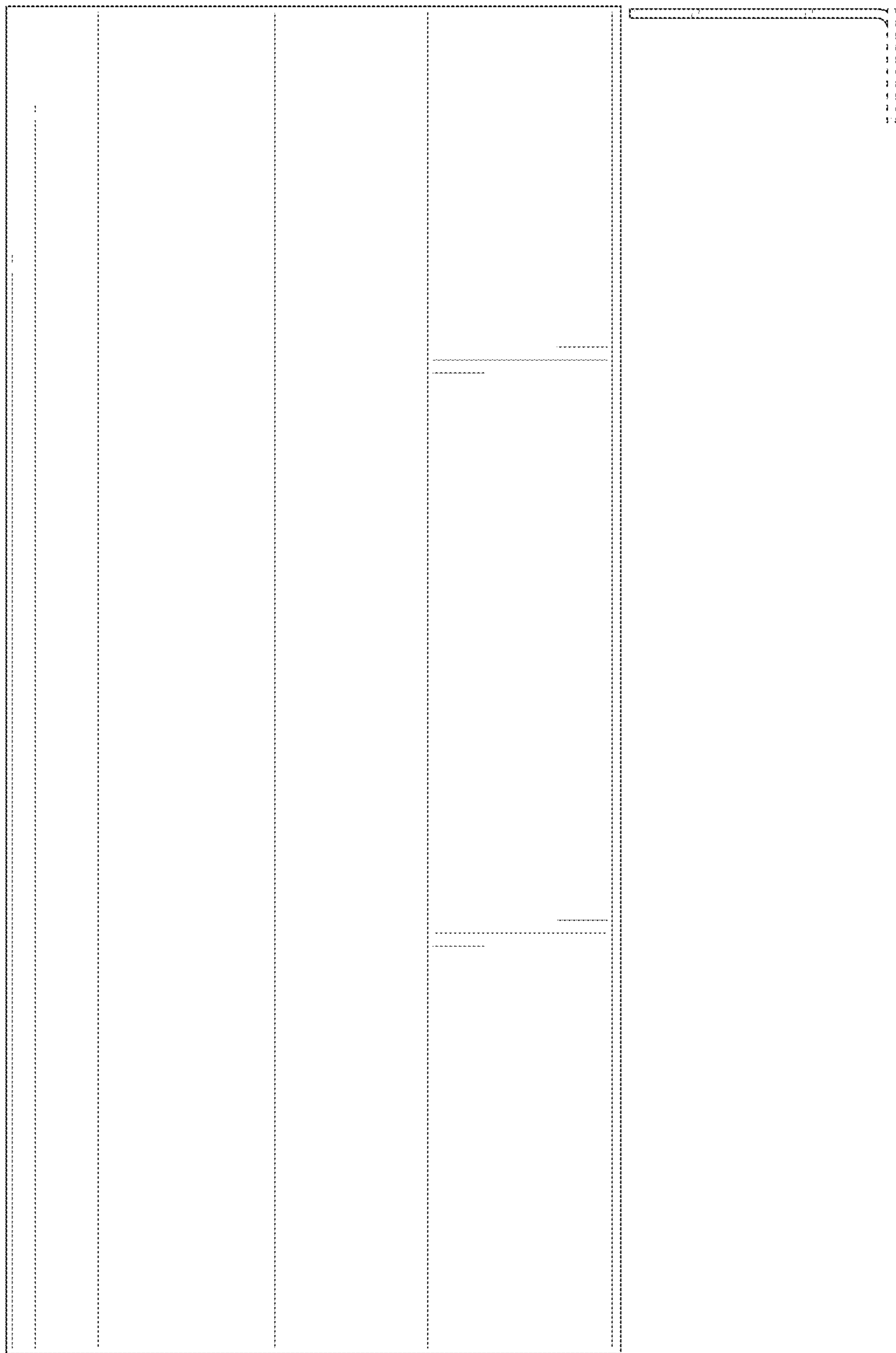


FIG. 7



FIG. 8

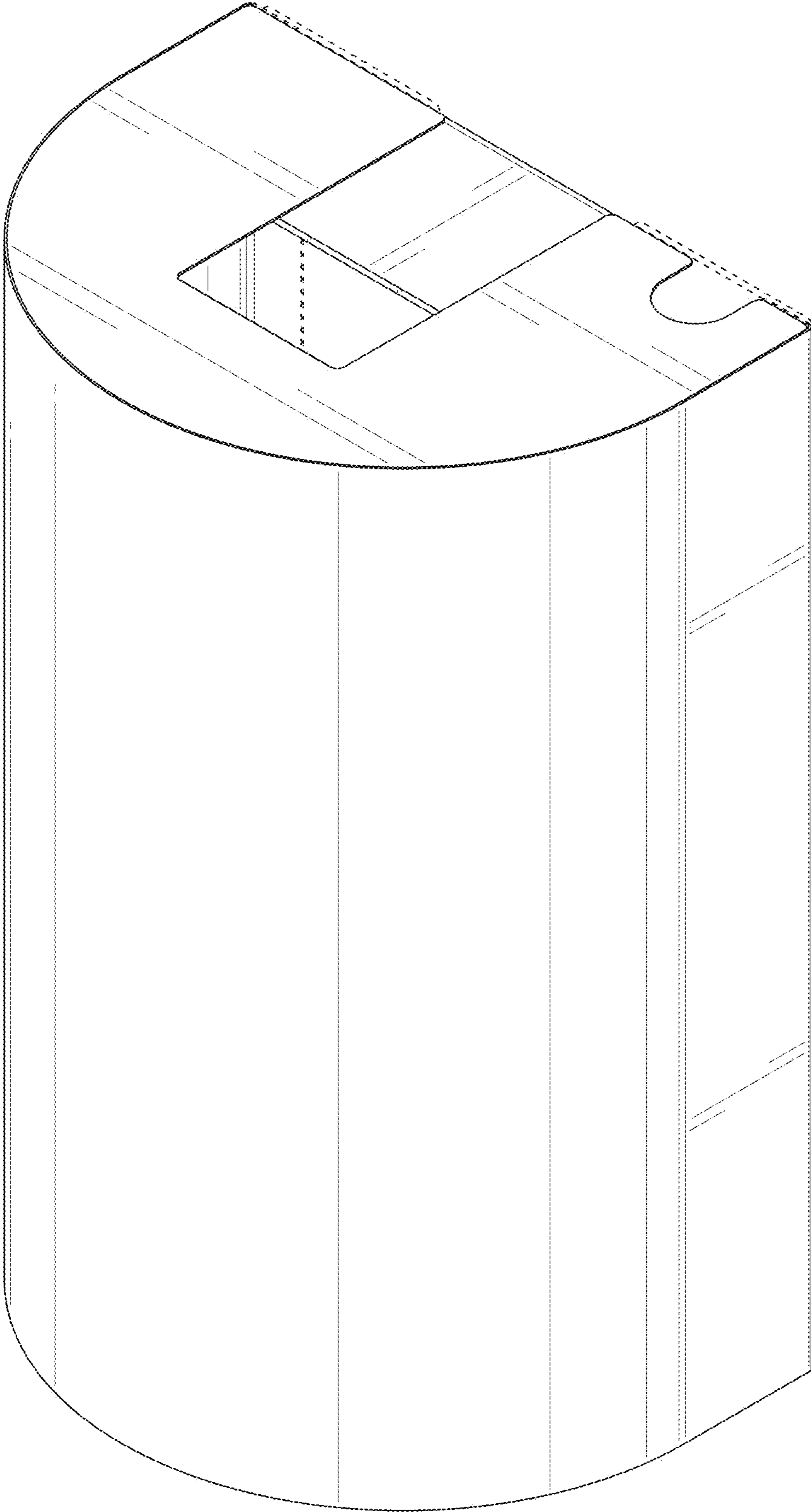


FIG. 9

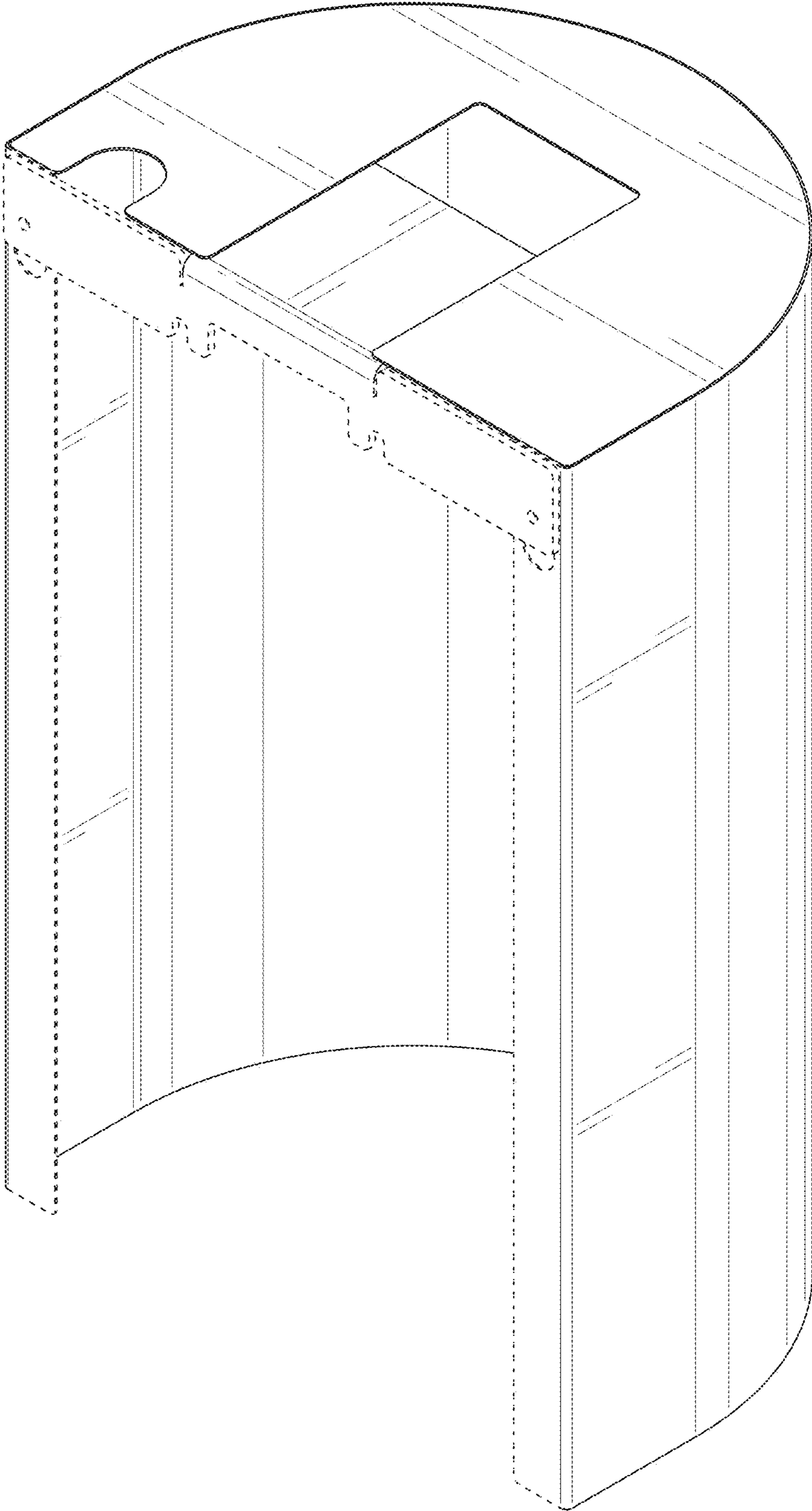


FIG. 10

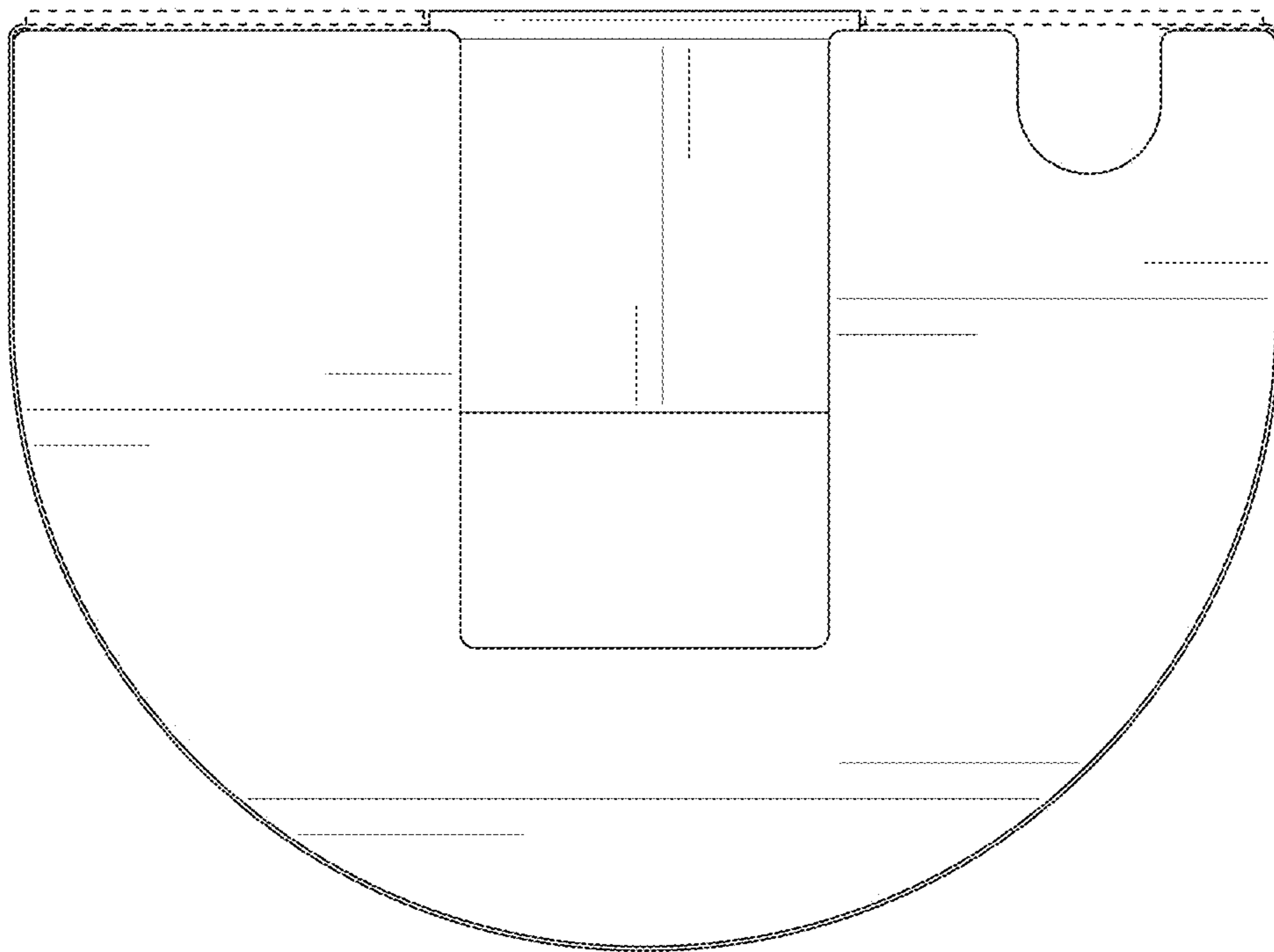


FIG. 11

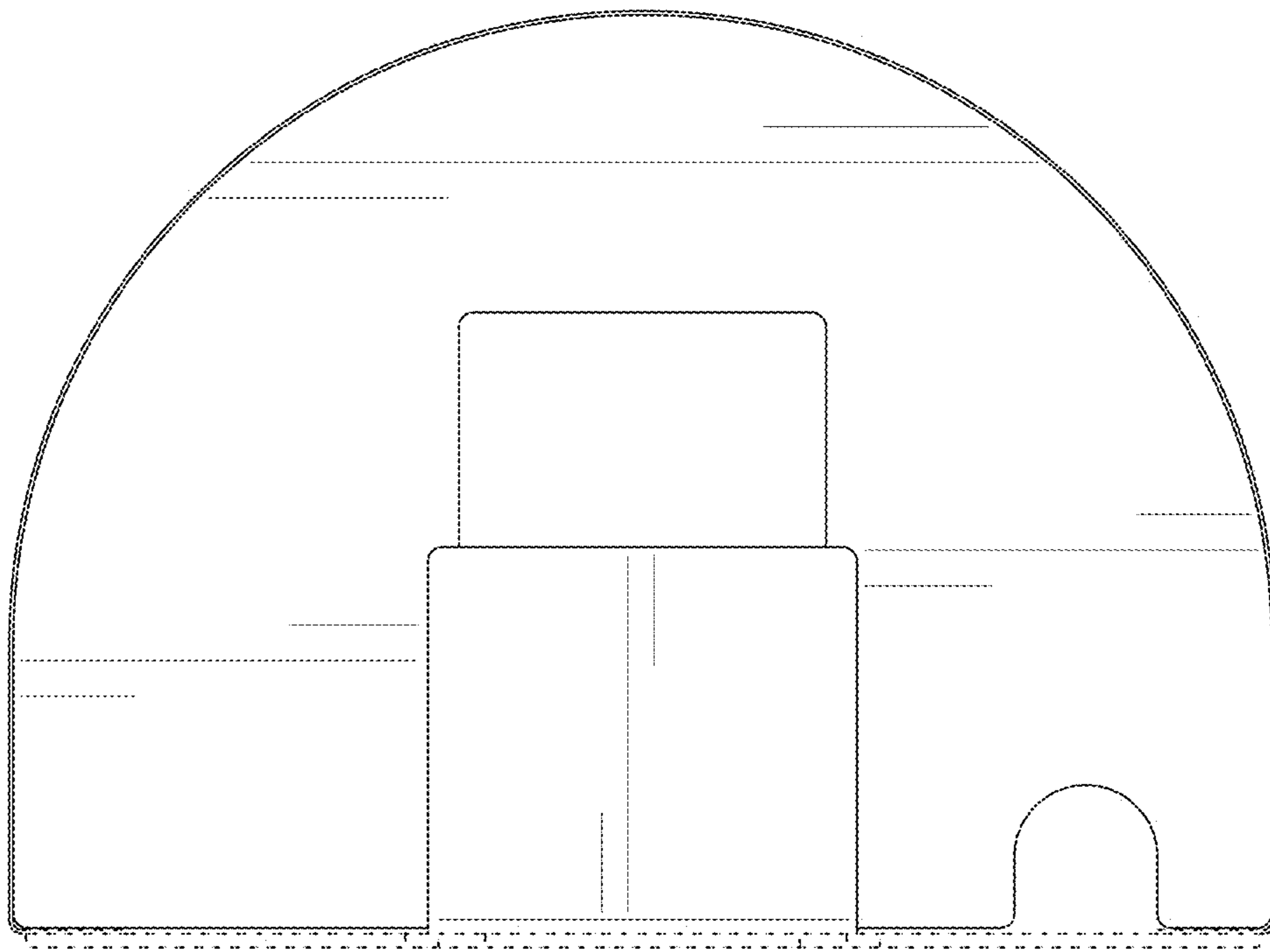


FIG. 12

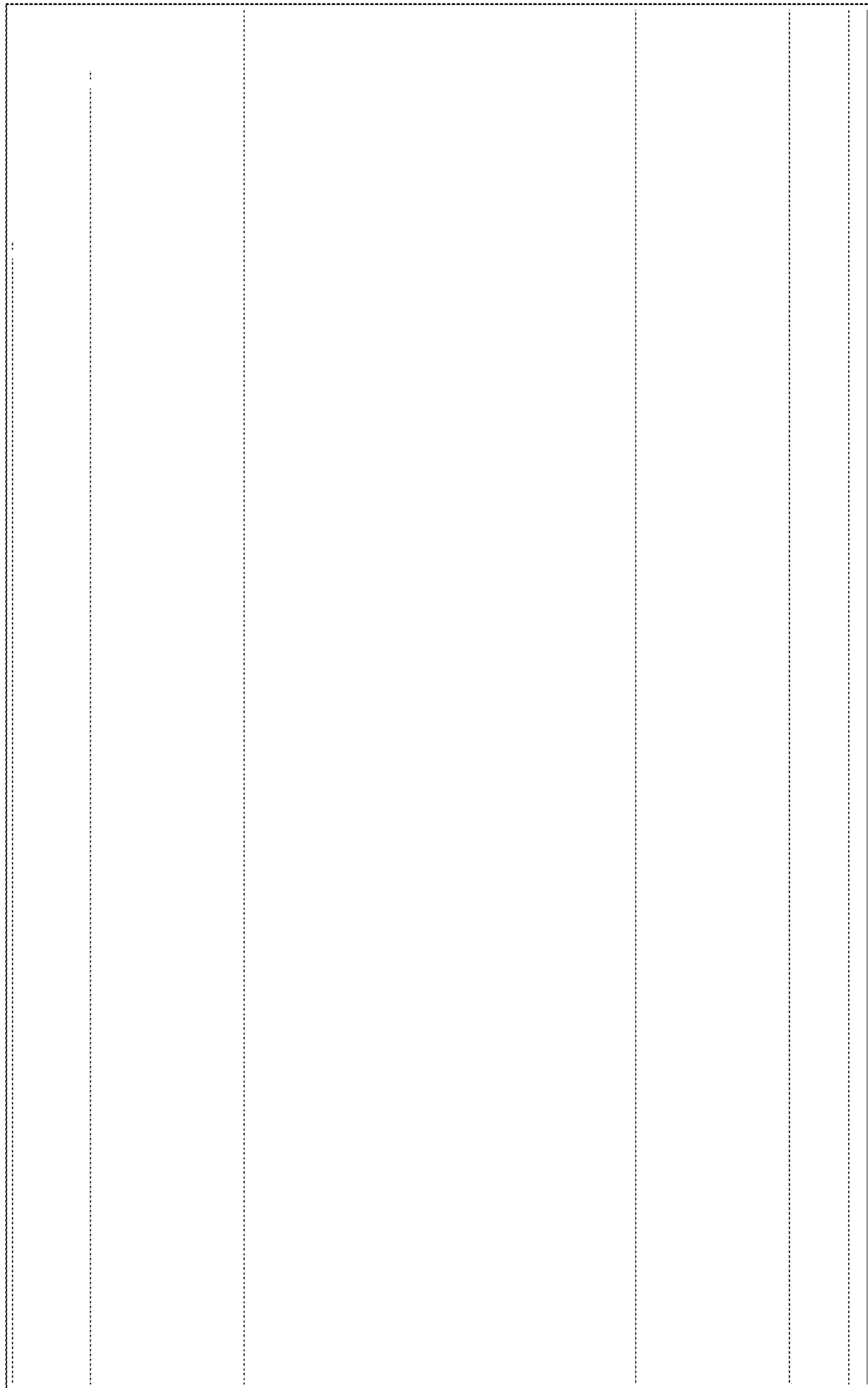


FIG. 13

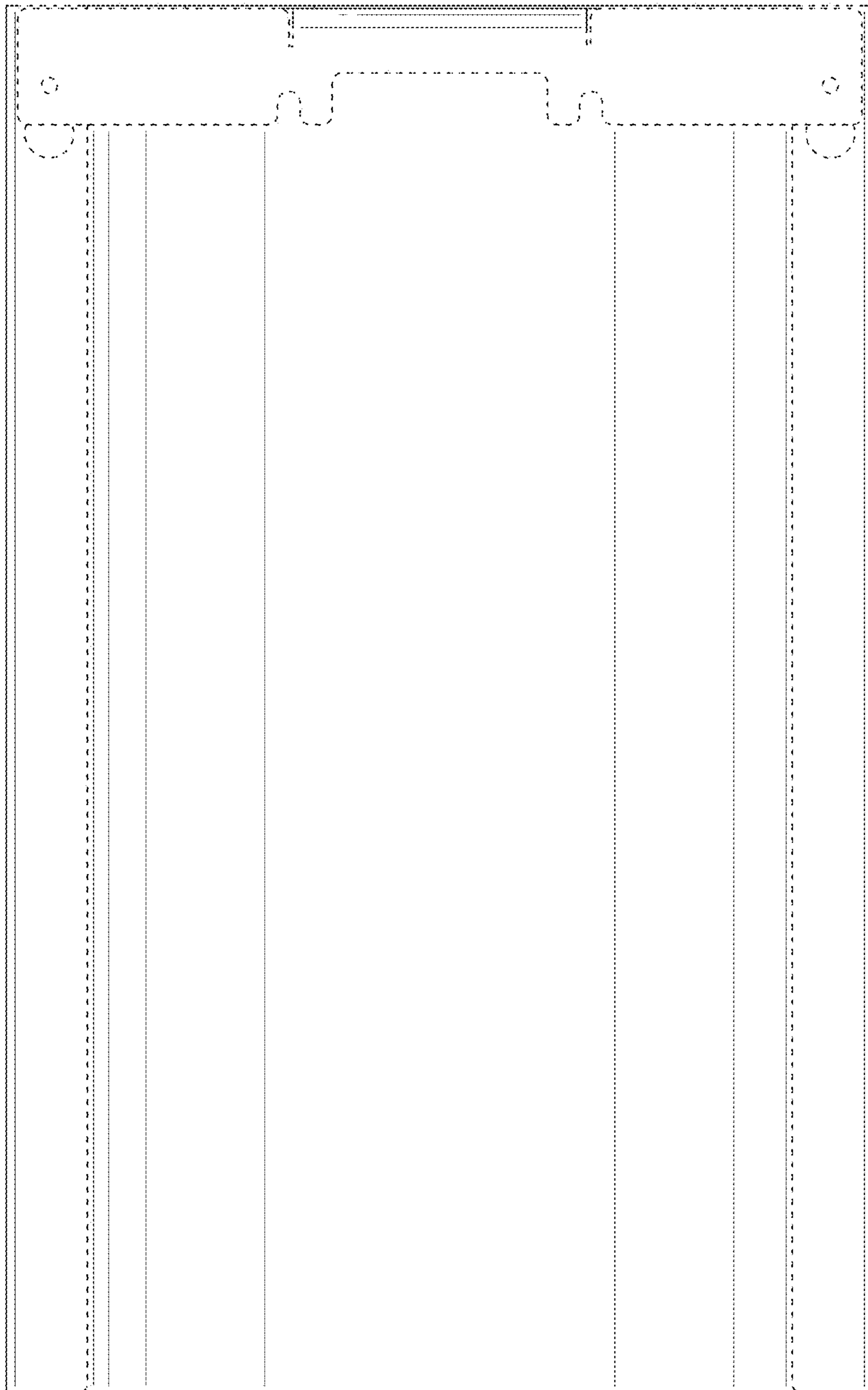


FIG. 14

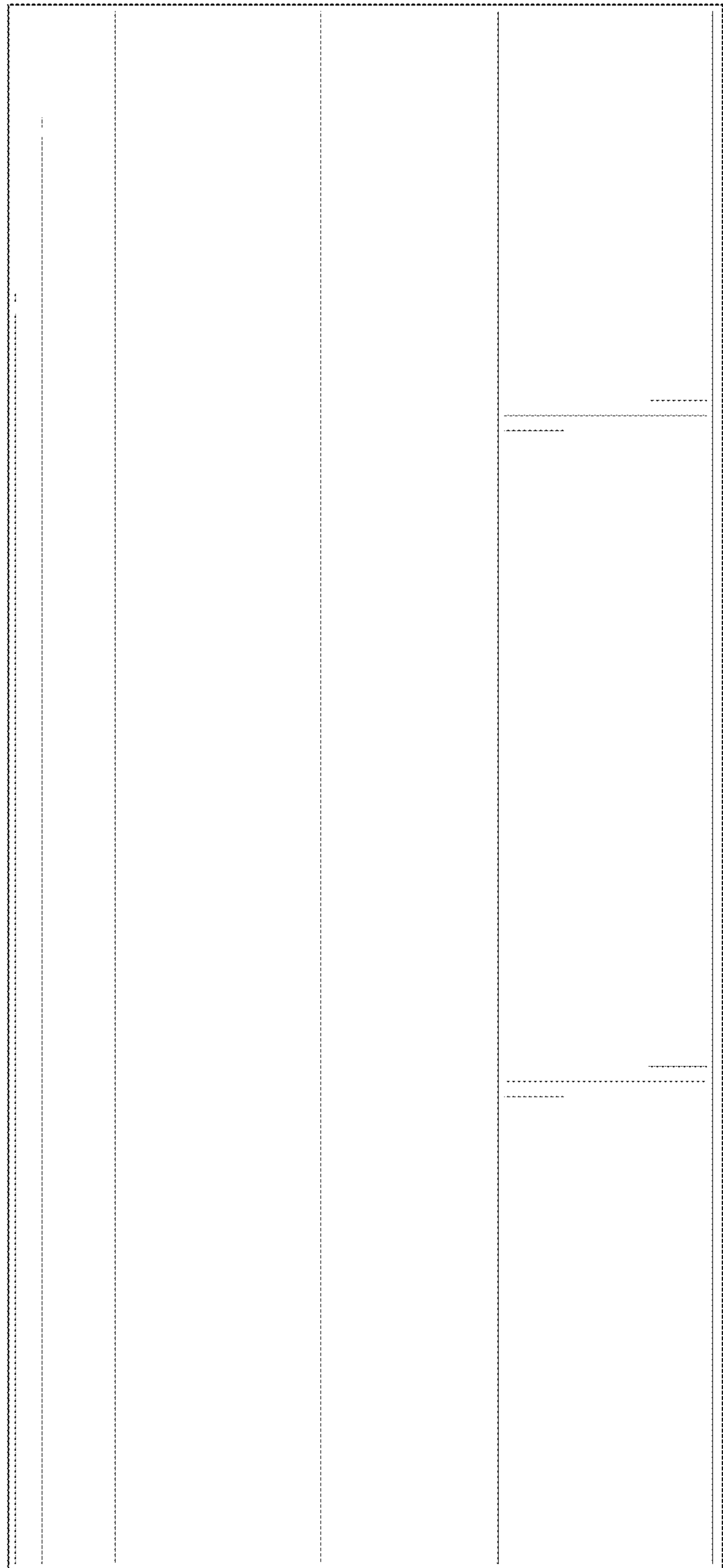


FIG. 15

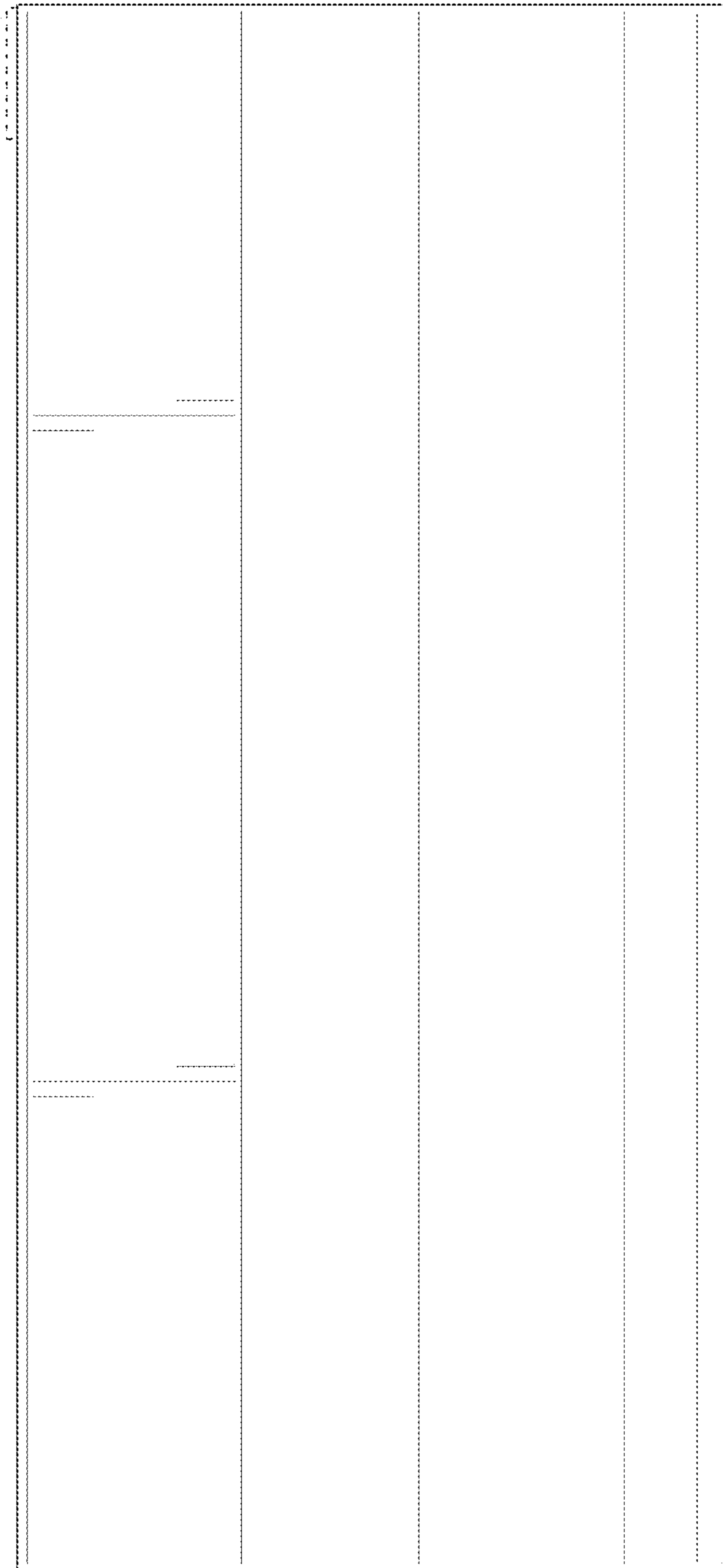


FIG. 16

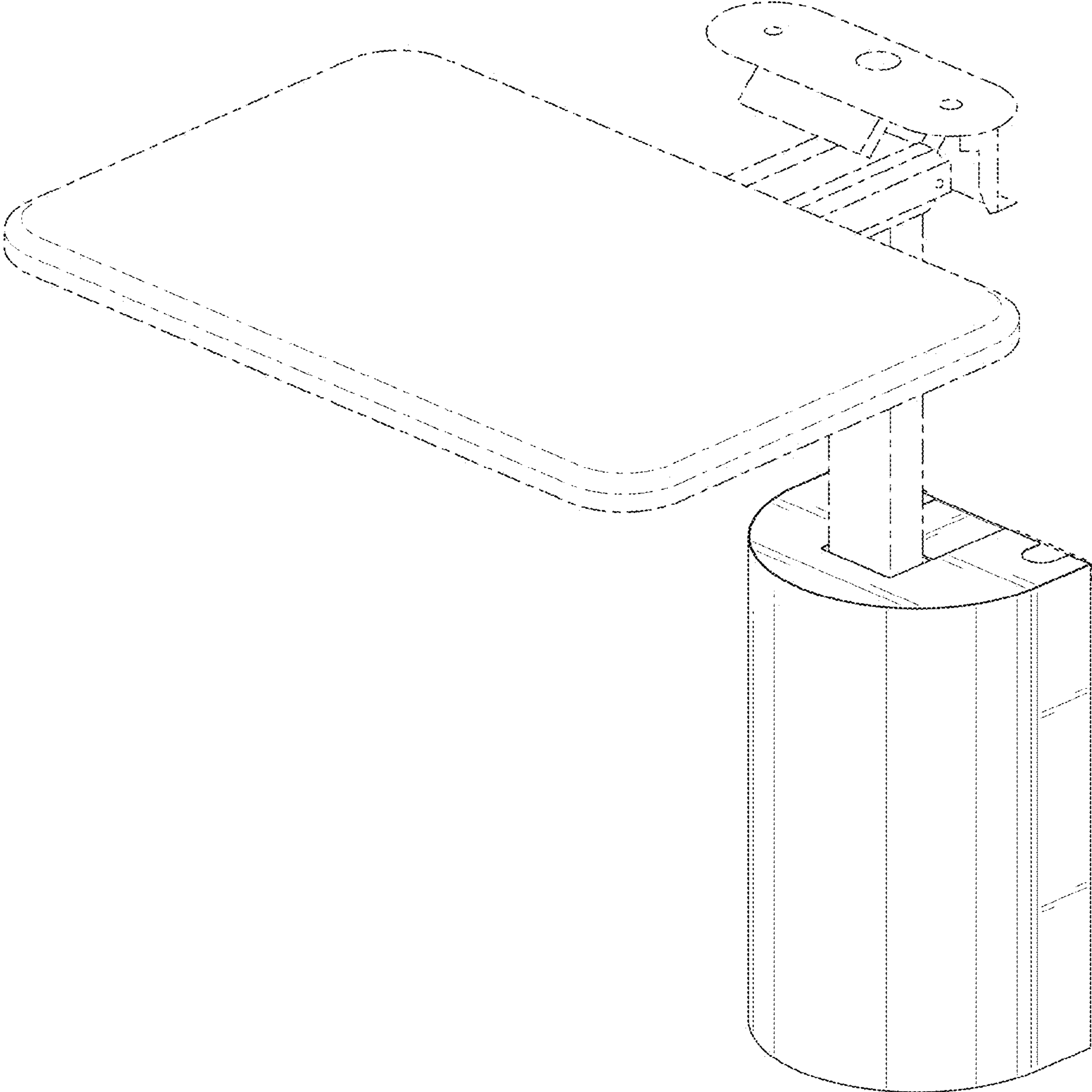


FIG. 17

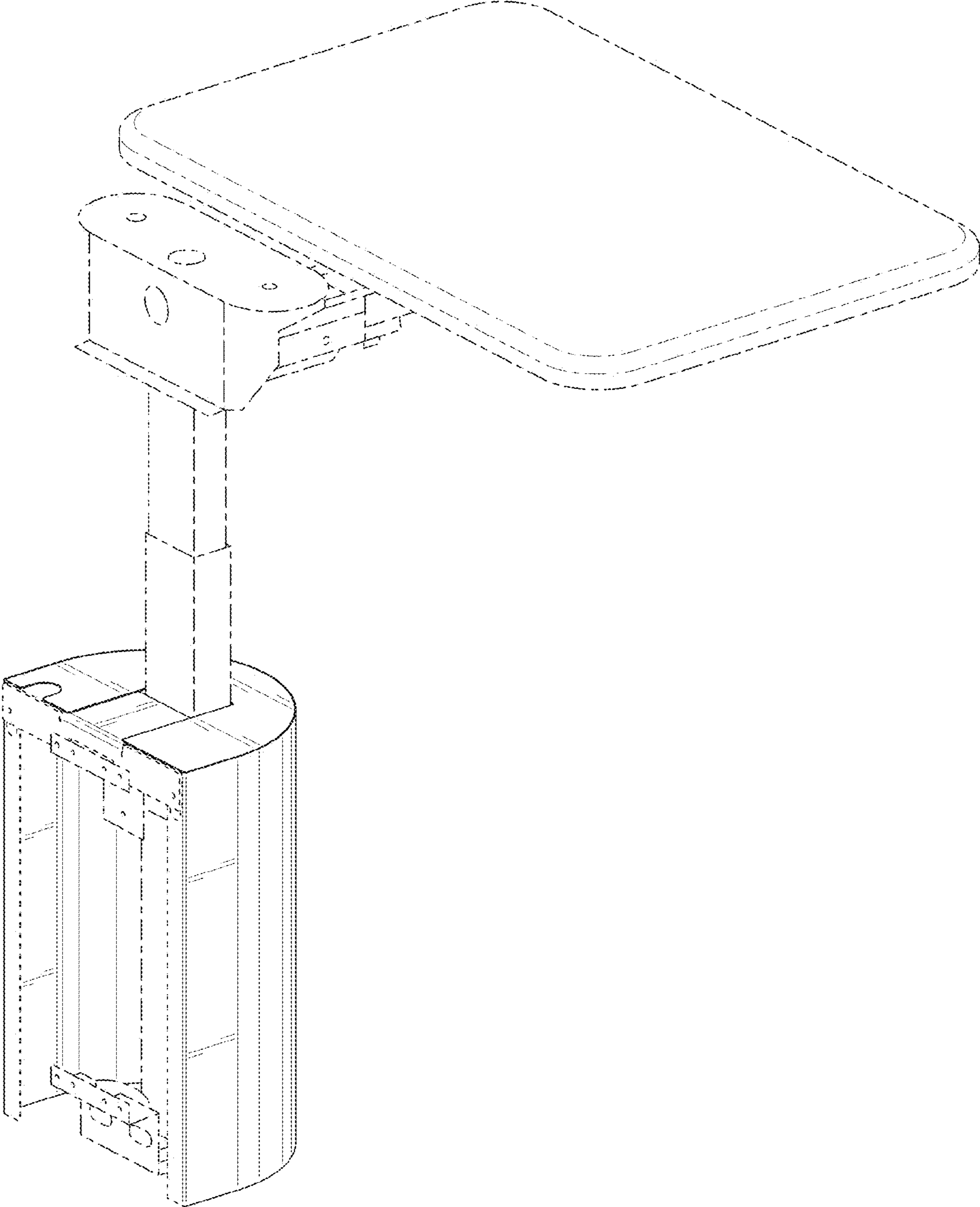


FIG. 18