



US00D952568S

(12) **United States Design Patent**  
**Huang**

(10) **Patent No.:** **US D952,568 S**

(45) **Date of Patent:** **\*\* May 24, 2022**

(54) **CAR CHARGER**

(71) Applicant: **YIWU SANJU ELECTRONIC  
COMMERCE CO., LTD.,** Yiwu (CN)

(72) Inventor: **Shaodong Huang,** Sanming (CN)

(73) Assignee: **YIWU SANJU ELECTRONIC  
COMMERCE CO., LTD.,** Yiwu (CN)

(\*\*) Term: **15 Years**

(21) Appl. No.: **29/777,724**

(22) Filed: **Apr. 8, 2021**

(51) **LOC (13) Cl.** ..... **13-03**

(52) **U.S. Cl.**  
USPC ..... **D13/144**

(58) **Field of Classification Search**  
USPC ..... D13/144, 108, 110, 107, 103; D12/114;  
D14/155, 252; D27/141  
CPC ..... H02J 7/342; H01R 2201/26  
See application file for complete search history.

(56) **References Cited**

**U.S. PATENT DOCUMENTS**

D626,528 S *	11/2010	Park	.....	D14/138 AB
D654,027 S *	2/2012	Huang	.....	D13/144
D695,710 S *	12/2013	Szymanski	.....	D14/214
D720,296 S *	12/2014	Charnis	.....	D13/144
D720,332 S *	12/2014	Kim	.....	D14/216
D739,386 S *	9/2015	Gattinger	.....	D14/219
D744,454 S *	12/2015	Ou Yang	.....	D14/207
D778,827 S *	2/2017	Broadhurst, IV	.....	D13/107
D807,289 S	1/2018	Wang		

D810,013 S *	2/2018	Smitley	.....	D13/108
D834,521 S	11/2018	Wang		
D860,171 S *	9/2019	Schmiedbauer	.....	D14/219
D939,448 S *	12/2021	Li	.....	D13/144

**OTHER PUBLICATIONS**

Amazon.com. Dual USB Car Charger Savori Bling. Date published: Apr. 2019. Date accessed: Feb. 2022. <https://www.amazon.com/Charger-SAVORI-Rhinestones-Decorations-Charging/dp/B07R2995F4/> (Year: 2019).\*

\* cited by examiner

*Primary Examiner* — Jennifer O King

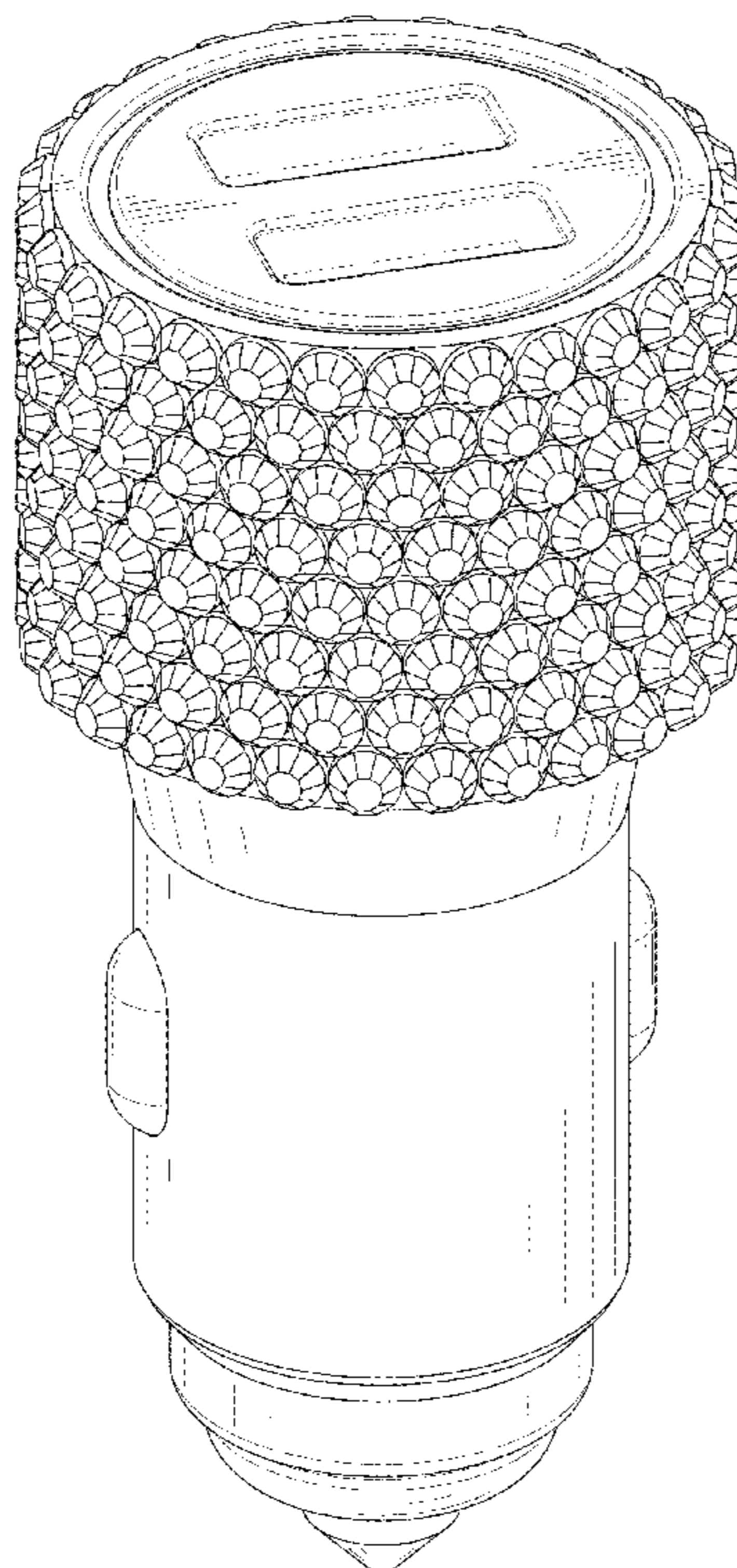
(57) **CLAIM**

The ornamental design for a car charger, as shown and described.

**DESCRIPTION**

FIG. 1 is a perspective view of a car charger showing my new design;  
FIG. 2 is another perspective view thereof;  
FIG. 3 is a front elevational view thereof;  
FIG. 4 is a rear elevational view thereof;  
FIG. 5 is a left side elevational view thereof;  
FIG. 6 is a right side elevational view thereof;  
FIG. 7 is a top plan view thereof;  
FIG. 8 is a bottom plan view thereof; and,  
FIG. 9 is an enlarged view of portion 9 shown in FIG. 2.  
The broken lines in the drawings depict portions of the car charger that form no part of the claimed design.

**1 Claim, 9 Drawing Sheets**



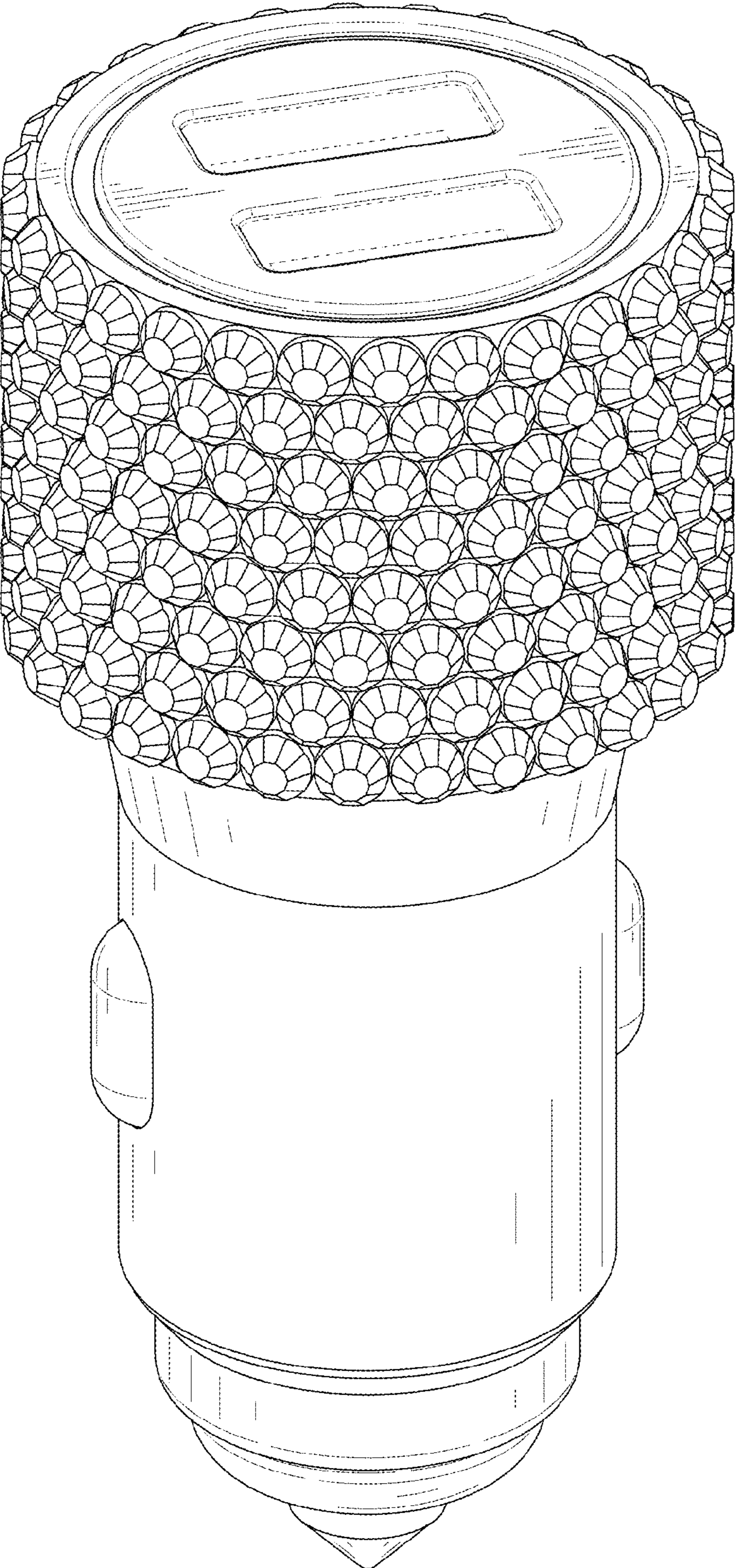


FIG. 1

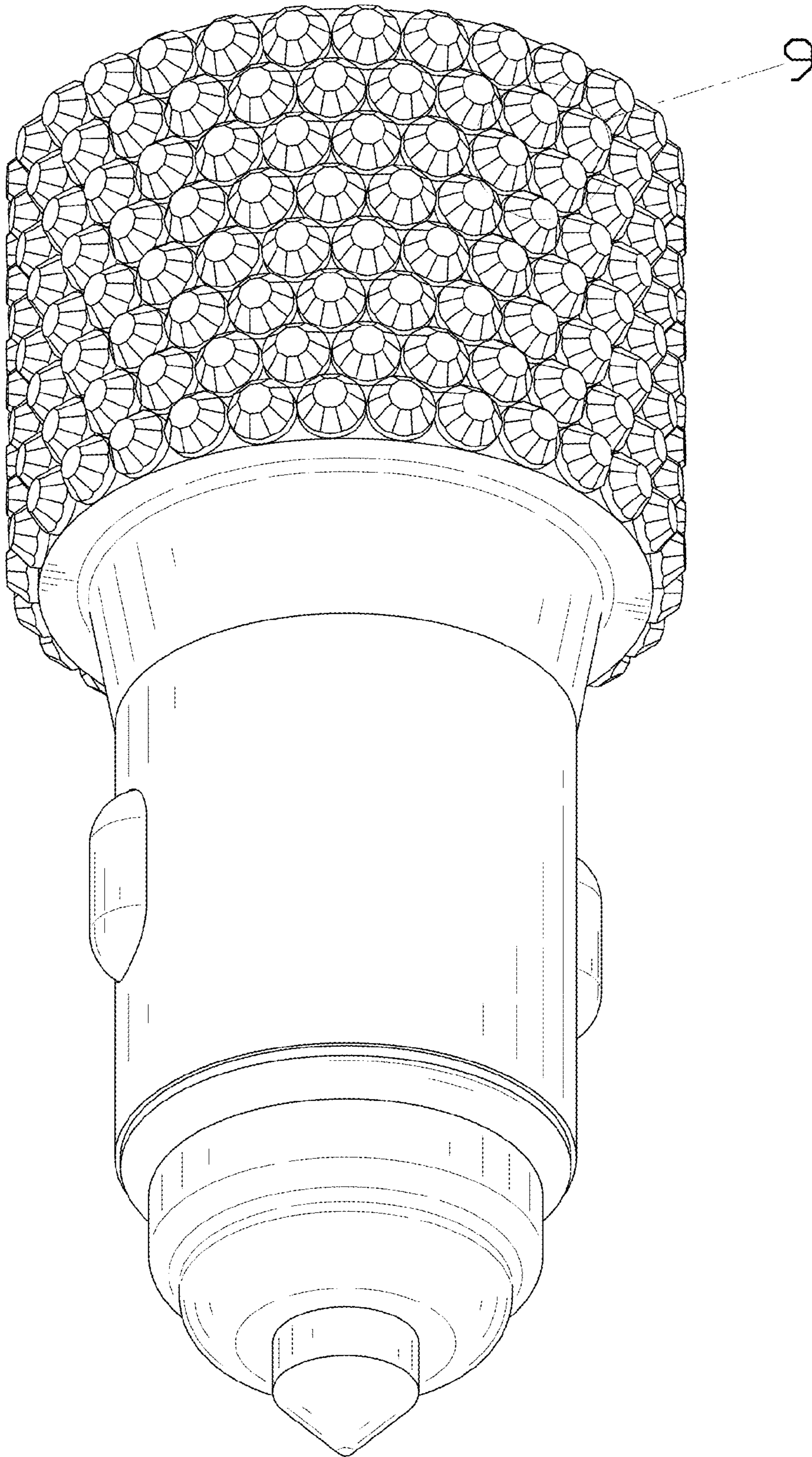


FIG. 2

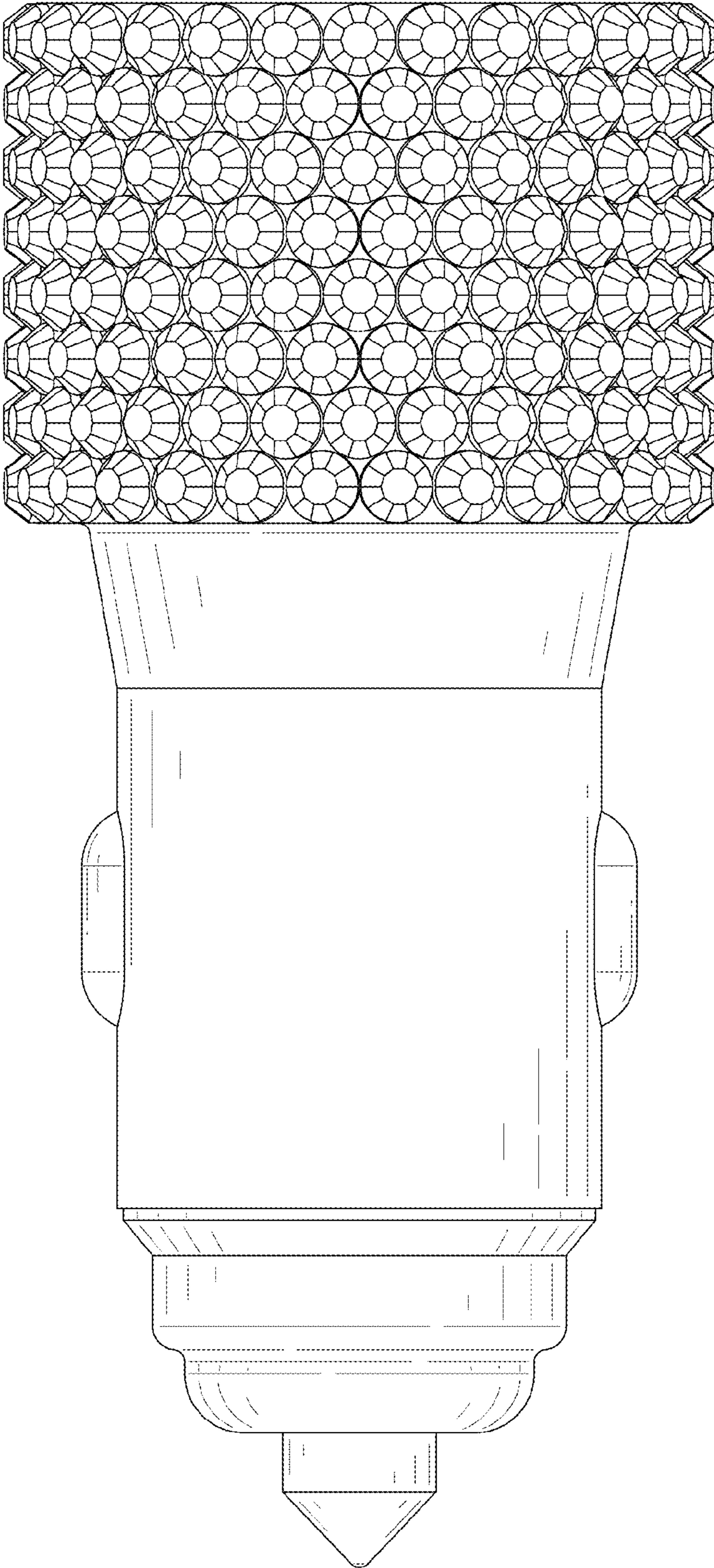


FIG. 3

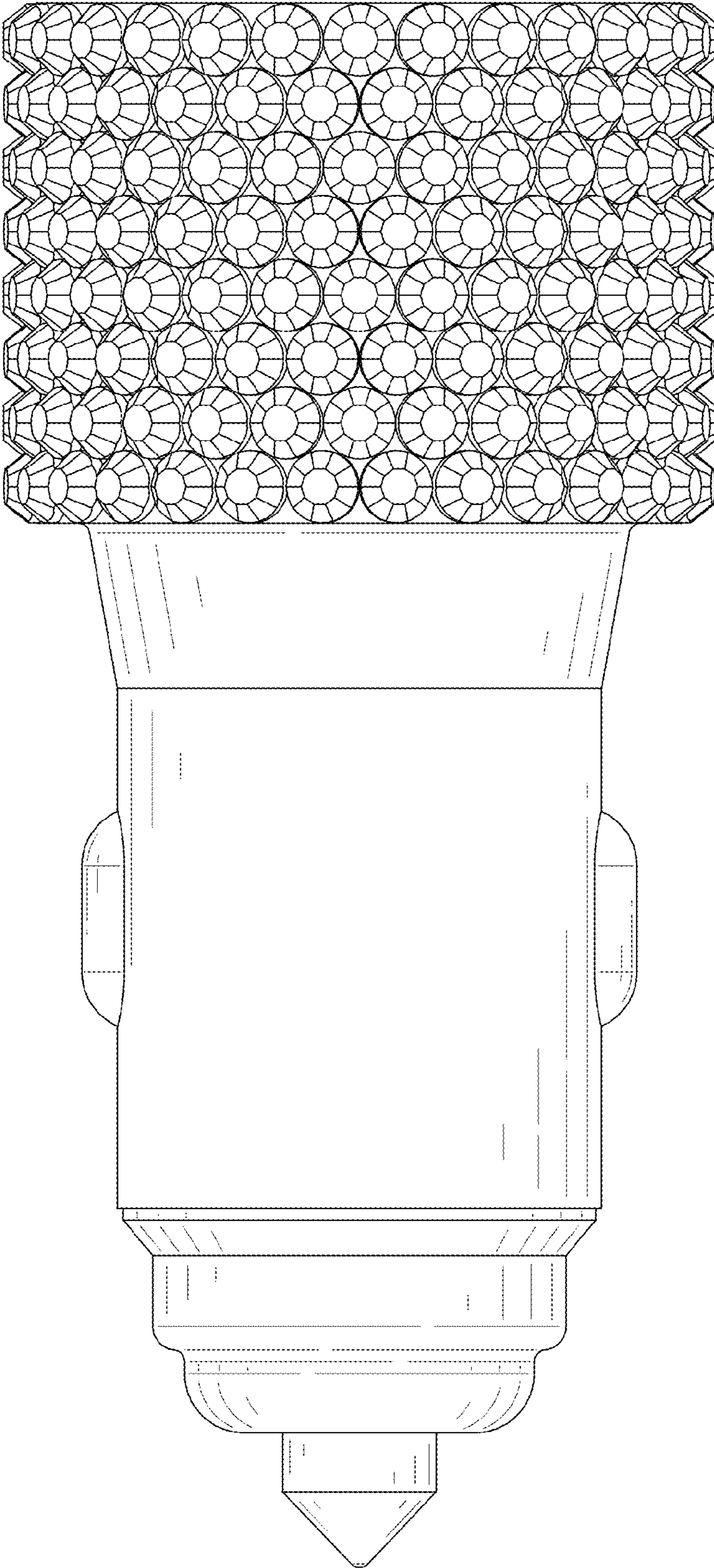


FIG. 4

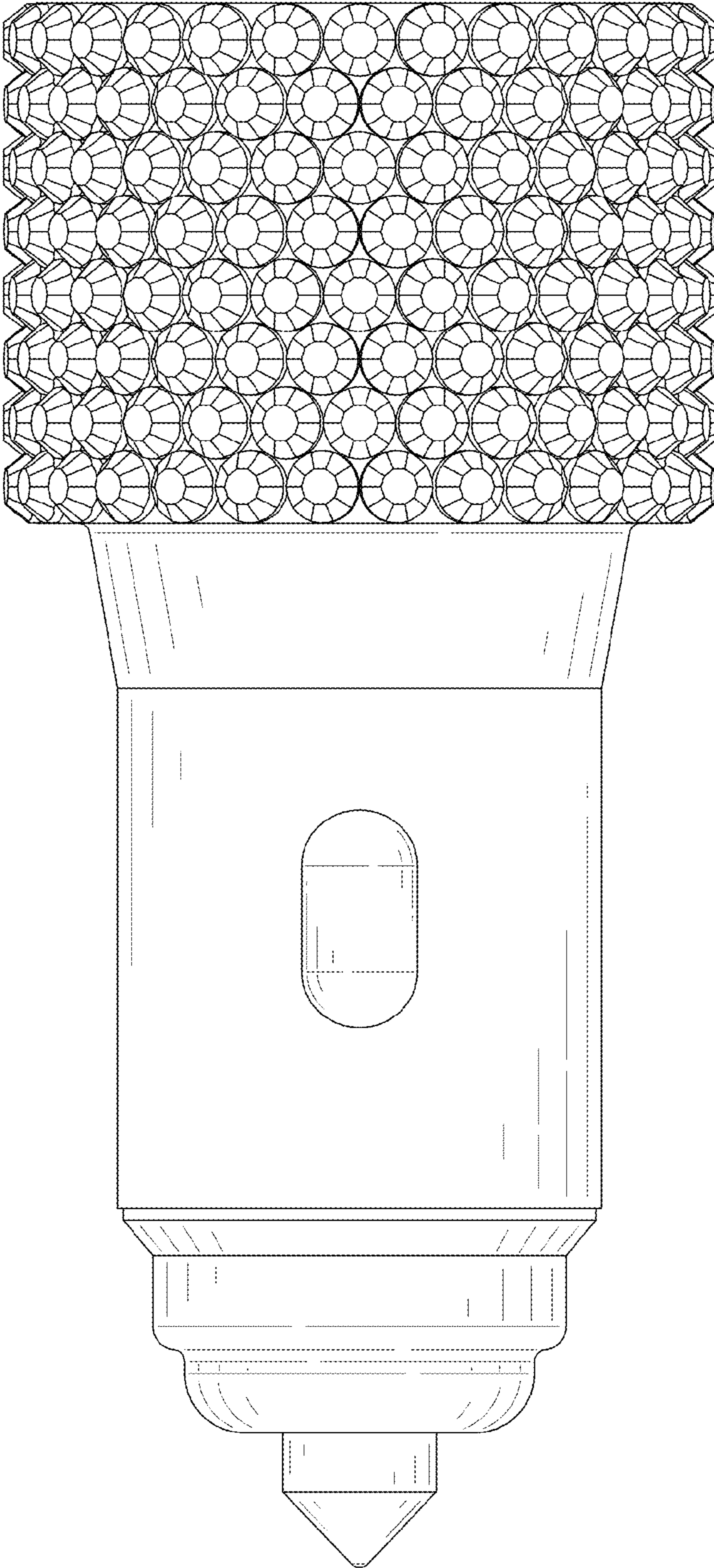


FIG. 5

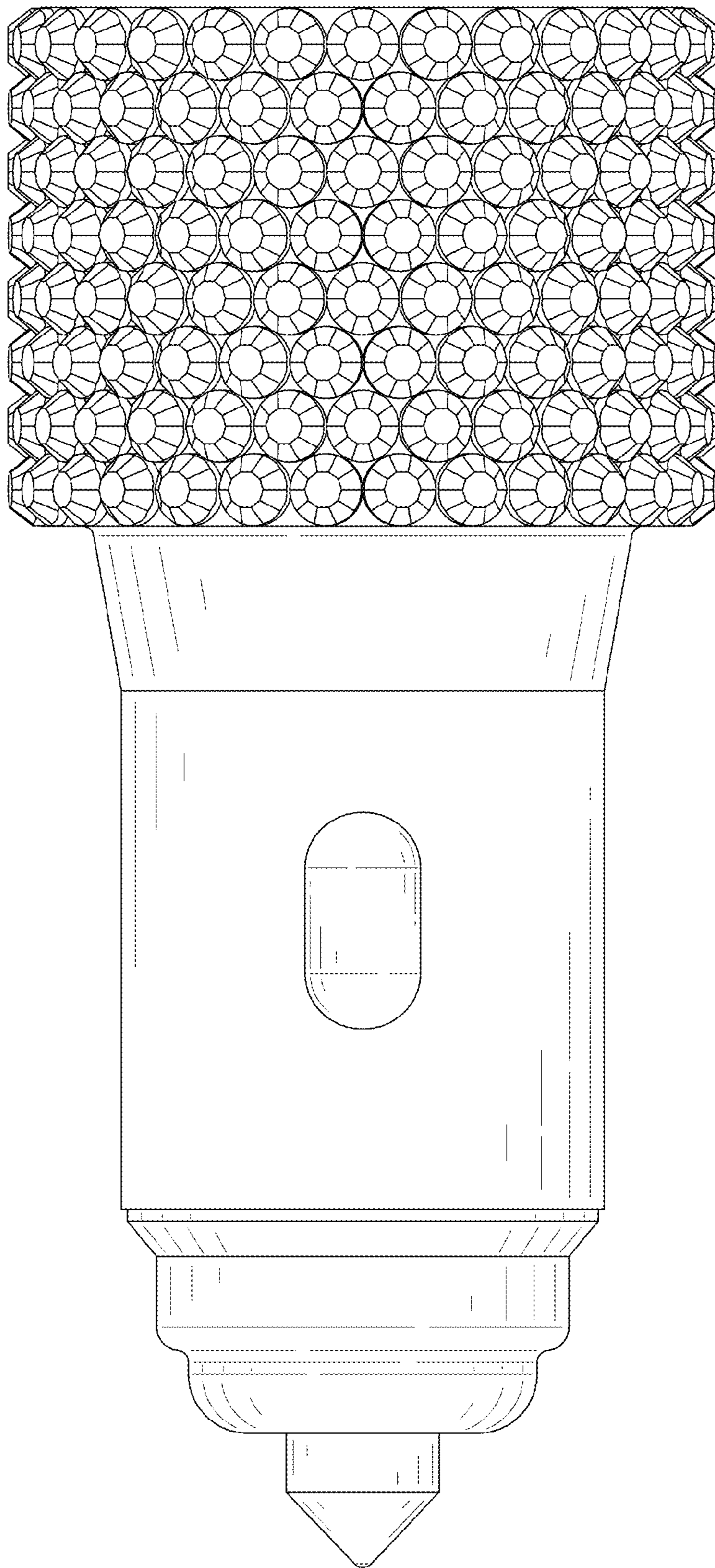


FIG. 6

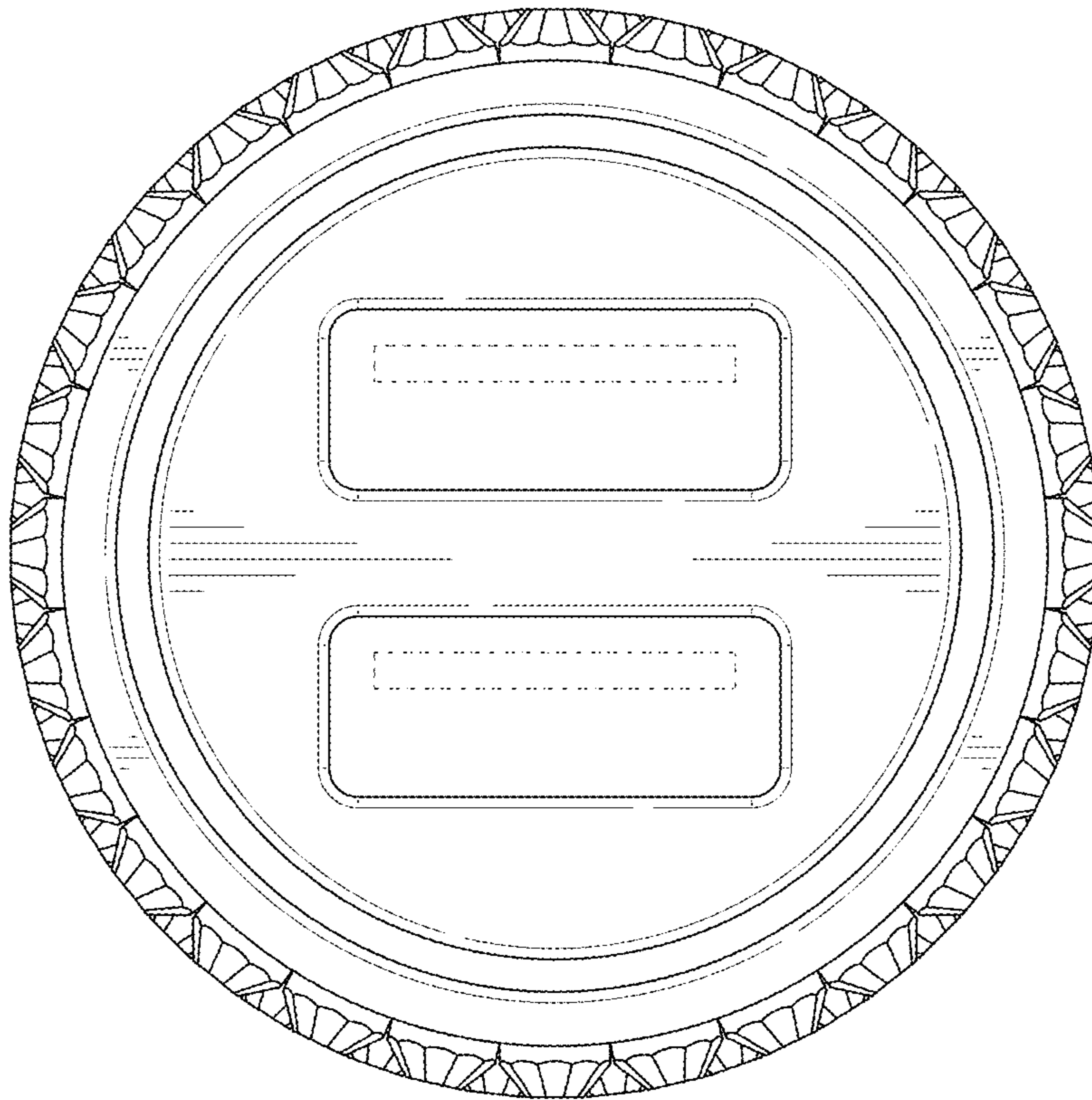


FIG. 7



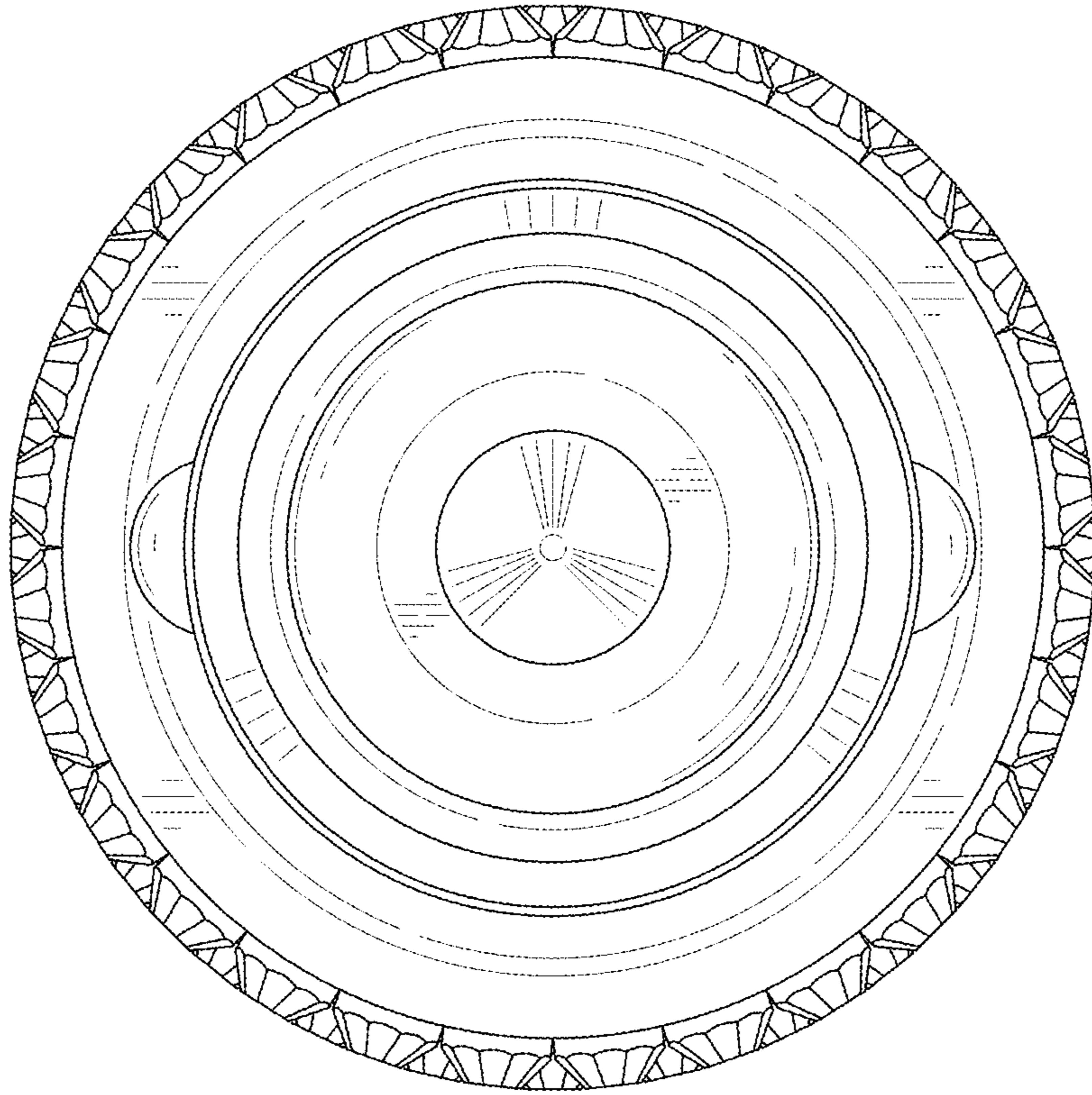


FIG. 8

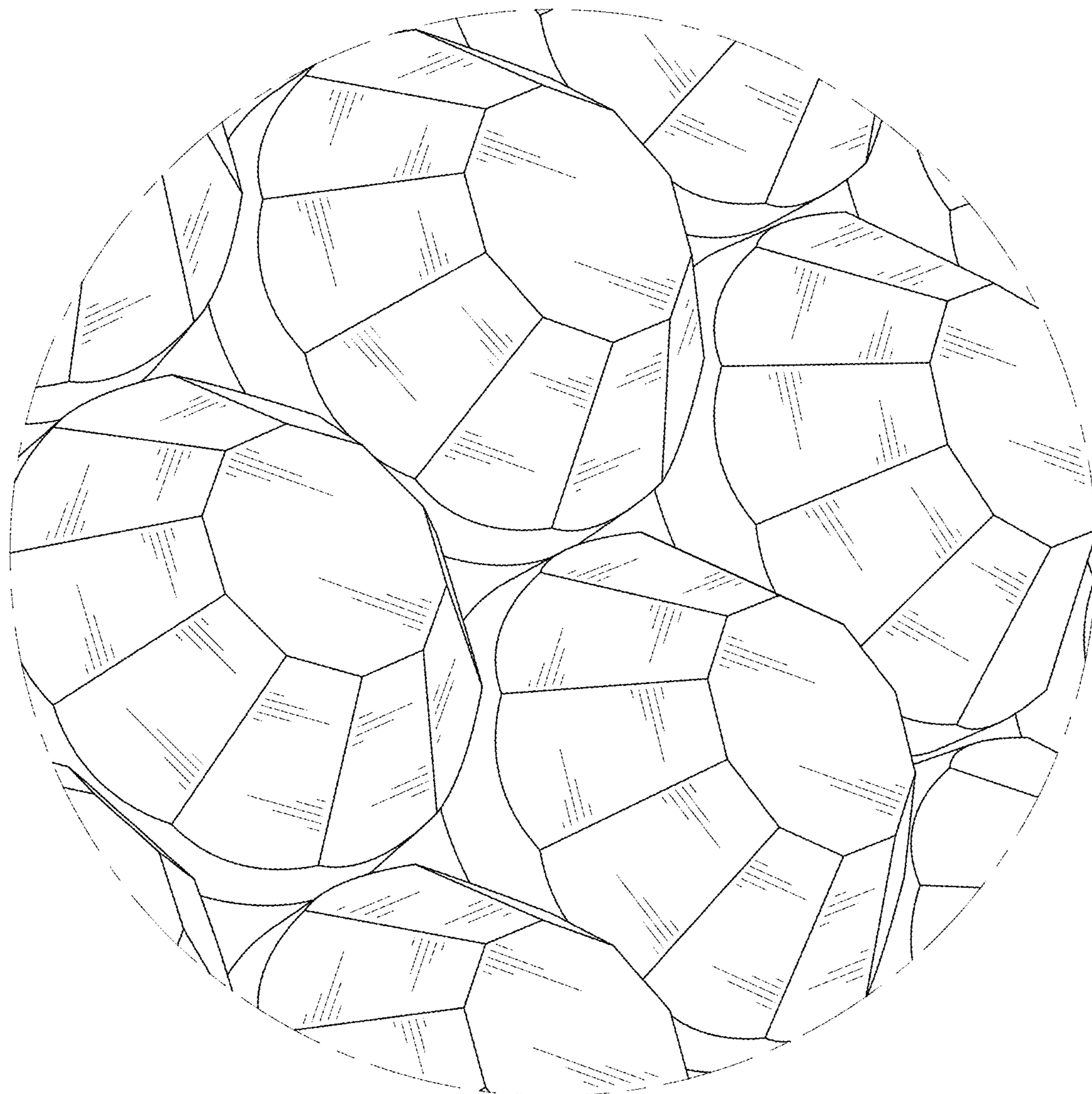


FIG. 9