



US00D952567S

(12) **United States Design Patent**
Wei

(10) **Patent No.:** **US D952,567 S**

(45) **Date of Patent:** **** May 24, 2022**

(54) **SOCKET**

(71) Applicant: **Xinghua Wei**, Guangdong (CN)

(72) Inventor: **Xinghua Wei**, Guangdong (CN)

(**) Term: **15 Years**

(21) Appl. No.: **29/757,158**

(22) Filed: **Nov. 4, 2020**

(51) **LOC (13) Cl.** **13-03**

(52) **U.S. Cl.**

USPC **D13/139.8**

(58) **Field of Classification Search**

USPC D13/137.1, 137.2, 137.3, 137.4, 138.1,
D13/138.2, 139.1, 139.2, 139.7, 139.8,
D13/184, 103, 107, 199, 108, 110, 119,
D13/123, 133, 139.3, 139.5, 139.6, 152,
D13/145, 153, 154, 156, 158, 160, 162,
D13/177; D14/433, 434

CPC H01R 13/00; H01R 13/04; H01R 13/10;
H01R 13/665; H01R 13/6666; H01R
13/6676; H01R 13/7135; H01R 25/00;
H01R 25/006; H01R 9/00; H01R 11/00;
H02H 3/33; H02H 3/162; H01H 2207/00;
H01H 2207/022; H01H 2203/00; H05K
5/00; H05K 5/03

See application file for complete search history.

(56) **References Cited**

U.S. PATENT DOCUMENTS

D367,037 S * 2/1996 Fladung D13/137.2
D367,038 S * 2/1996 Fladung D13/137.2
D370,459 S * 6/1996 Boesel D13/137.2
D717,732 S * 11/2014 Byrne D13/137.1
D736,709 S * 8/2015 Byrne D13/137.1
D814,420 S * 4/2018 Chen D13/137.2
D871,344 S * 12/2019 Lyu D13/139.8
D878,299 S * 3/2020 Lyu D13/139.8
D881,821 S * 4/2020 Lyu D13/139.8

D883,934 S * 5/2020 Yu D13/139.8
D885,345 S * 5/2020 Chen D13/139.8
D900,749 S * 11/2020 Bao D13/137.2
D903,600 S * 12/2020 Tseng D13/139.7

FOREIGN PATENT DOCUMENTS

GB 6090783 * 5/2020
GB 6097887 * 8/2020
GB 6115167 * 1/2021

OTHER PUBLICATIONS

“Power Strip with 3 USB Ports, TESSAN 5 ft Extension Cord Flat Plug with 4 Outlets, Overload Protection Indoor Desk Charging Station, Mountable Compact for Travel, Cruise Ship, and Dorm Essentials”, first available Oct. 30, 2019. Amazon.com [https://www.amazon.com/dp/B07ZRDGF6Y] (Year: 2019).*

“Multi Plug Outlet Extender with USB, Tessan Surge Protector Outlet Splitter with 3 USB Wall Charger, Multiple Plug Expander for Travel, Home, Office”, first available Apr. 17, 2021. Amazon.com [https://www.amazon.com/dp/B092QT9KSM] (Year: 2021).*

* cited by examiner

Primary Examiner — Rosemary K Tarcza

Assistant Examiner — Seth David Kumpf

(57)

CLAIM

The ornamental design for a socket, as shown.

DESCRIPTION

FIG. 1 is a front elevational view of a socket showing my new design;

FIG. 2 is a rear elevational view thereof;

FIG. 3 is a left side view thereof;

FIG. 4 is a right side view thereof;

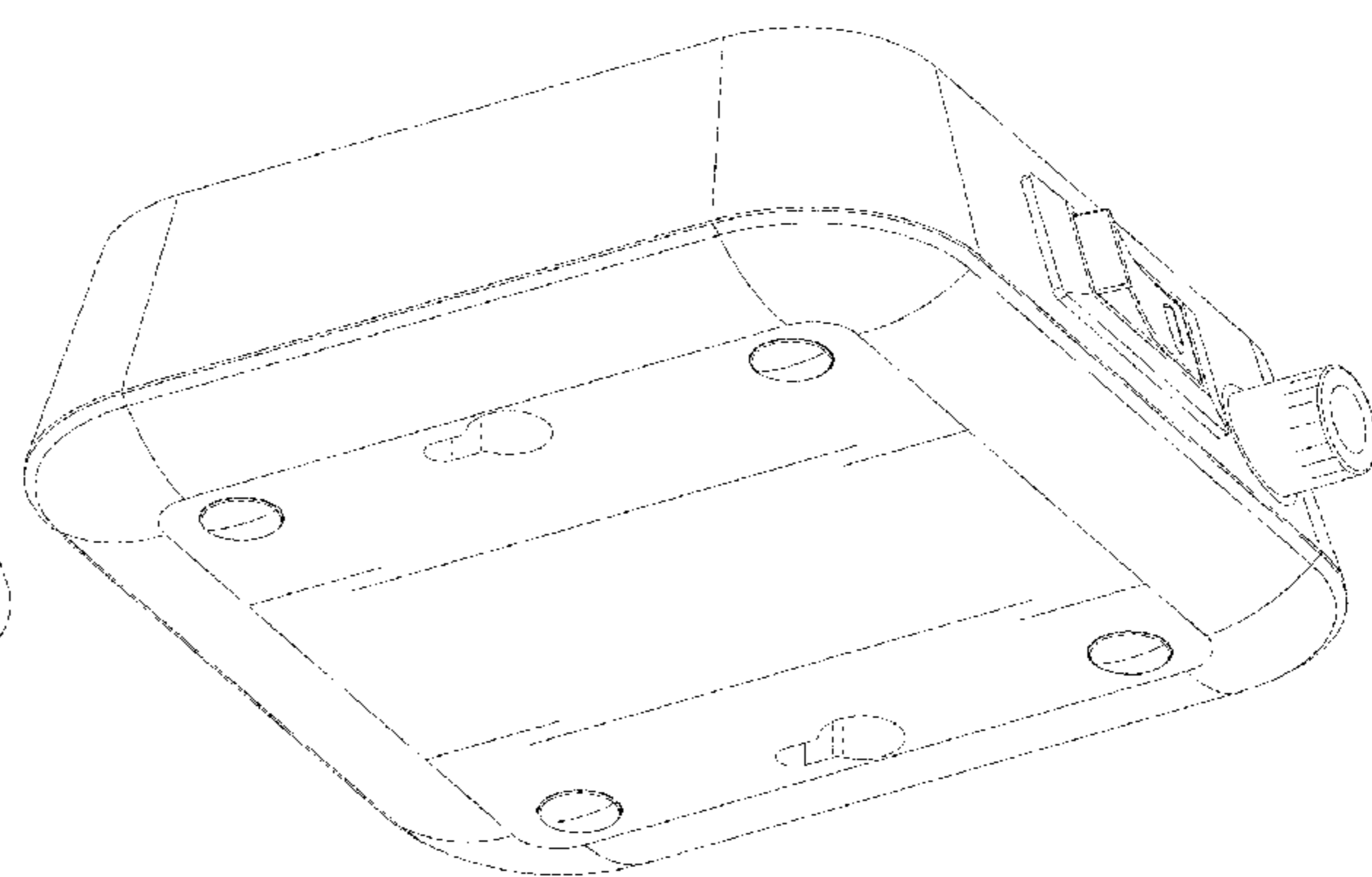
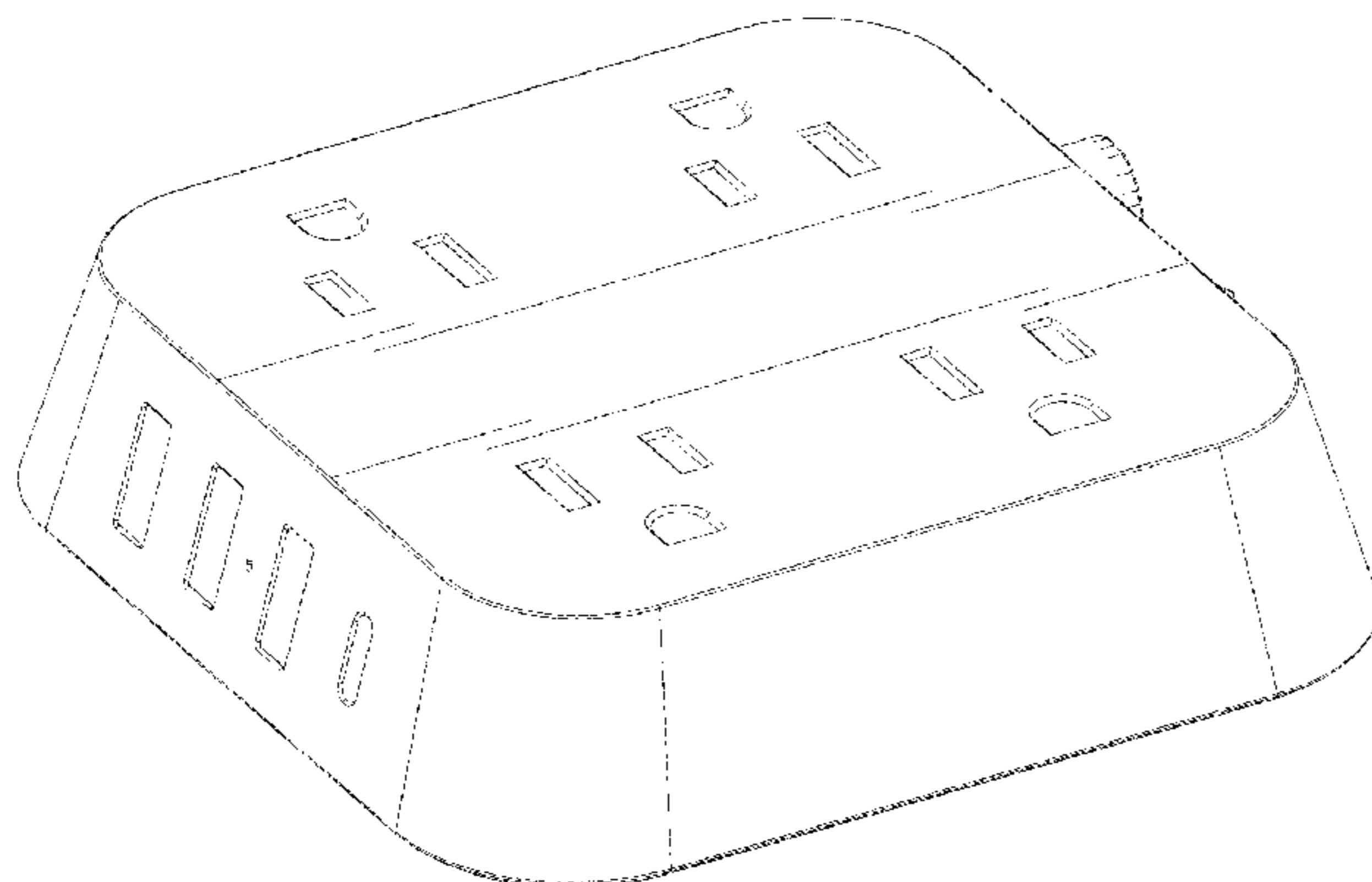
FIG. 5 is a top plan view thereof;

FIG. 6 is a bottom plan view thereof;

FIG. 7 is a perspective view thereof; and,

FIG. 8 is another perspective view thereof.

1 Claim, 6 Drawing Sheets



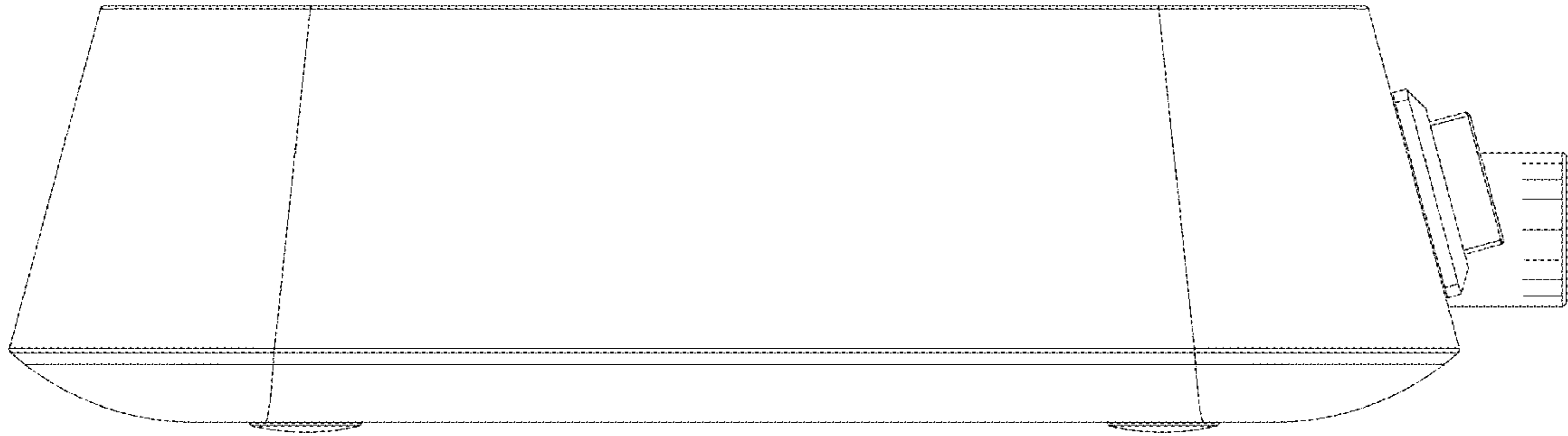


FIG.1

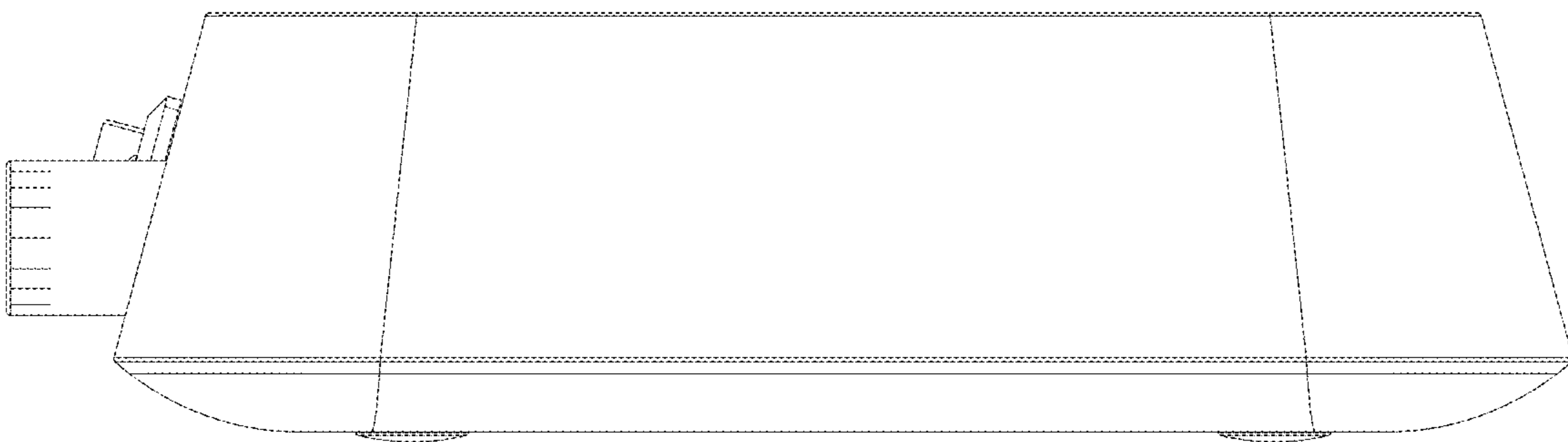


FIG.2

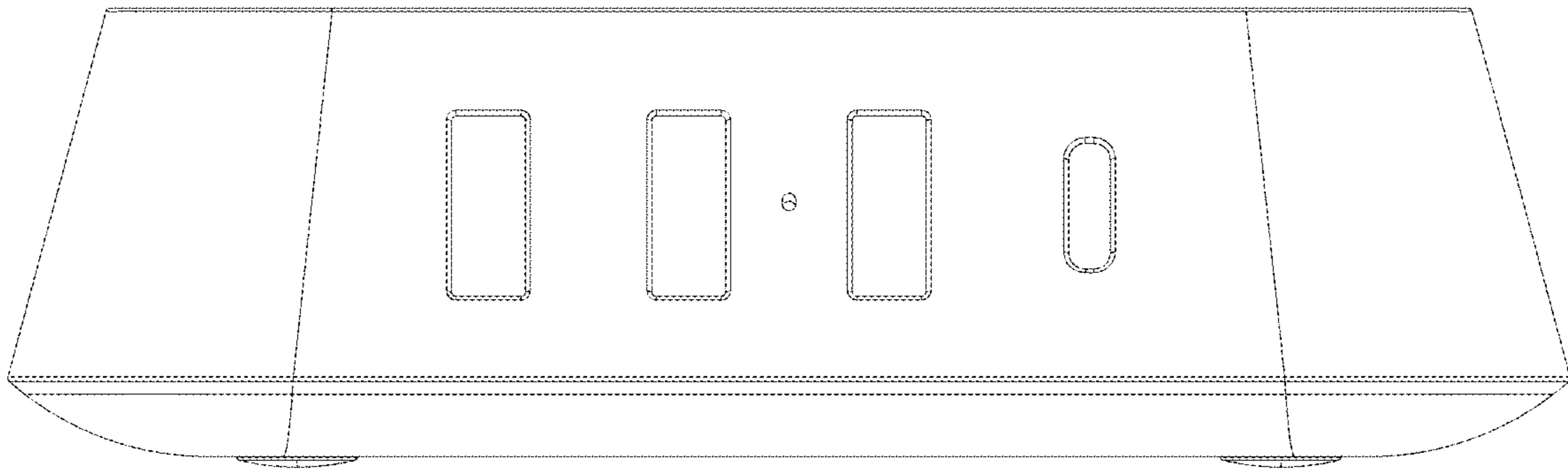


FIG. 3

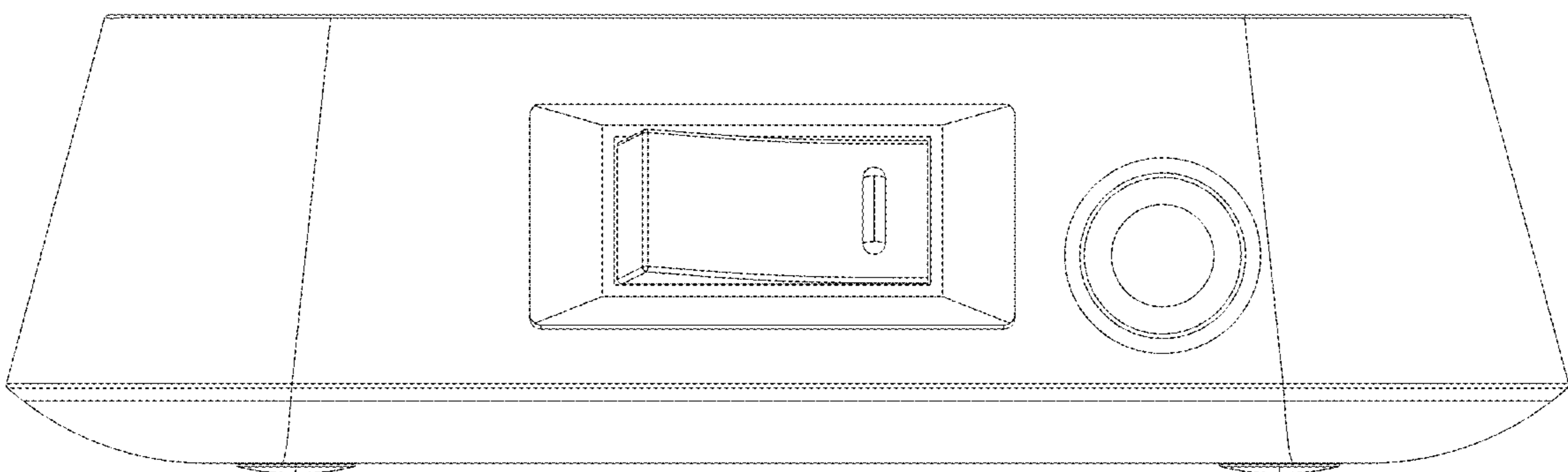


FIG. 4

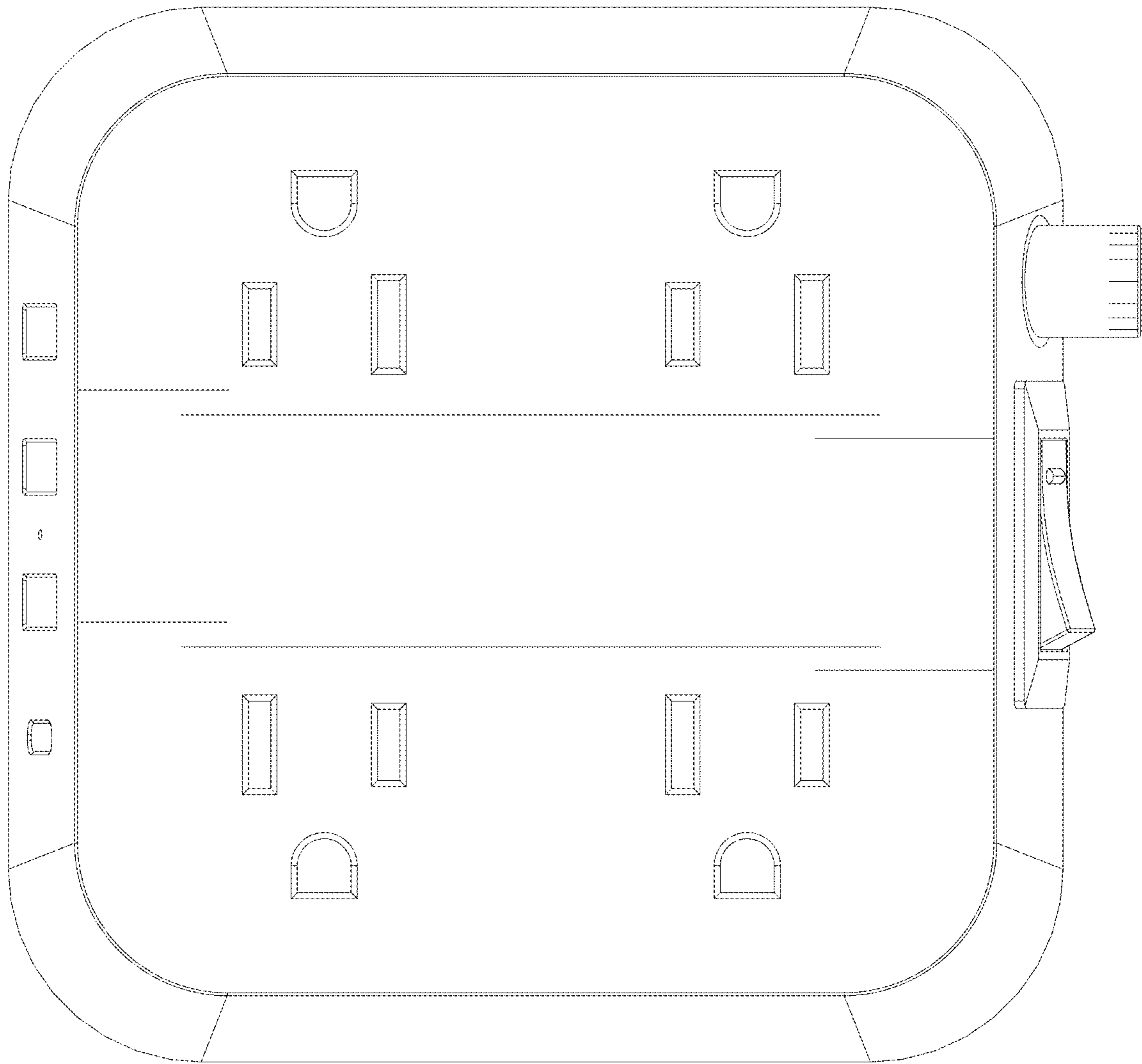


FIG. 5

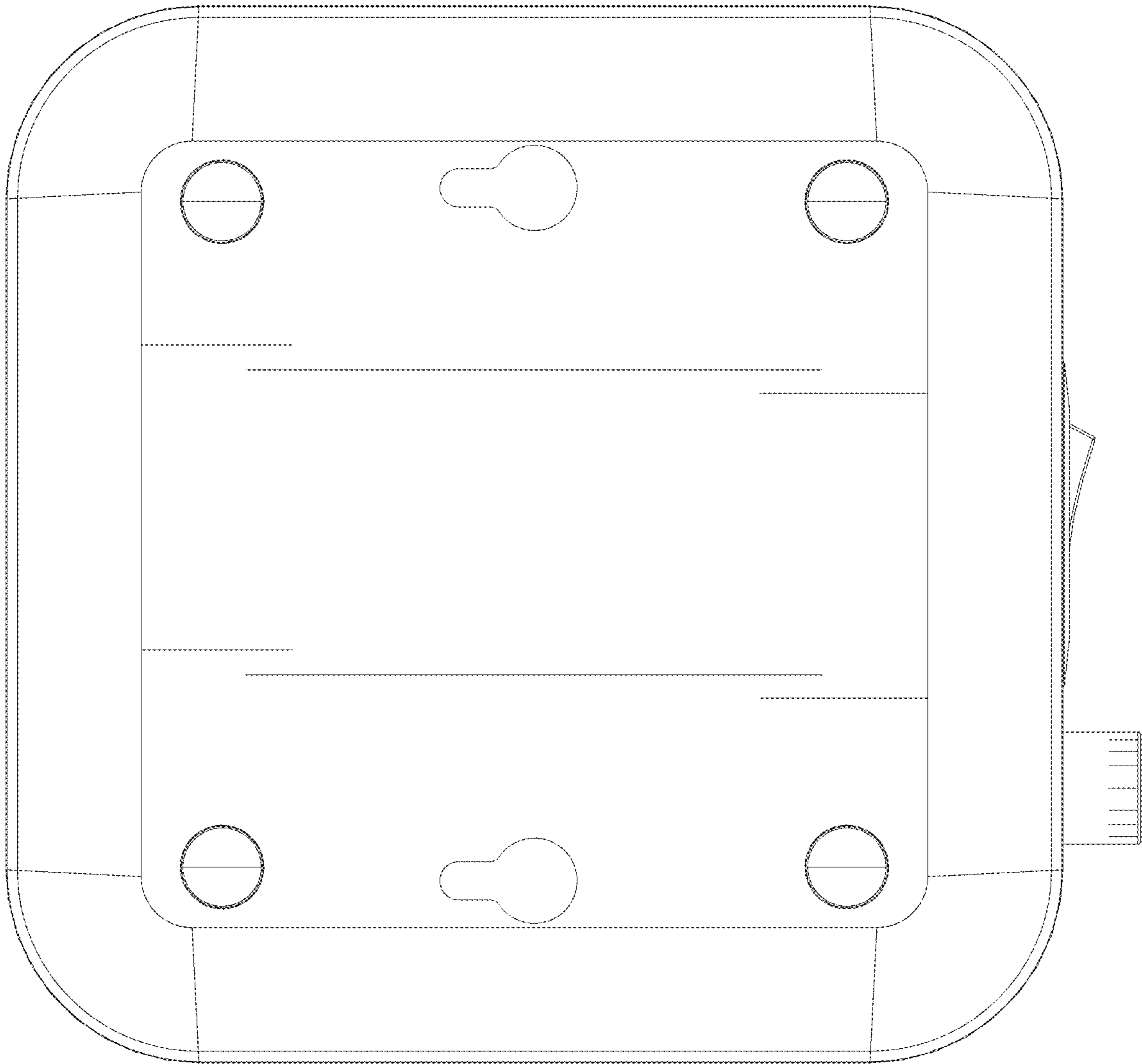


FIG.6

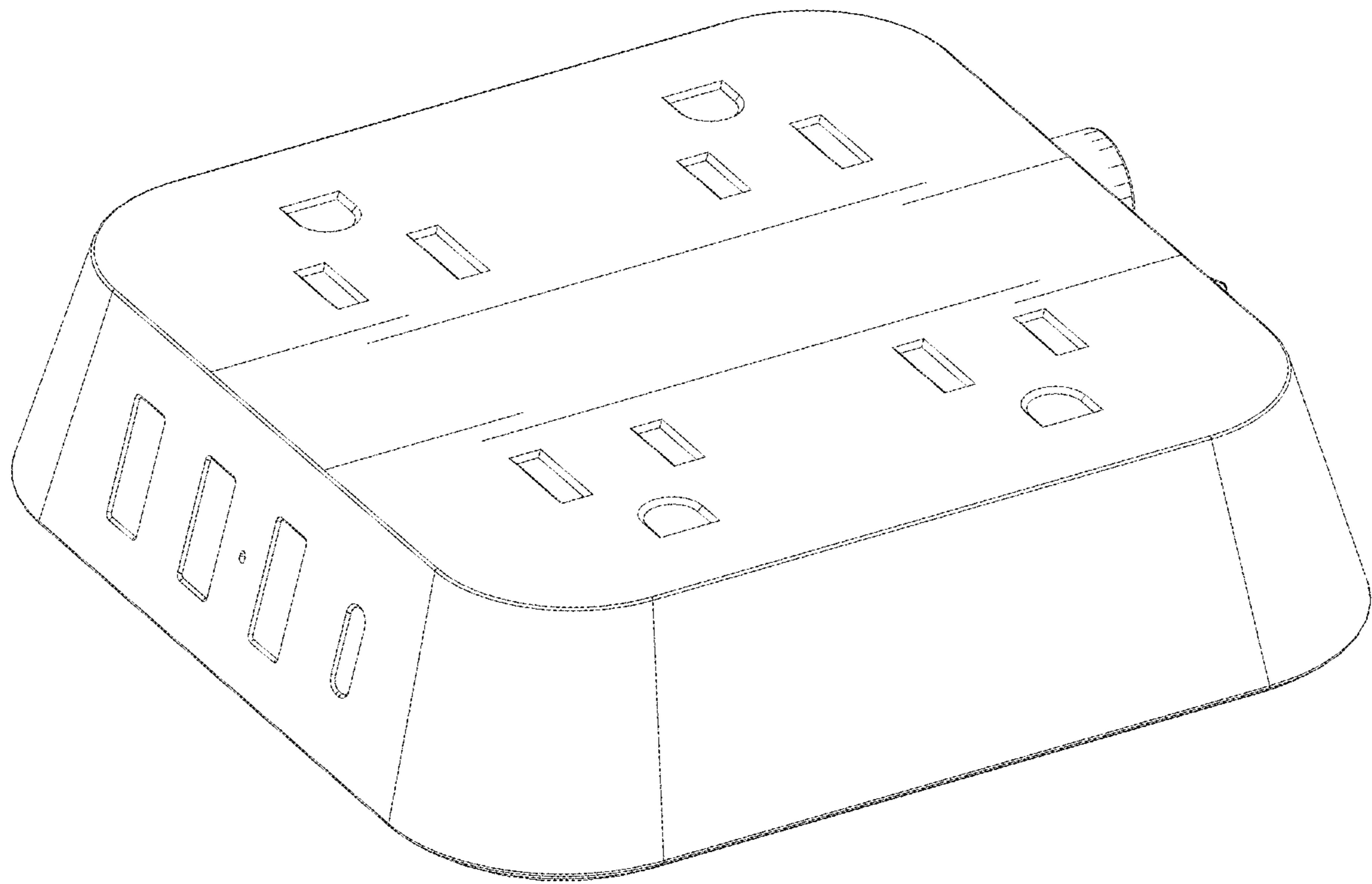


FIG. 7

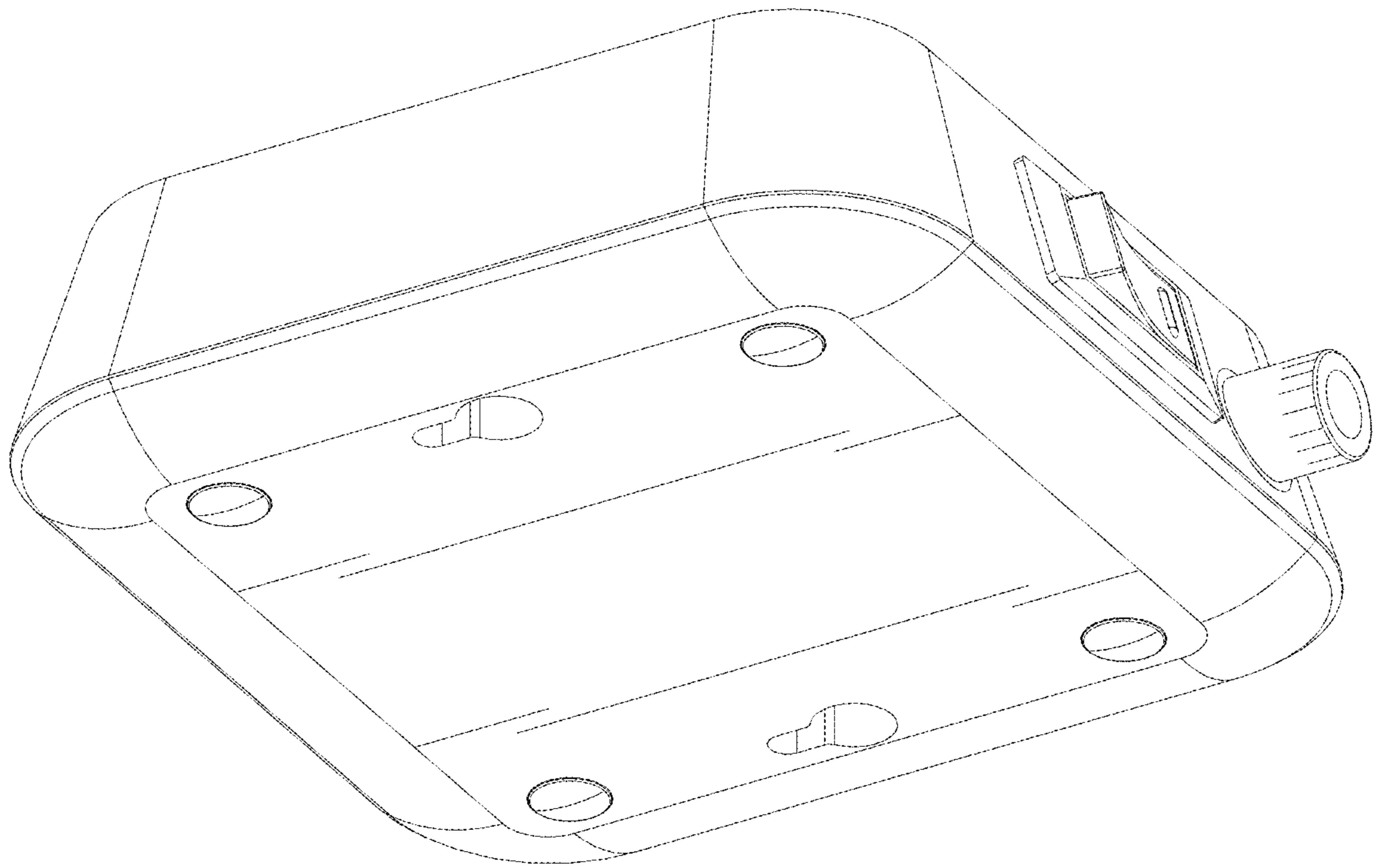


FIG.8