



US00D952566S

(12) **United States Design Patent**
Gong et al.

(10) **Patent No.:** **US D952,566 S**
(45) **Date of Patent:** **** May 24, 2022**

(54) **SMART PLUG**

(71) Applicant: **Shenzhen Intellirocks Tech. Co., Ltd,**
Shenzhen (CN)

(72) Inventors: **Cheng Gong,** Shenzhen (CN); **Qiuyu Chen,** Shenzhen (CN); **Wenlong Wu,** Shenzhen (CN)

(73) Assignee: **Shenzhen Intellirocks Tech. Co., Ltd,**
Shenzhen (CN)

(**) Term: **15 Years**

(21) Appl. No.: **29/719,505**

(22) Filed: **Jan. 6, 2020**

(51) **LOC (13) Cl.** **13-03**

(52) **U.S. Cl.**
USPC **D13/137.3**

(58) **Field of Classification Search**
USPC ... D13/110, 133, 137.1, 137.2, 137.3, 137.4,
D13/138.1, 138.2, 139.1, 139.2, 139.3,
D13/139.4, 139.5, 139.6, 139.7, 139.8,
D13/152, 199; D14/433; D8/350, 353
CPC H01R 35/04; H01R 2103/00; H01R 31/06;
H01R 31/005; H01R 2201/06; H01R
13/665; H01R 13/7135; H01R 13/652;
H01R 13/506; H01R 13/514; H01R
13/518; H01R 13/6272; H01R 13/46;
G06F 13/4022; G06F 13/382; G06F
1/1632; G06F 1/1684; G06F 1/20; G06F
1/1607; H02G 3/088; H02J 7/00043;
H02J 7/0021; H02J 7/0026; H02J 7/0027;
H02J 7/0045

See application file for complete search history.

(56) **References Cited**

U.S. PATENT DOCUMENTS

4,169,640 A * 10/1979 Lee H01R 4/14
439/104
4,174,874 A * 11/1979 Lee H01R 27/00
439/104

D741,266 S * 10/2015 Byrne D13/138.2
D826,858 S * 8/2018 Little D13/137.2
D826,859 S * 8/2018 Little D13/137.2
D836,555 S * 12/2018 Xu D13/137.2
D843,943 S * 3/2019 Yang D13/137.2
D845,900 S * 4/2019 Liu D13/137.2
D848,948 S * 5/2019 Wei D13/137.2

(Continued)

FOREIGN PATENT DOCUMENTS

GB 6035327 * 5/2018

OTHER PUBLICATIONS

“Smart Plug ESICOO—Plug A Certified Compatible with Alexa, Echo & Google Home—Only WiFi 2.4G”, first available Jun. 22, 2018. Amazon.com [https://www.amazon.com/dp/B07DYMS1L3] (Year: 2018).*

(Continued)

Primary Examiner — Rosemary K Tarcza

Assistant Examiner — Seth David Kumpf

(74) *Attorney, Agent, or Firm* — W&G Law Group

(57) **CLAIM**

The ornamental design for a smart plug, as shown and described.

DESCRIPTION

FIG. 1 is a first perspective view of a smart plug showing my new design;

FIG. 2 is a second perspective view of the smart plug showing my new design;

FIG. 3 is a front view thereof;

FIG. 4 is a rear view thereof;

FIG. 5 is a left view thereof;

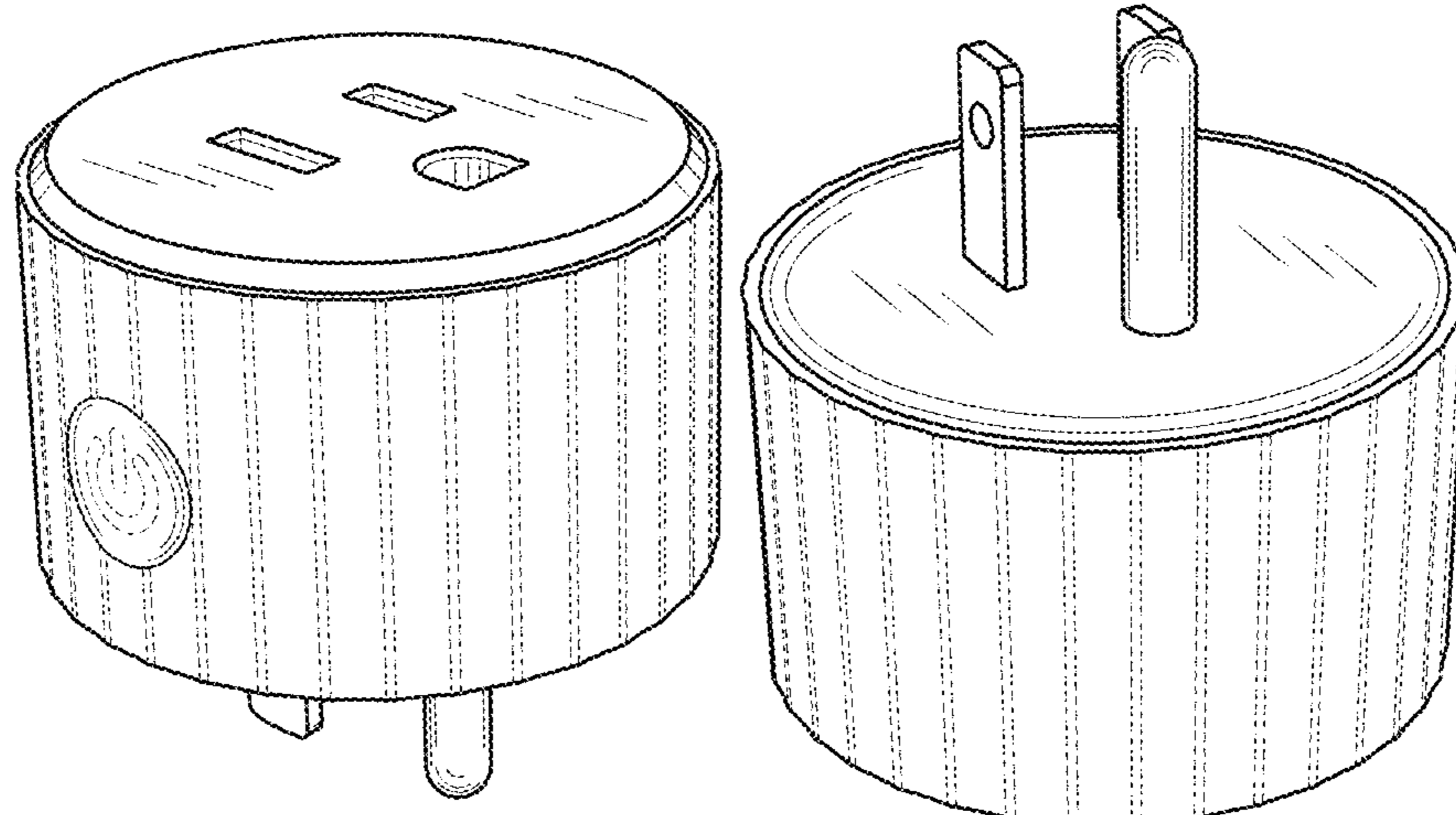
FIG. 6 is a right view thereof;

FIG. 7 is a top view thereof; and,

FIG. 8 is a bottom view thereof.

The broken lines in the drawings show portions of the smart plug which form no part of the claimed design.

1 Claim, 8 Drawing Sheets



(56)

References Cited

U.S. PATENT DOCUMENTS

D849,687 S * 5/2019 Dai D13/137.2
D851,597 S * 6/2019 Ding D13/137.2
D858,447 S * 9/2019 Chen D13/137.2
D861,613 S * 10/2019 Dai D13/137.2
D870,670 S * 12/2019 Little D13/137.2
D872,695 S * 1/2020 Bo D13/137.2
D874,403 S * 2/2020 Canizares D13/137.2
D879,044 S * 3/2020 Fan D13/137.2

OTHER PUBLICATIONS

“WiFi Smart Plug, Mini Smart Life Outlet Plugs That Work with Alexa Echo, Compatible with Google Home, Smart Home Devices, No Hub Required WiFi Mini Socket, Remote Control Your Devices from Anywhere”, first available May 5, 2019. Amazon.com [<https://www.amazon.com/YIZZ-Smart-plug/dp/B07SHBDJCW>] (Year: 2019).*

“Govee Smart Plug, WiFi Plugs Work with Alexa & Google Assistant, Smart Outlet with Timer & Group Controller, WiFi Outlet for Home, No Hub Required, ETL & FCC Certified, 2.4G WiFi Only, 4 Pack”, first available Nov. 2, 2020. Amazon.com [<https://www.amazon.com/Govee-WiFi-Outlet/dp/B08731J1L4>] (Year: 2020).*

“Smart WiFi Wall Plug”, first accessed Jun. 29, 2021. BazzSmartHome.com [<https://www.bazzsmarthome.com/collections/plugs-accessories/products/smart-wifi-wall-plug>] (Year: 2021).*

“US UK EU Tuya Home Wifi Smart Electrical Plug with Socket Customized Logo Brand Wall Socket Amazon Alexa Google Plug”, first accessed Jun. 29, 2021. Alibaba.com [https://www.alibaba.com/product-detail/US-UK-EU-Tuya-Home-Wifi_1600231982926.html] (Year: 2021).*

* cited by examiner

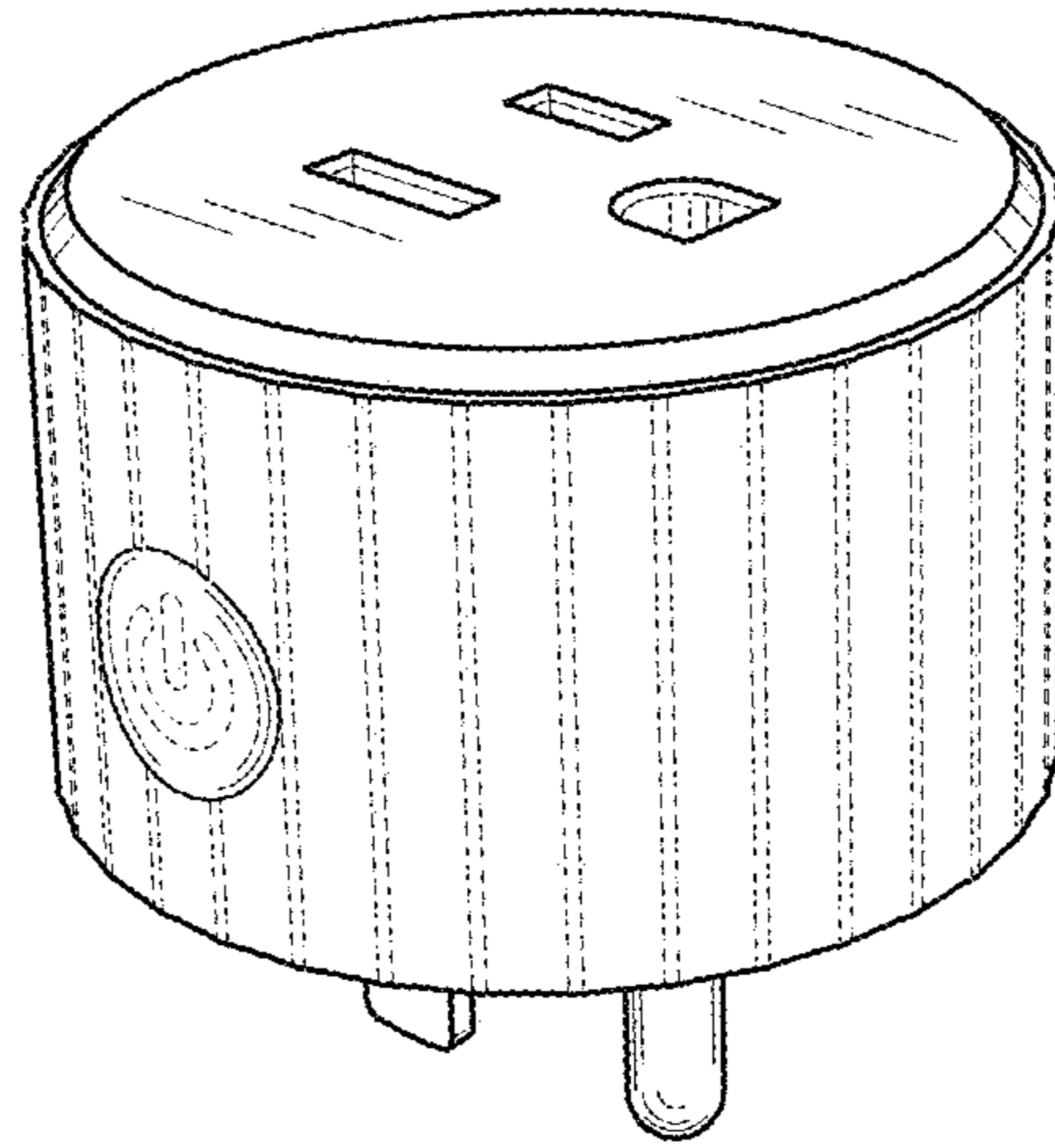


FIG. 1

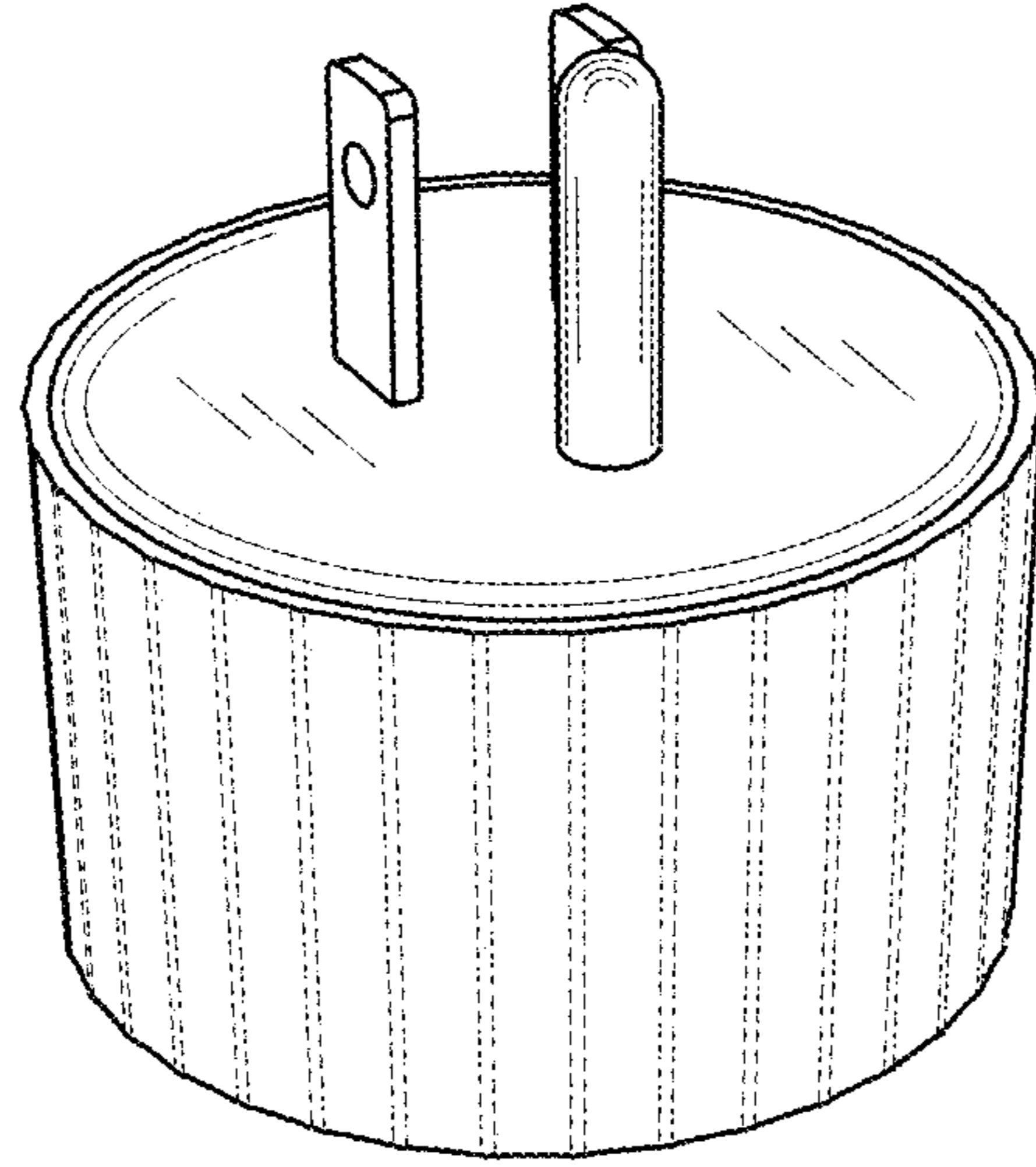


FIG. 2

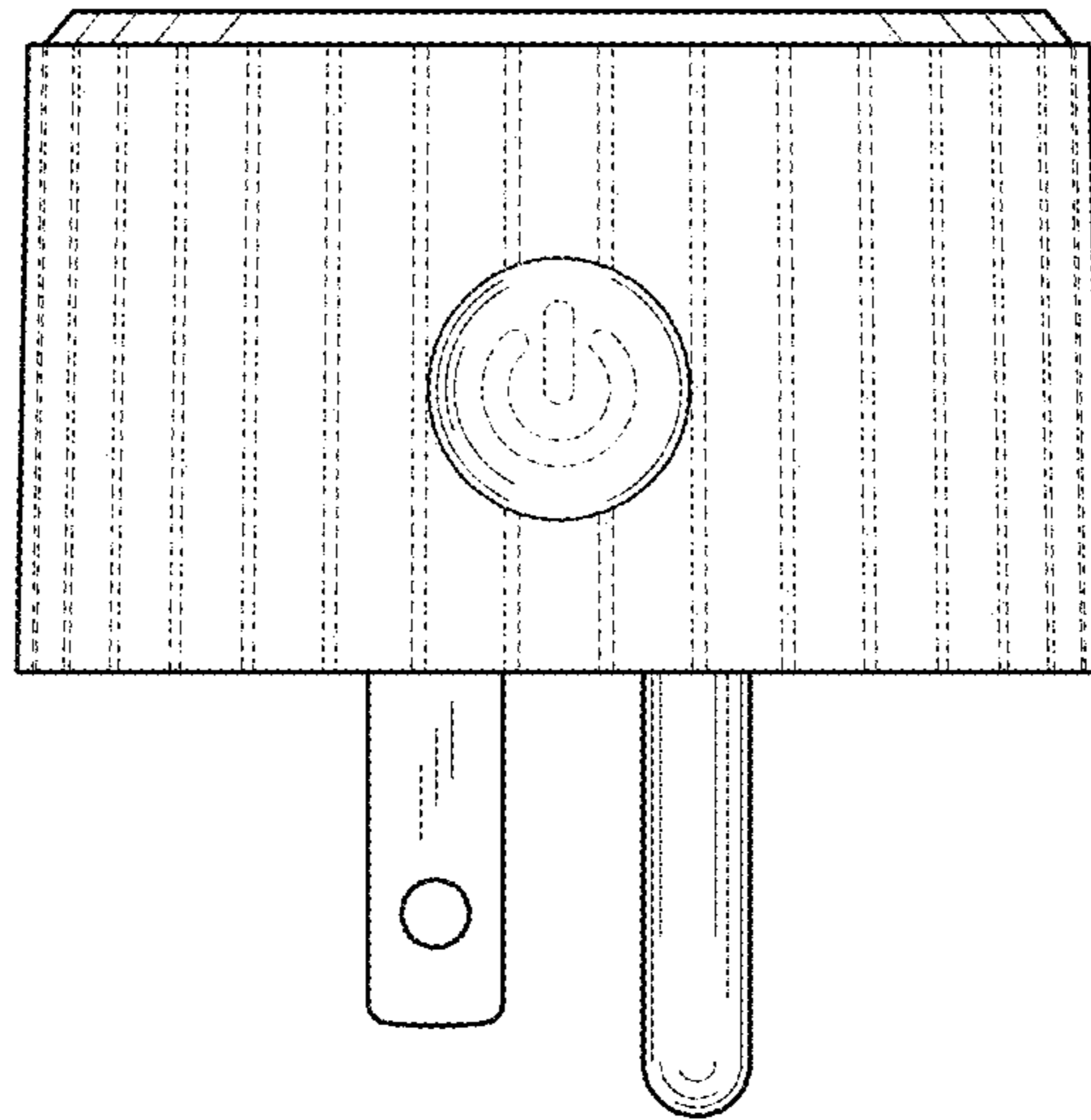


FIG. 3

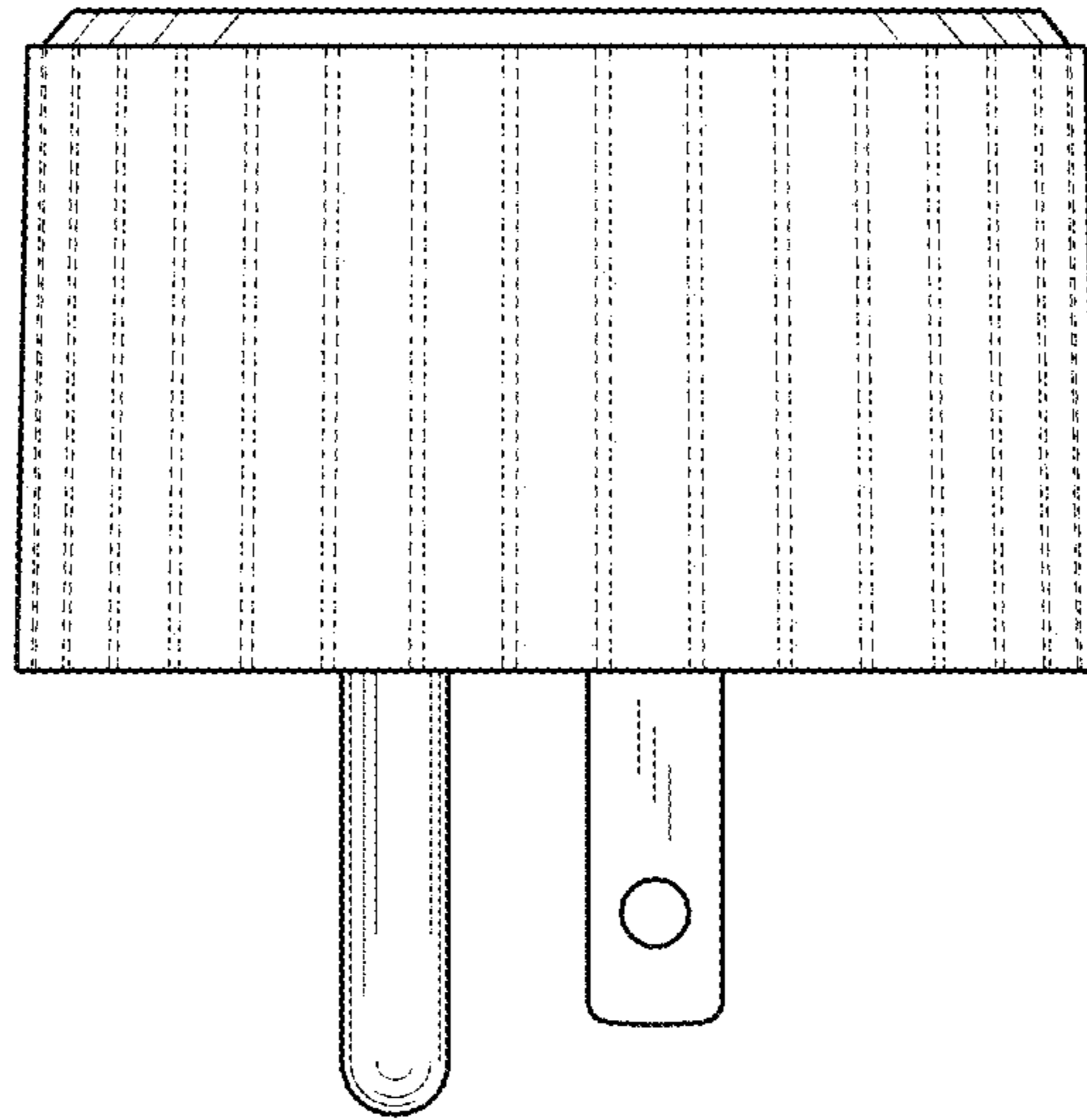


FIG. 4

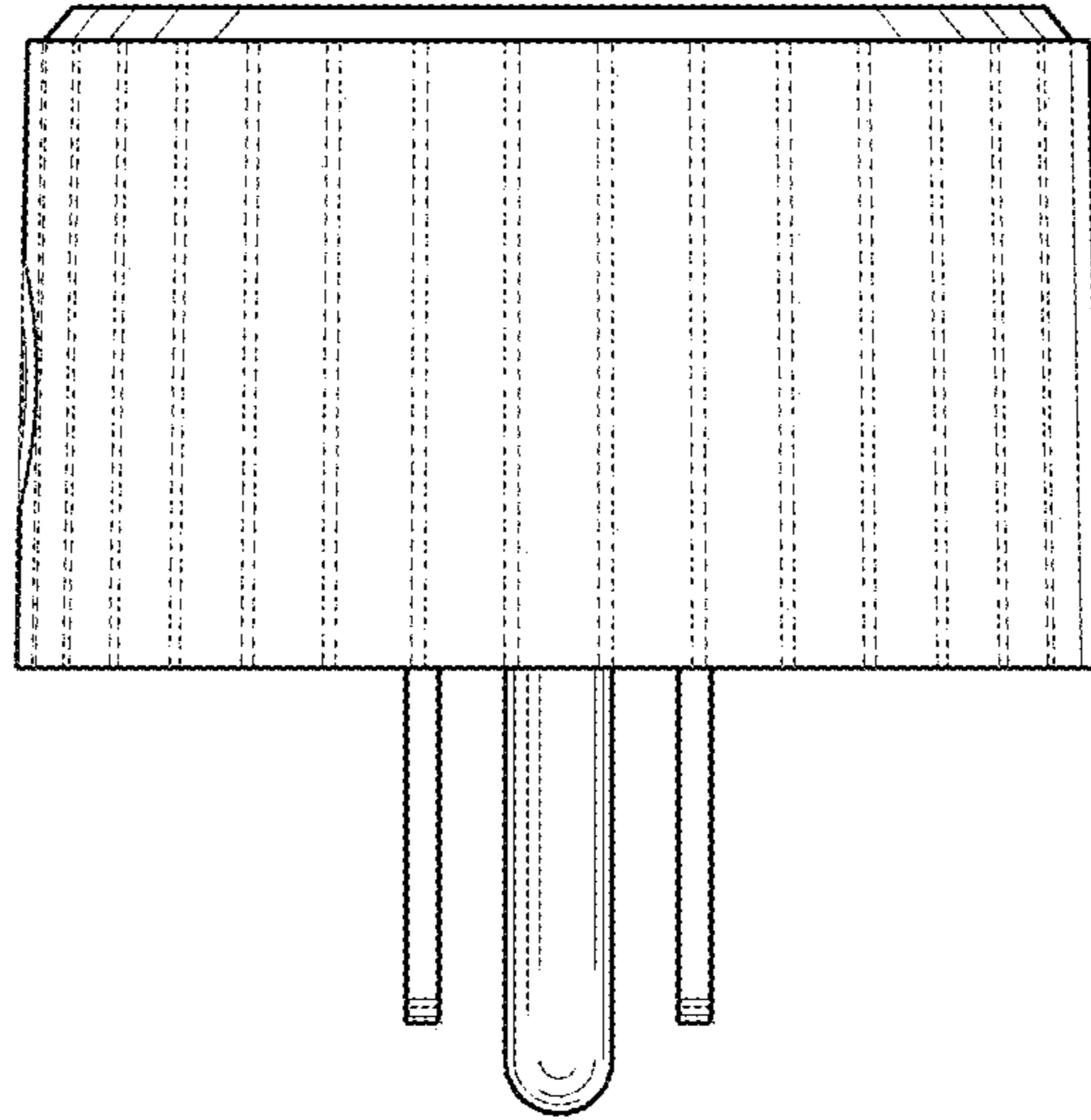


FIG. 5

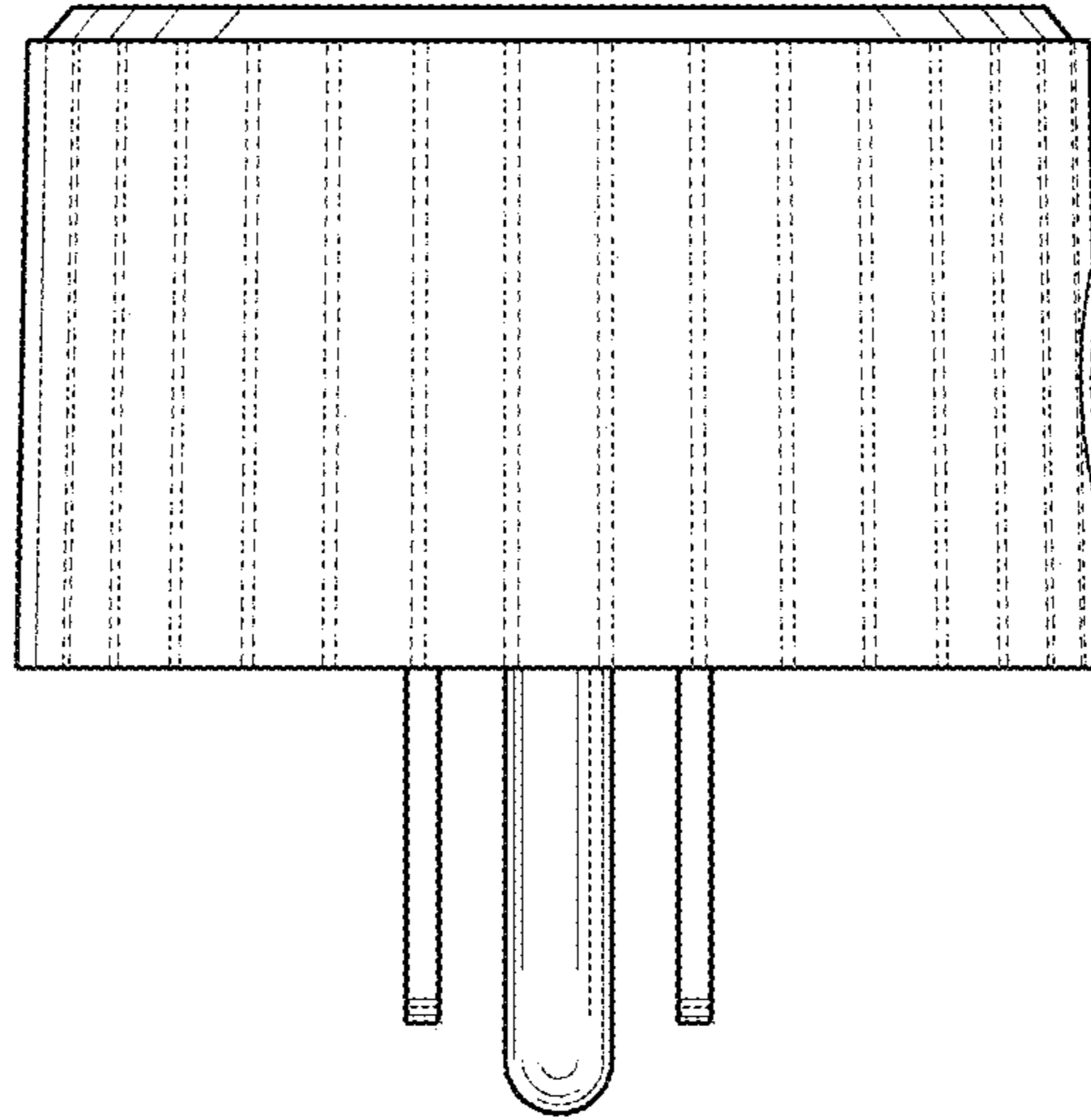


FIG. 6

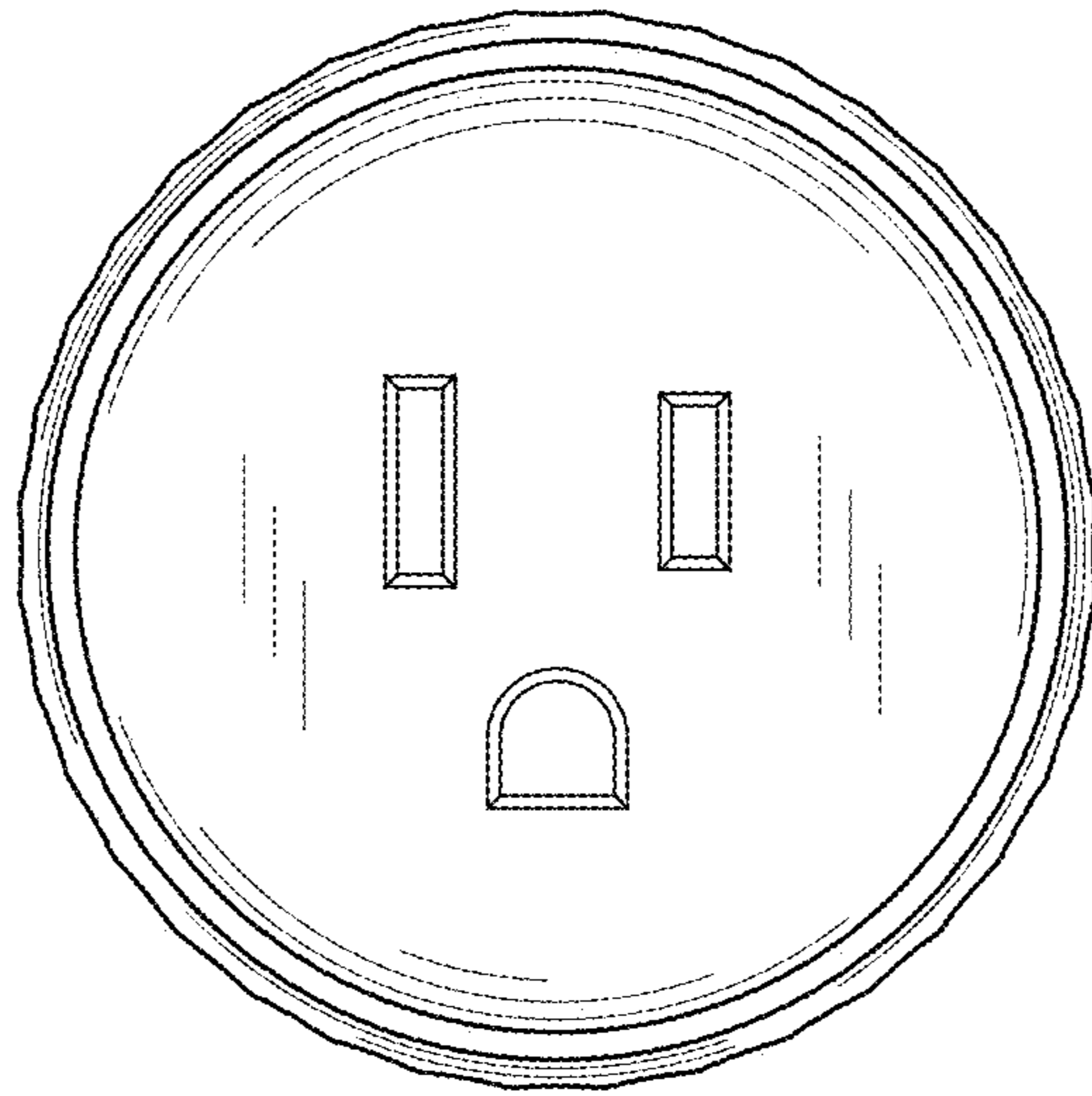


FIG. 7

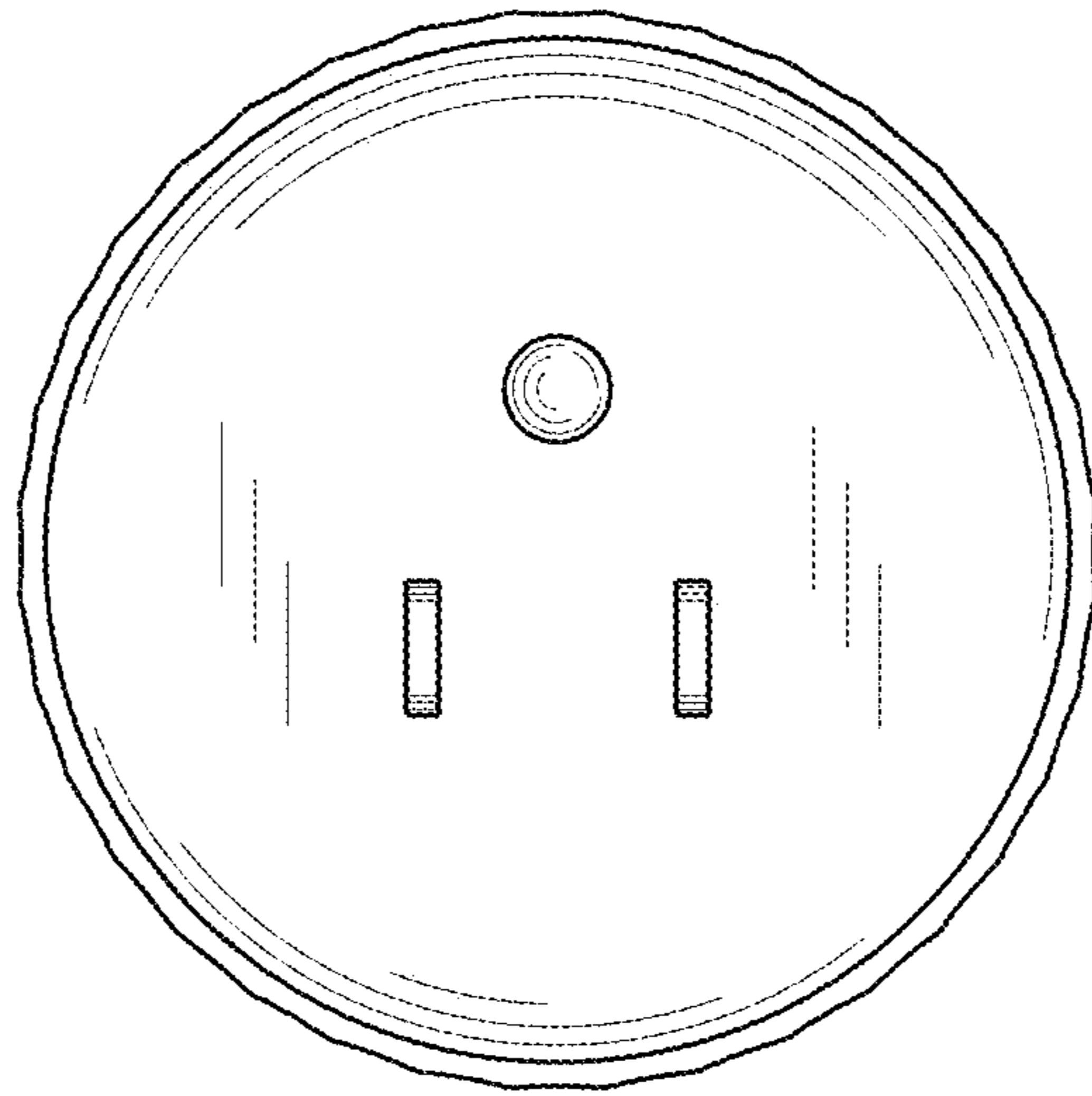


FIG. 8