

US00D952565S

(12) **United States Design Patent**
Oosaka

(10) **Patent No.:** **US D952,565 S**

(45) **Date of Patent:** **** May 24, 2022**

(54) **CONNECTOR**

(71) Applicant: **Japan Aviation Electronics Industry, Limited**, Tokyo (JP)

(72) Inventor: **Junji Oosaka**, Tokyo (JP)

(73) Assignee: **JAPAN AVIATION ELECTRONICS INDUSTRY, LIMITED**, Tokyo (JP)

(**) Term: **15 Years**

(21) Appl. No.: **29/748,407**

(22) Filed: **Aug. 28, 2020**

(30) **Foreign Application Priority Data**

Mar. 10, 2020 (JP) 2020-004775 D

(51) **LOC (13) Cl.** **13-03**

(52) **U.S. Cl.**
USPC **D13/133**

(58) **Field of Classification Search**

USPC D13/107, 110, 118, 120, 123, 133,
D13/146-147, 149, 154, 184, 199

CPC H01R 13/113; H01R 13/426; H01R
13/6594; H01R 12/716

See application file for complete search history.

(56) **References Cited**

U.S. PATENT DOCUMENTS

D696,201 S *	12/2013	Takenaga	D13/147
D737,213 S *	8/2015	Yoshioka	D13/147
D743,905 S *	11/2015	Kobuchi	D13/147
D745,463 S *	12/2015	Kobuchi	D13/147
D878,301 S *	3/2020	Yamada	D13/147
D885,347 S *	5/2020	Ishida	D13/147

10,673,159 B2 *	6/2020	Ishida	H01R 12/716
10,847,917 B2 *	11/2020	Ishida	H01R 13/426
D908,635 S *	1/2021	Takenaga	D13/147
D908,636 S *	1/2021	Takenaga	D13/147
D917,399 S *	4/2021	Yanase	D13/146
2020/0412039 A1 *	12/2020	Chen	H01R 13/113
2021/0005990 A1 *	1/2021	Zhang	H01R 13/6594

* cited by examiner

Primary Examiner — Shawn T Gingrich

Assistant Examiner — Bryan N. Melvin

(74) *Attorney, Agent, or Firm* — Manabu Kanesaka

(57) **CLAIM**

The ornamental design for a connector, as shown and described.

DESCRIPTION

FIG. 1 is a front elevational view of a connector showing my new design;

FIG. 2 is a rear elevational view thereof;

FIG. 3 is a right side elevational view thereof;

FIG. 4 is a left side elevational view thereof;

FIG. 5 is a top plan view thereof;

FIG. 6 is a bottom plan view thereof;

FIG. 7 is a perspective view showing a front, top and right side thereof;

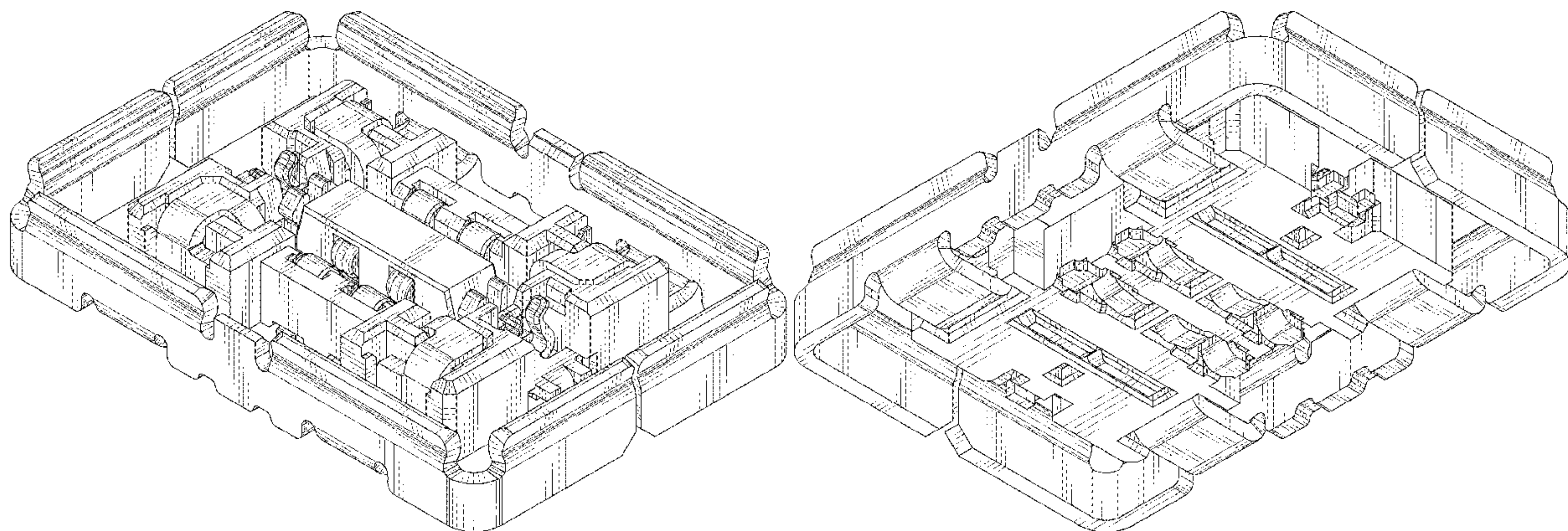
FIG. 8 is a perspective view showing a rear, bottom and left side thereof;

FIG. 9 is a perspective view showing a front, right and bottom side thereof; and,

FIG. 10 is a perspective view showing a rear, left and top side thereof.

The broken line showing of the connector is for the purpose of illustrating portions of the article and forms no part of the claimed design.

1 Claim, 5 Drawing Sheets



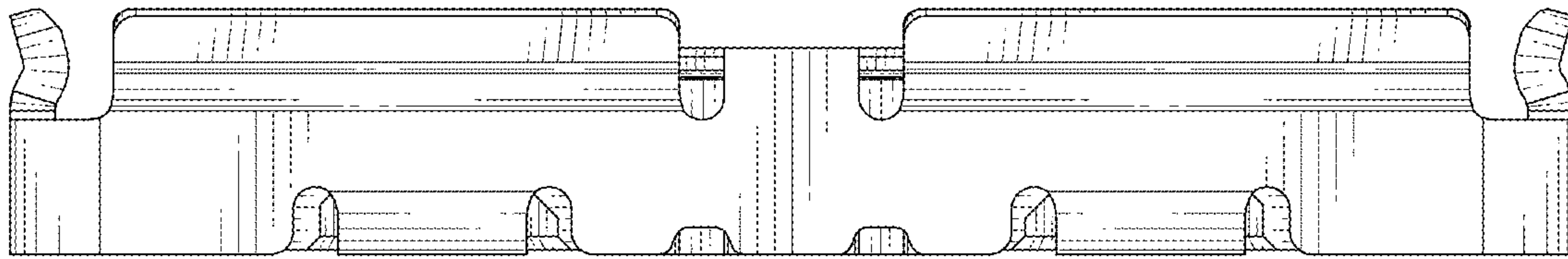


FIG. 1

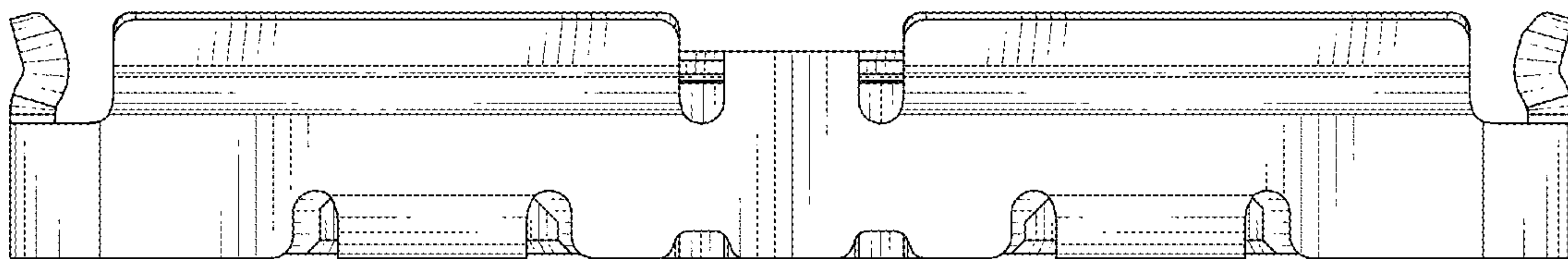


FIG. 2

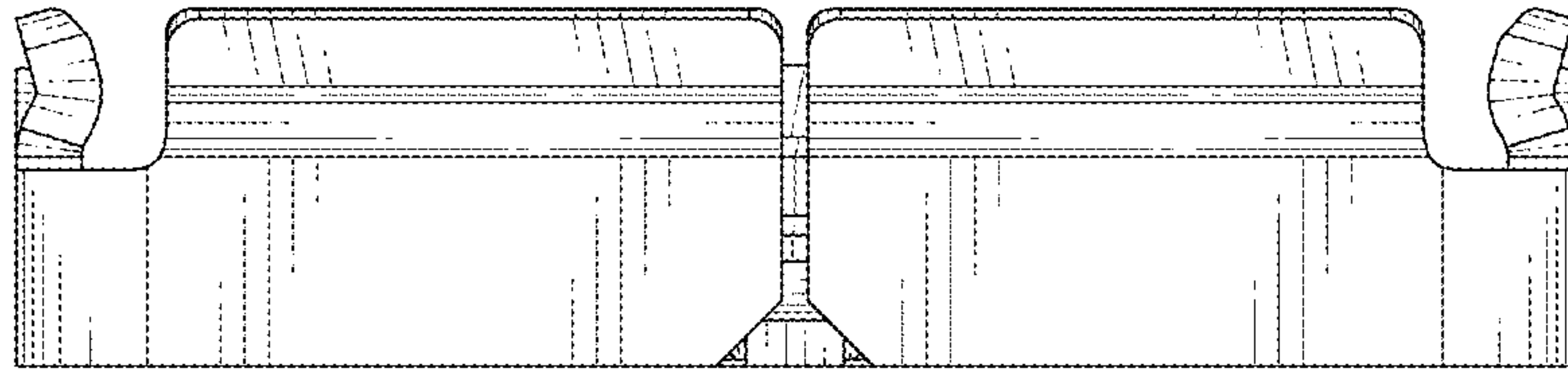


FIG. 3

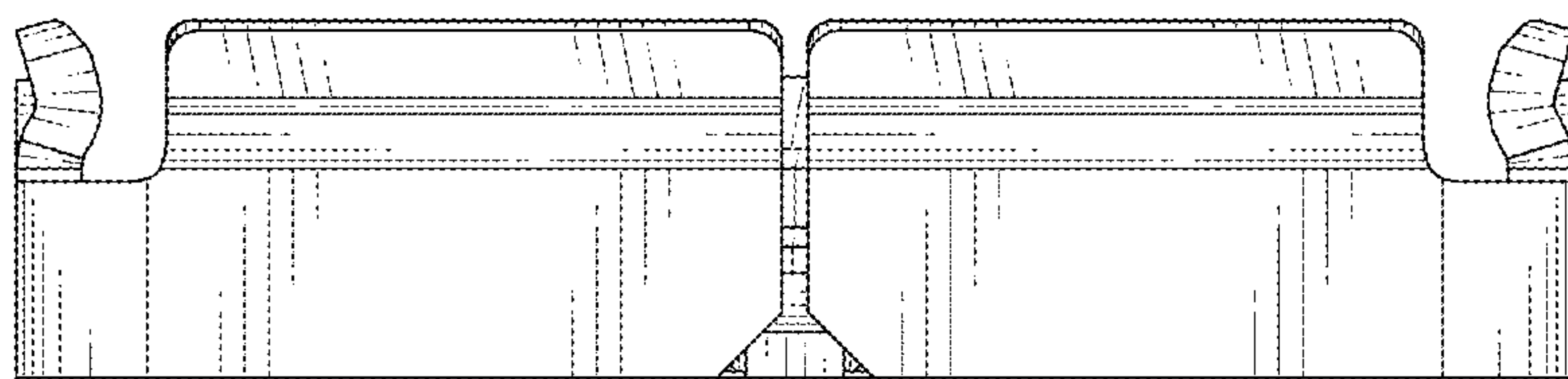


FIG. 4

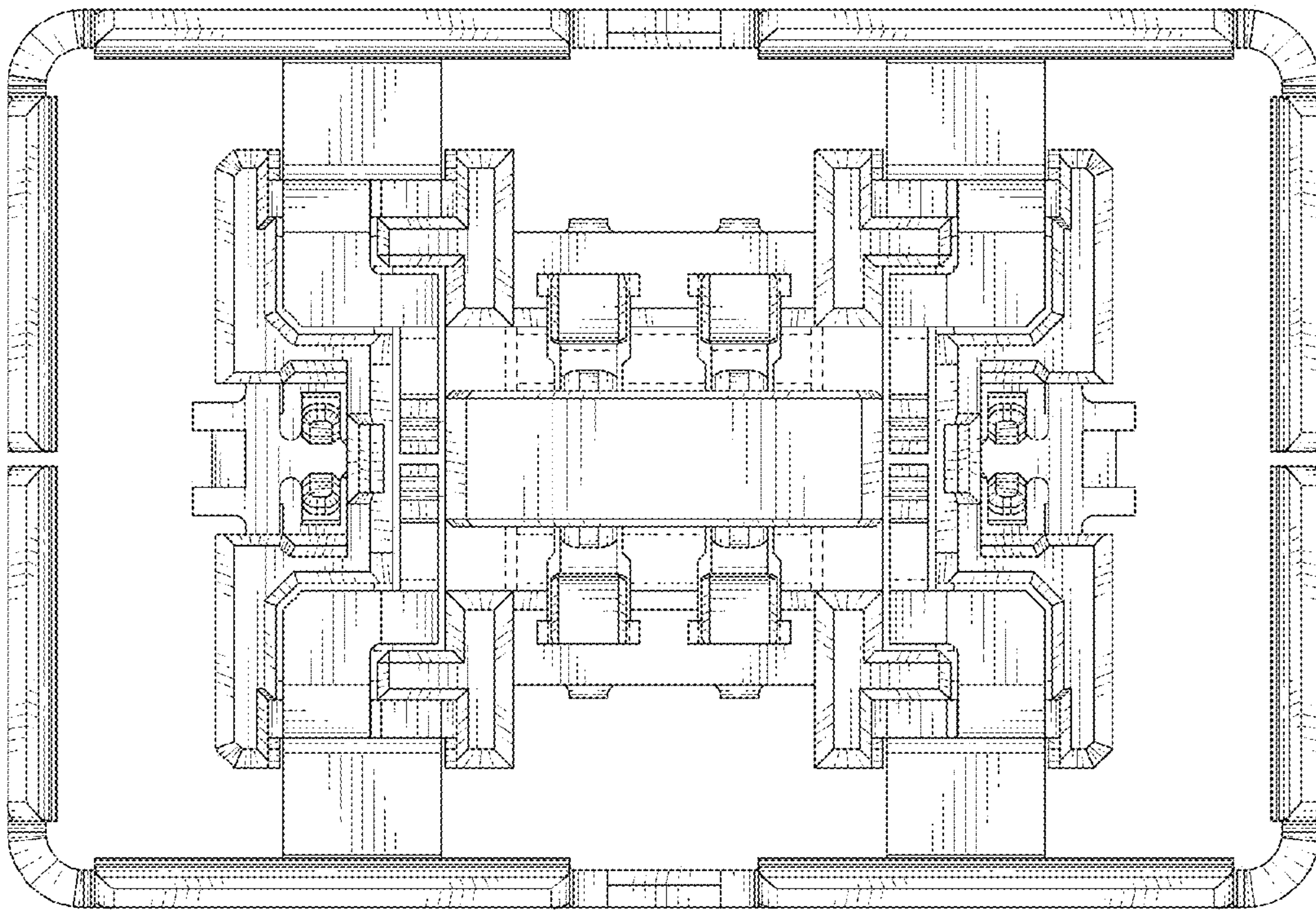


FIG. 5

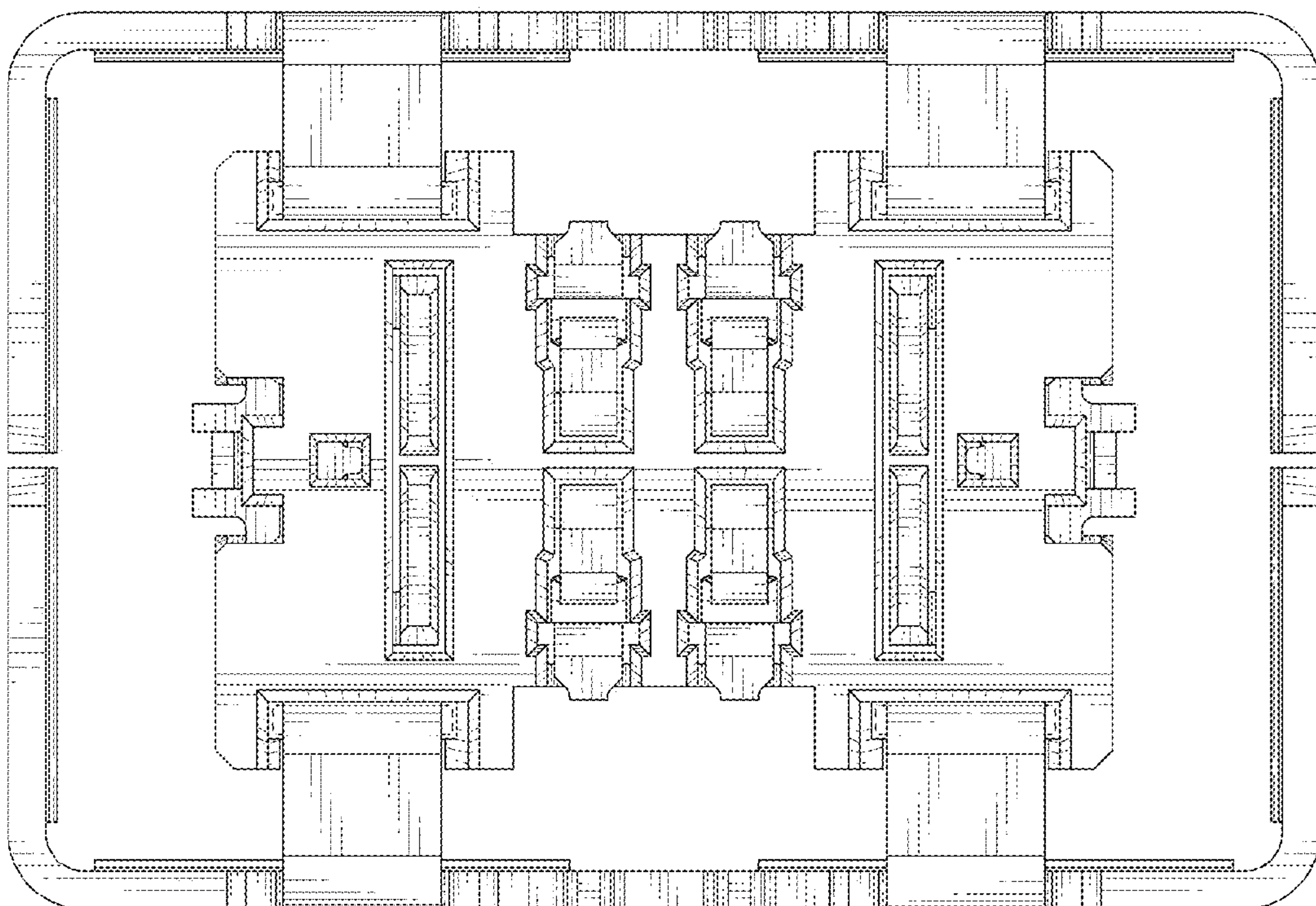


FIG. 6

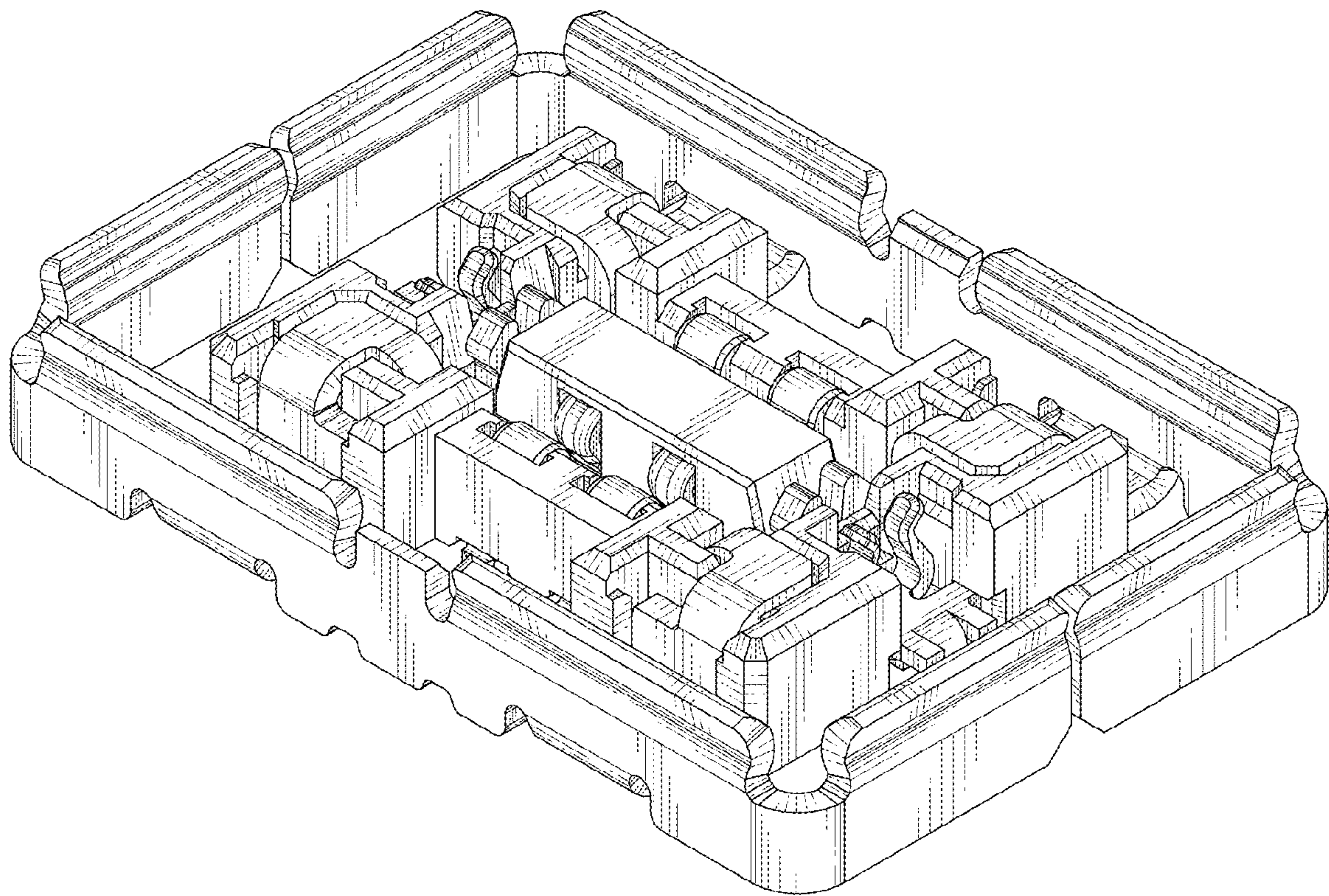


FIG. 7

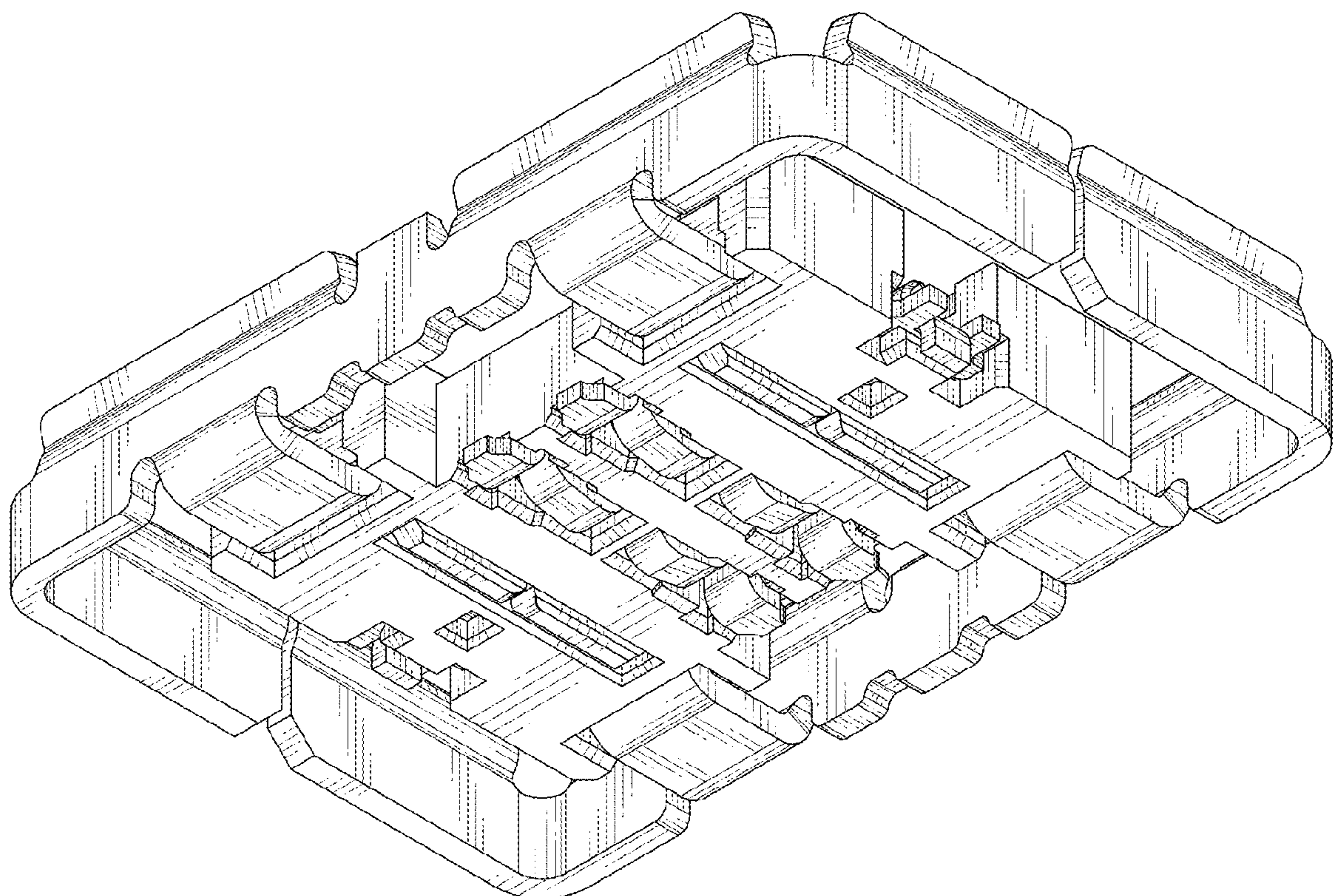


FIG. 8

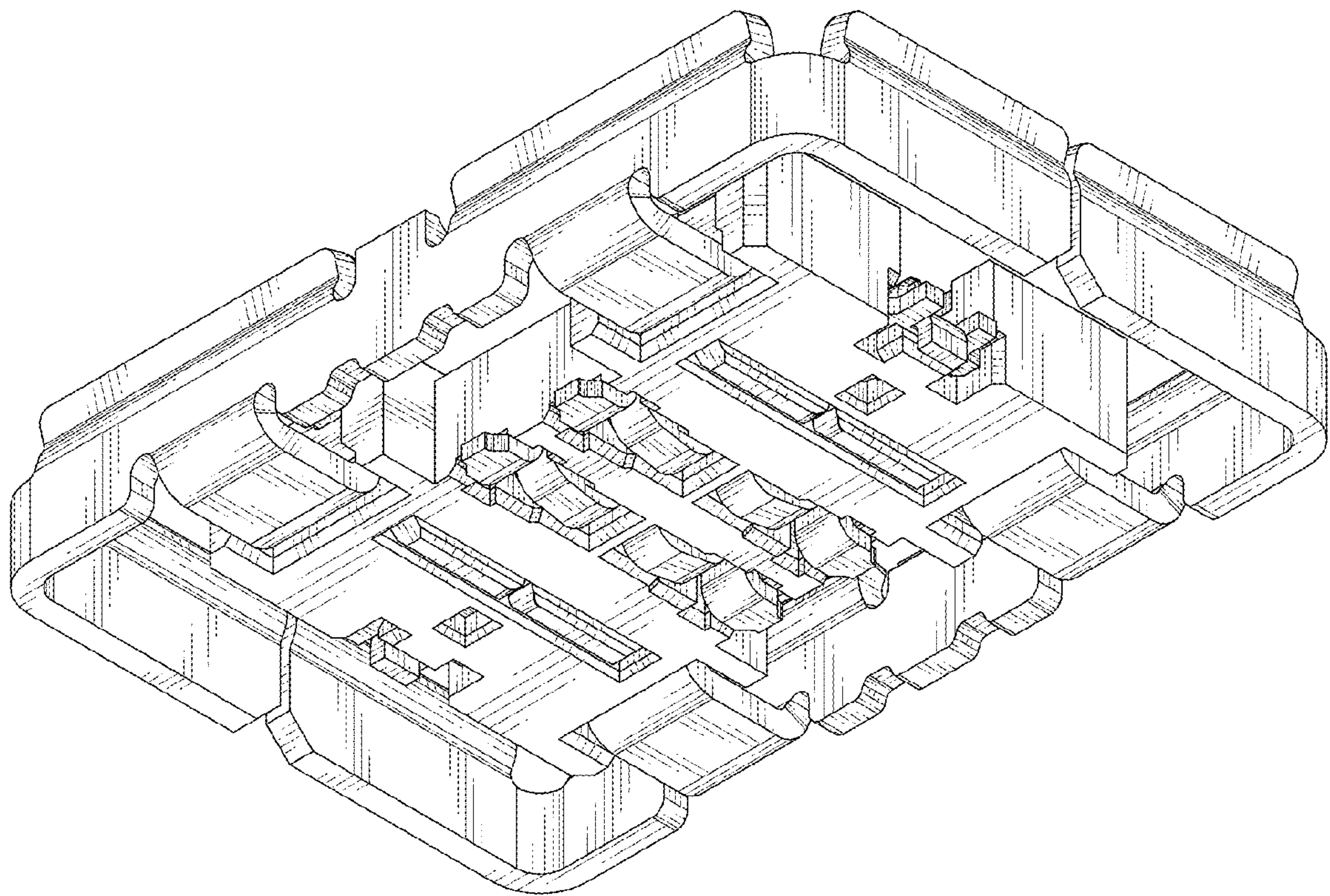


FIG. 9

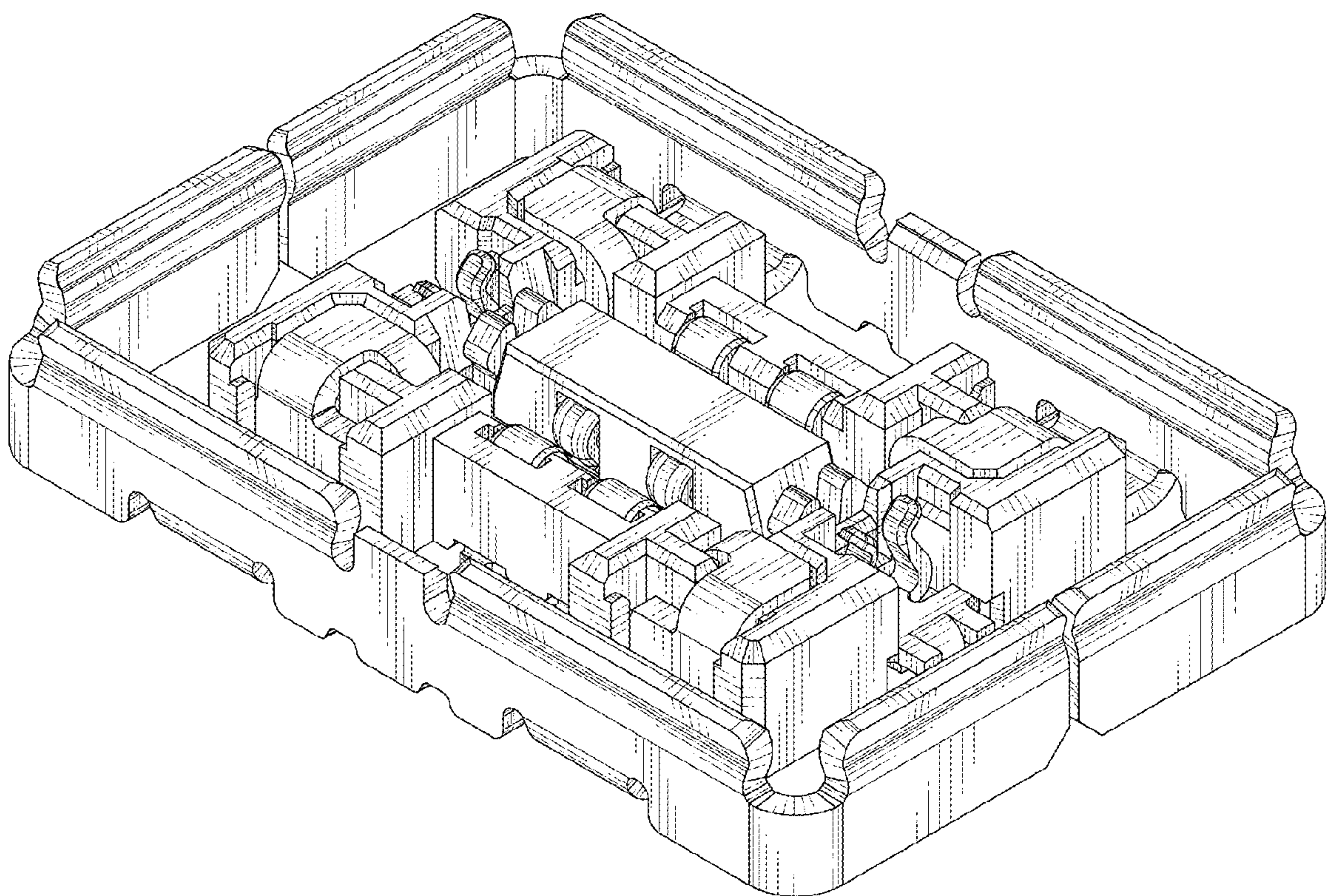


FIG. 10