



US00D952561S

(12) **United States Design Patent**
Huang et al.

(10) **Patent No.:** **US D952,561 S**
(45) **Date of Patent:** **** May 24, 2022**

(54) **DOUBLE BUTTON POWER SUPPLY**

(71) Applicant: **Changzhou Jutai Electronic Co., Ltd.**,
Jiangsu (CN)

(72) Inventors: **Wei Huang**, Changzhou (CN);
Chengqian Pan, Changzhou (CN); **Bin**
Chen, Changzhou (CN)

(73) Assignee: **CHANGZHOU JUTAI**
ELECTRONIC CO., LTD.,
Changzhou (CN)

(**) Term: **15 Years**

(21) Appl. No.: **29/765,579**

(22) Filed: **Jan. 9, 2021**

(51) **LOC (13) Cl.** **13-02**

(52) **U.S. Cl.**
USPC **D13/110**

(58) **Field of Classification Search**

USPC ... D13/110, 103, 107, 108, 118, 123, 137.1,
D13/137.2, 137.4, 138.1, 147, 162, 168,
D13/169, 174, 177, 184, 199; D14/240,
D14/242, 257, 356, 357, 432, 433, 438,
D14/480.1, 480.3
CPC H05K 5/00; H05K 5/02; H05K 5/0247;
H05K 7/00; H05K 7/20; H05K 7/20136;
H05K 7/20154; H05K 7/209; H02M 7/00;
H02M 7/003; H02M 2001/009; H02J
7/0042; Y10T 307/367; Y02E 60/12;
Y02E 60/50; H01M 2/02; H01M 2/025;
H01M 2/0207; H01M 2/0212; H01M
10/44; H01R 13/60; H01R 13/72; H01R
13/6658; H01R

(Continued)

(56) **References Cited**

U.S. PATENT DOCUMENTS

D350,113 S * 8/1994 Nagele D13/110
D383,115 S * 9/1997 Nagele D13/110

(Continued)

Primary Examiner — Derrick E Holland

(74) *Attorney, Agent, or Firm* — Dragon Sun Law Firm,
PC; Jinggao Li, Esq.

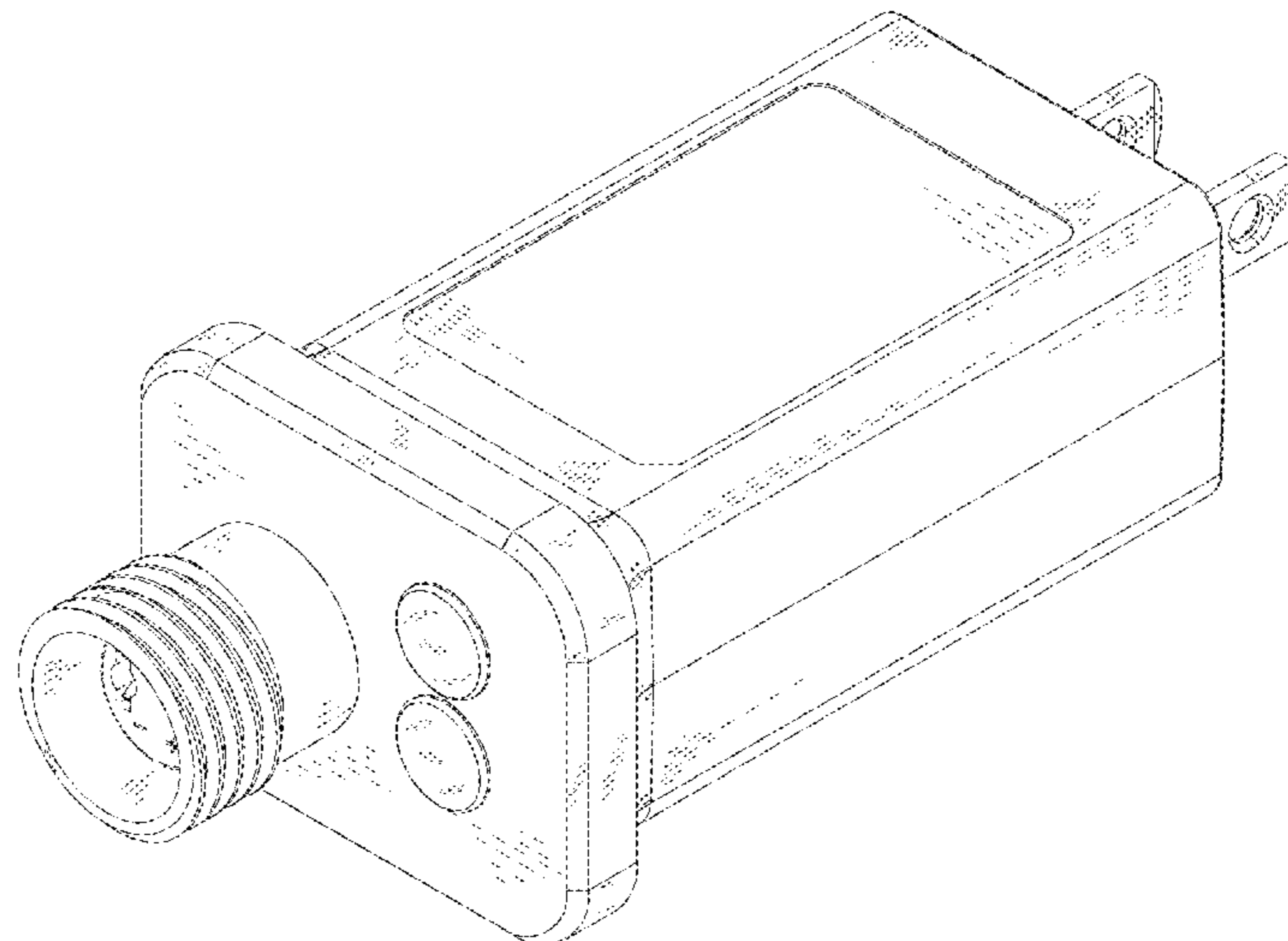
(57) **CLAIM**

The ornamental design for a double button power supply, as
shown and described.

DESCRIPTION

FIG. 1 is a perspective view of a double button power
supply, showing an embodiment of my new design;
FIG. 2 is another perspective view of FIG. 1, from a different
direction for clarity of illustration;
FIG. 3 is a front elevation view of FIG. 1;
FIG. 4 is a rear elevation view of FIG. 1;
FIG. 5 is a left side elevation view of FIG. 1;
FIG. 6 is a right side elevation view of FIG. 1;
FIG. 7 is a top plan view of FIG. 1;
FIG. 8 is a bottom plan view of FIG. 1;
FIG. 9 is a perspective view of a double button power
supply, showing another embodiment of my new design;
FIG. 10 is another perspective view of FIG. 9, from a
different direction for clarity of illustration;
FIG. 11 is a front elevation view of FIG. 9;
FIG. 12 is a rear elevation view of FIG. 9;
FIG. 13 is a left side elevation view of FIG. 9;
FIG. 14 is a right side elevation view of FIG. 9;
FIG. 15 a top plan view of FIG. 9;
FIG. 16 is a bottom plan view of FIG. 9;
FIG. 17 is a perspective view of a double button power
supply, showing another embodiment my new design;
FIG. 18 is another perspective view of FIG. 17, from a
different direction for clarity of illustration;
FIG. 19 is a front elevation view of FIG. 17;
FIG. 20 is a rear elevation view of FIG. 17;
FIG. 21 is a left side elevation view of FIG. 17;
FIG. 22 is a right side elevation view of FIG. 17;
FIG. 23 is a top plan view of FIG. 17; and,
FIG. 24 is a bottom plan view of FIG. 17.

1 Claim, 24 Drawing Sheets



(58) **Field of Classification Search**

CPC 25/003; H01R 25/006; G06F 3/023; G06F
3/038; G06F 3/0626; G06F 3/0658; G06F
9/4413

See application file for complete search history.

(56) **References Cited**

U.S. PATENT DOCUMENTS

5,684,689 A * 11/1997 Hahn H01R 13/6675
363/146
6,086,395 A * 7/2000 Lloyd H01R 27/00
363/146
D463,366 S * 9/2002 MacKay D13/138.1
D484,853 S * 1/2004 Alviar D13/110
D652,381 S * 1/2012 Tien D13/110
D667,787 S 9/2012 Druker et al.
8,471,523 B2 * 6/2013 Lin H01M 10/46
320/107
D694,183 S 11/2013 Matsuoka et al.
D702,182 S * 4/2014 Druker D13/110
D741,796 S * 10/2015 Robinson D13/108
RE46,006 E * 5/2016 Uekihara D13/110
D780,689 S * 3/2017 Inskeep D13/107
D904,301 S 12/2020 Smalley et al.
2009/0289596 A1 * 11/2009 McGinley H01R 31/065
320/111

* cited by examiner

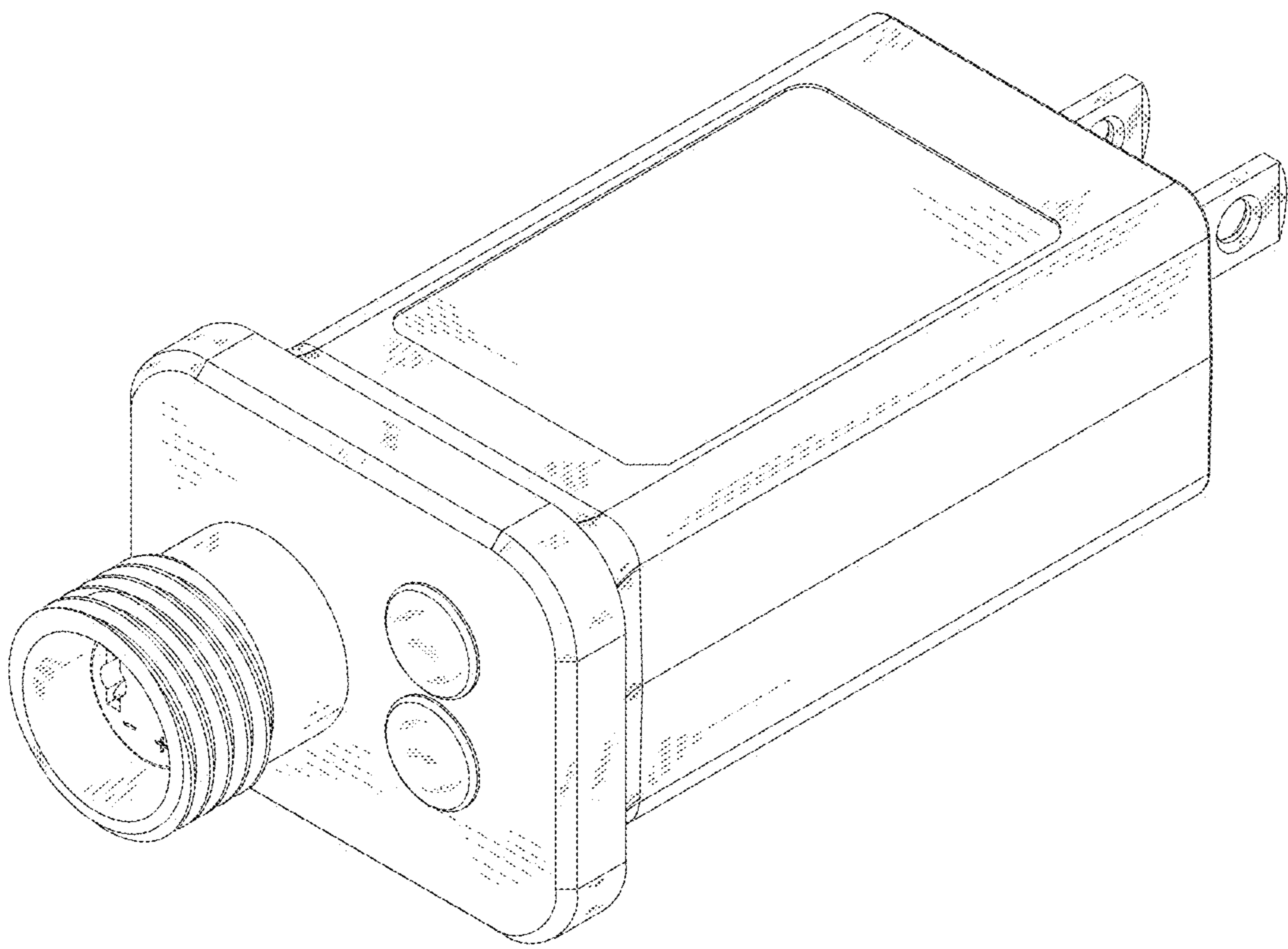


FIG. 1

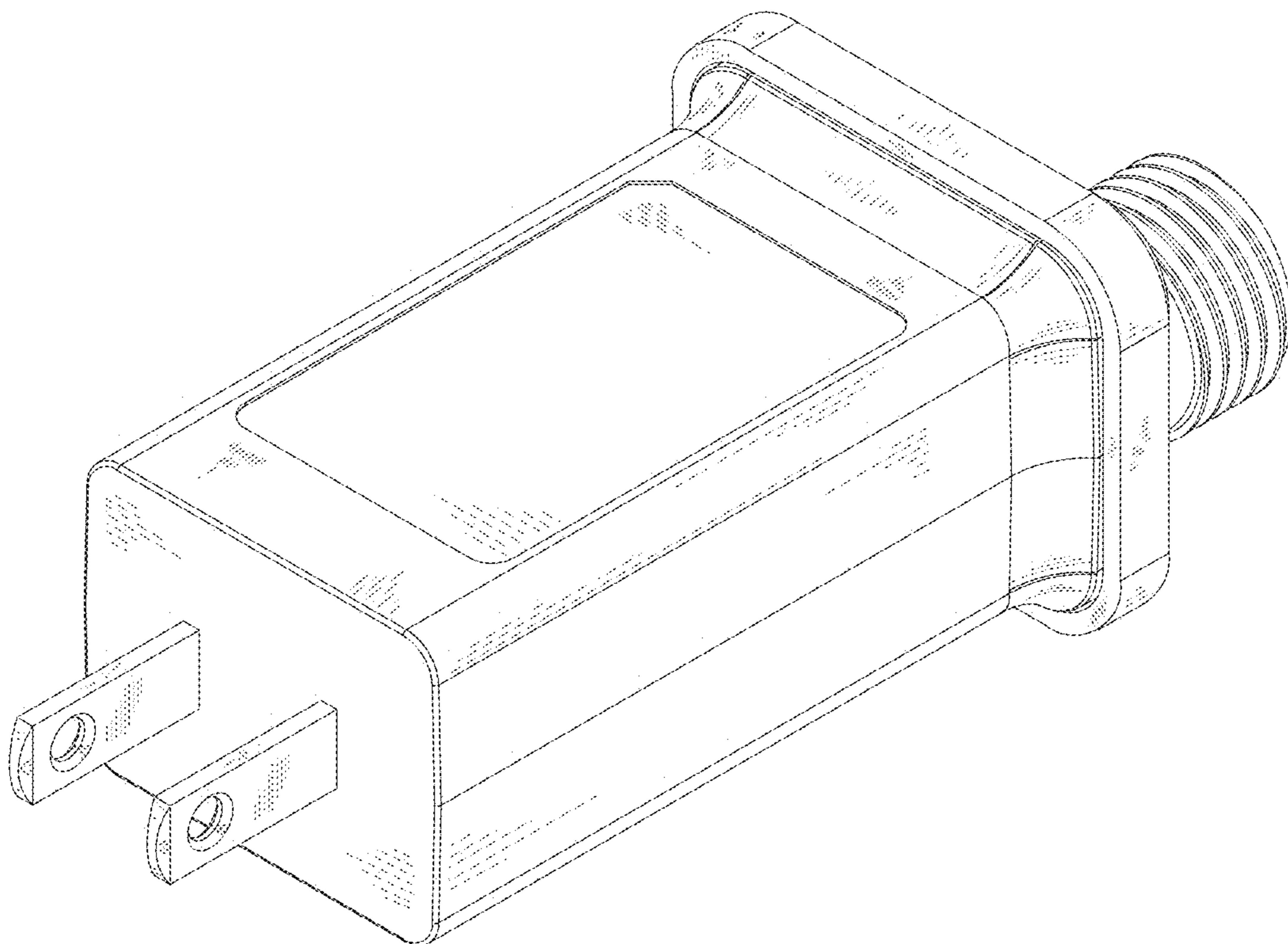


FIG. 2

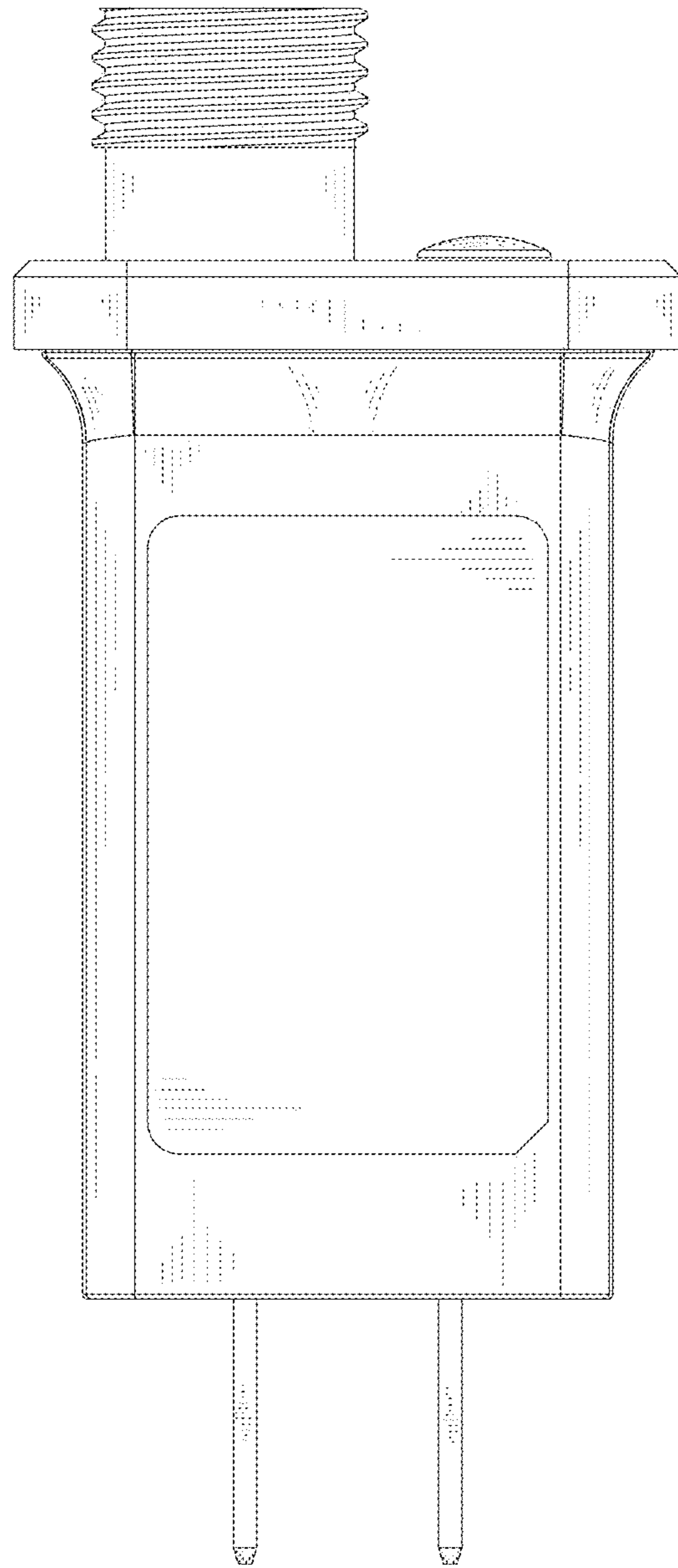


FIG. 3

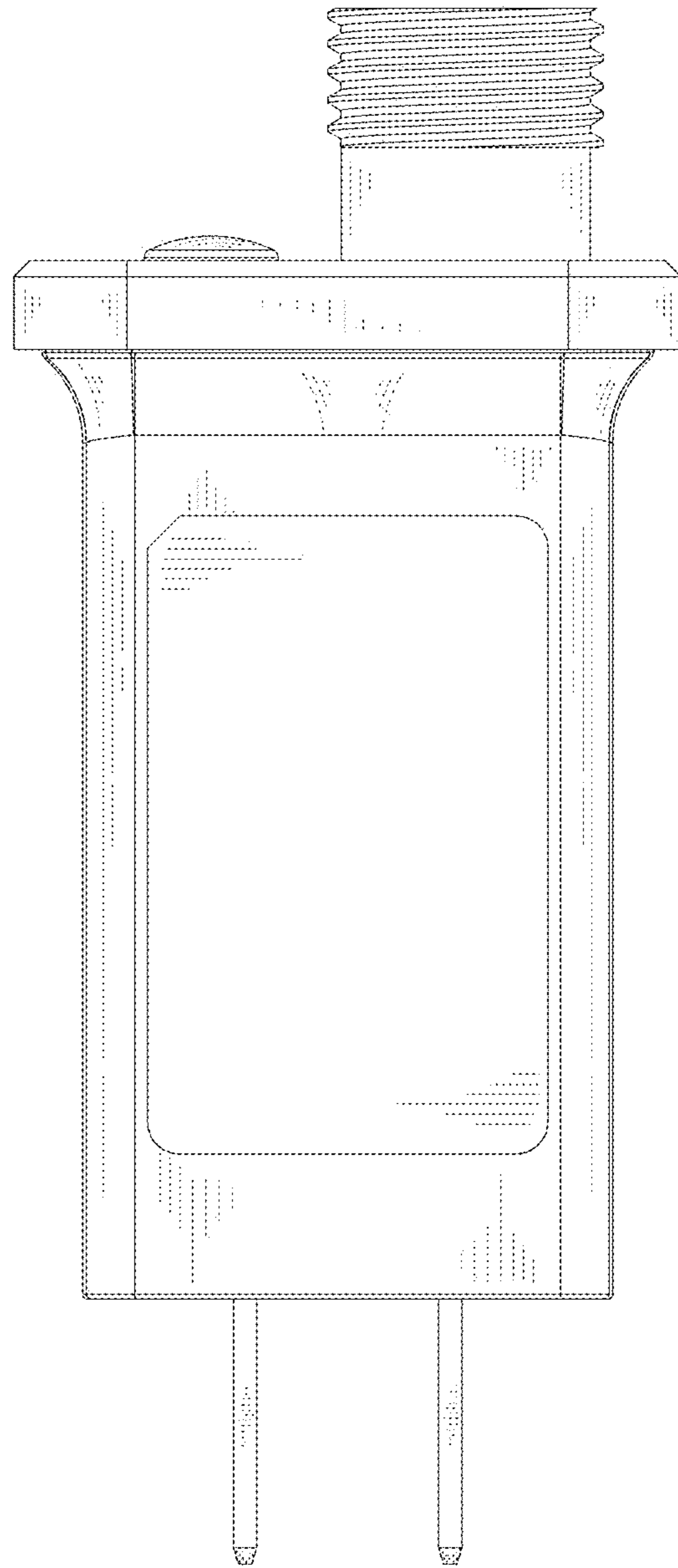


FIG. 4

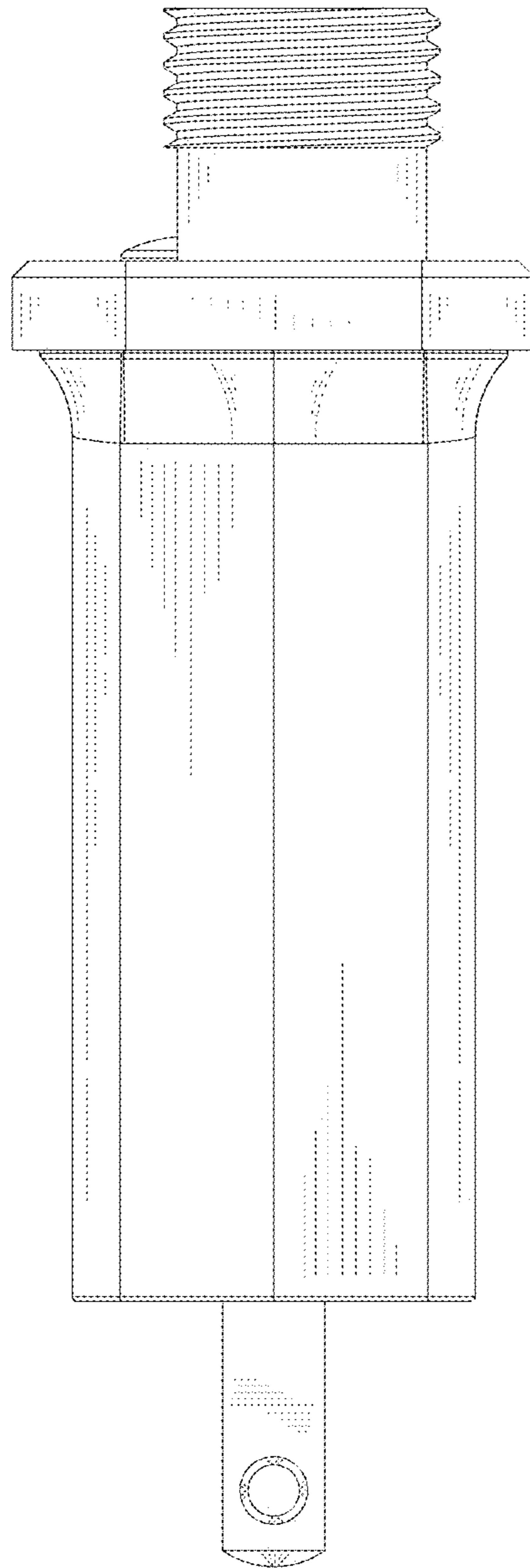


FIG. 5

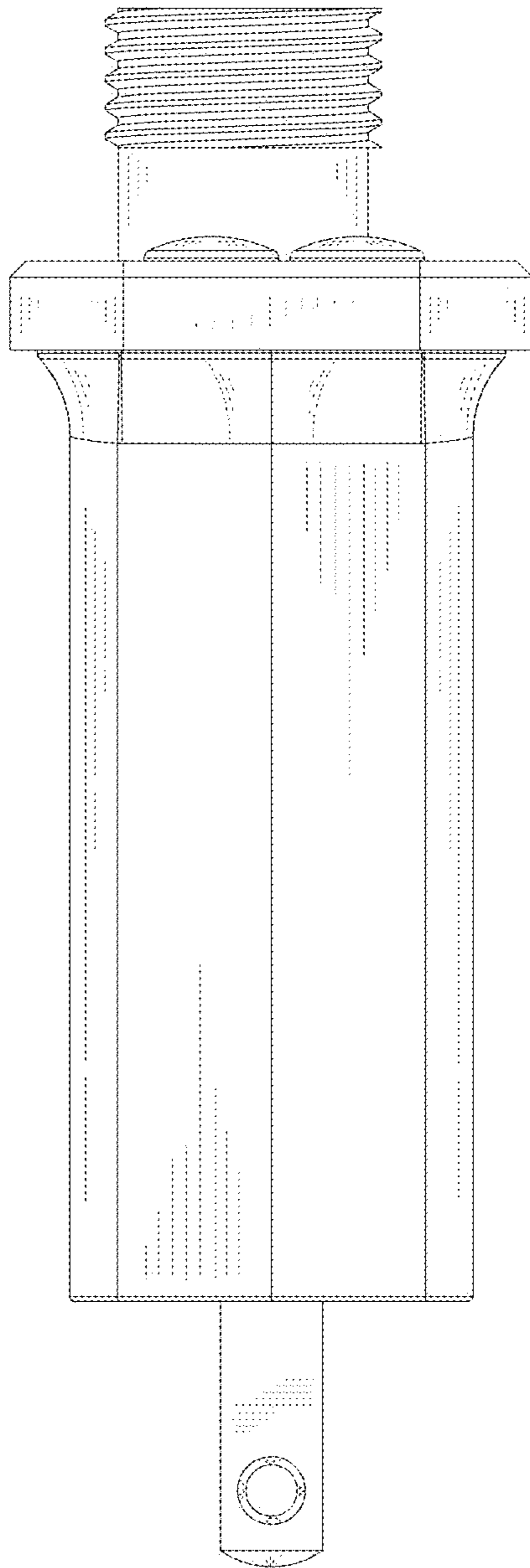


FIG. 6

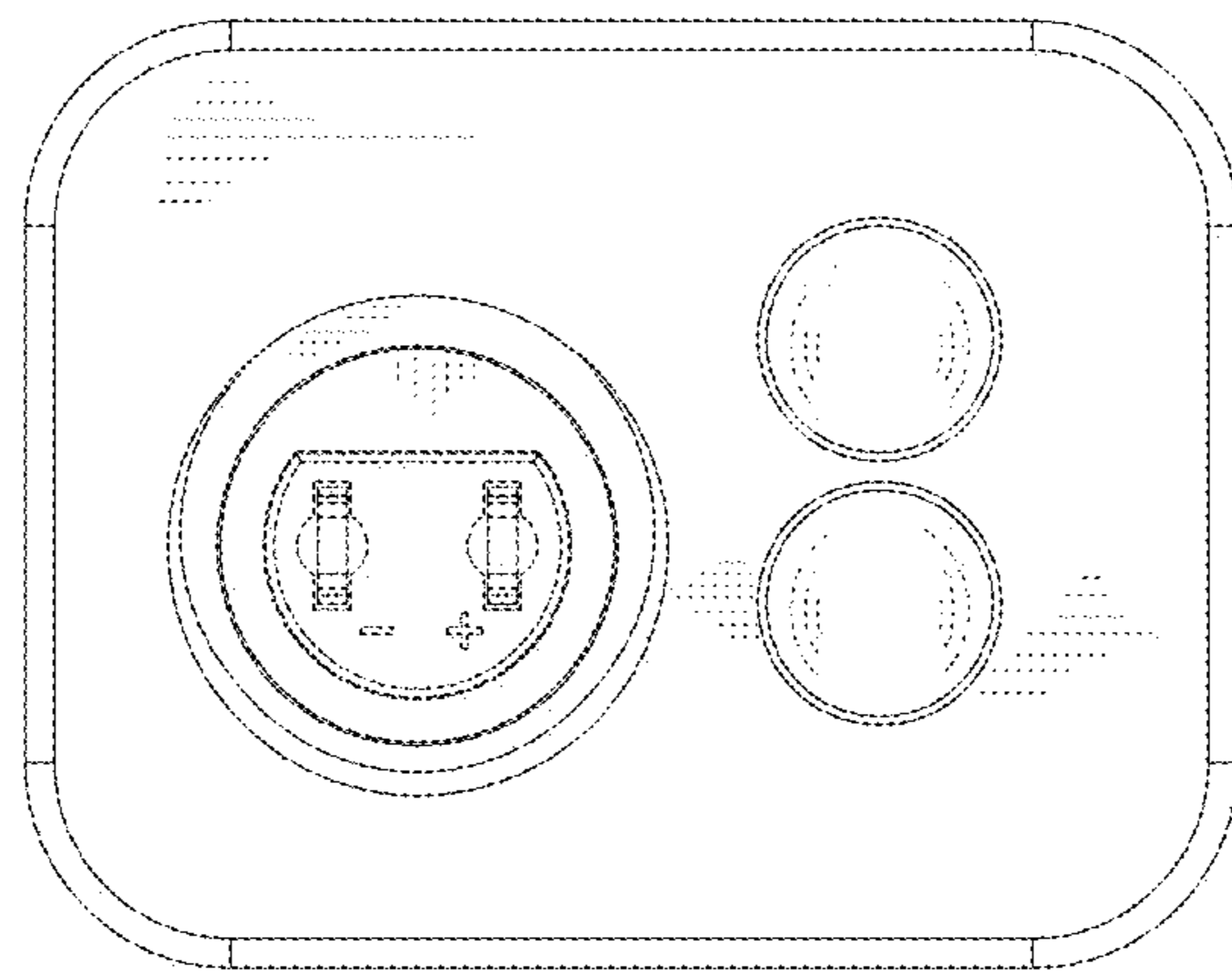


FIG. 7

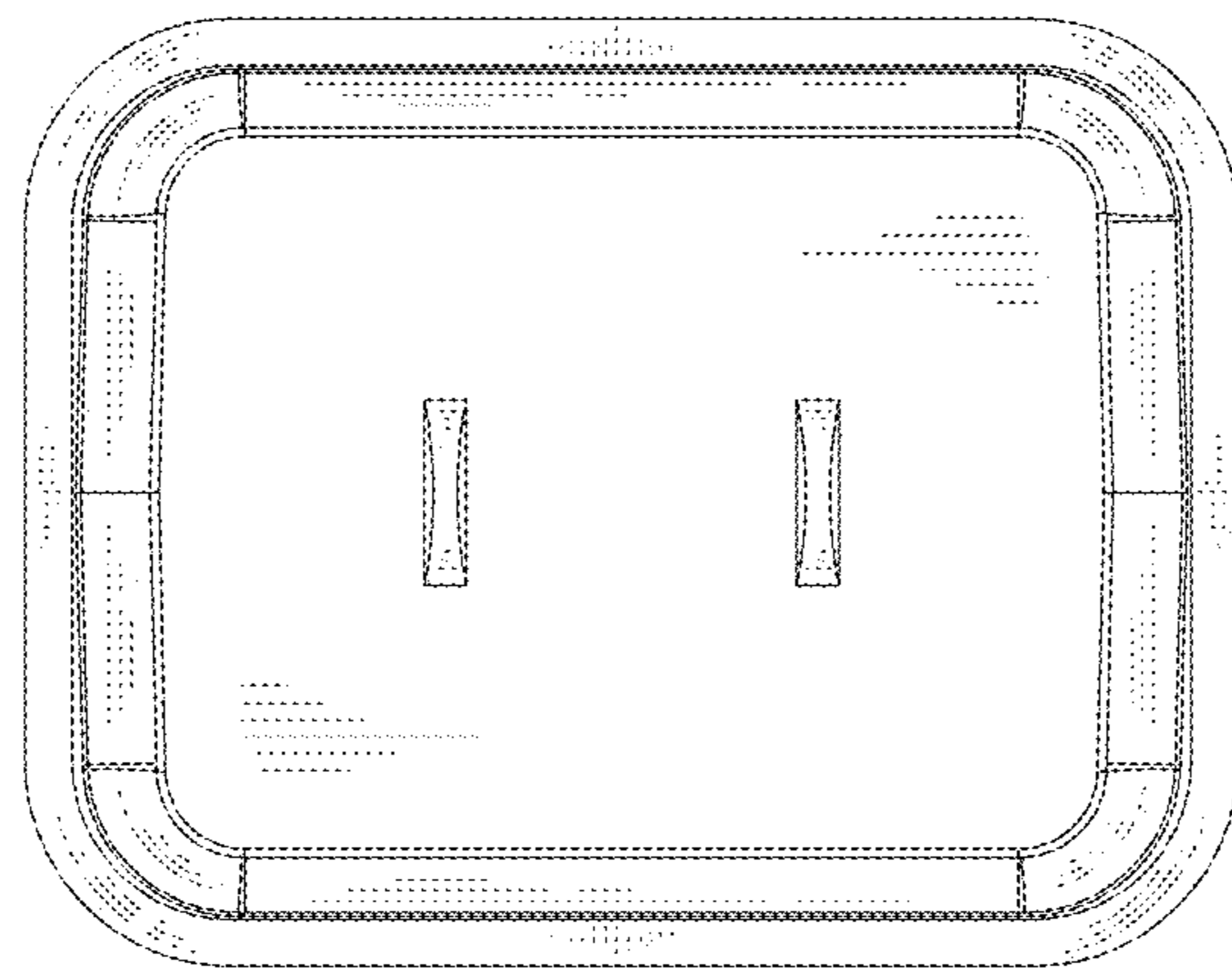


FIG. 8

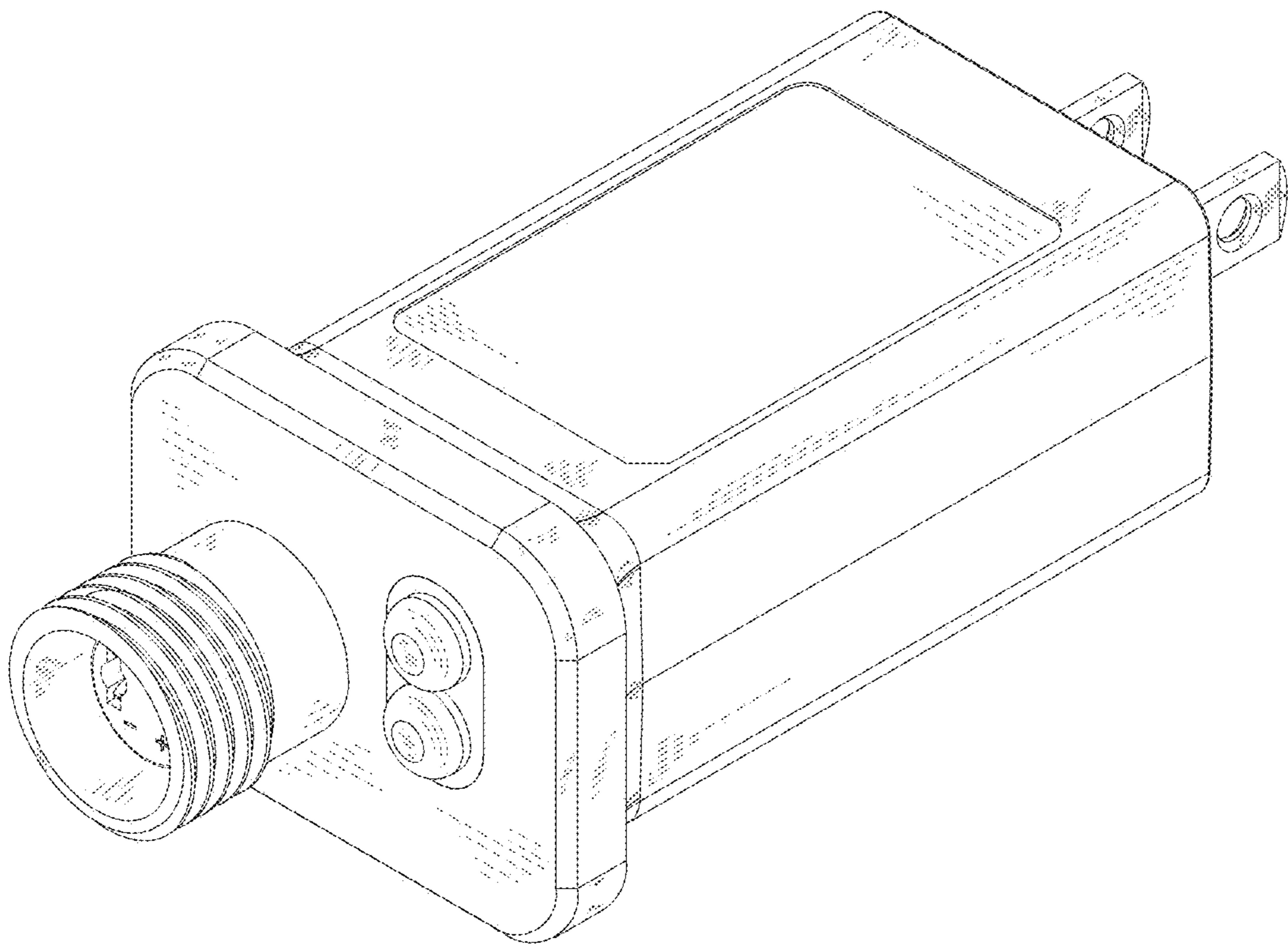


FIG. 9

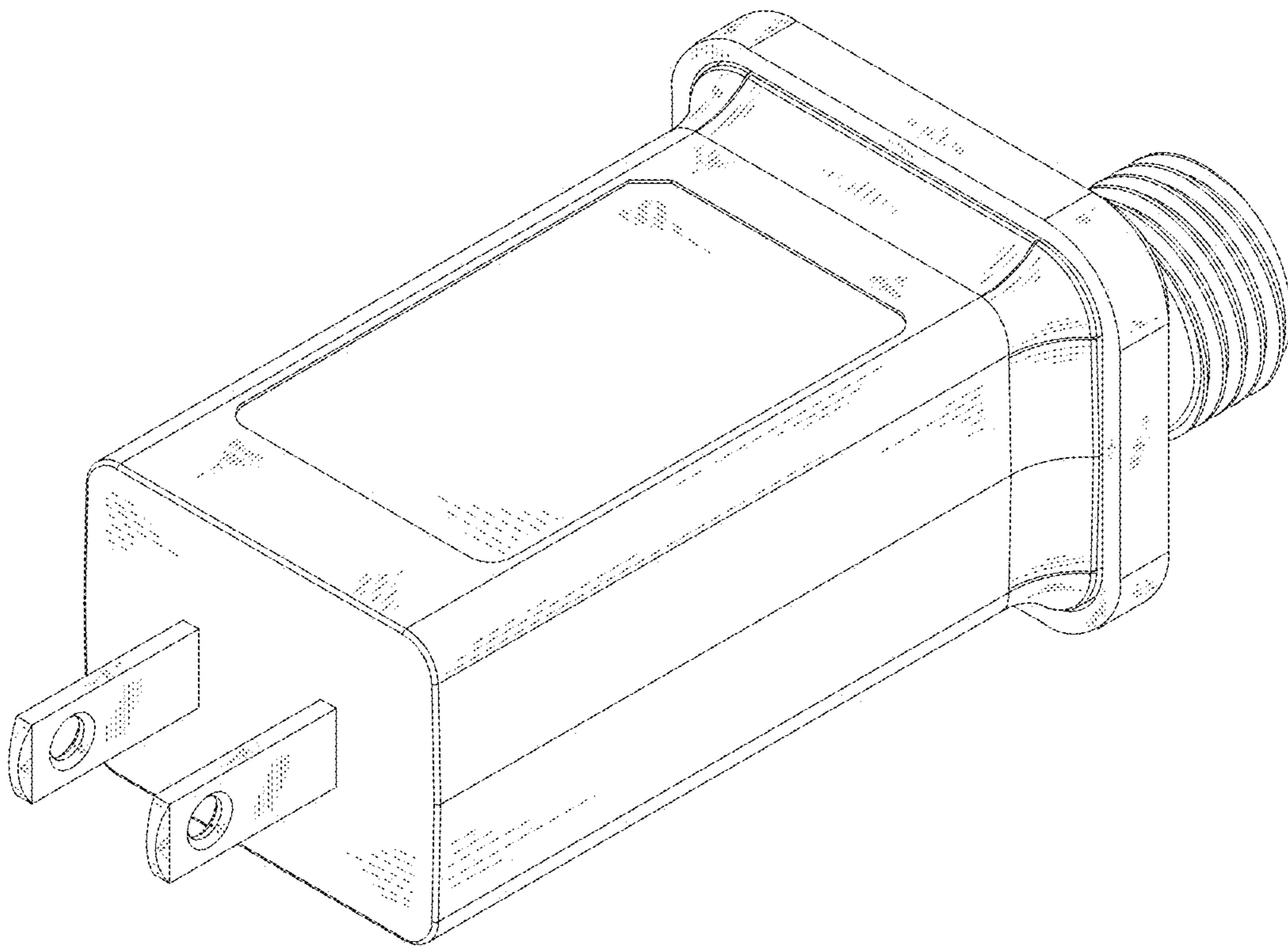


FIG. 10

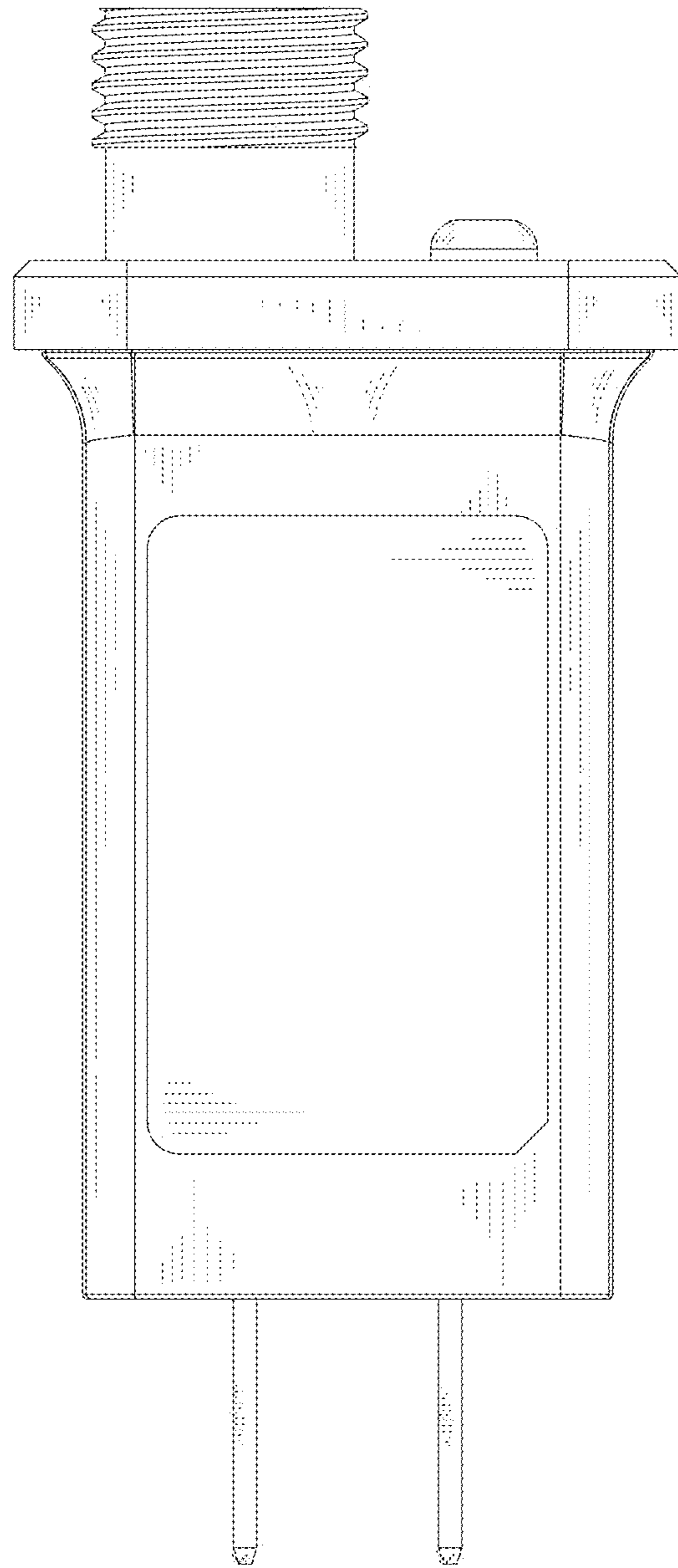


FIG. 11

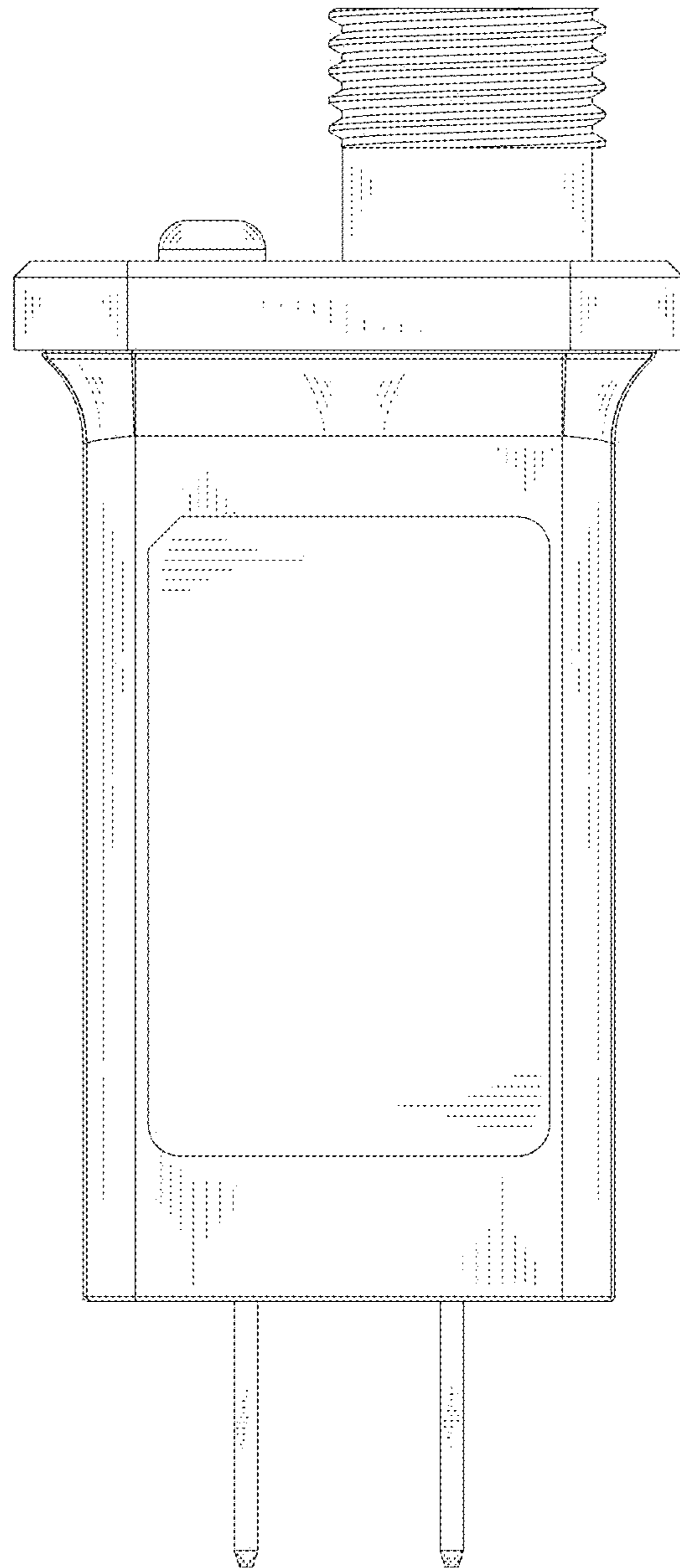


FIG. 12

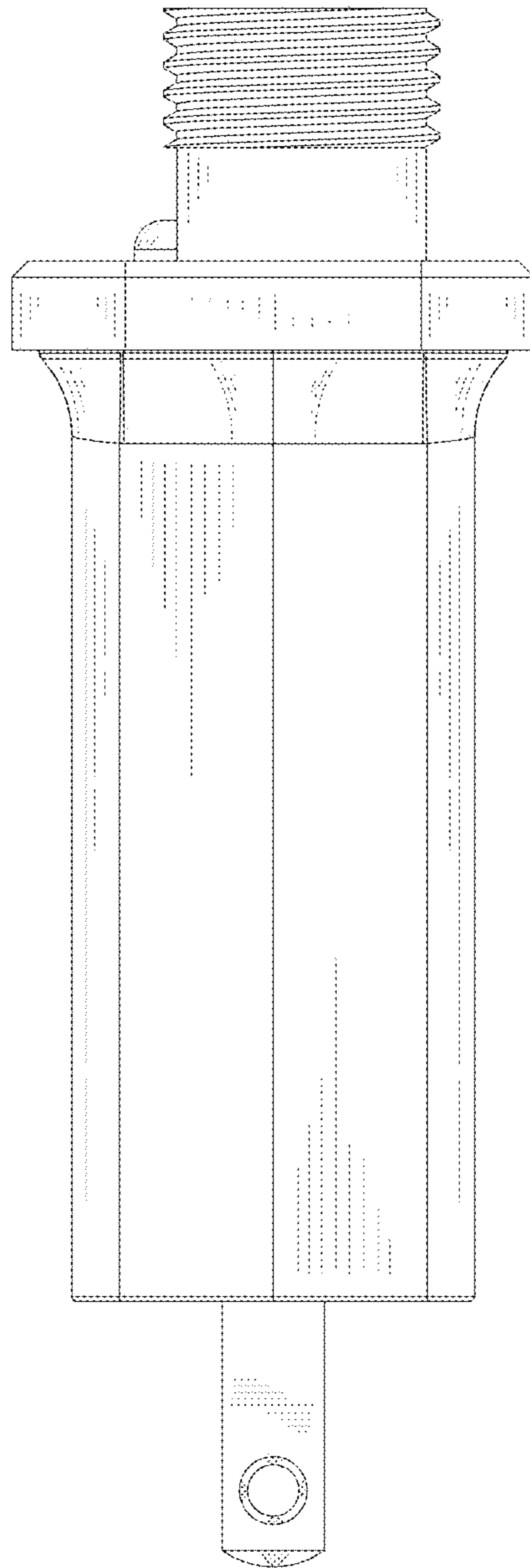


FIG. 13

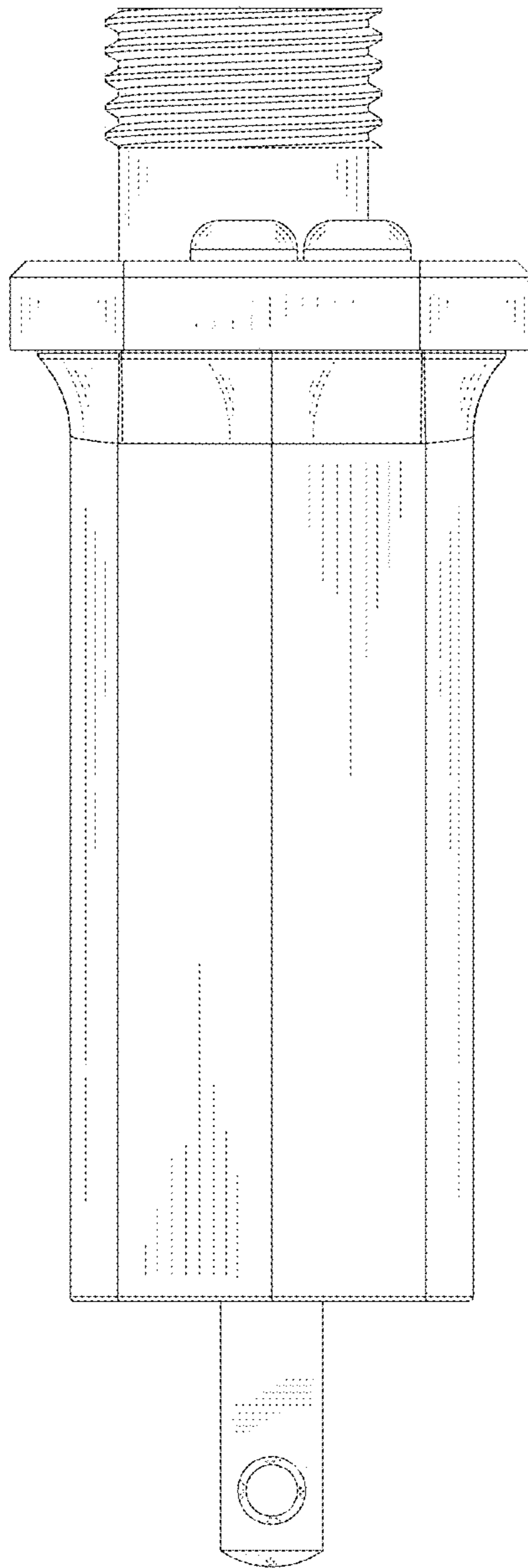


FIG. 14

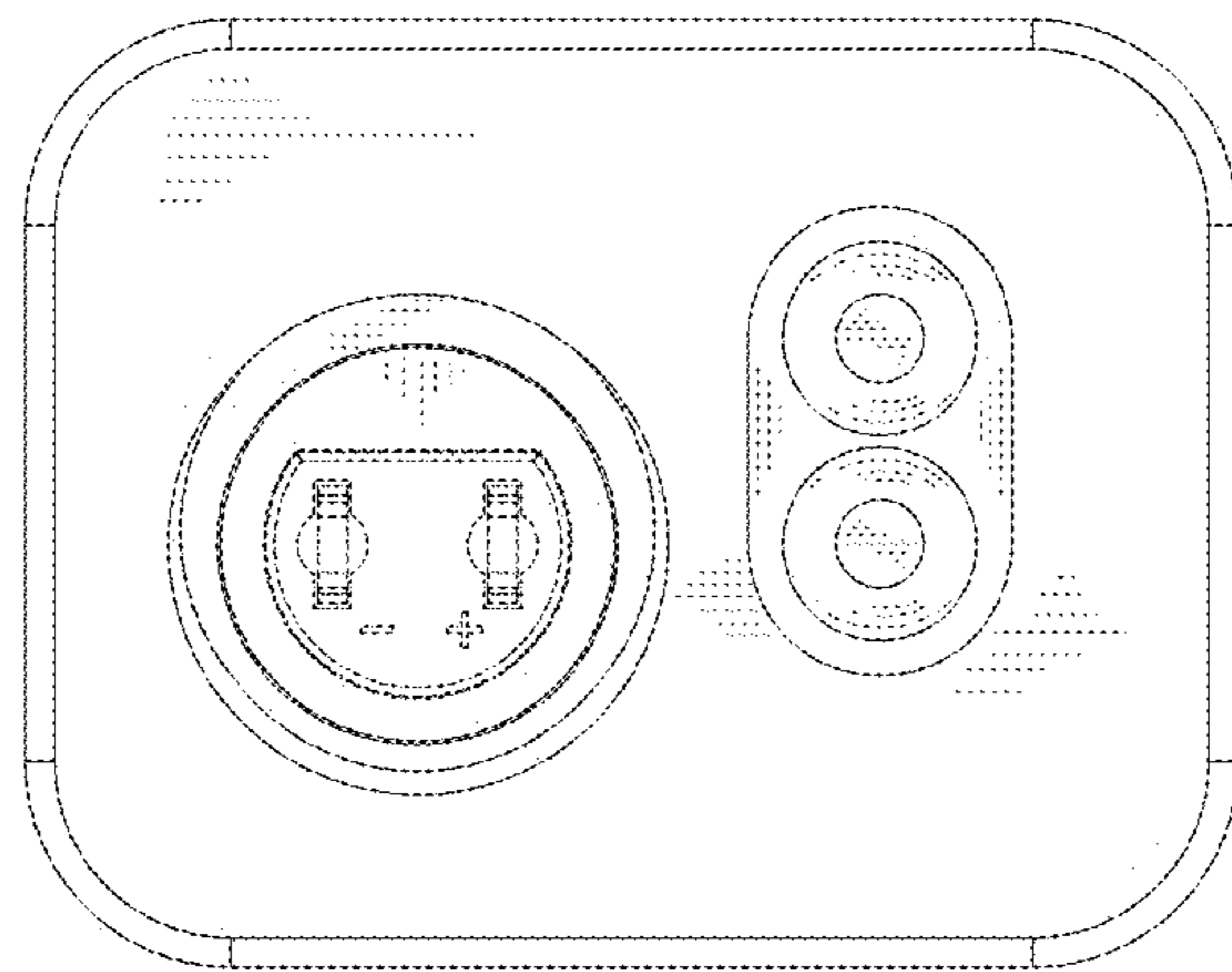


FIG. 15

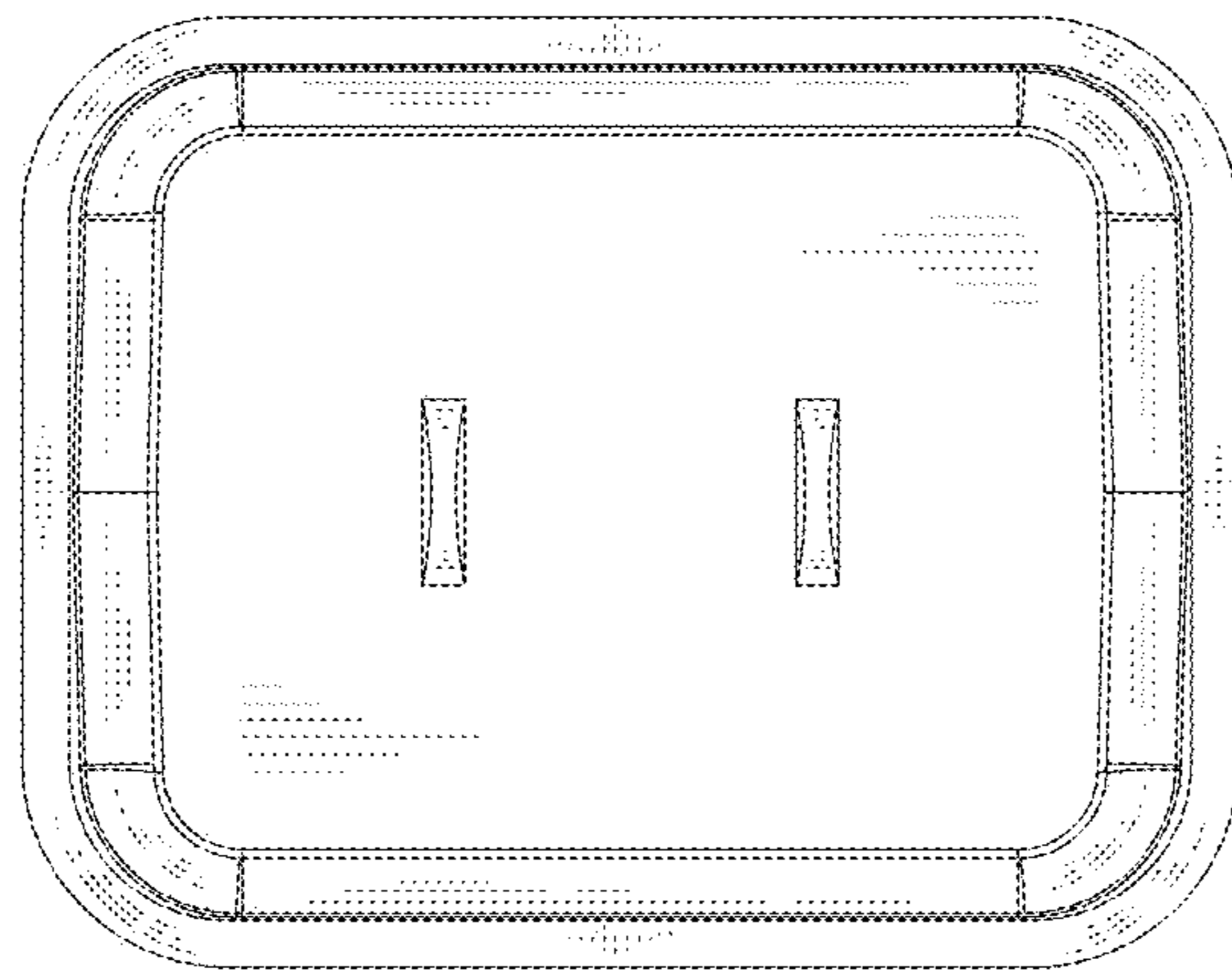


FIG. 16

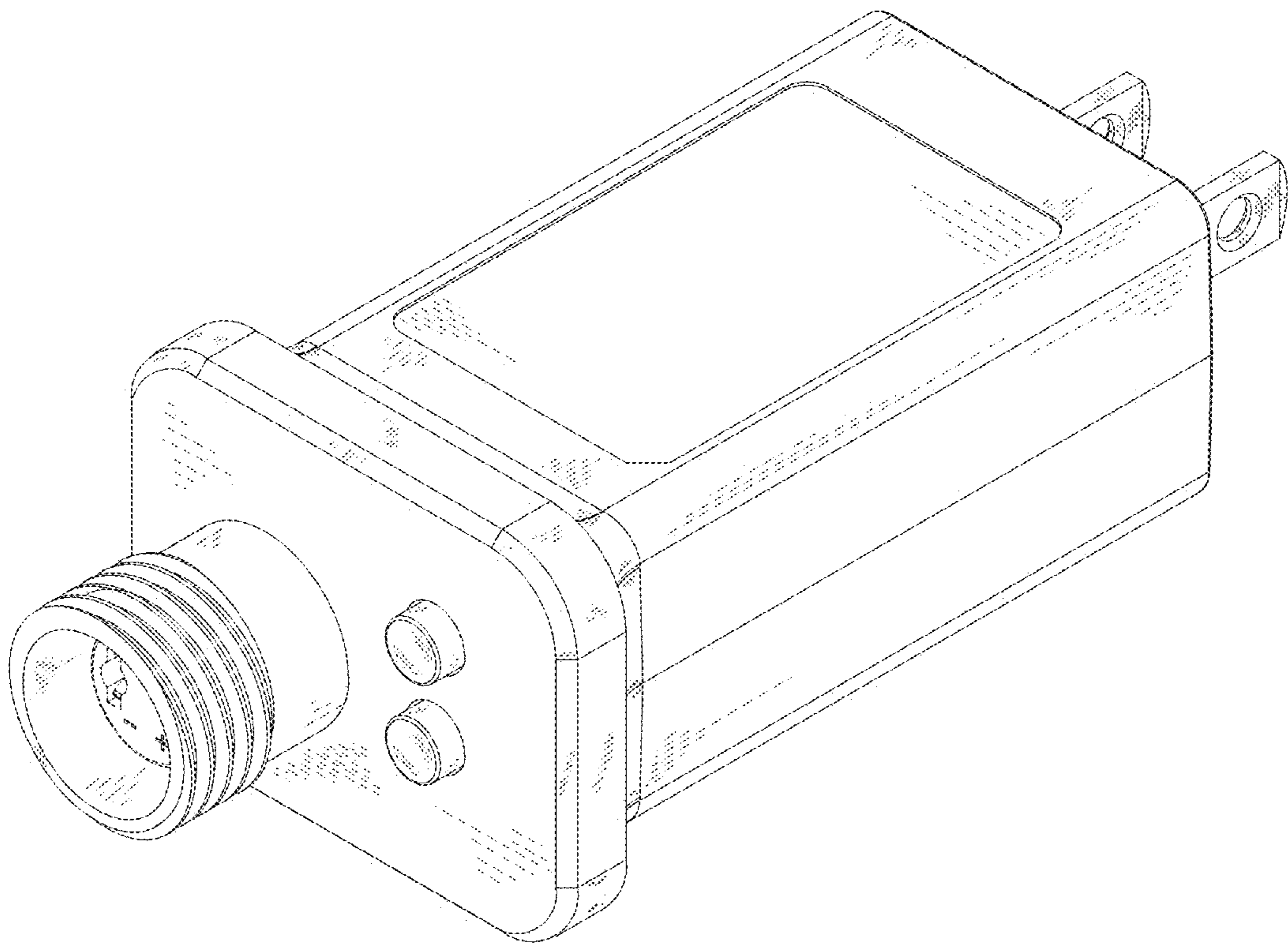


FIG. 17

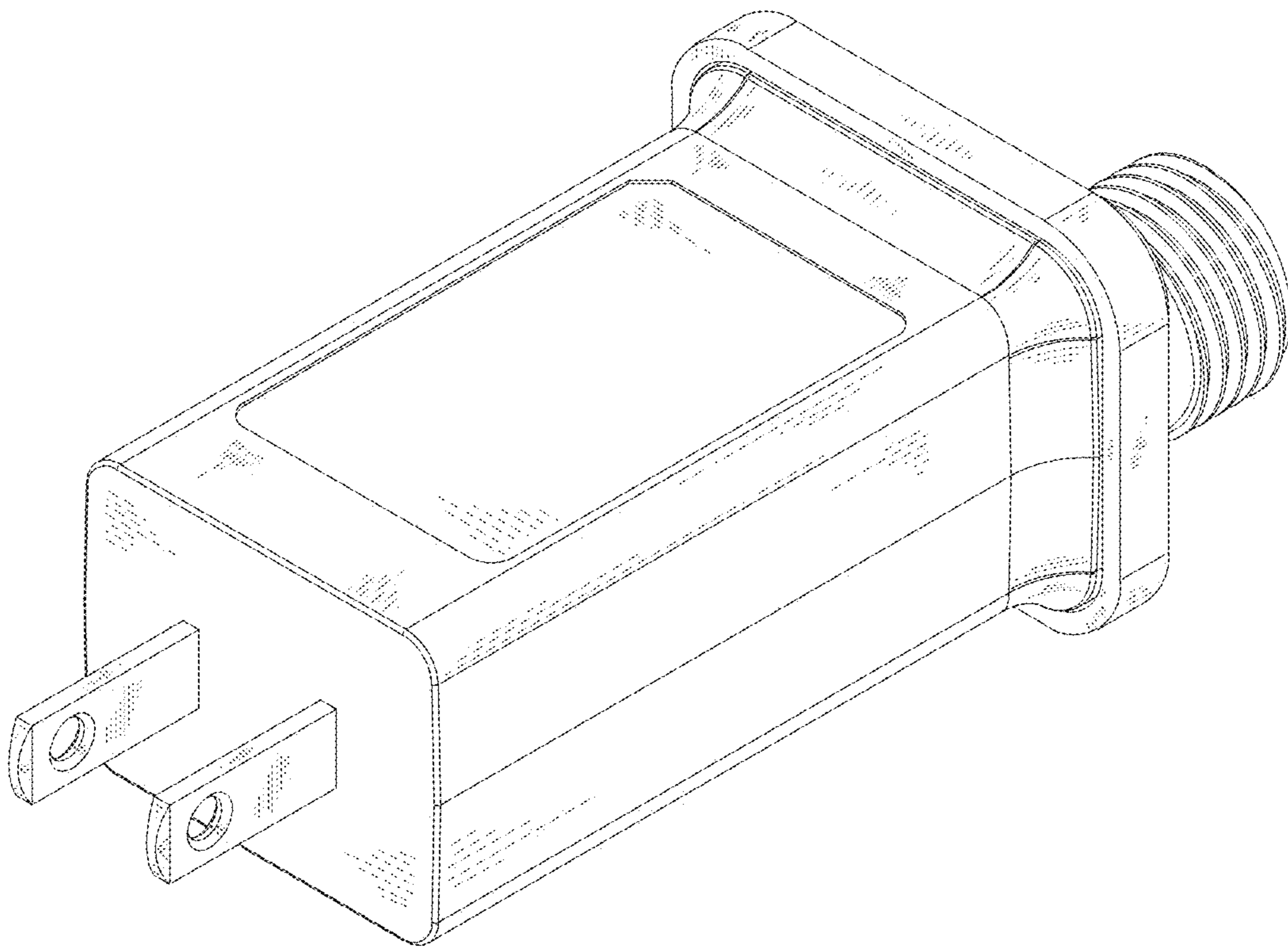


FIG. 18

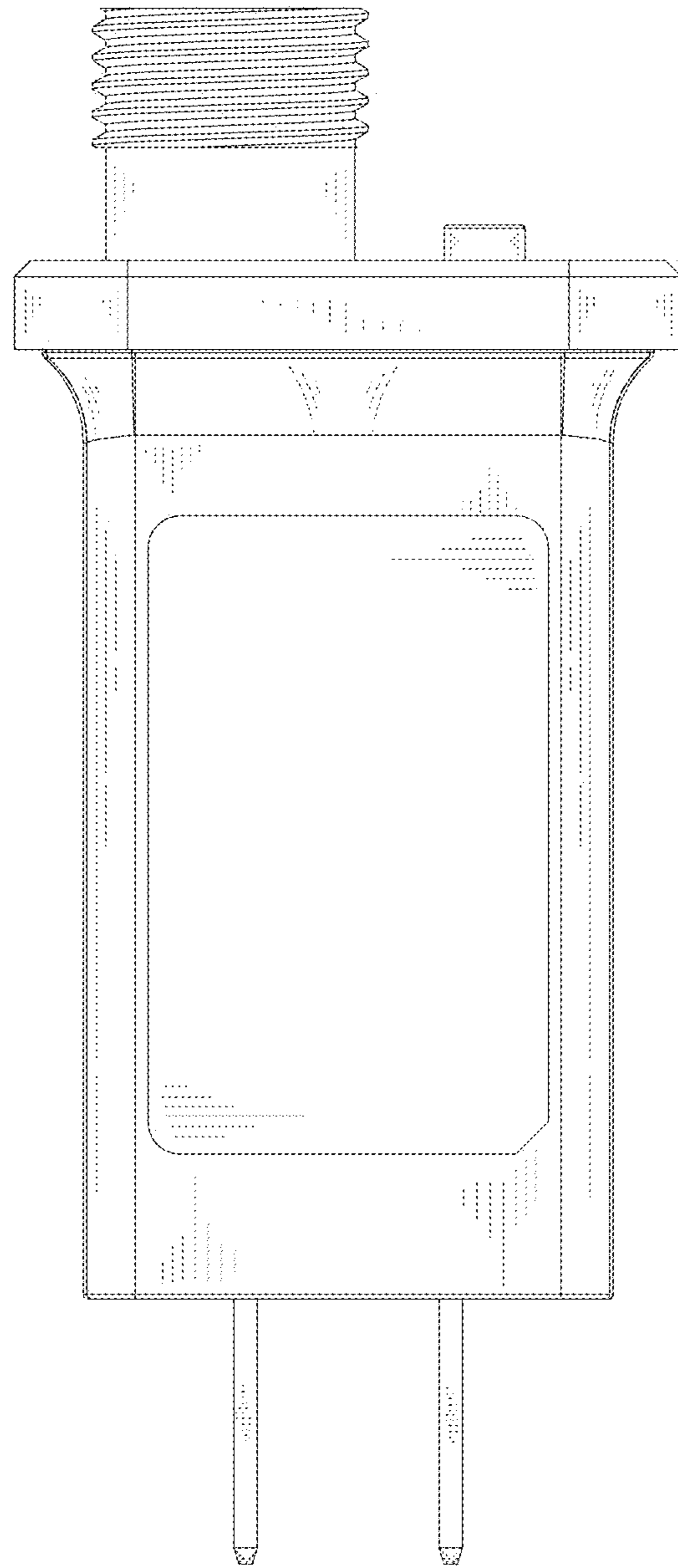


FIG. 19

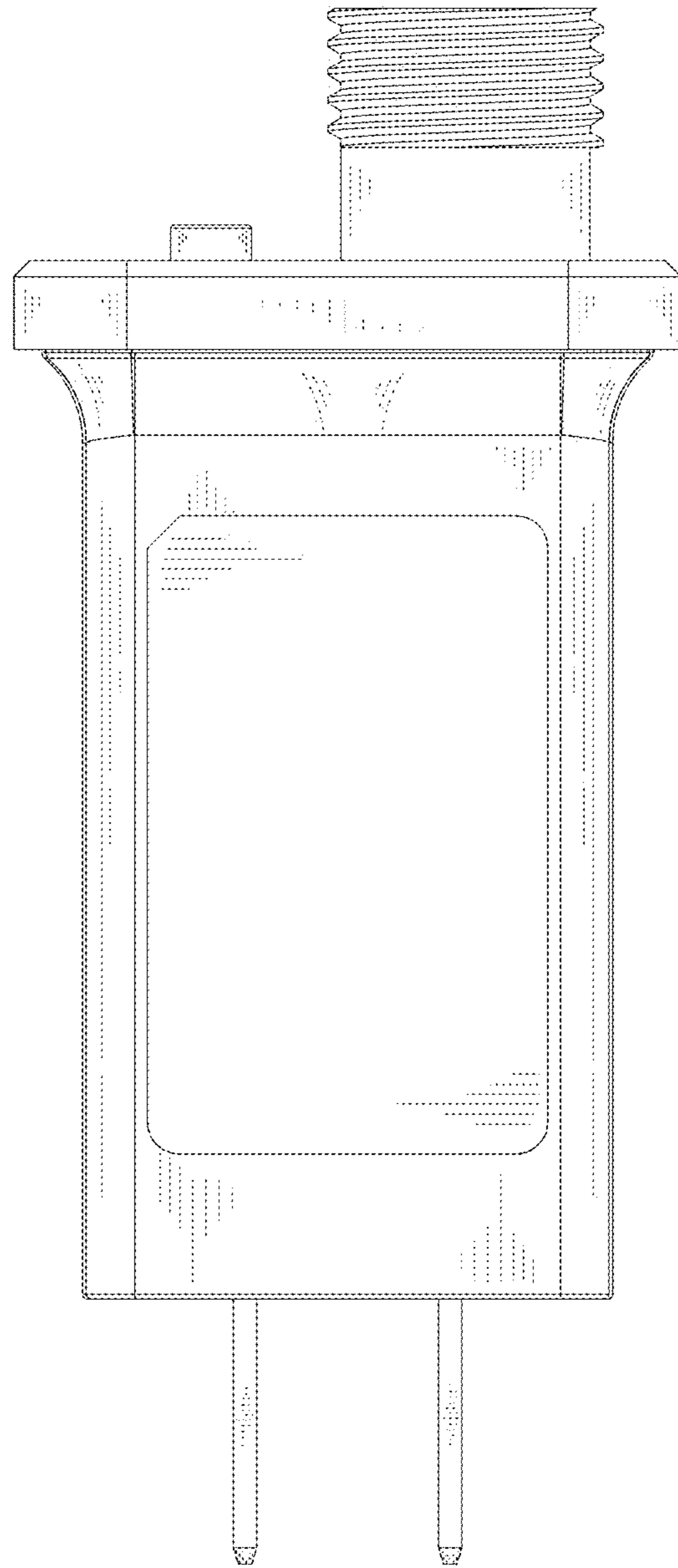


FIG. 20

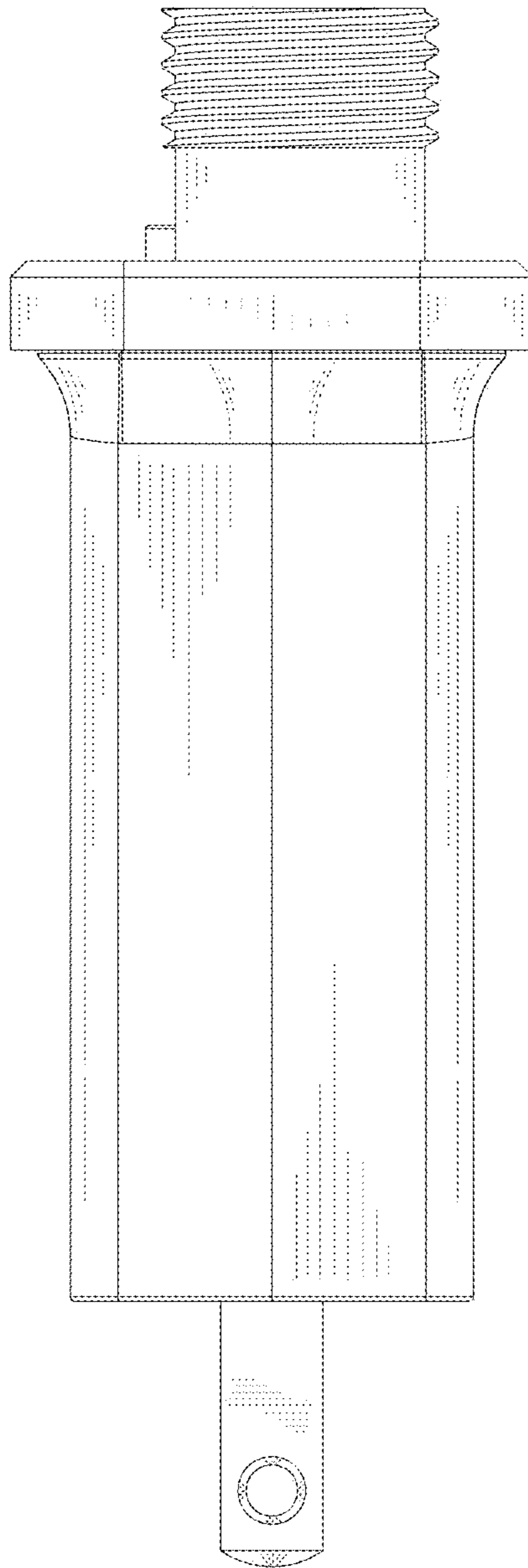


FIG. 21

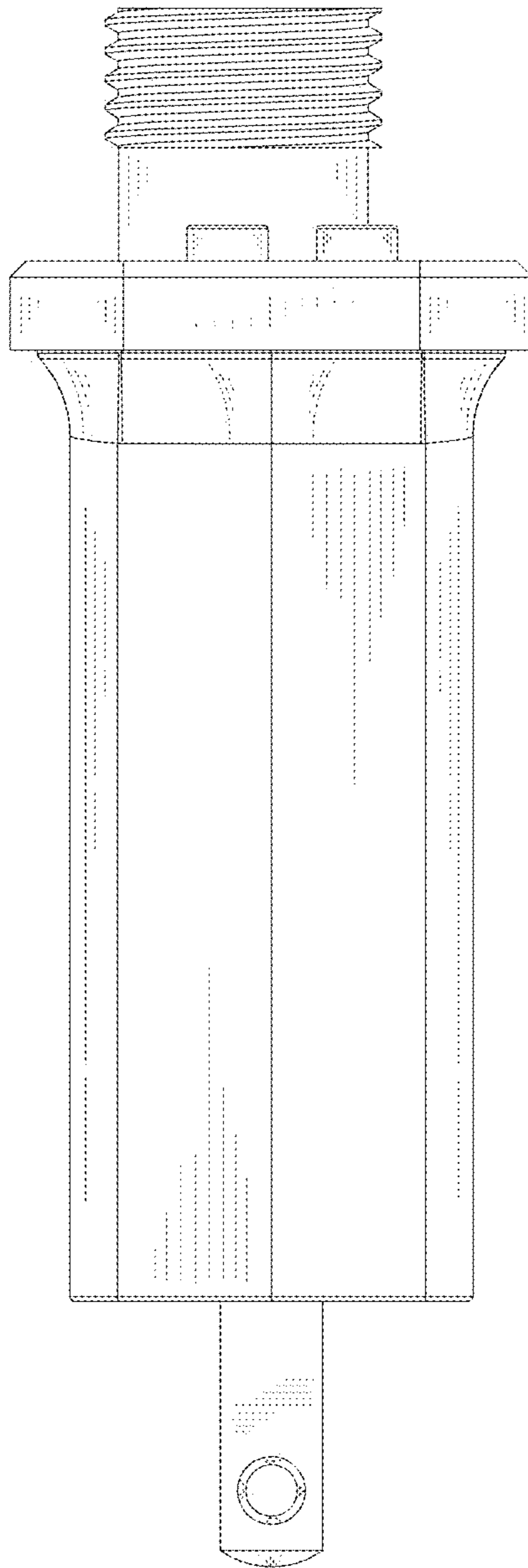


FIG. 22

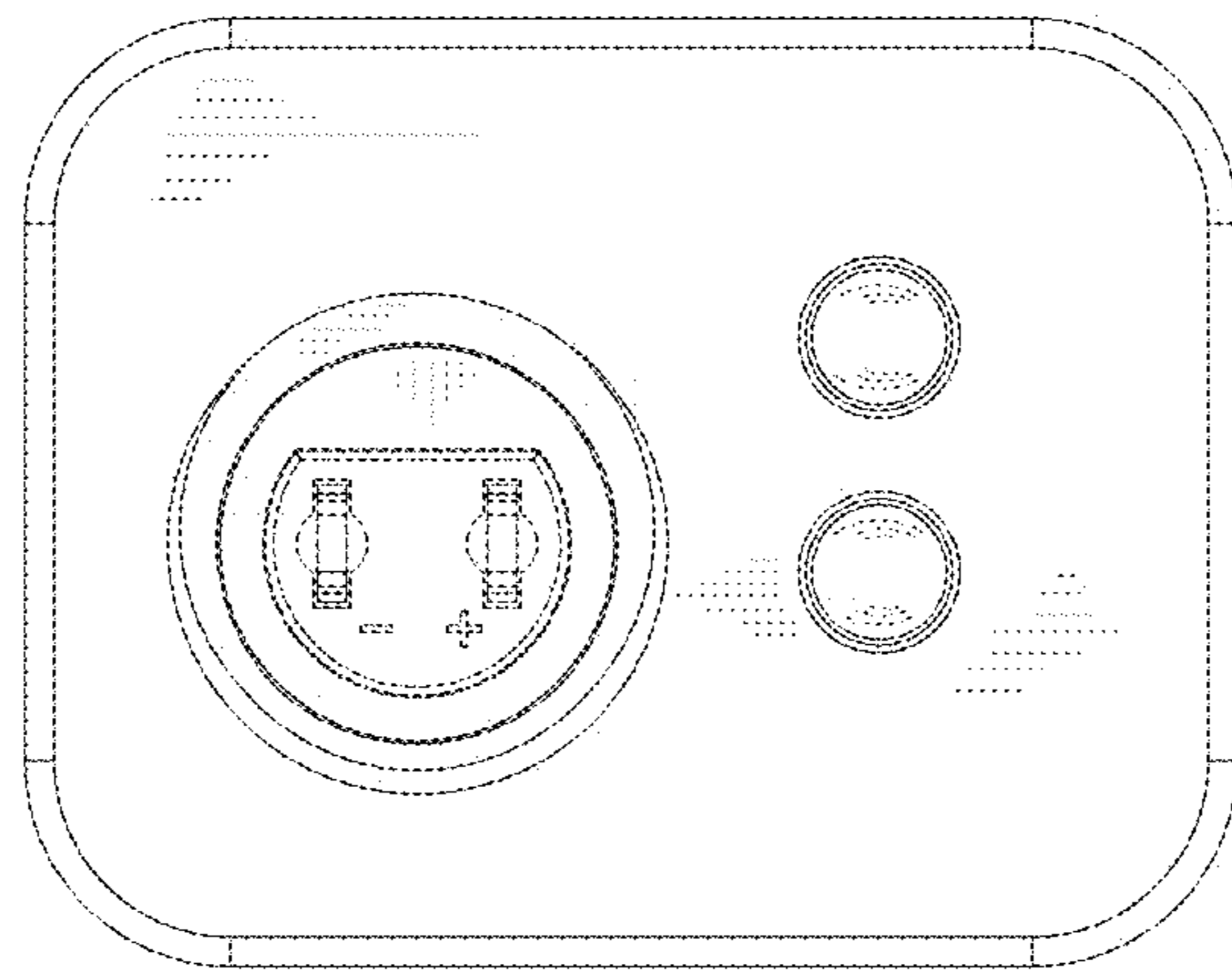


FIG. 23

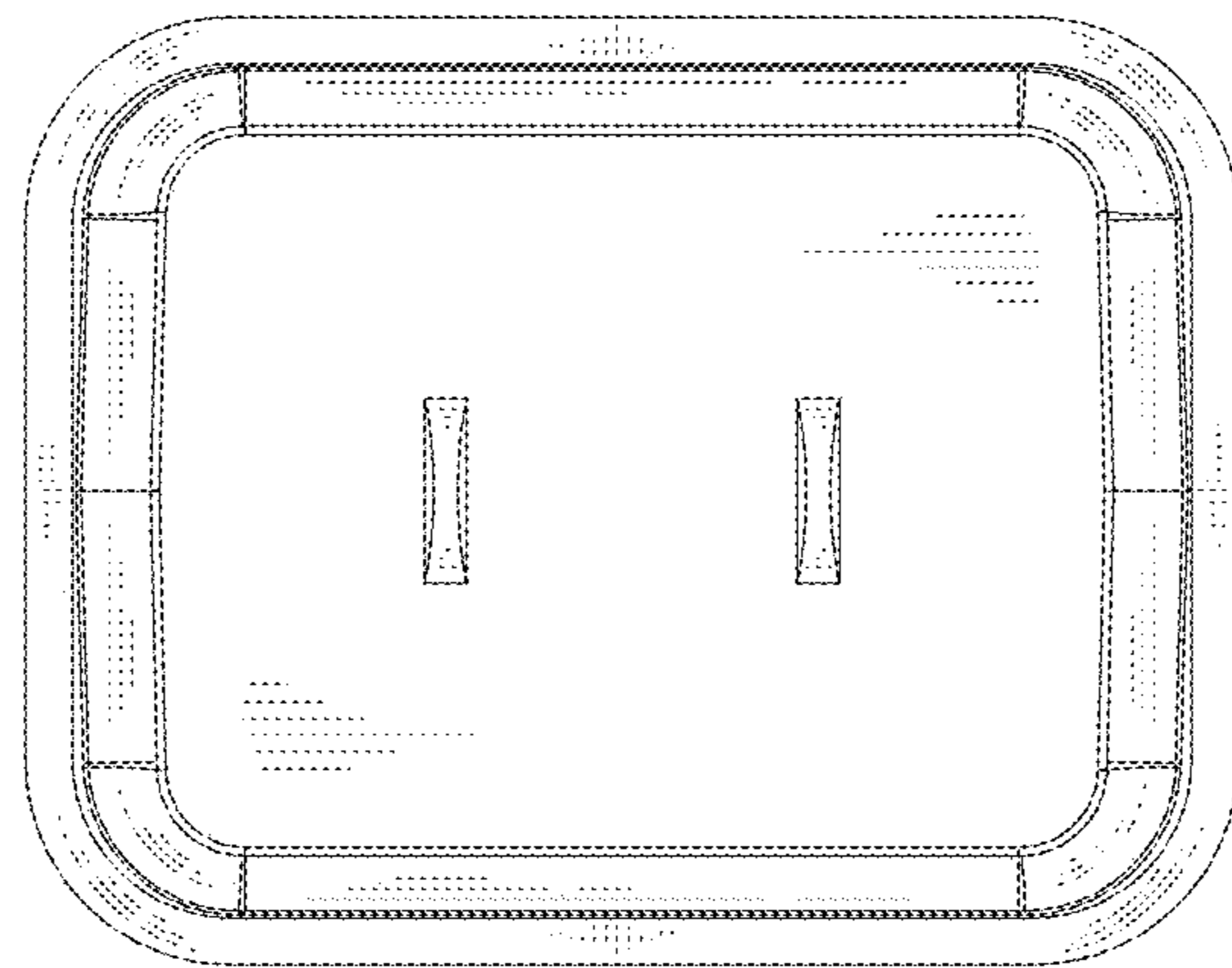


FIG. 24