



US00D952560S

(12) **United States Design Patent** (10) **Patent No.:** **US D952,560 S**
Zhang (45) **Date of Patent:** **** May 24, 2022**

(54) **WATERPROOF BATTERY BOX**
 (71) Applicant: **Rong Zhang**, Shenzhen (CN)
 (72) Inventor: **Rong Zhang**, Shenzhen (CN)
 (**) Term: **15 Years**

D906,954 S * 1/2021 Ouyang D27/101
 D929,327 S * 8/2021 Wang D13/110
 D942,381 S * 2/2022 Ruan D3/294
 D942,948 S * 2/2022 Song D13/119
 D944,725 S * 3/2022 Zeng D13/103
 2011/0226643 A1* 9/2011 Kates B65D 51/20
 53/471

(21) Appl. No.: **29/759,923**
 (22) Filed: **Nov. 25, 2020**
 (51) **LOC (13) Cl.** **13-02**
 (52) **U.S. Cl.**
 USPC **D13/110**; D13/107
 (58) **Field of Classification Search**
 USPC D13/106–110, 118–119, 184; D14/251,
 D14/253, 432, 434
 CPC Y02T 90/14; H02J 7/025; H02J 7/0042;
 H02J 7/0044; H02J 7/0045; H02J 7/0003;
 H02J 7/0034; H02J 7/1423; H01F 38/14;
 H01R 13/6675; H01M 10/44; H01M
 10/46; H01M 10/425
 See application file for complete search history.

* cited by examiner

Primary Examiner — Nathaniel D. Buckner

(57) **CLAIM**

The ornamental design for a waterproof battery box, as shown and described.

DESCRIPTION

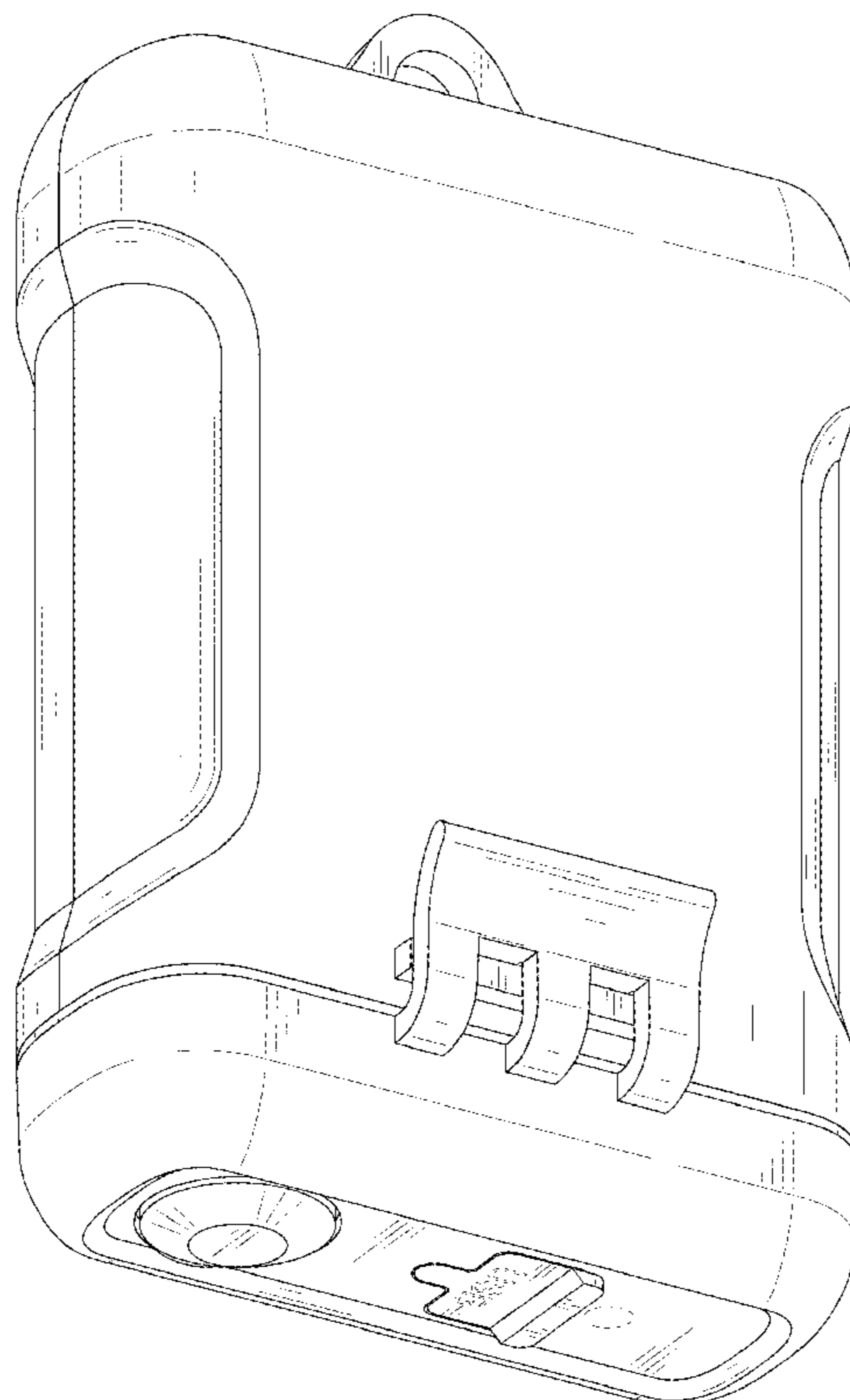
FIG. 1 is a perspective view of a waterproof battery box showing my new design;
 FIG. 2 is another perspective view thereof;
 FIG. 3 is a front elevational view thereof;
 FIG. 4 is a rear elevational view thereof;
 FIG. 5 is a left side elevational view thereof;
 FIG. 6 is a right side elevational view thereof;
 FIG. 7 is a top plan view thereof;
 FIG. 8 is a bottom plan view thereof; and,
 FIG. 9 is a perspective view of the waterproof battery box where the waterproof battery box is in a closed state.
 The broken lines in the drawings depict portions of the waterproof battery box that form no part of the claimed design.

(56) **References Cited**

U.S. PATENT DOCUMENTS

D788,364 S * 5/2017 Chen D27/163
 D825,465 S * 8/2018 Deng D13/119
 D828,953 S * 9/2018 Chen D27/167
 D842,238 S * 3/2019 Qiu D27/101
 D869,086 S * 12/2019 Pan D27/162
 D871,329 S * 12/2019 Chen D13/103
 D887,347 S * 6/2020 Wei D13/103

1 Claim, 9 Drawing Sheets



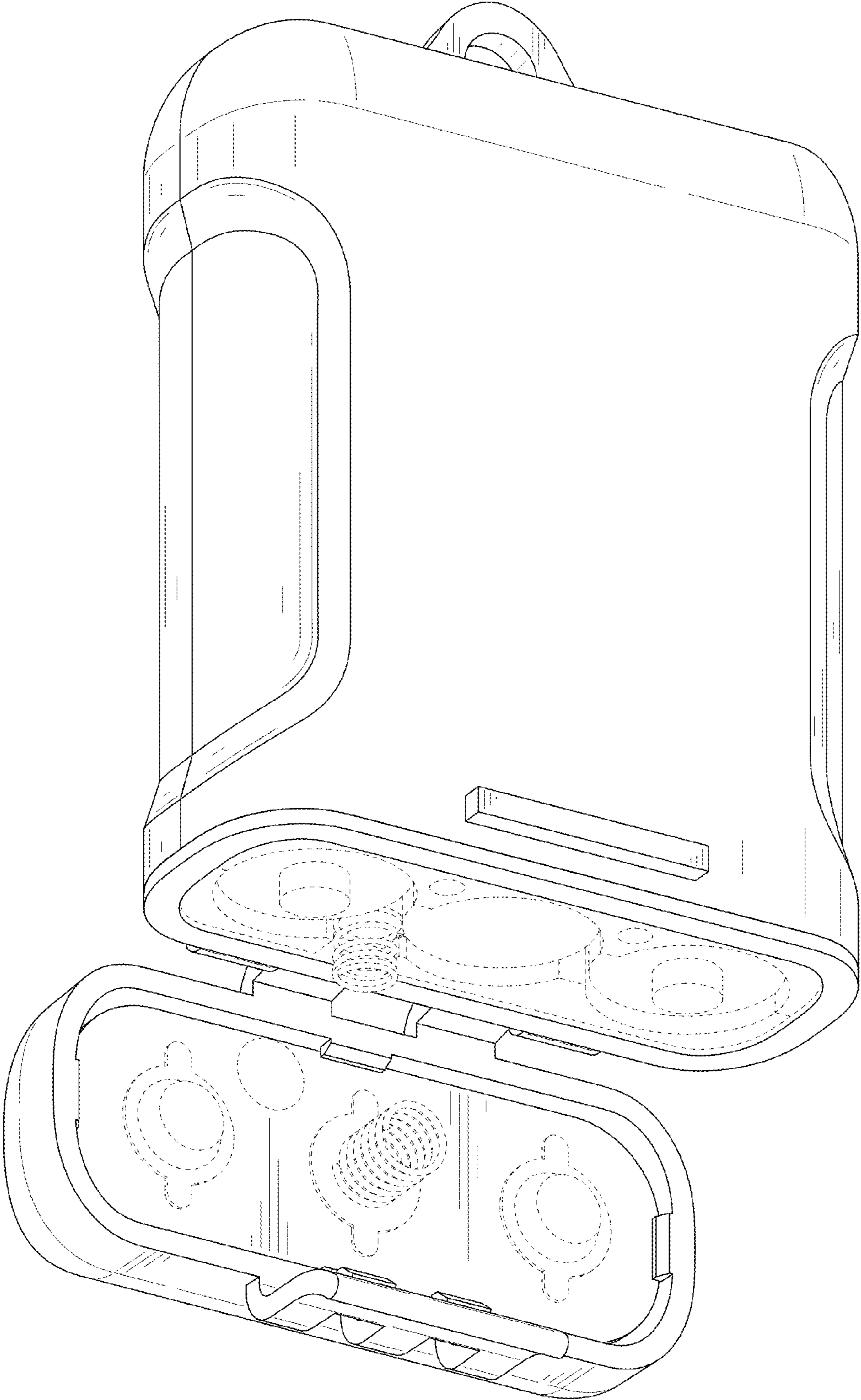


FIG. 1

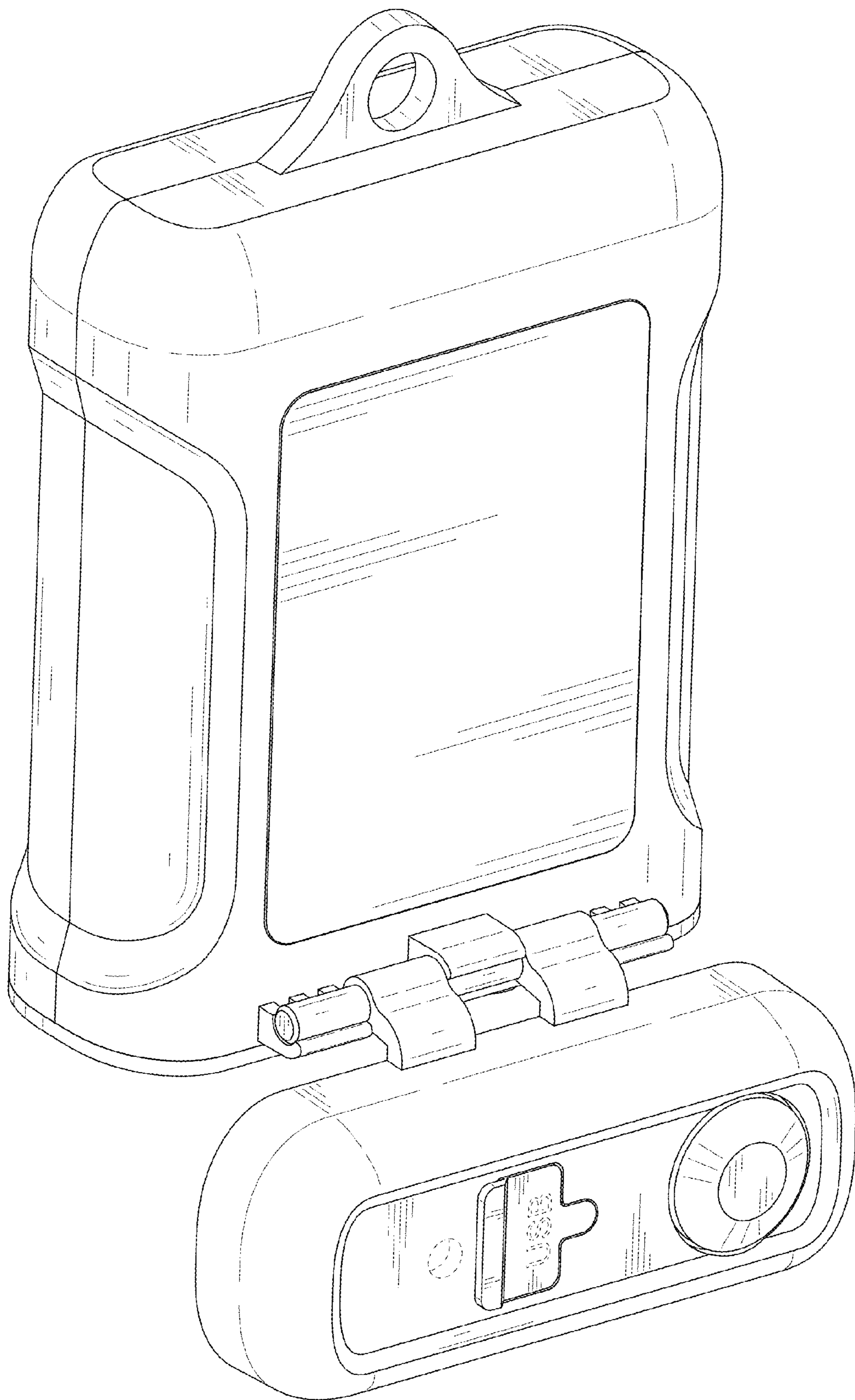


FIG. 2

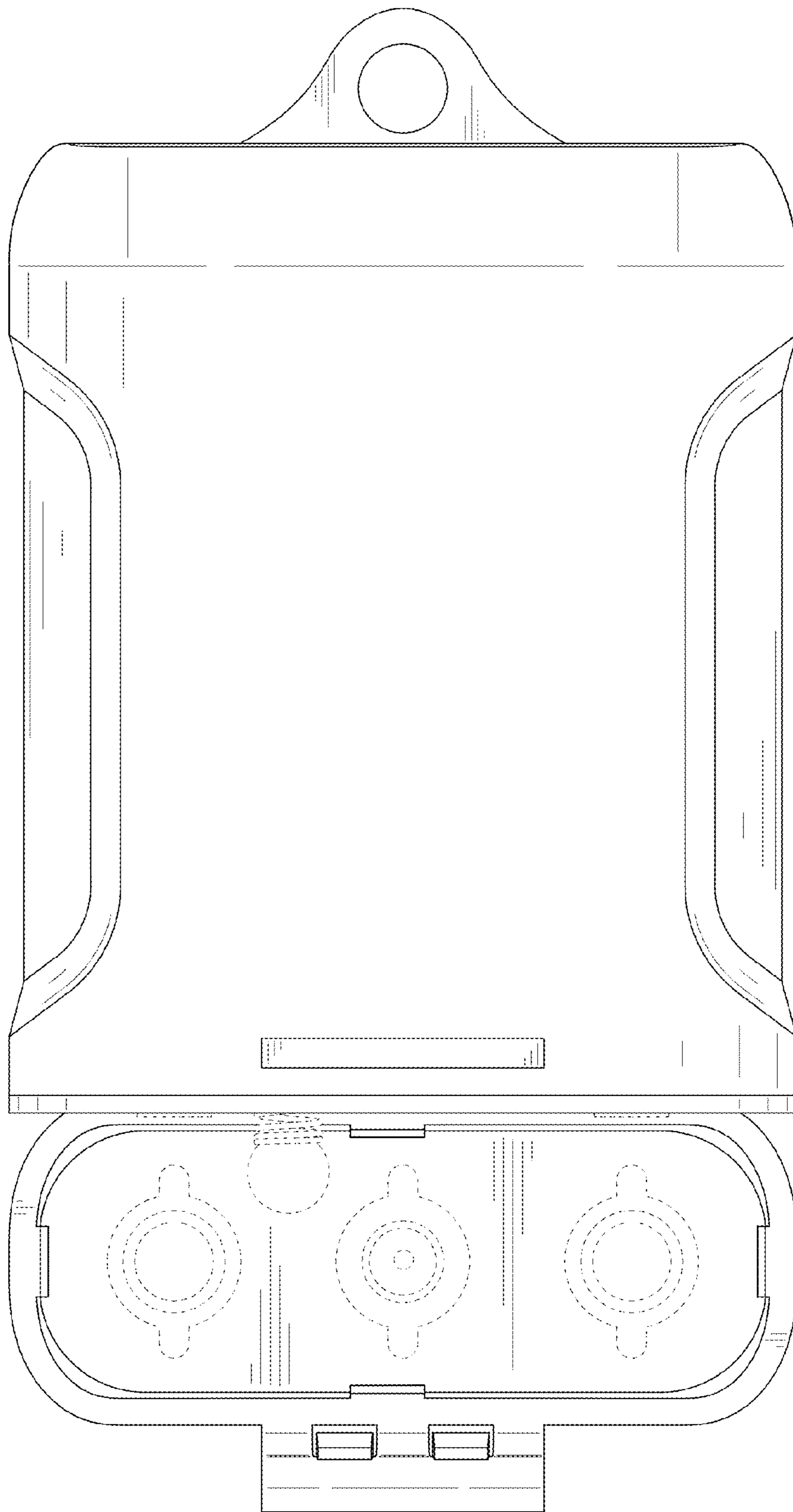


FIG. 3

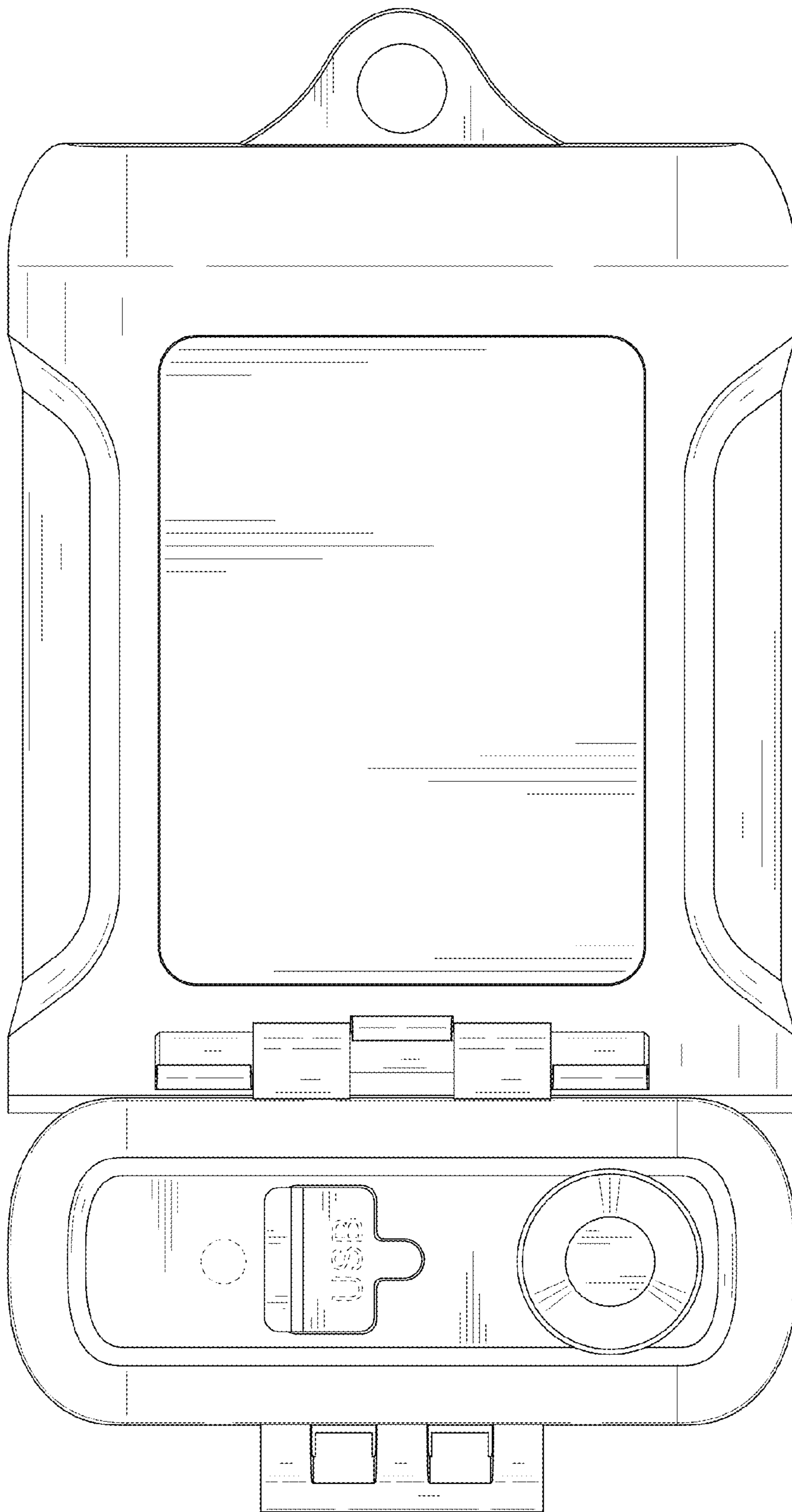


FIG. 4

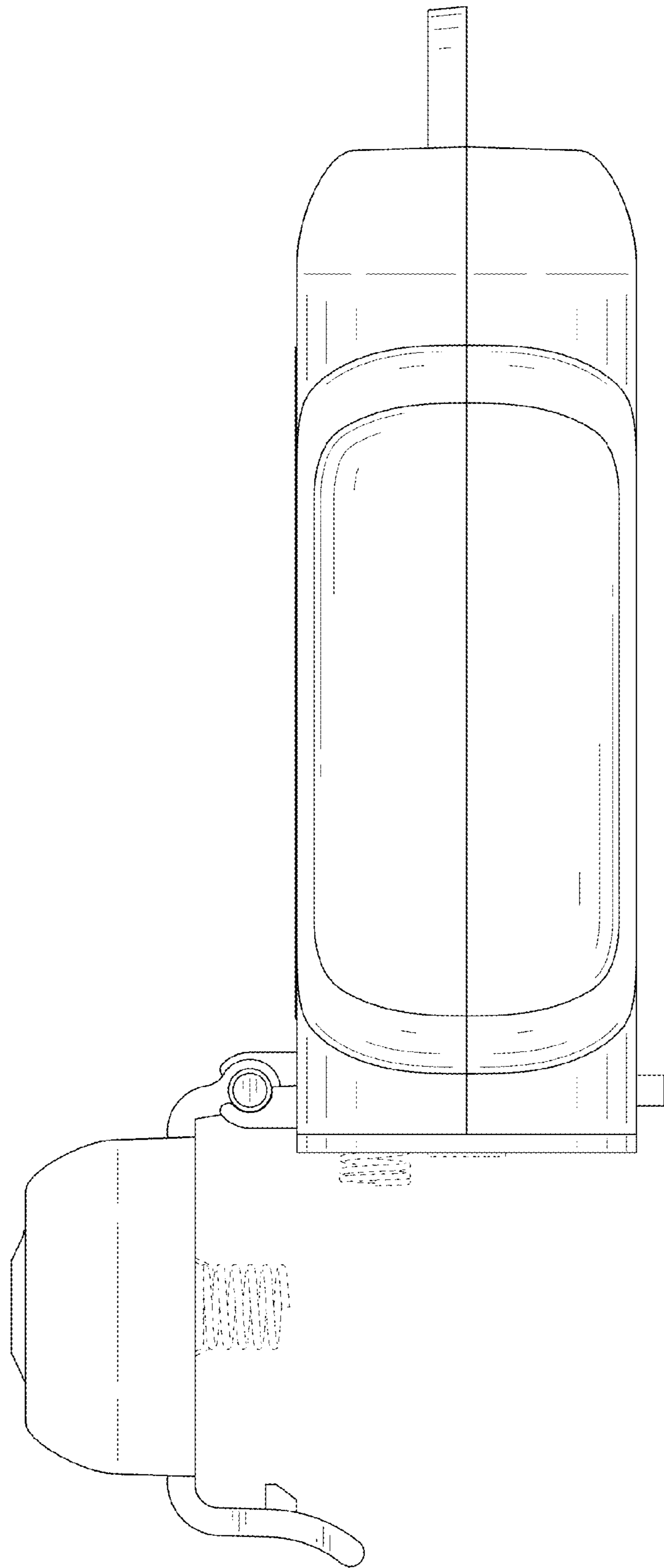


FIG. 5

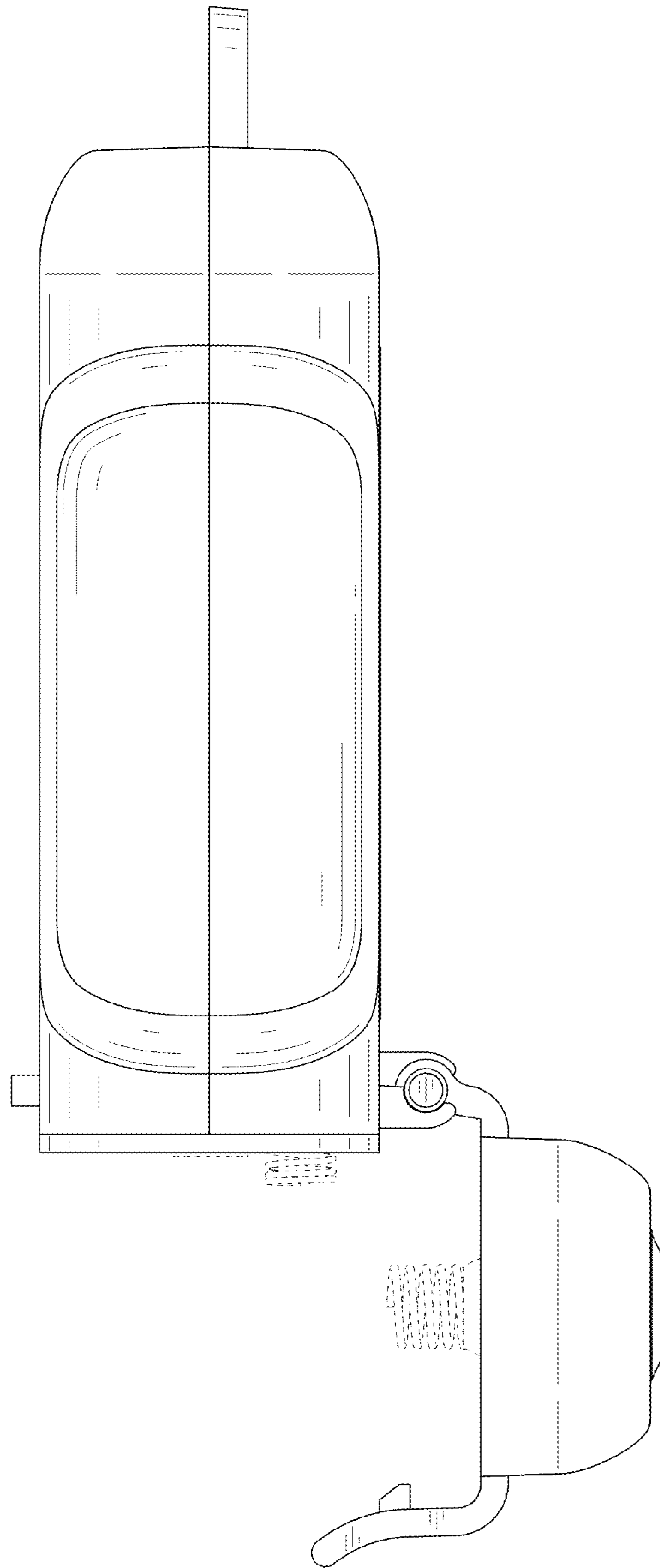


FIG. 6

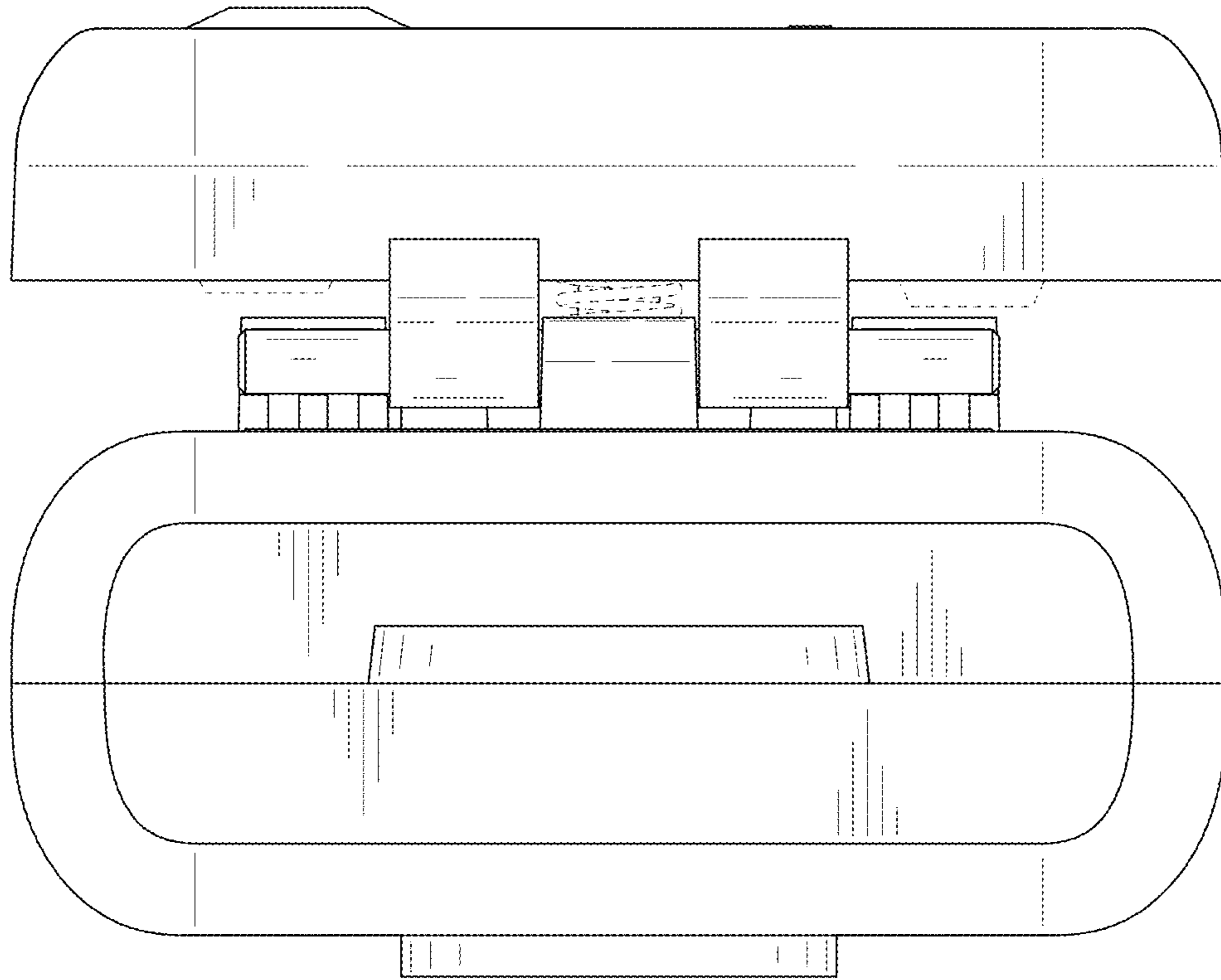


FIG. 7

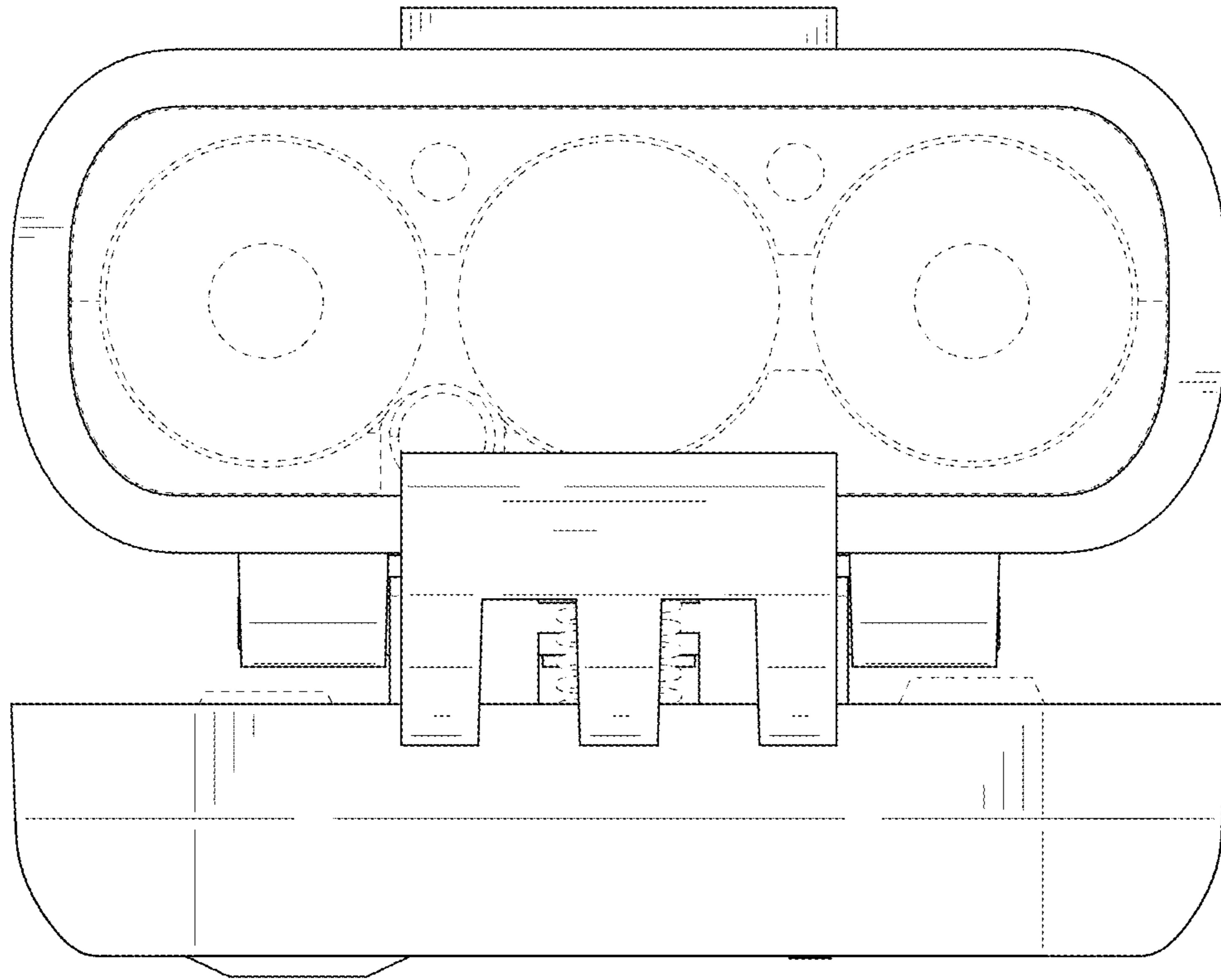


FIG. 8

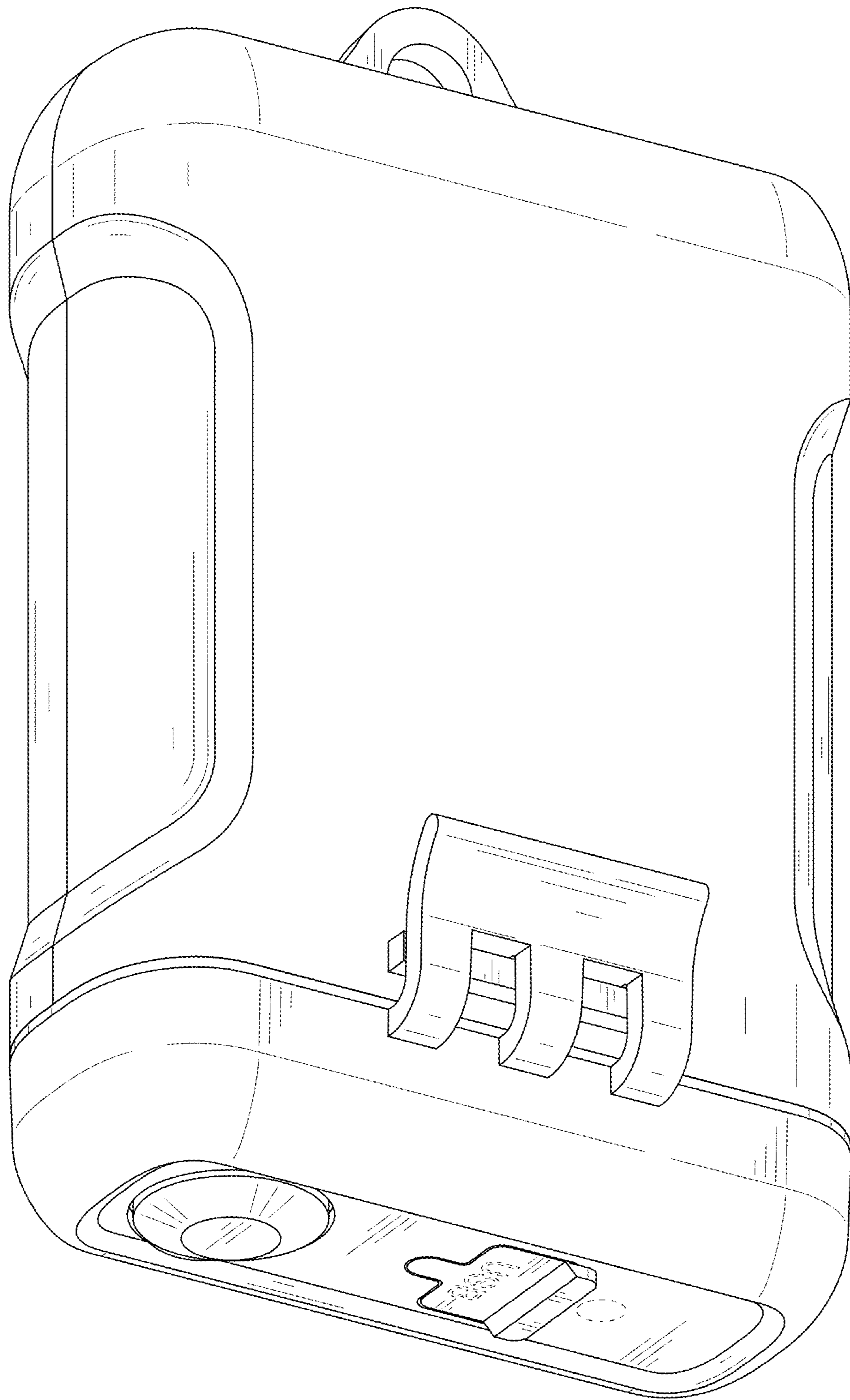


FIG. 9