



US00D952559S

(12) **United States Design Patent**
Chen

(10) **Patent No.:** **US D952,559 S**

(45) **Date of Patent:** **** May 24, 2022**

(54) **WIRELESS CHARGER**

(71) Applicant: **SHENZHEN QIANHAI PATUOXUN NETWORK AND TECHNOLOGY CO., LTD**, Shenzhen (CN)

(72) Inventor: **Yao Chen**, Shenzhen (CN)

(73) Assignee: **SHENZHEN QIANHAI PATUOXUN NETWORK AND TECHNOLOGY CO., LTD**, Shenzhen (CN)

(**) Term: **15 Years**

(21) Appl. No.: **29/757,953**

(22) Filed: **Nov. 11, 2020**

(30) **Foreign Application Priority Data**

Jun. 2, 2020 (EM) 007980446

(51) **LOC (13) Cl.** **13-02**

(52) **U.S. Cl.**
USPC **D13/108**

(58) **Field of Classification Search**

USPC D13/103, 107, 108, 110, 118, 119, 137.2,
D13/137.3, 139.1, 139.4, 139.5;
D14/251, 252, 253, 432, 433, 434, 447
CPC H01R 24/00; H01R 12/592; H02J 7/0044;
H02J 7/0045

See application file for complete search history.

(56) **References Cited**

U.S. PATENT DOCUMENTS

D811,414 S * 2/2018 Lee D14/447
D845,954 S * 4/2019 Bae D14/434
D850,369 S * 6/2019 Wang D13/108
D853,325 S * 7/2019 Xu D13/108
D856,925 S * 8/2019 Chun D13/108

D872,691 S * 1/2020 Liao D13/108
D886,059 S * 6/2020 Hu D13/108
D911,279 S * 2/2021 Hu D13/108
D927,233 S * 8/2021 Lee D6/682
D938,351 S * 12/2021 Yamamoto D13/108
2016/0315496 A1* 10/2016 Barnard H02J 7/0044
2017/0093200 A1* 3/2017 Green H02J 7/025
2019/0363555 A1* 11/2019 Kung H02J 7/0044

OTHER PUBLICATIONS

“Seneo Dual Wireless Charging Pad with iWatch Stand”. Found online Feb. 10, 2021 at amazon.com. Reference dated May 19, 2019. Retrieved from https://www.amazon.com/Wireless-Charger-Seneo-Charging-Airpods/dp/B07RKRBLPY/ref=psdc_2407761011_t4_B083SJRT2R. (Year: 2019).*

(Continued)

Primary Examiner — Kendra Leslie Hamilton

Assistant Examiner — Amanda Christensen

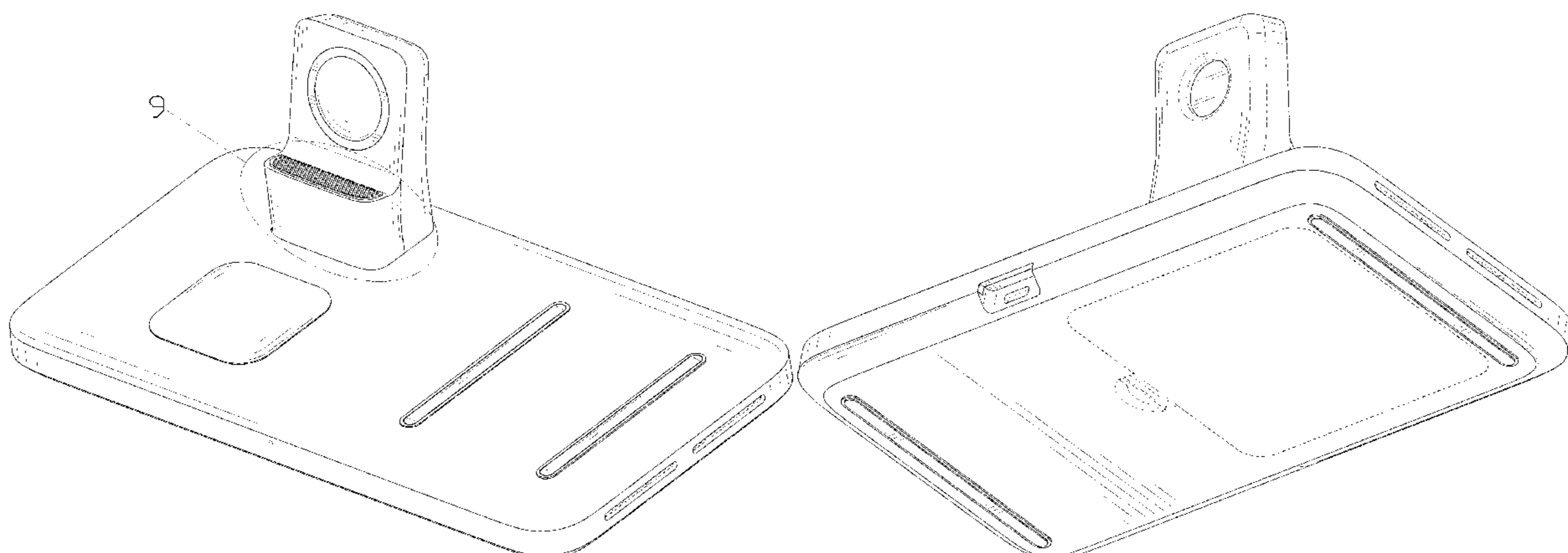
(57) **CLAIM**

The ornamental design for a wireless charger, as shown and described.

DESCRIPTION

FIG. 1 is a top, front, right side perspective view of a wireless charger, showing my new design;
FIG. 2 is a bottom, rear, left side perspective view thereof;
FIG. 3 is a front elevational view thereof;
FIG. 4 is a rear elevational view thereof;
FIG. 5 is a left side elevational view thereof;
FIG. 6 is a right side elevational view thereof;
FIG. 7 is a top plan view thereof;
FIG. 8 is a bottom plan view thereof; and,
FIG. 9 is an enlarged view of portion 9 shown in FIG. 1.
The broken lines in the drawings depict portions of the wireless charger that form no part of the claimed design.

1 Claim, 9 Drawing Sheets



(56)

References Cited

OTHER PUBLICATIONS

“Mophie 3 in 1 Wireless Charge Pad”. Found online Sep. 8, 2021 at amazon.com. Reference dated Jan. 10, 2020. Retrieved from <https://www.amazon.in/mophie-Wireless-Charge-Pad-Charging/dp/B07XPWD4WW?th=1>. (Year: 2020).*

“OITTM Multi-function Charging Stand”. Found online Sep. 8, 2021 at macsources.com. Reference dated Aug. 14, 2017. Retrieved from <https://macsources.com/oittm-multifunction-charging-stand-for-apple-iphone-and-watch-review/>. (Year: 2017).*

* cited by examiner

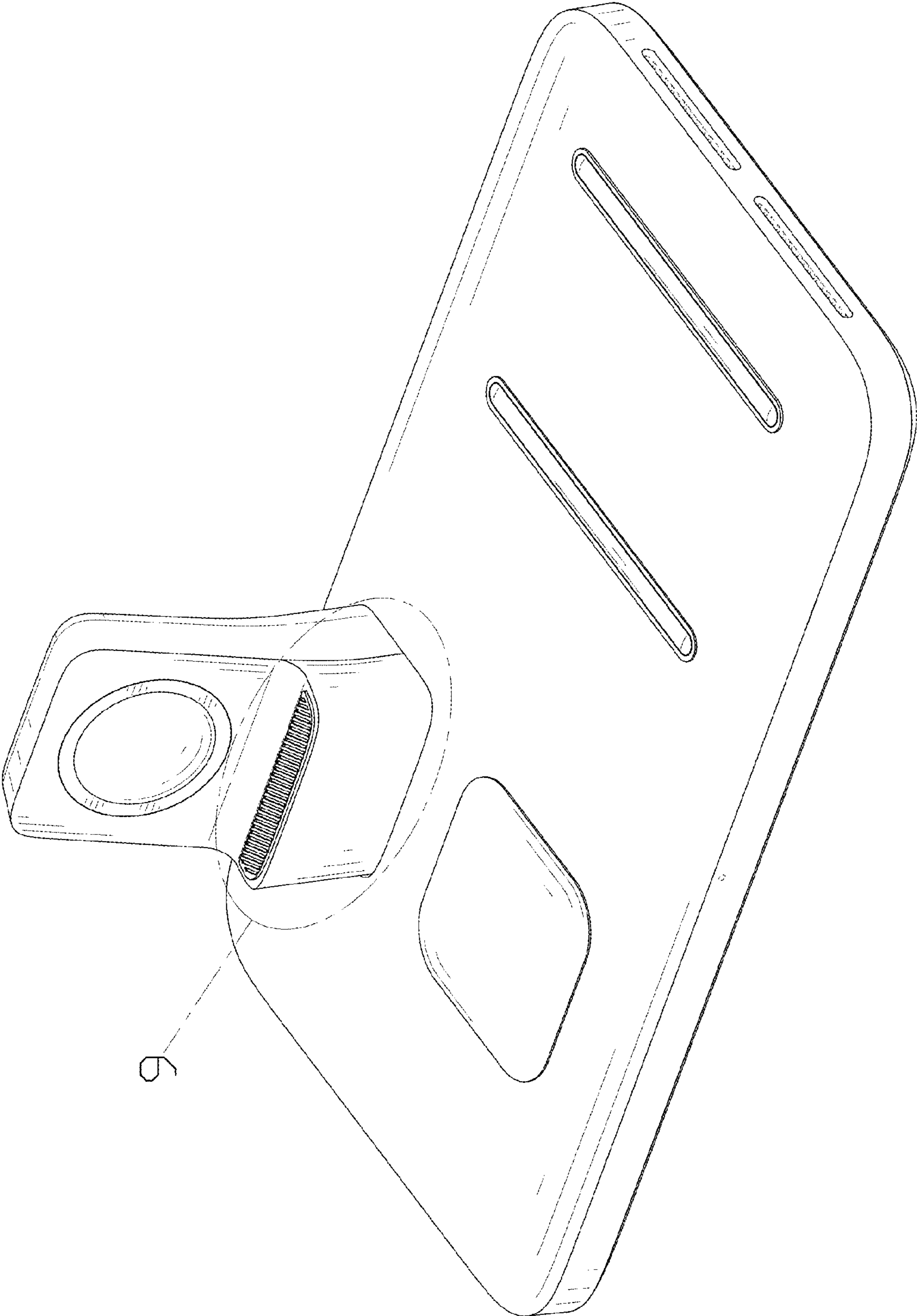


FIG. 1

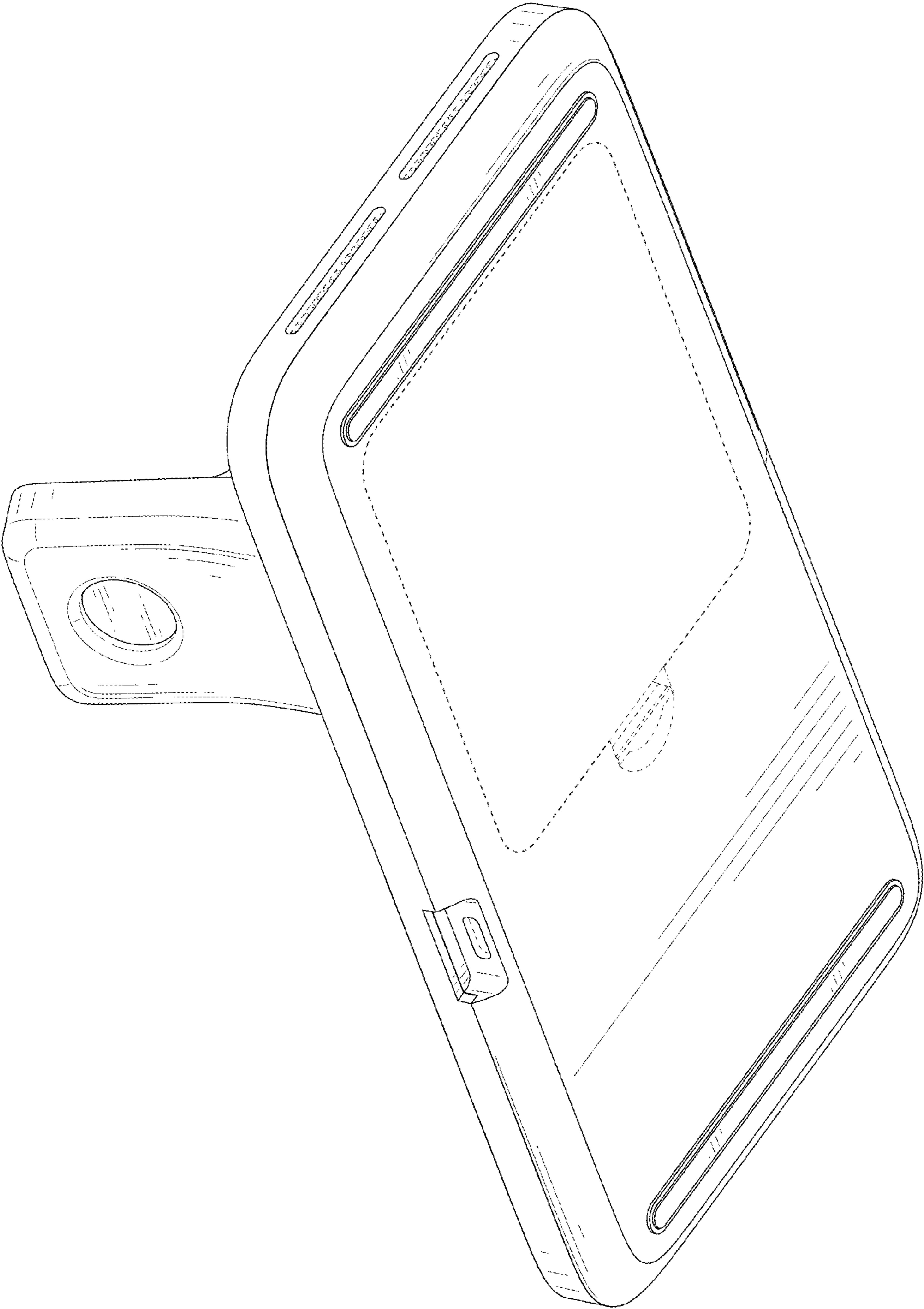


FIG. 2

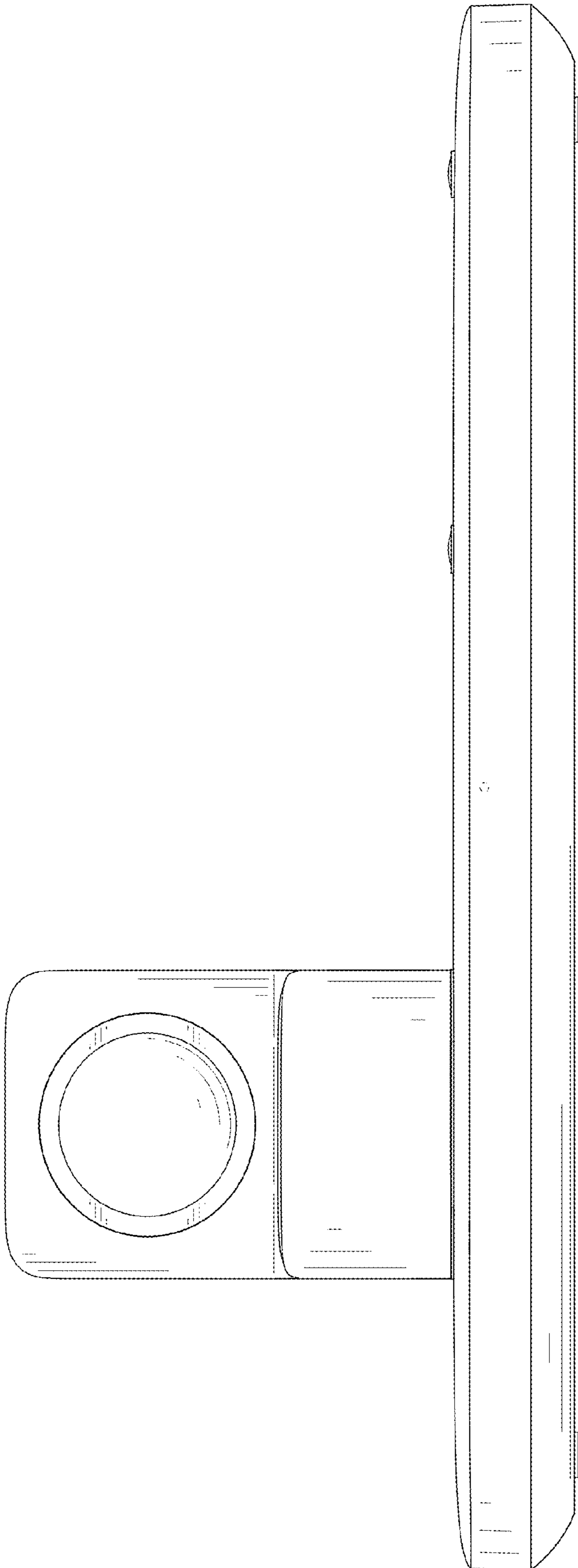


FIG. 3

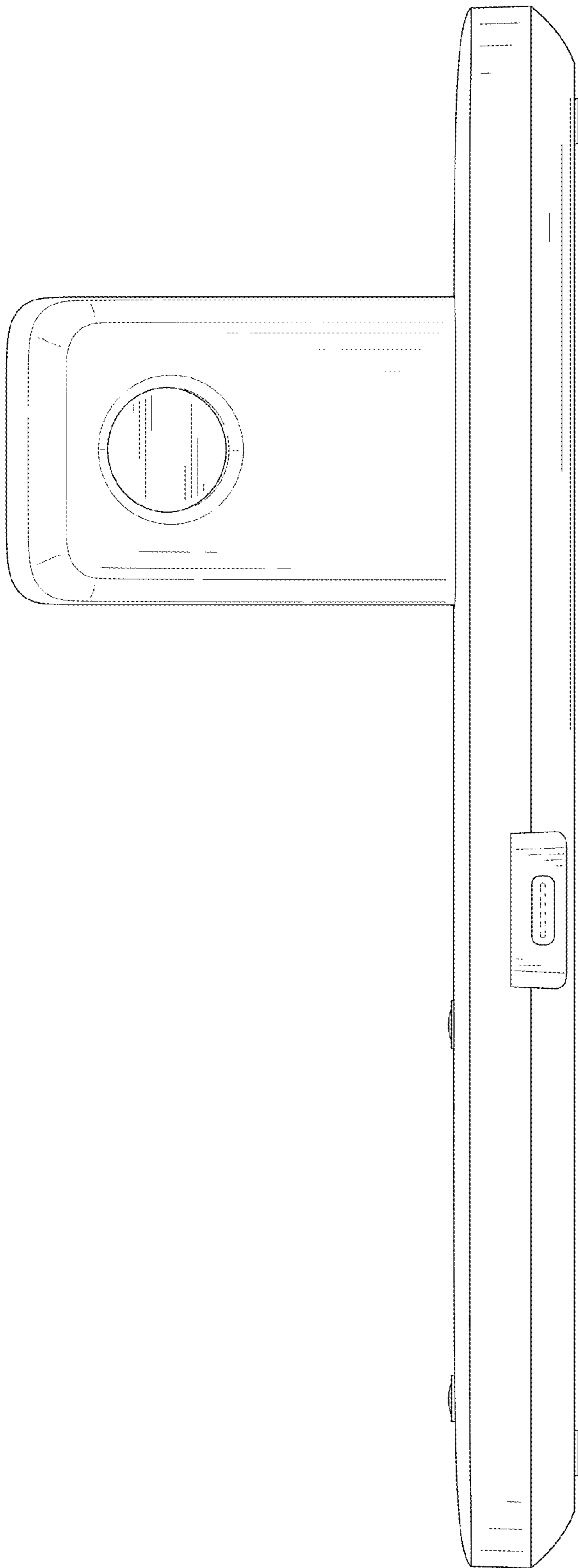


FIG. 4

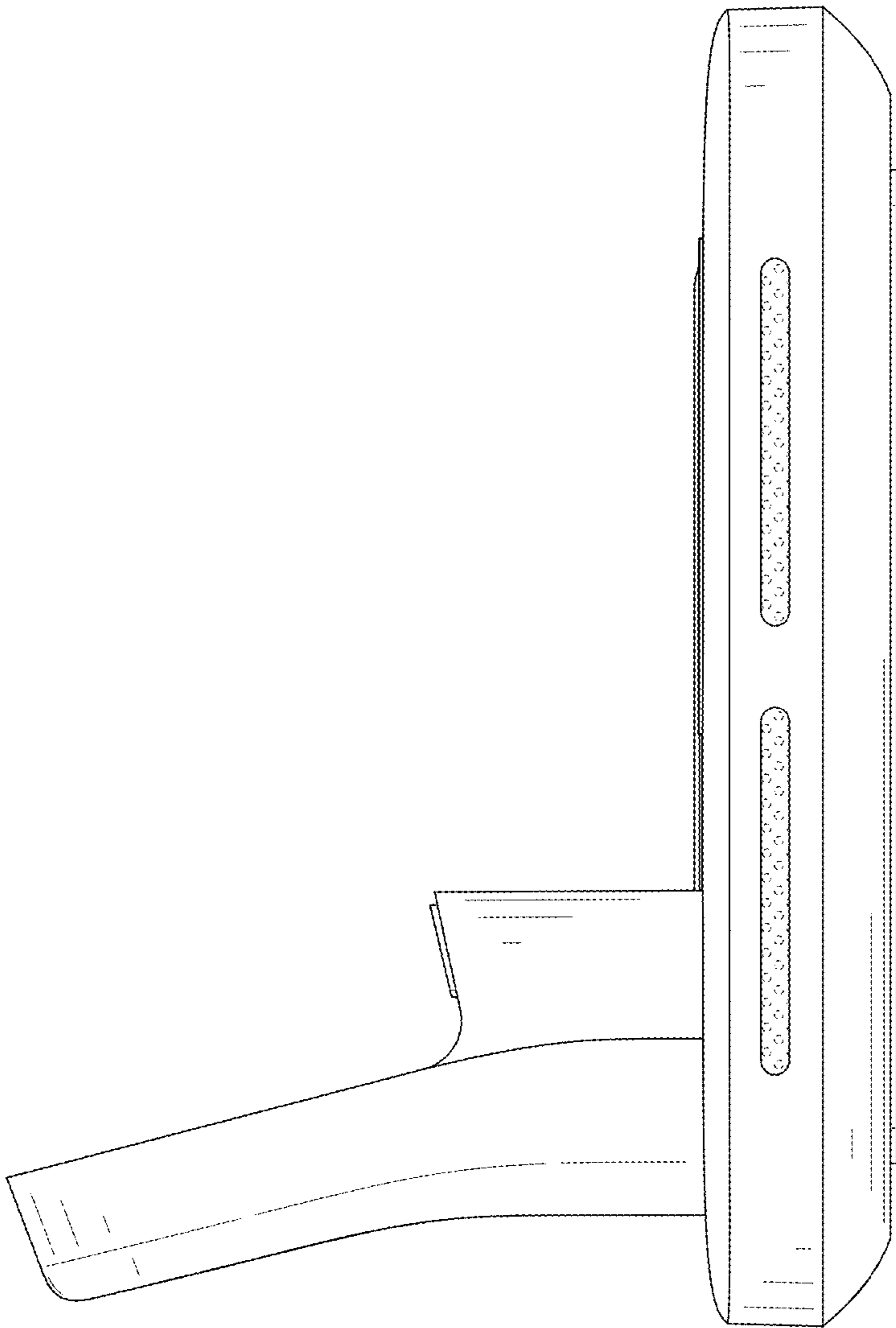


FIG. 5

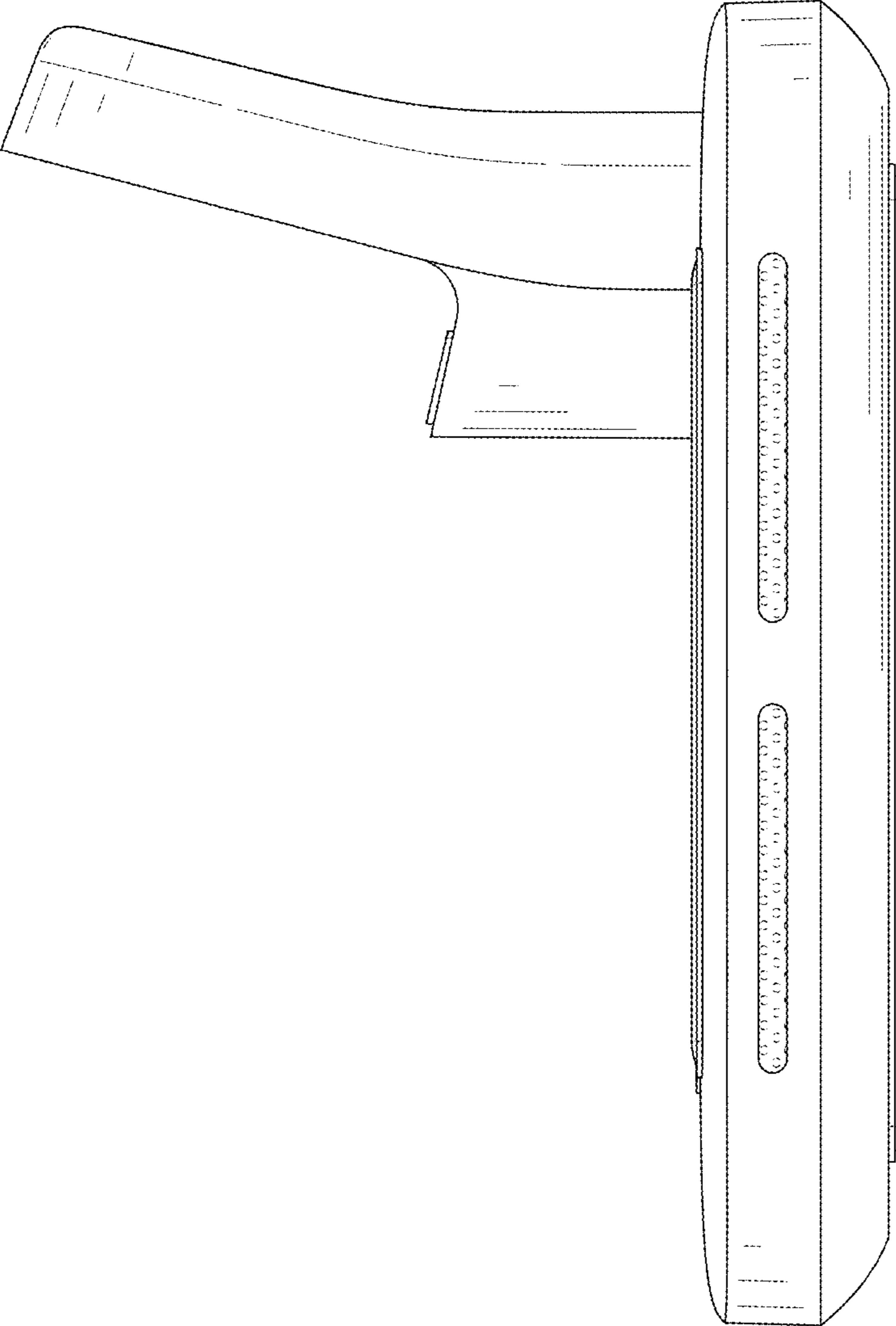


FIG. 6

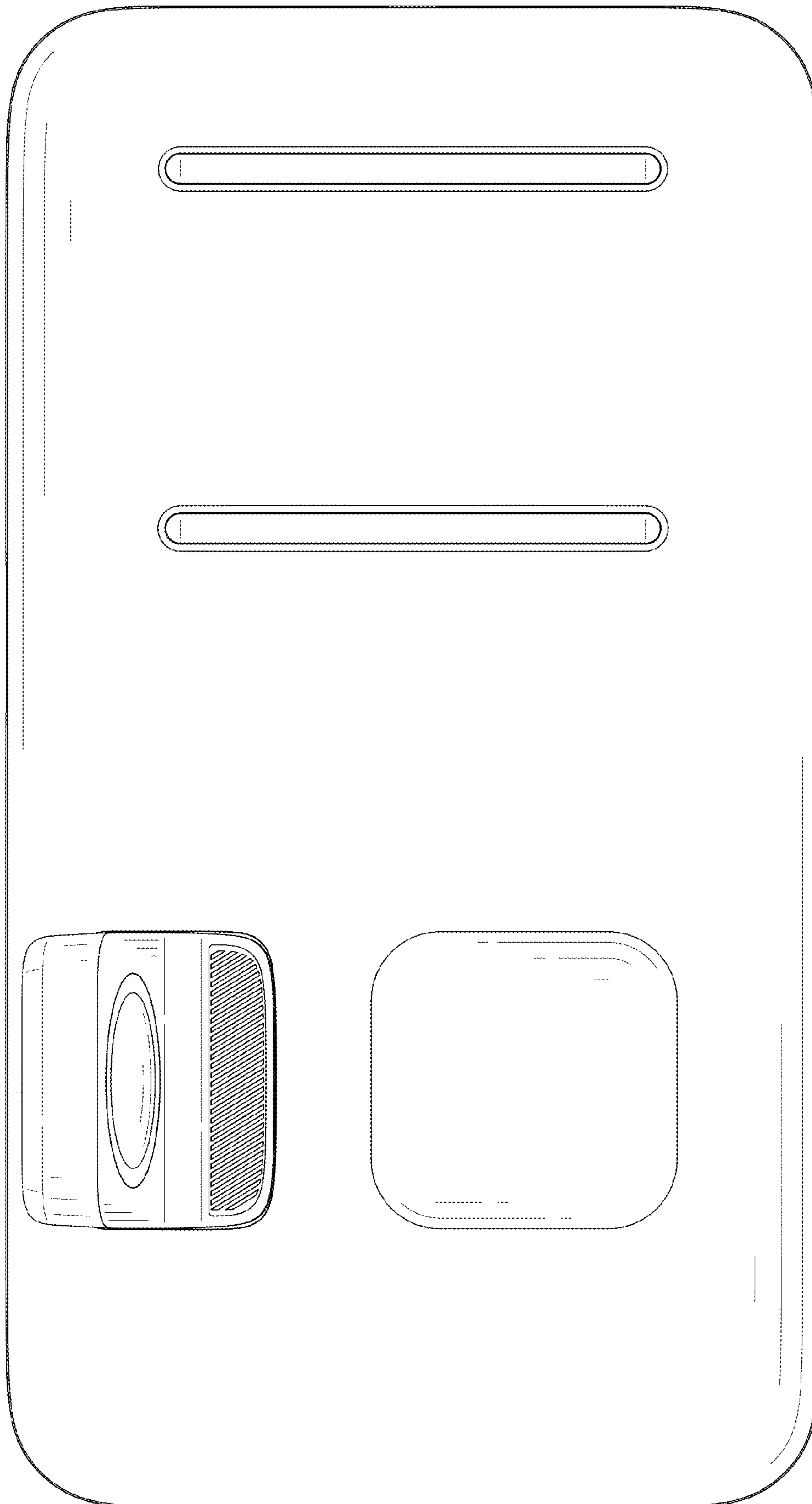


FIG. 7

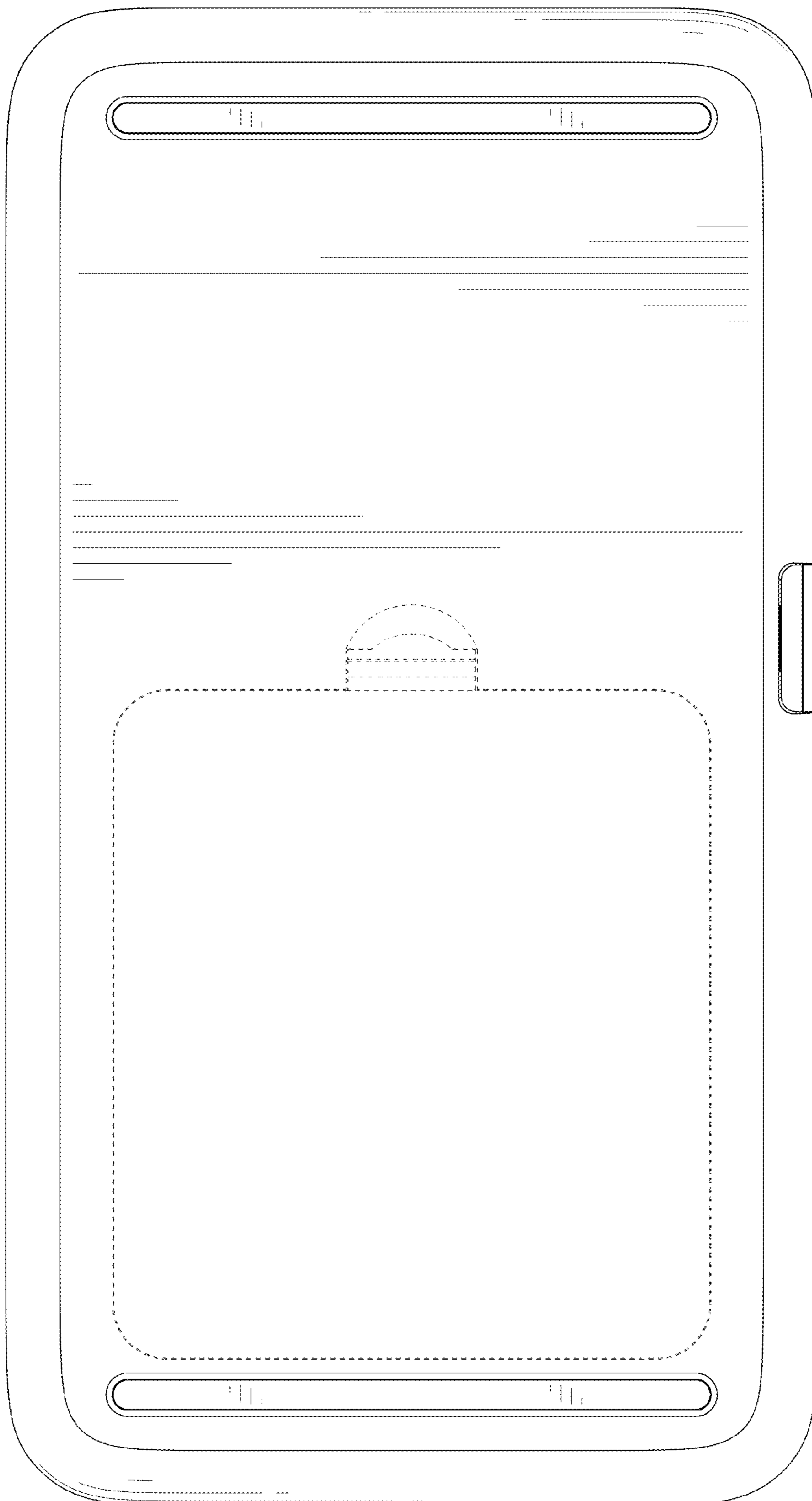


FIG. 8

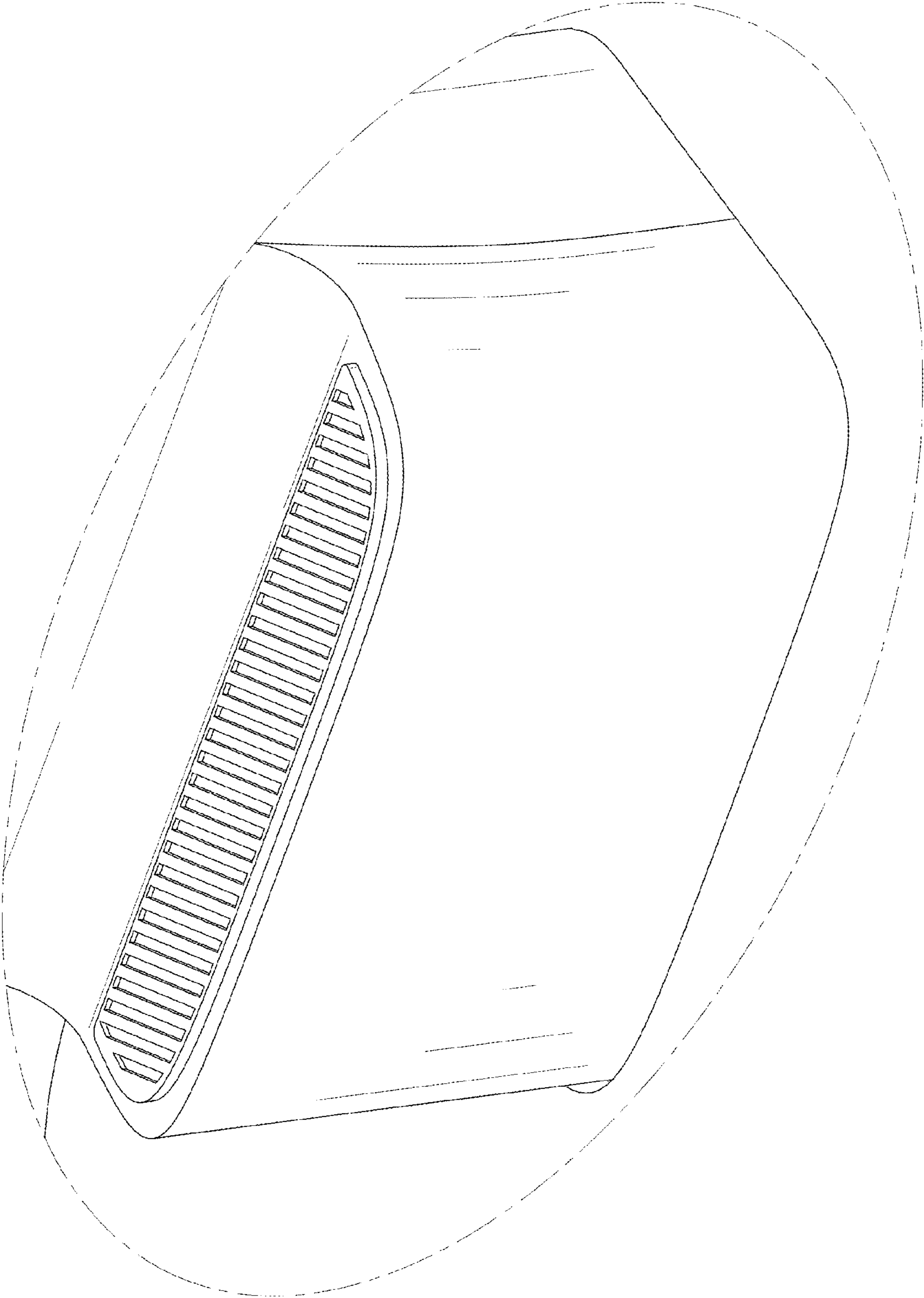


FIG. 9