



US00D952558S

(12) **United States Design Patent** (10) **Patent No.:** **US D952,558 S**
Naeem et al. (45) **Date of Patent:** **** May 24, 2022**

(54) **CHARGER**

(71) Applicant: **Fitbit, Inc.**, San Francisco, CA (US)
(72) Inventors: **Imaan Farhan Naeem**, Fremont, CA (US); **Brian Dennis Paschke**, San Francisco, CA (US); **Stephanie Lydia Renee Choplin**, San Francisco, CA (US)

(73) Assignee: **Fitbit, Inc.**, San Francisco, CA (US)

(**) Term: **15 Years**

(21) Appl. No.: **29/663,874**

(22) Filed: **Sep. 19, 2018**

(51) **LOC (13) Cl.** **13-02**

(52) **U.S. Cl.**
USPC **D13/108**

(58) **Field of Classification Search**
USPC D13/103, 107–110, 118–119, 184, 199;
D14/251, 253, 432, 434, 447
CPC H02J 7/025; H02J 7/005; H02J 7/0026;
H02J 7/0042; H02J 7/0044; H02J 7/0045;
H02J 7/0013; H02J 7/0003; H02J 7/02;
H02J 50/10; H02J 50/12
See application file for complete search history.

(56) **References Cited**

U.S. PATENT DOCUMENTS

D297,827 S	9/1988	Lay
D350,545 S	9/1994	Oikkola et al.
D417,431 S	12/1999	Okura et al.
D422,556 S	4/2000	Okura et al.
D428,597 S	7/2000	Murata et al.
D442,939 S	5/2001	Goldenburg
D455,713 S	4/2002	Forakis
D471,547 S	3/2003	Ruohonen
D477,823 S	7/2003	Lavello, Sr.
D516,023 S	2/2006	Quinn
D520,448 S	5/2006	Lodato et al.

D529,905 S	10/2006	Richter
D530,713 S	10/2006	Richter
D535,614 S	1/2007	Majanen et al.
D558,193 S	12/2007	Ju
7,311,526 B2	12/2007	Rohrbach et al.
D580,855 S	11/2008	Haspil et al.
D621,347 S	8/2010	Aulwes et al.

(Continued)

OTHER PUBLICATIONS

Fitbit Ace charging cable—<https://www.fitbit.com/shop/accessories/ace-charging-cable>. On sale 2018. Website accessed Mar. 27, 2019.

(Continued)

Primary Examiner — Rosemary K Tarcza

(74) *Attorney, Agent, or Firm* — Leason Ellis LLP

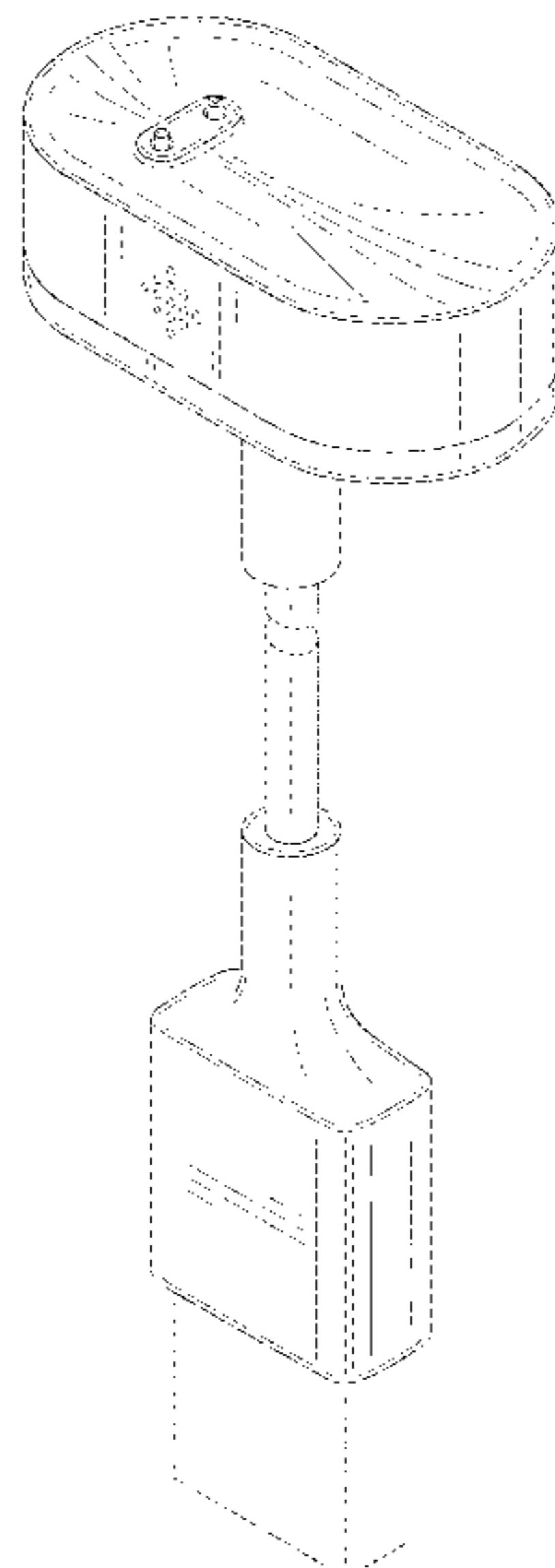
(57) **CLAIM**

The ornamental design for a charger, as shown and described.

DESCRIPTION

FIG. 1 is a top, left side isometric view of our new design for a charger.
FIG. 2 is a top side plan view of FIG. 1.
FIG. 3 is a bottom side plan view of FIG. 1.
FIG. 4 is a left side elevation view of FIG. 1.
FIG. 5 is a right side elevation view of FIG. 1.
FIG. 6 is a front side elevation view of FIG. 1.
FIG. 7 is a back side elevation view of FIG. 1; and,
FIG. 8 is an isometric view of the charger of FIG. 1 with the body of a smart watch attached for charging.
Contour is shown with line shading; no difference in color, texture or material is claimed unless expressly noted. The line shading represents contour, not surface decoration. The features shown in broken lines in the drawings depict environmental structure and portions of the charger that form no part of the claimed design.

1 Claim, 6 Drawing Sheets



(56)

References Cited

OTHER PUBLICATIONS

U.S. PATENT DOCUMENTS

D630,582 S 1/2011 Dai et al.
 D635,874 S 4/2011 Tseng et al.
 D637,155 S 5/2011 Jeon et al.
 D665,501 S 8/2012 Shibata et al.
 D673,952 S 1/2013 Toda et al.
 D680,491 S 4/2013 Paschke et al.
 D690,137 S 9/2013 Kikkert et al.
 D690,707 S 10/2013 Minn et al.
 D715,790 S 10/2014 Conomos et al.
 D720,759 S 1/2015 Deng et al.
 D723,459 S 3/2015 Dang et al.
 D725,285 S 3/2015 Wohlstadter et al.
 D727,877 S 4/2015 Seoc
 D731,967 S * 6/2015 Tuhkanen D13/108
 D733,142 S 6/2015 Solomon et al.
 D737,762 S * 9/2015 Aumiller D13/108
 D740,262 S 10/2015 Hasegawa et al.
 D761,262 S 7/2016 Solomon et al.
 D766,236 S 9/2016 Solomon et al.
 D766,747 S 9/2016 Repp
 D766,908 S 9/2016 Richter
 D770,416 S 11/2016 Tkachuk et al.
 D775,627 S 1/2017 Yang et al.
 D776,656 S 1/2017 Lagerstedt et al.
 D780,743 S 3/2017 Chun
 D782,415 S * 3/2017 Zhang D13/108
 D784,923 S 4/2017 Song
 D786,200 S 5/2017 Lagerstedt et al.
 D791,696 S 6/2017 Tinius
 D798,807 S * 10/2017 Shi D13/108
 D799,203 S 10/2017 Karl, IV et al.
 D800,060 S 10/2017 Solland et al.
 D816,046 S 4/2018 Kiong et al.
 D825,546 S 8/2018 Fan
 D829,652 S 10/2018 King et al.
 D832,306 S 10/2018 Liao
 D833,971 S 11/2018 Yun
 D845,960 S 4/2019 Yao et al.
 D847,801 S 5/2019 Wengreen
 D850,367 S * 6/2019 Xiong D13/108
 D850,372 S * 6/2019 Kong D13/108
 D854,006 S 7/2019 Wang et al.
 D855,567 S * 8/2019 Cai D13/108
 D877,069 S * 3/2020 Kern D13/108
 D884,616 S * 5/2020 Li D13/108
 D891,366 S * 7/2020 Xie D13/108
 D897,282 S * 9/2020 Ye D13/107
 D898,666 S * 10/2020 Alves D13/108
 D908,619 S * 1/2021 Chen D13/108
 D911,942 S * 3/2021 Park D13/108
 D926,680 S * 8/2021 Wang D13/108
 2016/0380446 A1 12/2016 Loewen
 2019/0319476 A1 * 10/2019 Hou F16B 2/22
 2020/0112207 A1 * 4/2020 Piercey H02J 50/80

Fitbit Ace 2 charging cable—<https://www.fitbit.com/shop/accessories/inspire-ace2-charging-cable>. On sale Mar. 2019 Website accessed Mar. 27, 2019.
 Fitbit Alta charging cable—<https://www.fitbit.com/shop/accessories/alta-charging-cable>. On sale Feb. 2016 Website accessed Mar. 27, 2019.
 Fitbit Alta HR charging cable—<https://www.fitbit.com/shop/accessories/altahr-charging-cable>. On sale Mar. 2017. Website accessed Mar. 27, 2019.
 Fitbit Blaze charging cable—<https://www.fitbit.com/shop/accessories/blaze-charging-cable>. On sale Jan. 2016 Website accessed Mar. 27, 2019.
 Fitbit Charge charging cable—<https://www.fitbit.com/shop/accessories/charge-charging-cable>. On sale Nov. 2014. Website accessed Mar. 27, 2019.
 Fitbit Charge2 charging cable—<https://www.fitbit.com/shop/accessories/charge2-charging-cable>. On sale 2016. Website accessed Mar. 27, 2019.
 Fitbit Charge3 charging cable—<https://www.fitbit.com/shop/accessories/charge3-charging-cable>. On sale 2018. Website accessed Mar. 27, 2019.
 Fitbit ChargeHR charging cable—<https://www.fitbit.com/shop/accessories/chargehr-charging-cable>. On sale Jan. 2015. Website accessed Mar. 27, 2019.
 Fitbit Flex charging cable—<https://www.fitbit.com/shop/accessories/flex-charging-cable>. On sale May 2013. Website accessed Mar. 27, 2019.
 Fitbit Flex 2 charging cable—<https://www.fitbit.com/shop/accessories/flex2-charging-cable>. On sale Oct. 2016. Website accessed Mar. 27, 2019.
 Fitbit Ionic charging cable—<https://www.fitbit.com/shop/accessories/ionic-charging-cable>. On sale Sep. 2017. Website accessed Mar. 27, 2019.
 Fitbit One charging cable—<https://www.fitbit.com/shop/accessories/one-charging-cable>. On sale Sep. 2012. Website accessed Mar. 27, 2019.
 Fitbit Surge charging cable—<https://www.fitbit.com/shop/accessories/surge-charging-cable>. On sale Oct. 2014. Website accessed Mar. 27, 2019.
 Fitbit Versa charging cable—<https://www.fitbit.com/shop/accessories/versa-charging-cable>. On sale Apr. 2018. Website accessed Mar. 27, 2019.
 Design U.S. Appl. No. 29/656,560, filed Jul. 13, 2018.
 Design U.S. Appl. No. 29/627,003, filed Sep. 19, 2018.
 Design U.S. Appl. No. 29/683,052, filed Mar. 11, 2019.
 Design U.S. Appl. No. 29/630,648, filed Dec. 21, 2017.
 Design U.S. Appl. No. 29/630,650, filed Dec. 21, 2017.

* cited by examiner

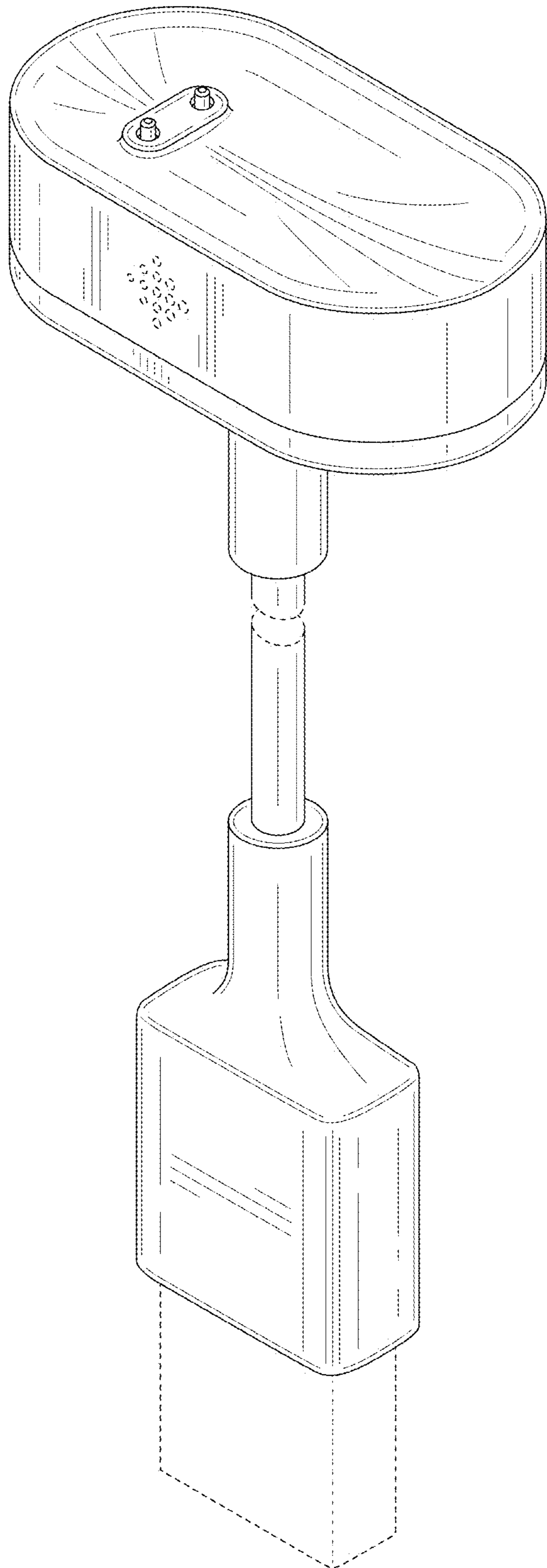


FIG. 1

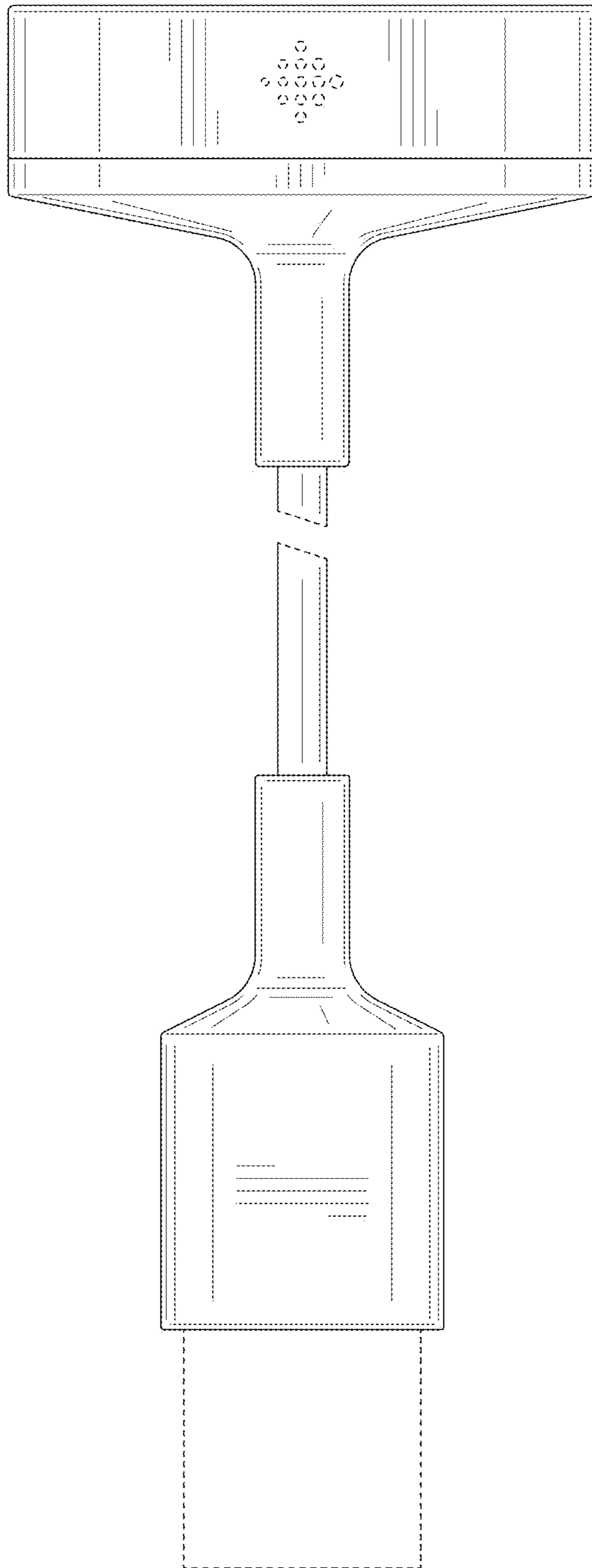


FIG. 2

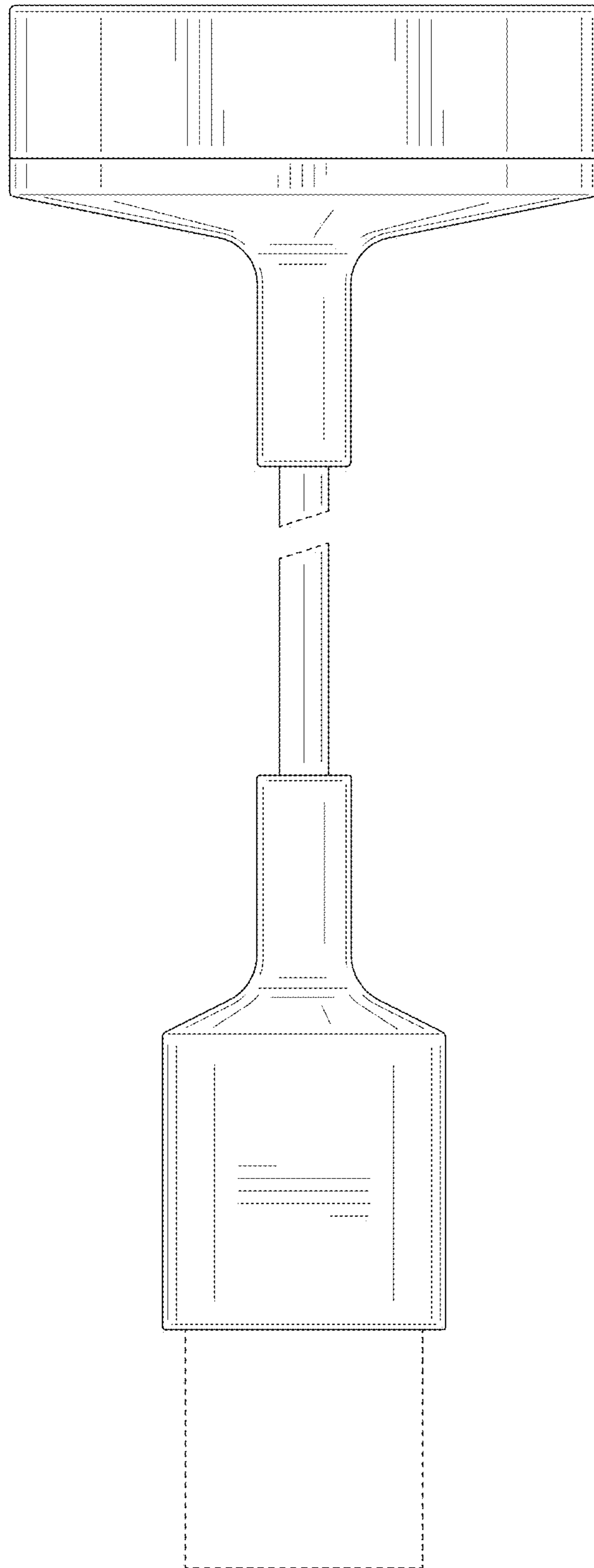


FIG. 3

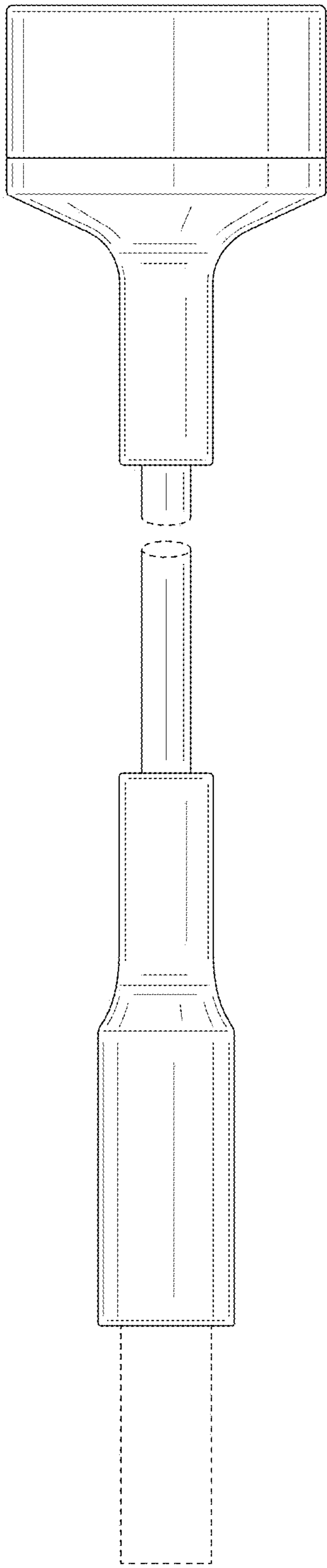


FIG. 4

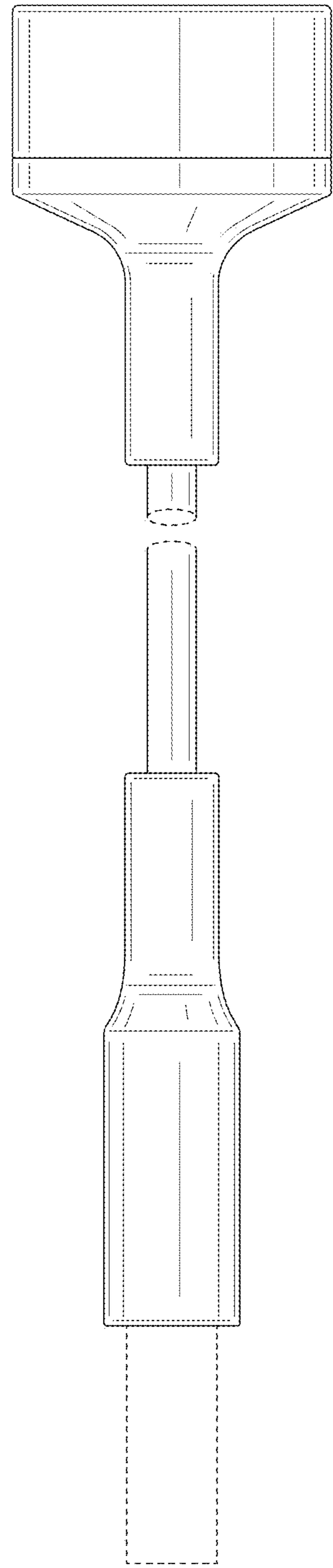


FIG. 5

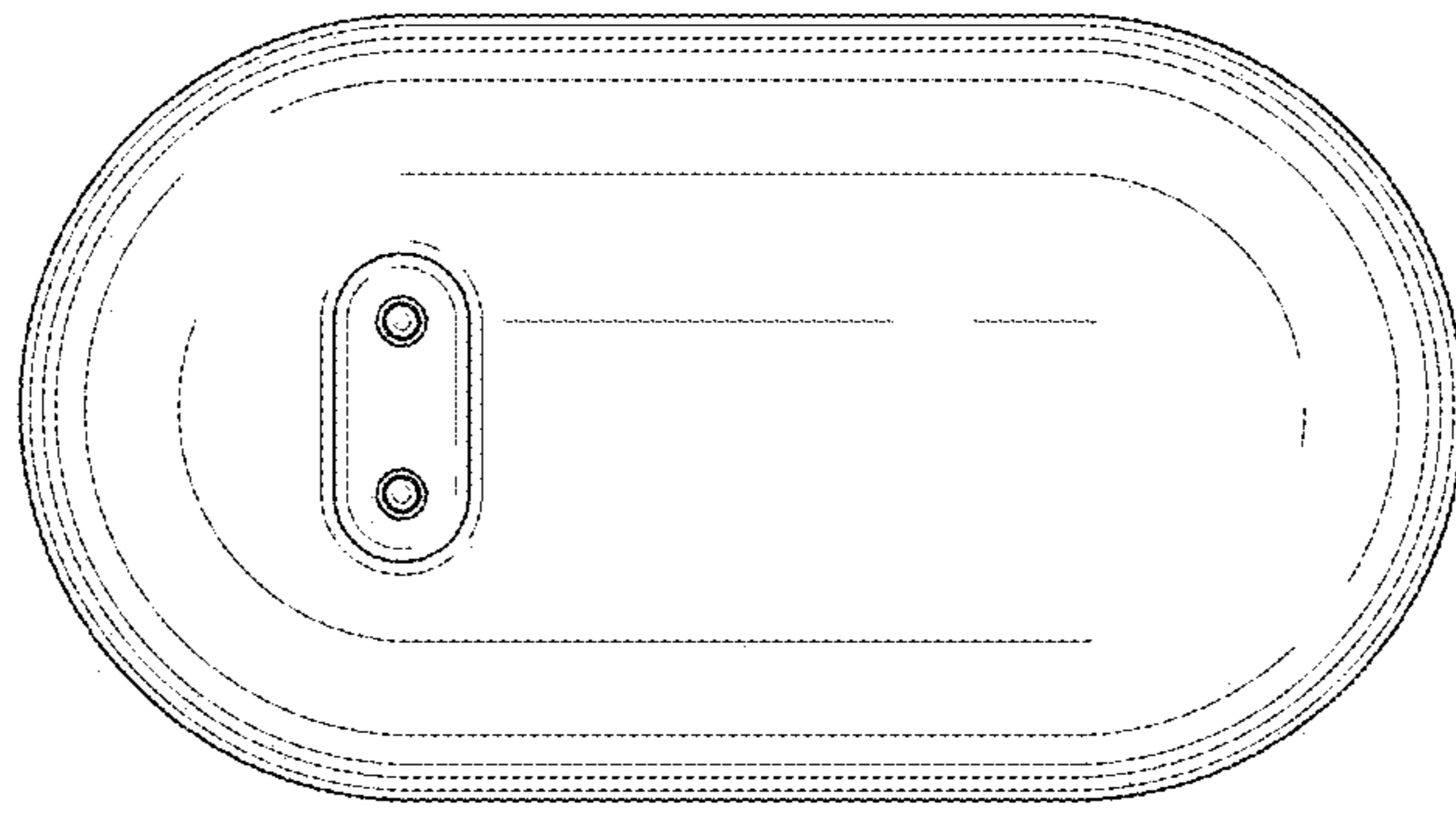


FIG. 6

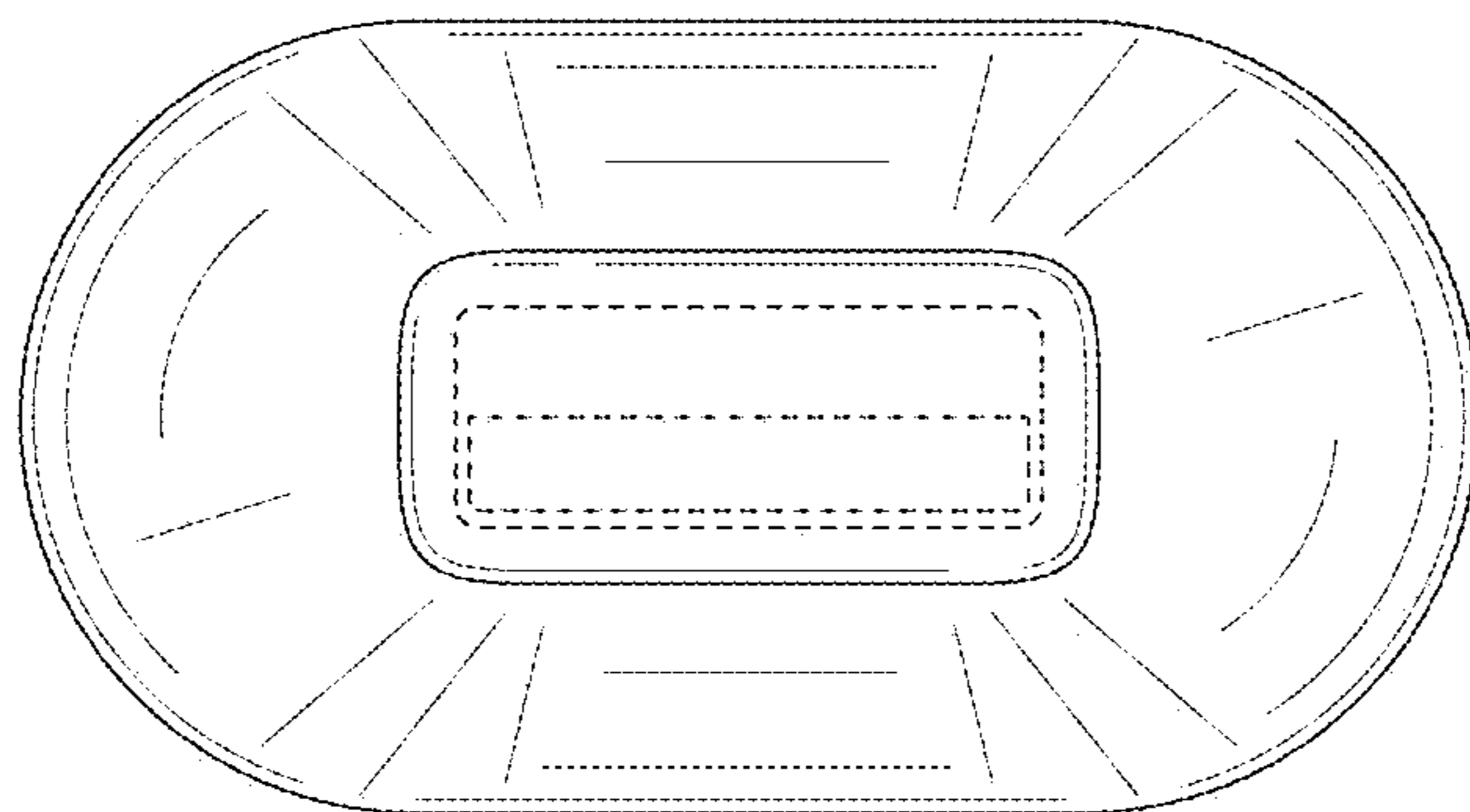


FIG. 7

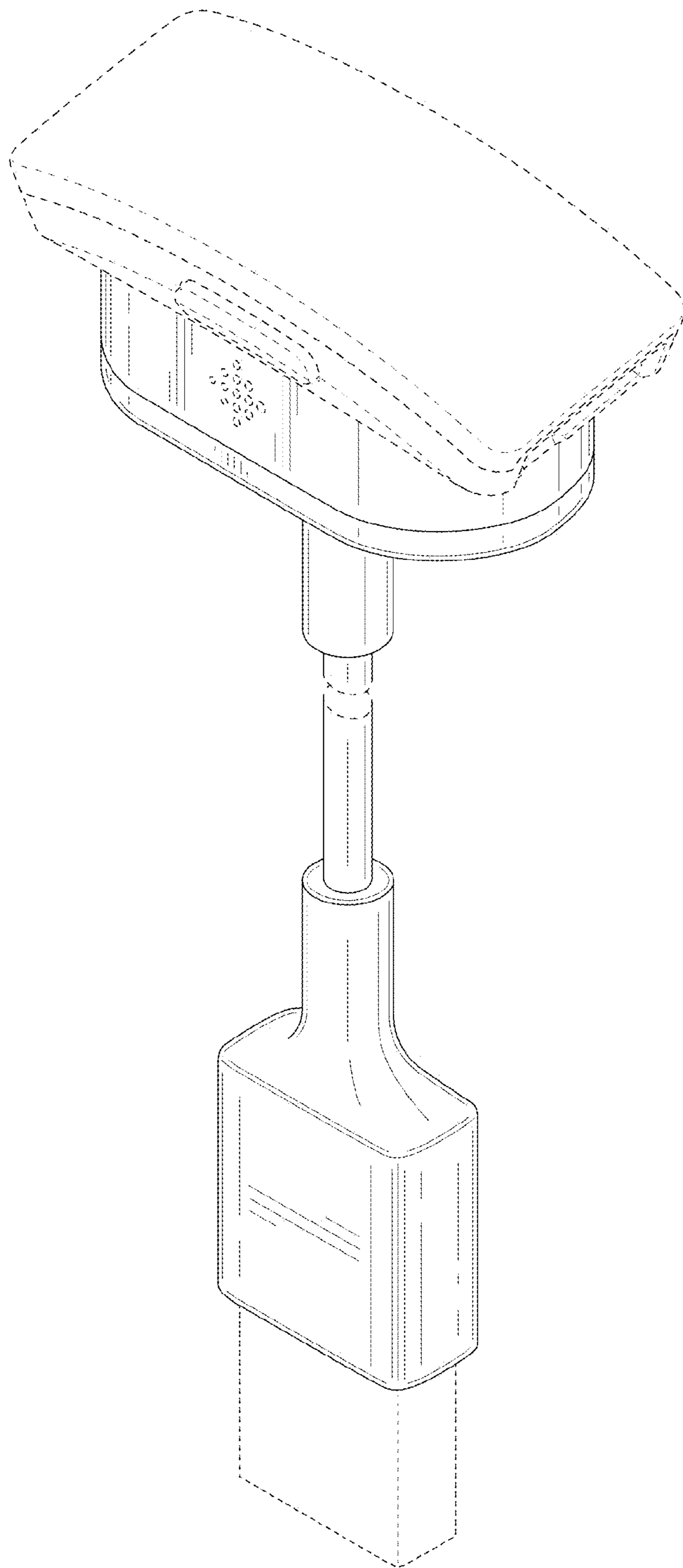


FIG. 8