



US00D952557S

(12) **United States Design Patent** (10) **Patent No.:** **US D952,557 S**
Lin (45) **Date of Patent:** **** May 24, 2022**

(54) **PORTABLE POWER STATION**

- (71) Applicant: **Rongsong Lin**, Guangdong (CN)
- (72) Inventor: **Rongsong Lin**, Guangdong (CN)
- (73) Assignee: **Shenzhen Feichi Electronics Co., Ltd.**, Guangdong (CN)

(**) Term: **15 Years**

(21) Appl. No.: **29/747,851**

(22) Filed: **Aug. 26, 2020**

(51) **LOC (13) Cl.** **13-02**

(52) **U.S. Cl.**
USPC **D13/107**

(58) **Field of Classification Search**
USPC D13/103, 106, 107, 108, 109, 110, 112,
D13/114, 116, 118, 119, 184, 199
CPC H01M 10/46; H02J 7/0044; F02B 63/04
See application file for complete search history.

(56) **References Cited**

U.S. PATENT DOCUMENTS

D506,724 S *	6/2005	Hriscu	D13/107
D527,340 S *	8/2006	Christiani	D13/107
D527,341 S *	8/2006	Krieger	D13/107
D805,029 S *	12/2017	Zhao	D13/107
D821,313 S *	6/2018	Yang	D13/110
10,424,943 B2 *	9/2019	Wang	B65D 43/163
D874,397 S *	2/2020	Sun	D13/107
D875,037 S *	2/2020	Hung	D13/107
D899,357 S *	10/2020	Liu	D13/107
D916,011 S *	4/2021	Finocchiaro	D13/107
2016/0153626 A1 *	6/2016	Ozaka	H02J 7/342 362/86
2016/0285295 A1 *	9/2016	Marinov	H02J 7/007
2019/0013686 A1 *	1/2019	Ma	H02J 7/0045

FOREIGN PATENT DOCUMENTS

CN 201730389451 * 3/2018

OTHER PUBLICATIONS

“EcoFlow Power Station”. Found online Oct. 15, 2021 at reviewgeek.com. Reference dated Mar. 7, 2018. Retrieved from <https://www.reviewgeek.com/2397/river-power-station-review-a-perfect-power-source-for-emergencies-and-more/>. (Year: 2018).*

“NrgGo Portable Power Station”. Found online Aug. 24, 2021 at amazon.com. Reference dated Dec. 8, 2019. Retrieved from <https://www.amazon.com/dp/B07YJ3XMGT?tag=theenergyfixart-20&linkCode=ogi&th=1&psc=1>. (Year: 2019).*

“KYNG Portable Power Station”. Found online Aug. 24, 2021 at amazon.com. Reference dated Dec. 1, 2019. Retrieved from <https://www.amazon.com/Kyng-Power-Generator-Emergency-Rechargeable/dp/B07SVL2CP3>. (Year: 2019).*

* cited by examiner

Primary Examiner — Kendra Leslie Hamilton
Assistant Examiner — Amanda Christensen

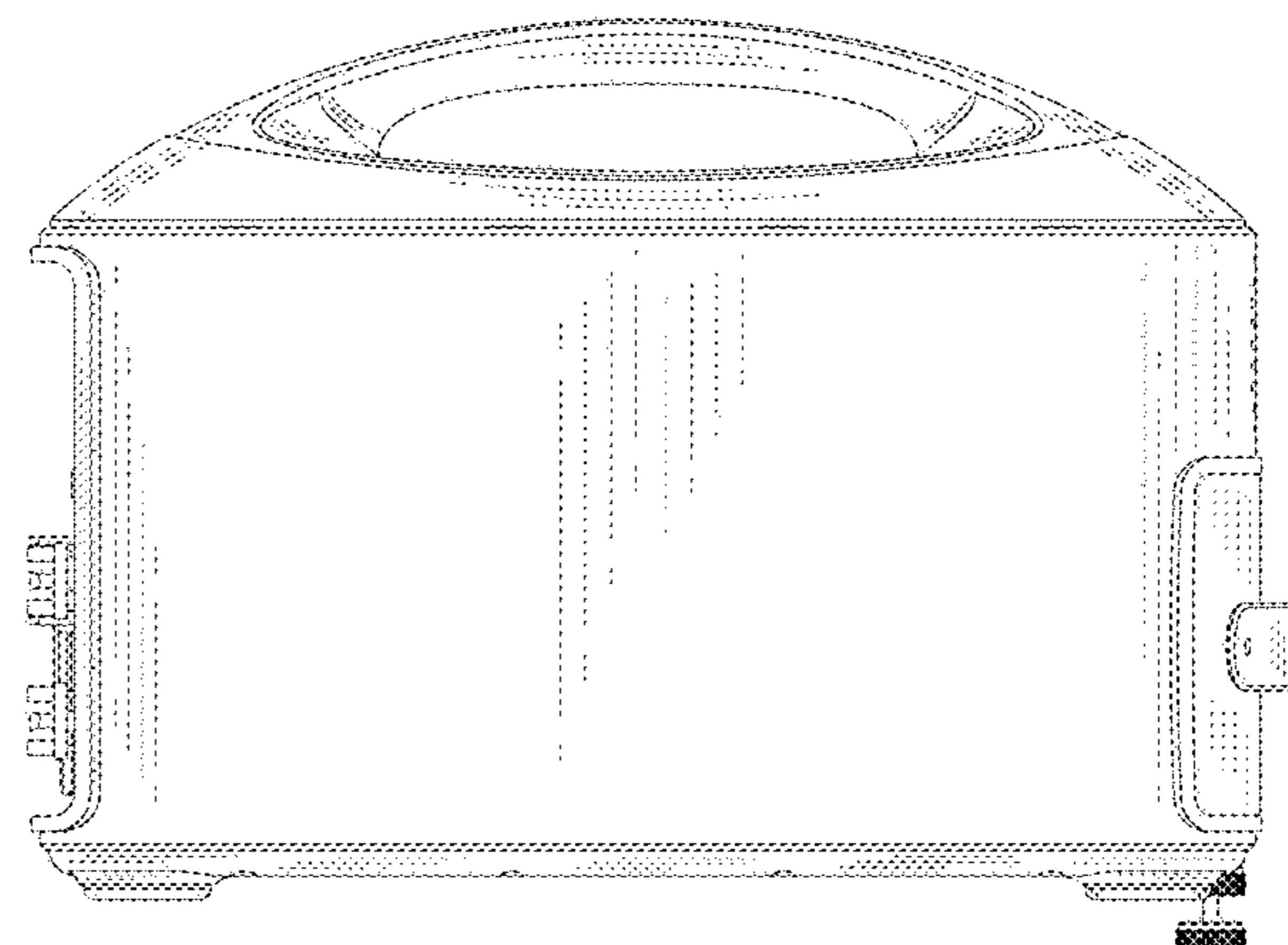
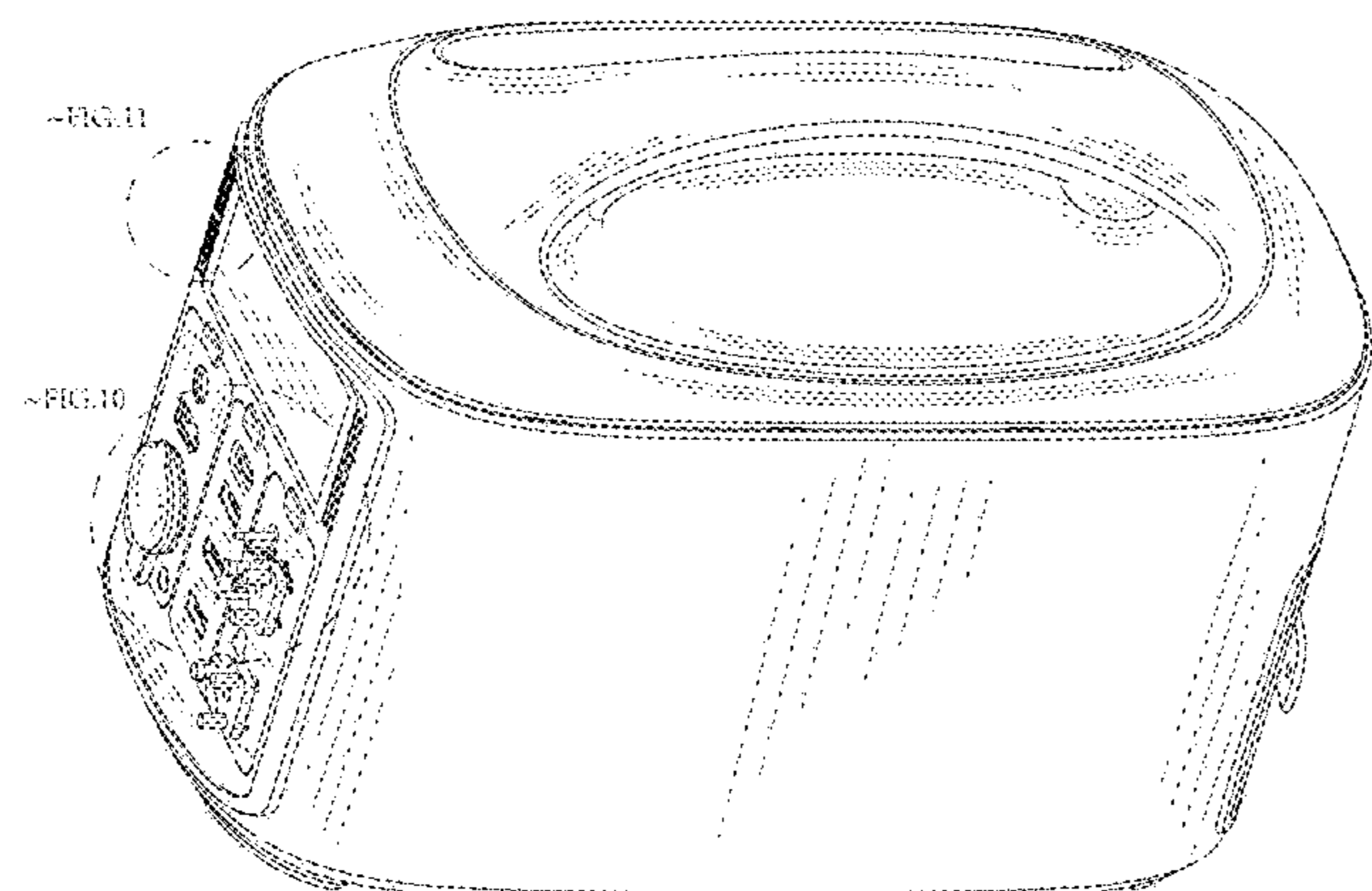
(57) **CLAIM**

The ornamental design for a portable power station, as shown and described.

DESCRIPTION

FIG. 1 is a top, front, left side perspective view of a portable power station, showing my new design;
 FIG. 2 is a front elevation view thereof;
 FIG. 3 is a rear elevation view thereof;
 FIG. 4 is a left side elevation view thereof;
 FIG. 5 is a right side elevation view thereof;
 FIG. 6 is a top plan view thereof;
 FIG. 7 is a bottom plan view thereof;
 FIG. 8 is an enlarged left side detail view of the portable power station of FIG. 4;
 FIG. 9 is an enlarged left side enlarged detail view thereof;
 FIG. 10 is an enlarged top, front, left side detail view of the portable power station of FIG. 1; and,
 FIG. 11 is an enlarged top, front, left side detail view thereof.

1 Claim, 11 Drawing Sheets



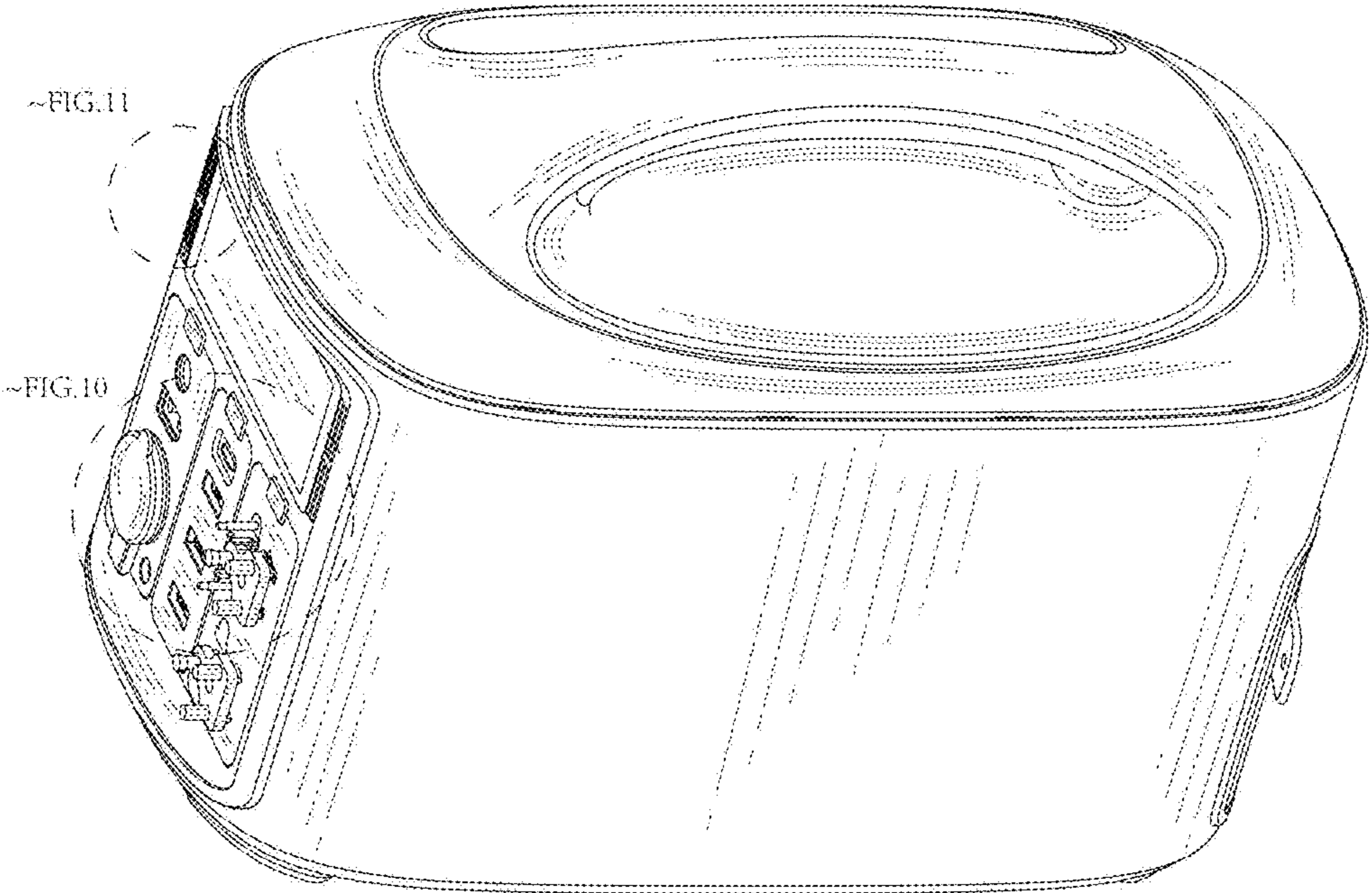


FIG.1

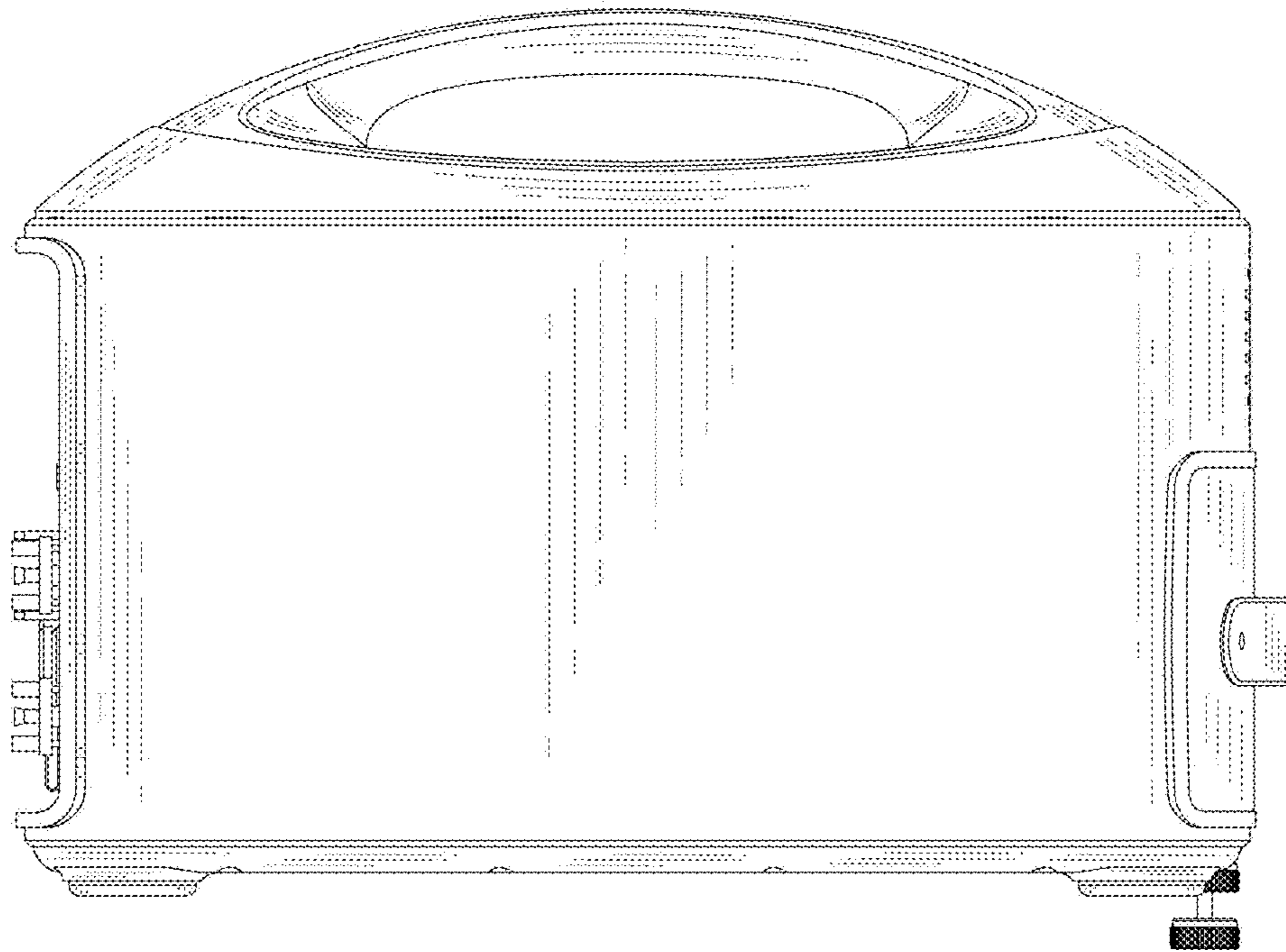


FIG.2

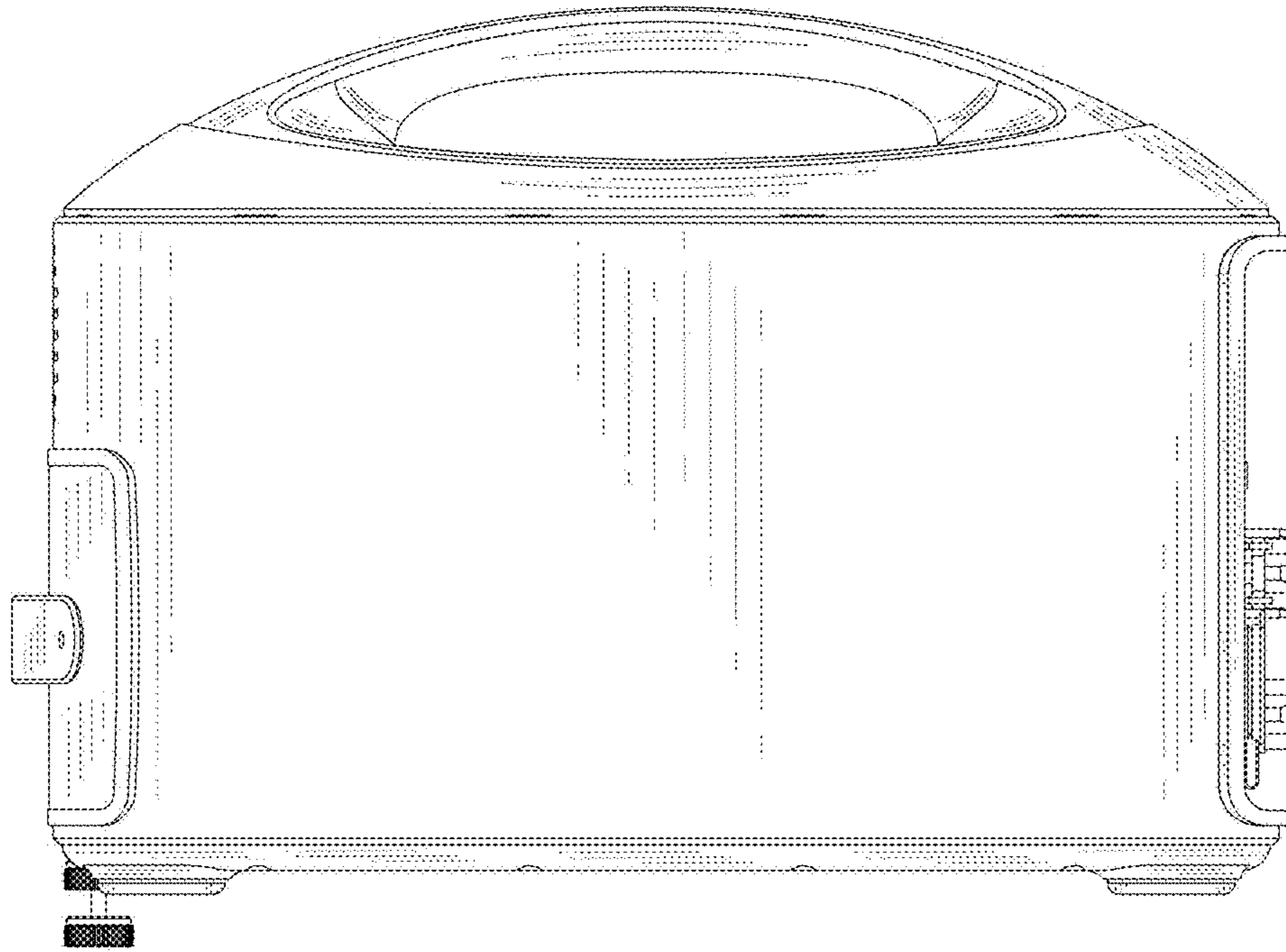


FIG.3

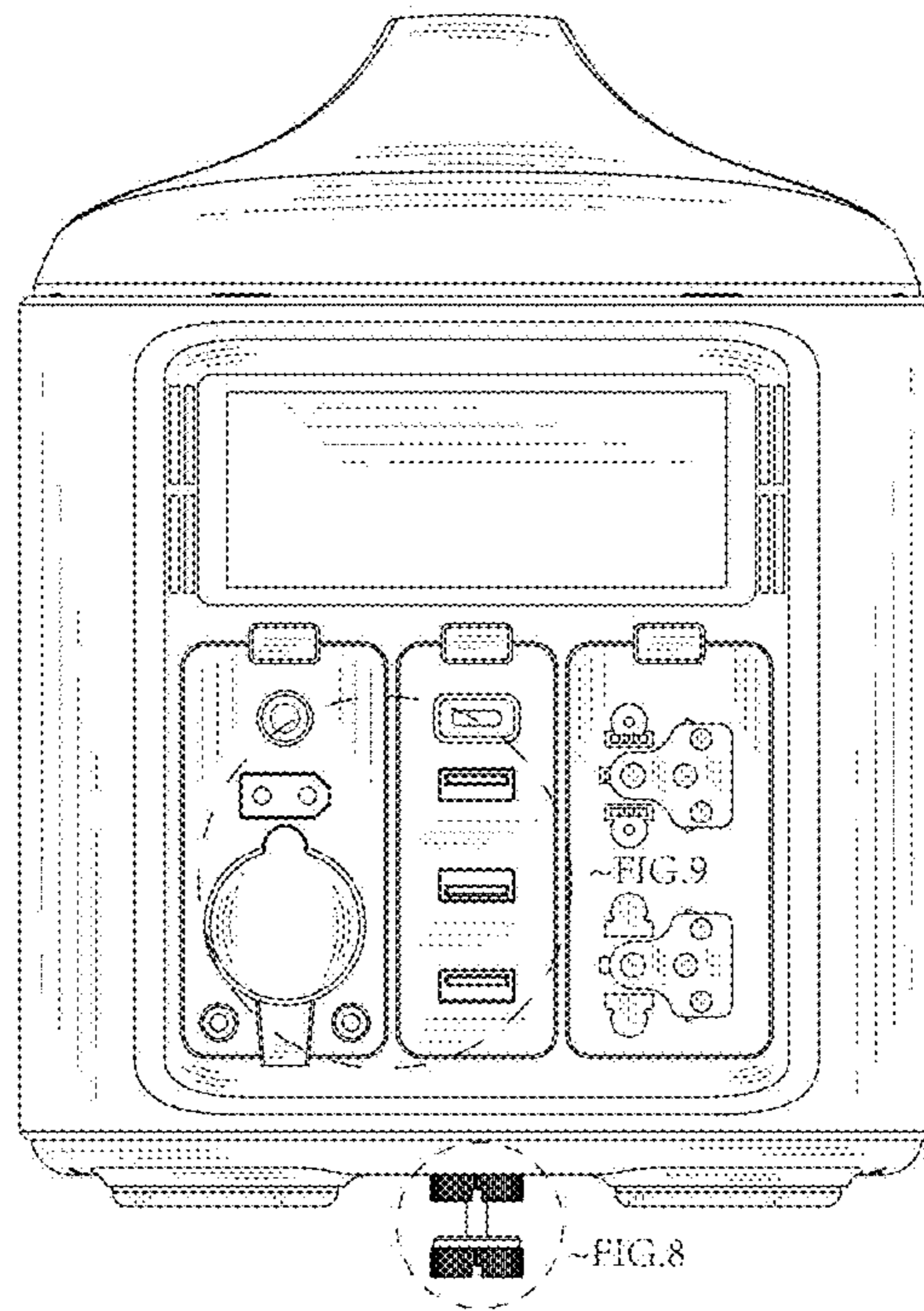


FIG.4

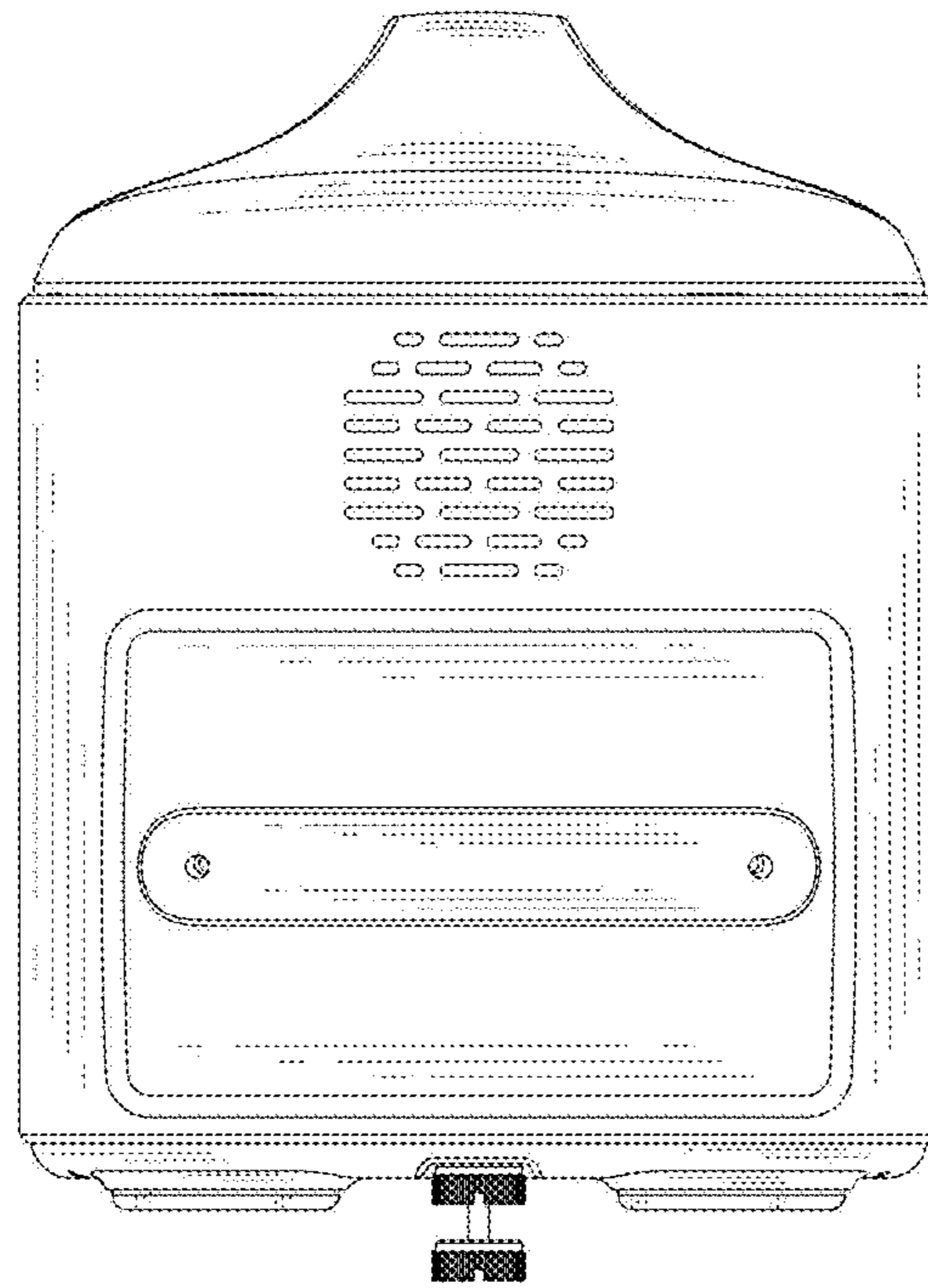


FIG.5

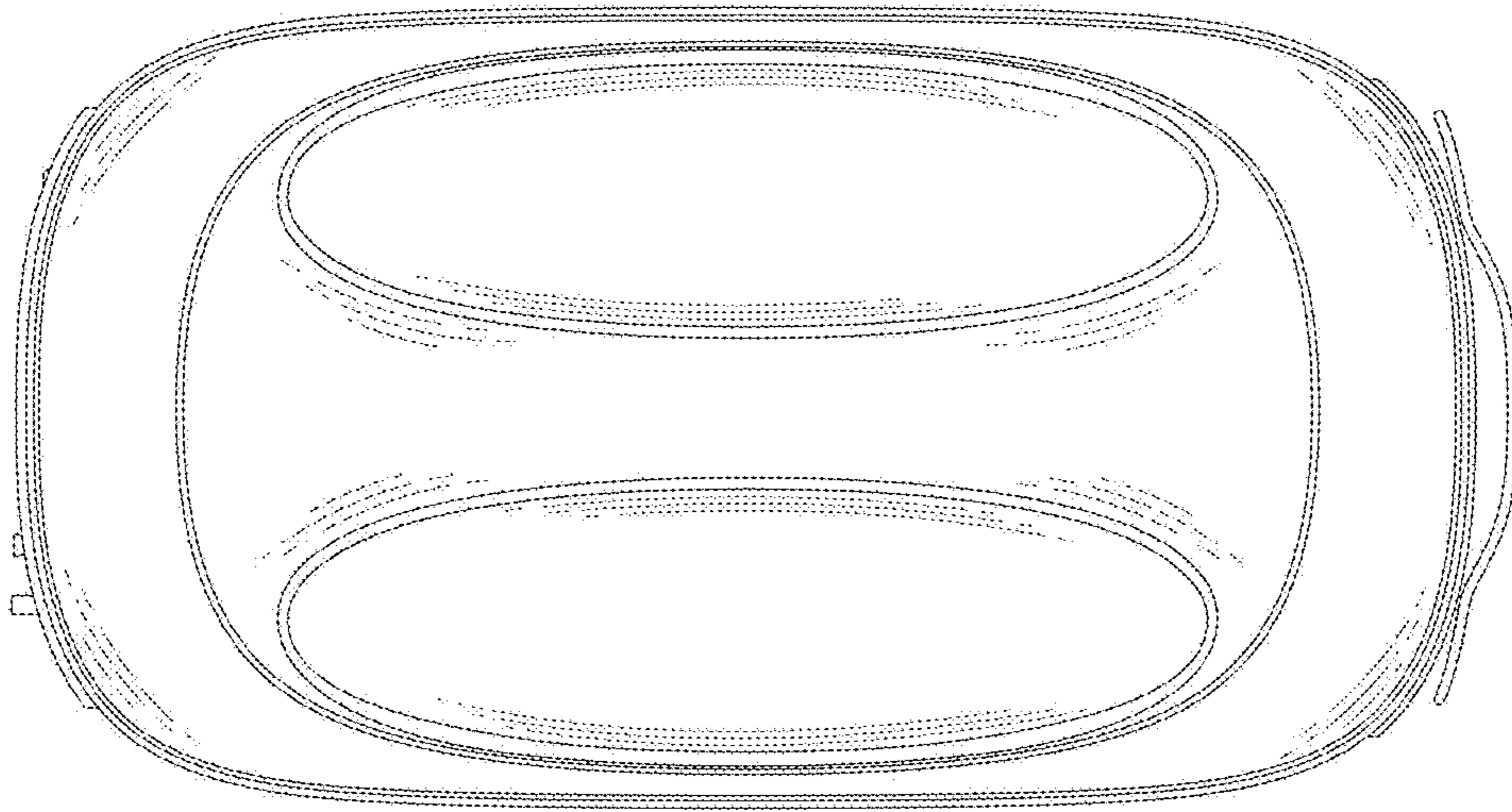


FIG.6

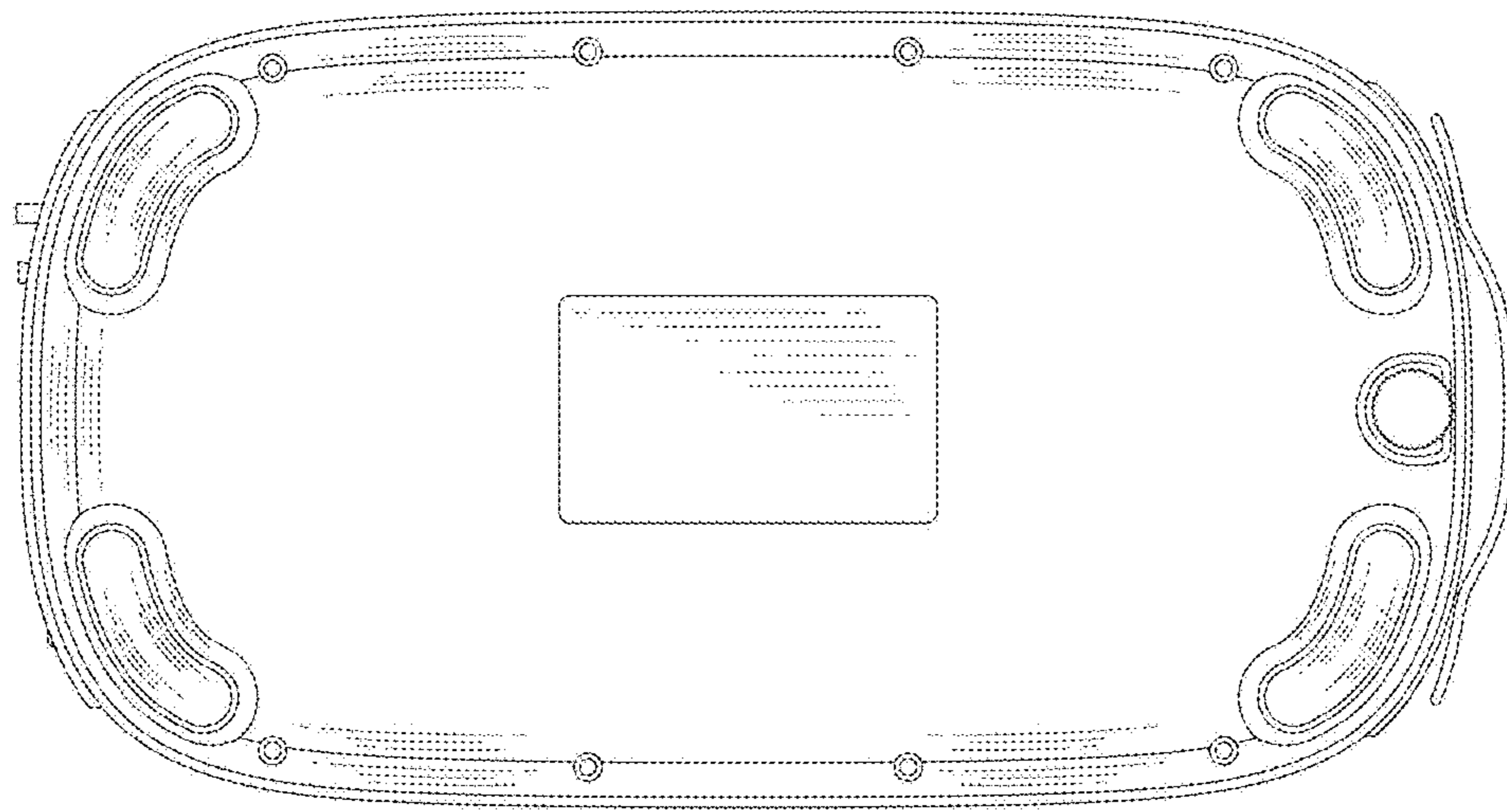


FIG. 7

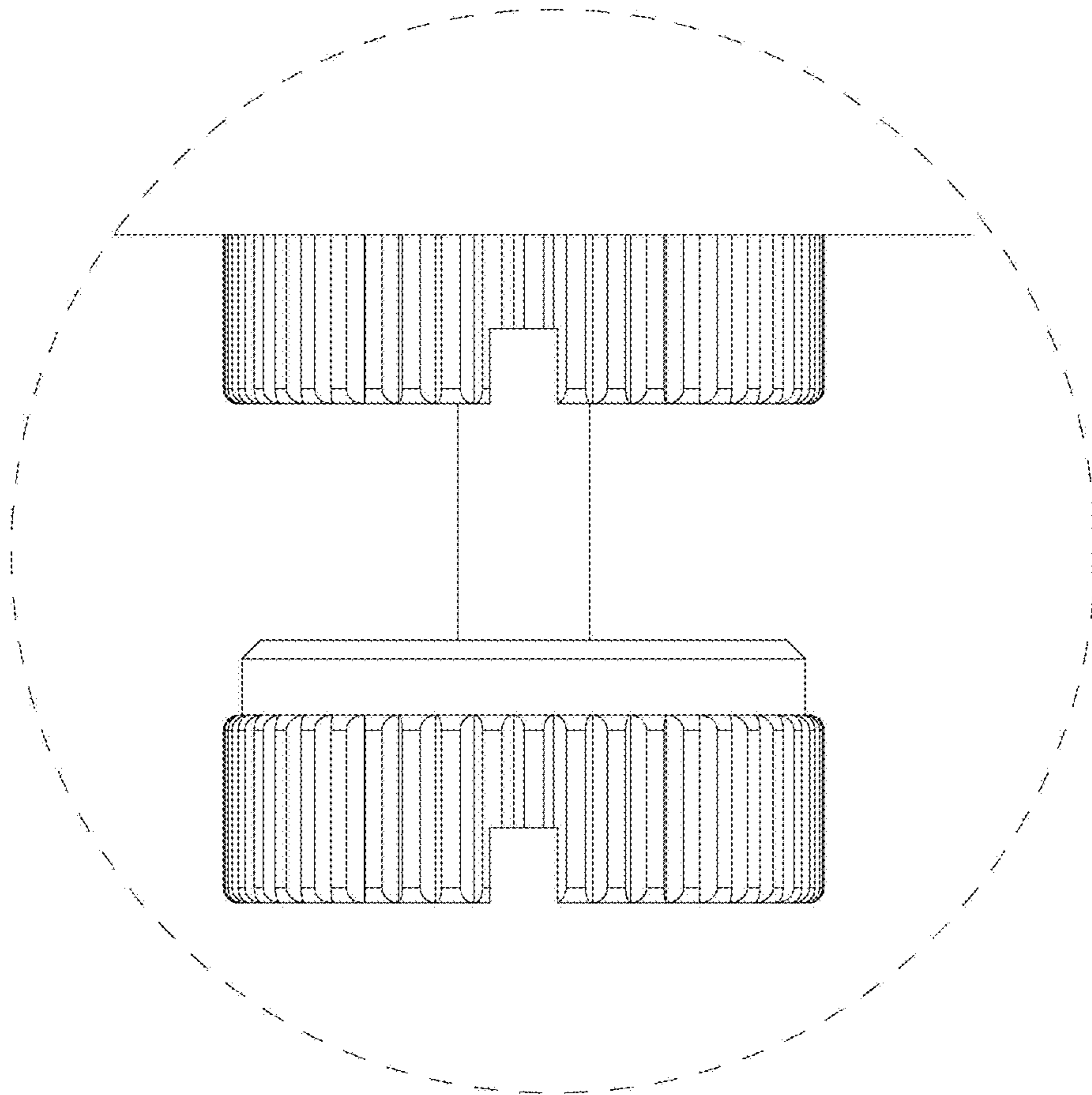


FIG. 8

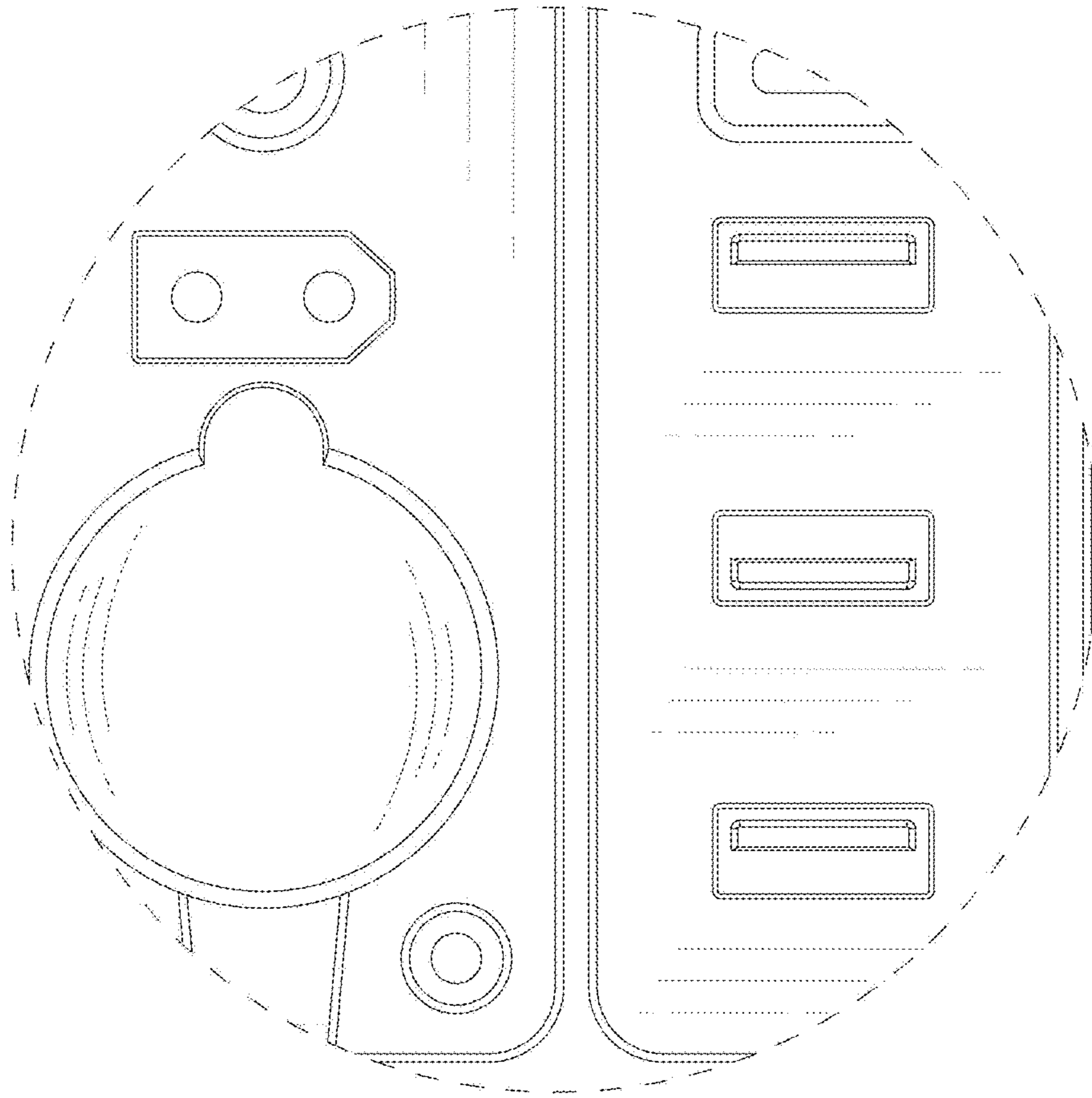


FIG. 9

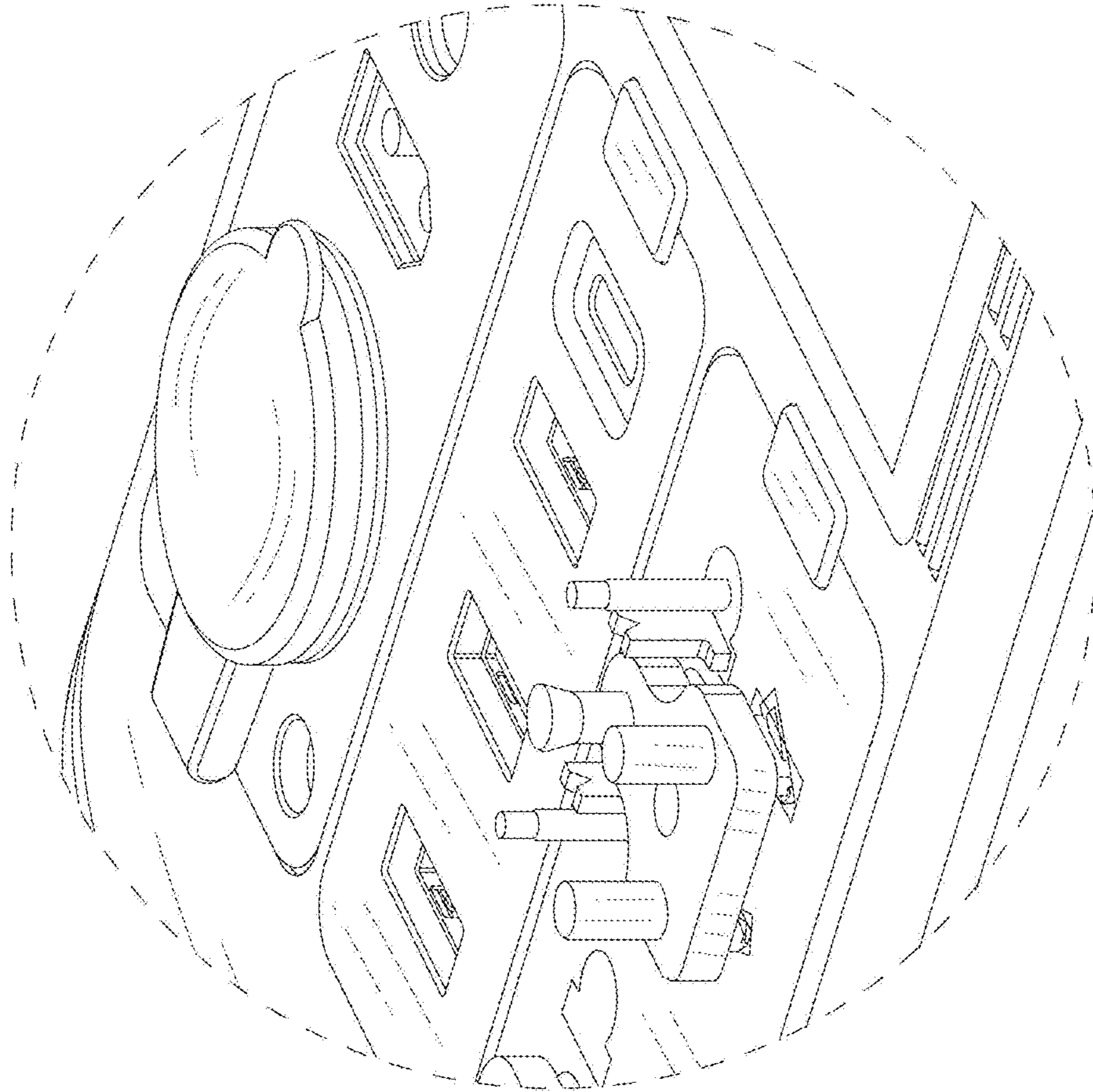


FIG. 10

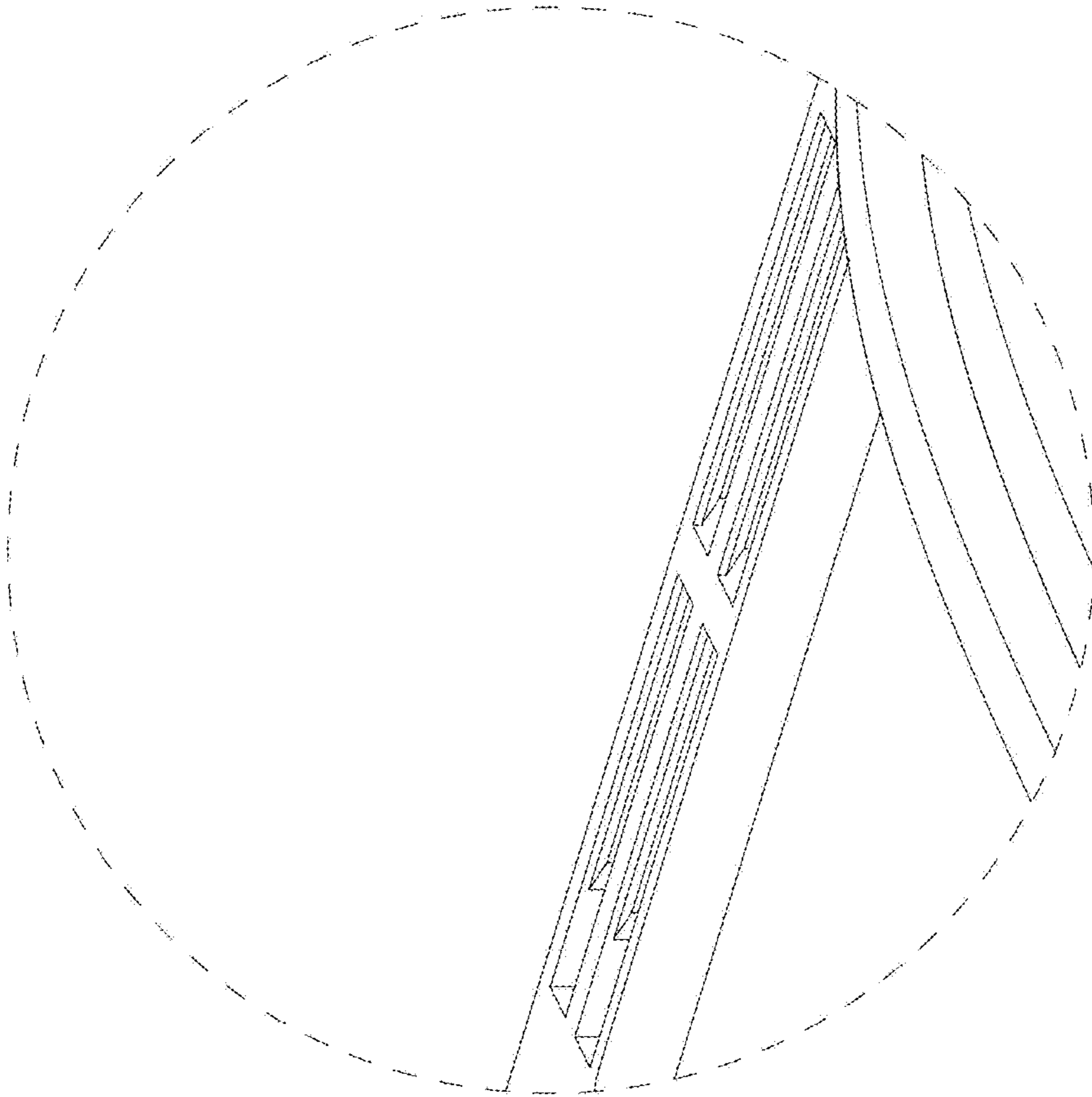


FIG. 11