



US00D952555S

(12) **United States Design Patent**
Cheng

(10) **Patent No.:** **US D952,555 S**

(45) **Date of Patent:** **** May 24, 2022**

(54) **CHARGING DEVICE FOR AN ELECTRIC VEHICLE**

(71) Applicant: **BIZLINK INTERNATIONAL CORPORATION**, New Taipei (TW)

(72) Inventor: **Ya-Fang Cheng**, Taipei (TW)

(73) Assignee: **BIZLINK INTERNATIONAL CORPORATION**, New Taipei (TW)

(**) Term: **15 Years**

(21) Appl. No.: **29/732,994**

(22) Filed: **Apr. 29, 2020**

(51) **LOC (13) Cl.** **13-02**

(52) **U.S. Cl.**
USPC **D13/107**

(58) **Field of Classification Search**
USPC D13/103, 107-110, 118, 119, 184, 199;
D14/251, 253, 432, 434
CPC Y02E 60/12; H02J 7/025; H02J 7/0042;
H02J 7/0044; H02J 7/0045; H02J 7/0003;
H02J 7/0027; H02J 7/0013; H02J 7/0054;
H02J 7/00; H02J 3/32; H02J 3/008; H02J
2001/008; H01F 38/14; H01R 13/6675;
H01M 2/1022; H01M 2/1055; H01M
10/44; H01M 10/46; H01M 10/425;
B60R 16/03; B60L 11/1809; B60L
11/1861; B60L 11/182
See application file for complete search history.

(56) **References Cited**

U.S. PATENT DOCUMENTS

D638,792 S *	5/2011	Lu	D13/108
D654,430 S *	2/2012	Demers	D13/107
D674,340 S *	1/2013	Wada	D13/109
D696,188 S *	12/2013	Loeck	D13/108
D711,313 S *	8/2014	Chin-Ho Kim	D13/107

(Continued)

OTHER PUBLICATIONS

Bizlinktech.com: 32A Wall-Mount ed EVSE. Publish date of Aug. 6, 2021. Retrieved from the internet at <https://www.bizlinktech.com/products/detail/1620/32A+Wall-Mount+ed+EVSE>, Aug. 6, 2021. 1 page. (Year: 2021).*

Primary Examiner — Christy Nemeth

(74) *Attorney, Agent, or Firm* — Karin L. Williams; Alan D. Kamrath; Mayer & Williams PC

(57) **CLAIM**

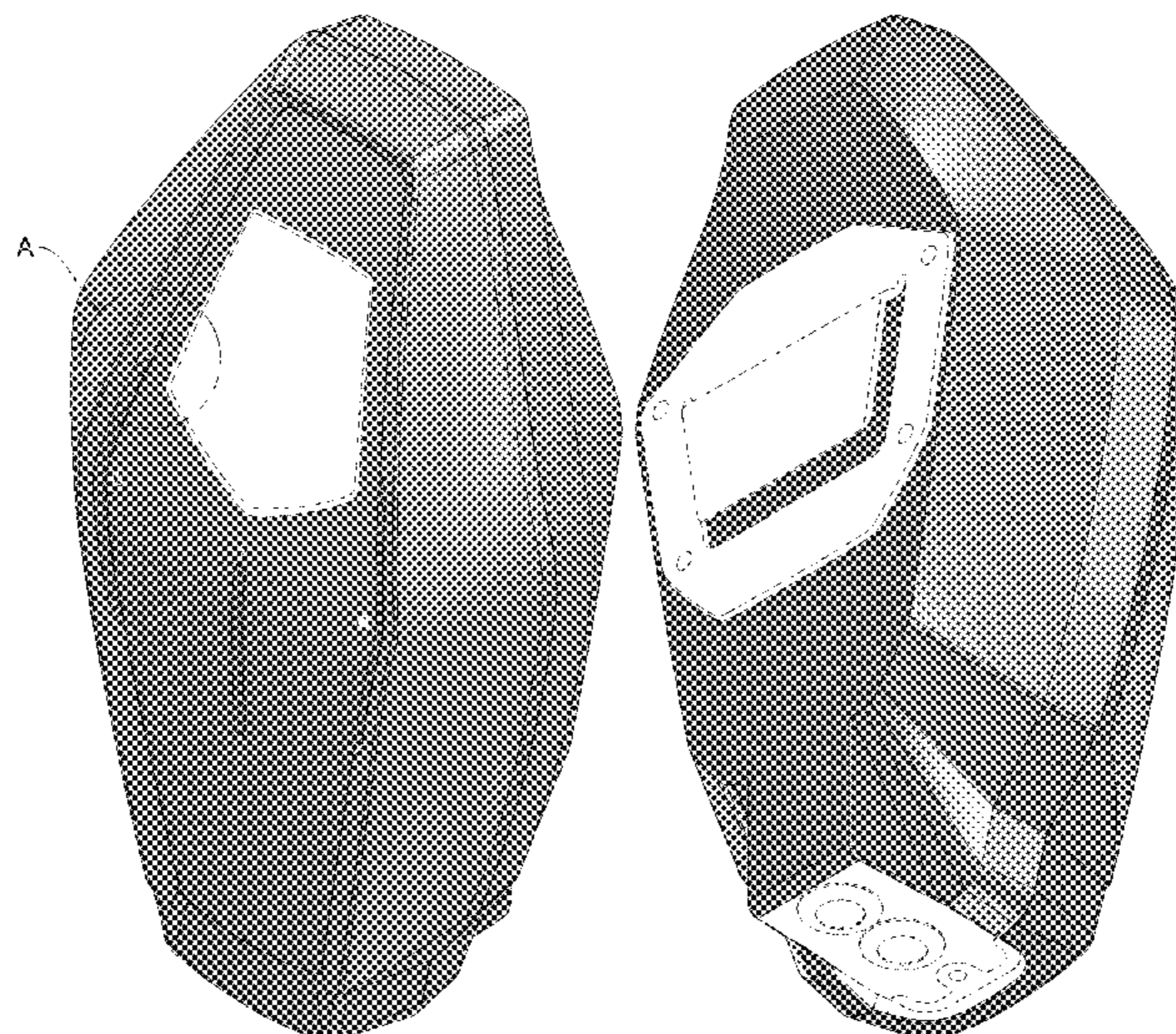
The ornamental design for a charging device for an electric vehicle, as shown and described.

DESCRIPTION

FIG. 1 is a perspective view of a charging device for an electric vehicle, showing my new design; FIG. 2 is another perspective view thereof; FIG. 3 is a front view thereof; FIG. 4 is a rear view thereof; FIG. 5 is a left side view thereof; FIG. 6 is a right side view thereof; FIG. 7 is a top view thereof; FIG. 8 is a bottom view thereof; FIG. 9 is an enlarged view of area 'A' circumscribed within FIG. 1; FIG. 10 is a perspective view thereof, showing the device in a state of use; FIG. 11 is an enlarged view of area 'B' circumscribed within FIG. 3; FIG. 12 is an enlarged view of area 'C' circumscribed within FIG. 3; and, FIG. 13 is an enlarged view of area 'D' circumscribed within FIG. 3.

In the drawings, the dash-dash broken lines illustrate portions of the article that form no part of the claimed design. The dash-dot-dot broken lines illustrate the boundary of the portion shown enlarged in FIGS. 9 and 11 to 13. The unshaded regions form no part of the claimed design.

1 Claim, 13 Drawing Sheets



(56)

References Cited

U.S. PATENT DOCUMENTS

D788,032	S	*	5/2017	Yang	D13/107
D791,074	S	*	7/2017	Kim	D13/107
D806,649	S	*	1/2018	Chang	D13/108
D814,408	S	*	4/2018	Yang	D13/107
D830,969	S	*	10/2018	Wang	D13/107
D842,242	S	*	3/2019	Zhang	D13/107
D864,108	S	*	10/2019	Ito	D13/107
D872,688	S	*	1/2020	Nazar	D13/108
D875,038	S	*	2/2020	Droge	D13/107
D884,613	S	*	5/2020	Minkyoo	D13/107
D912,623	S	*	3/2021	Zhou	D13/108
D921,575	S	*	6/2021	Zhao	D13/103
D922,070	S	*	6/2021	Armstrong	D3/294
D923,563	S	*	6/2021	Reitenbach	D13/107
2013/0021162	A1	*	1/2013	DeBoer	G08B 21/18 340/635

* cited by examiner

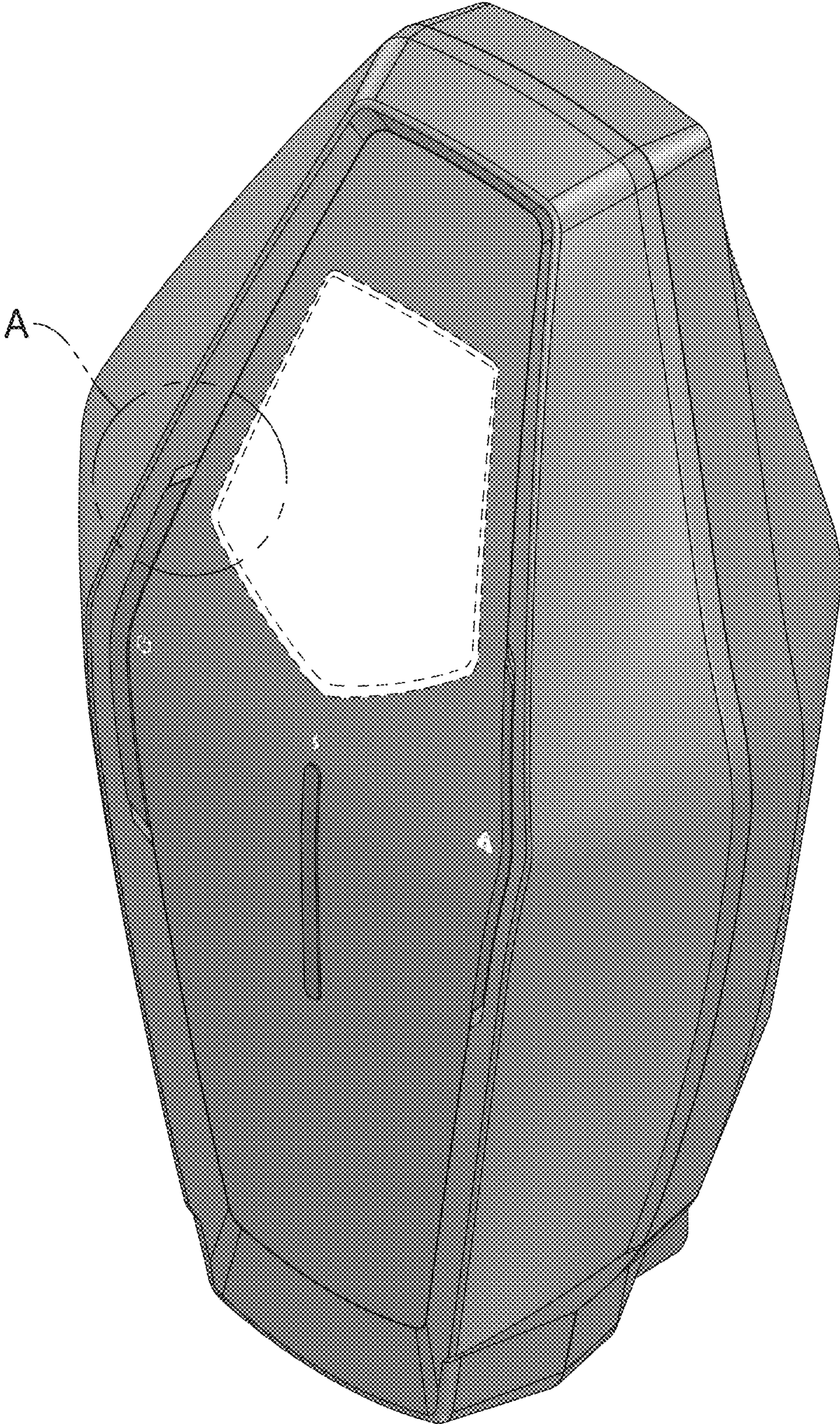


FIG.1

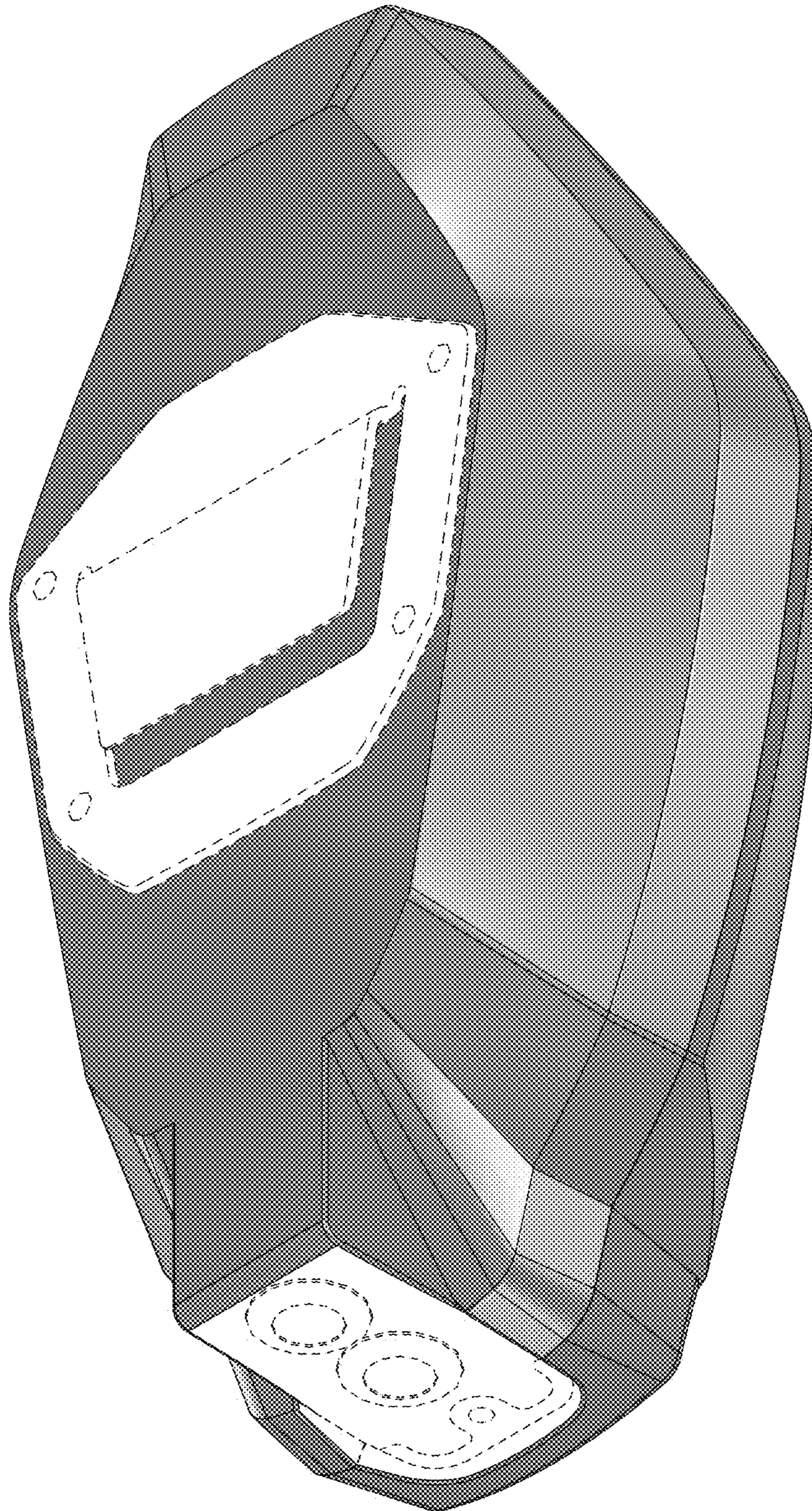


FIG.2

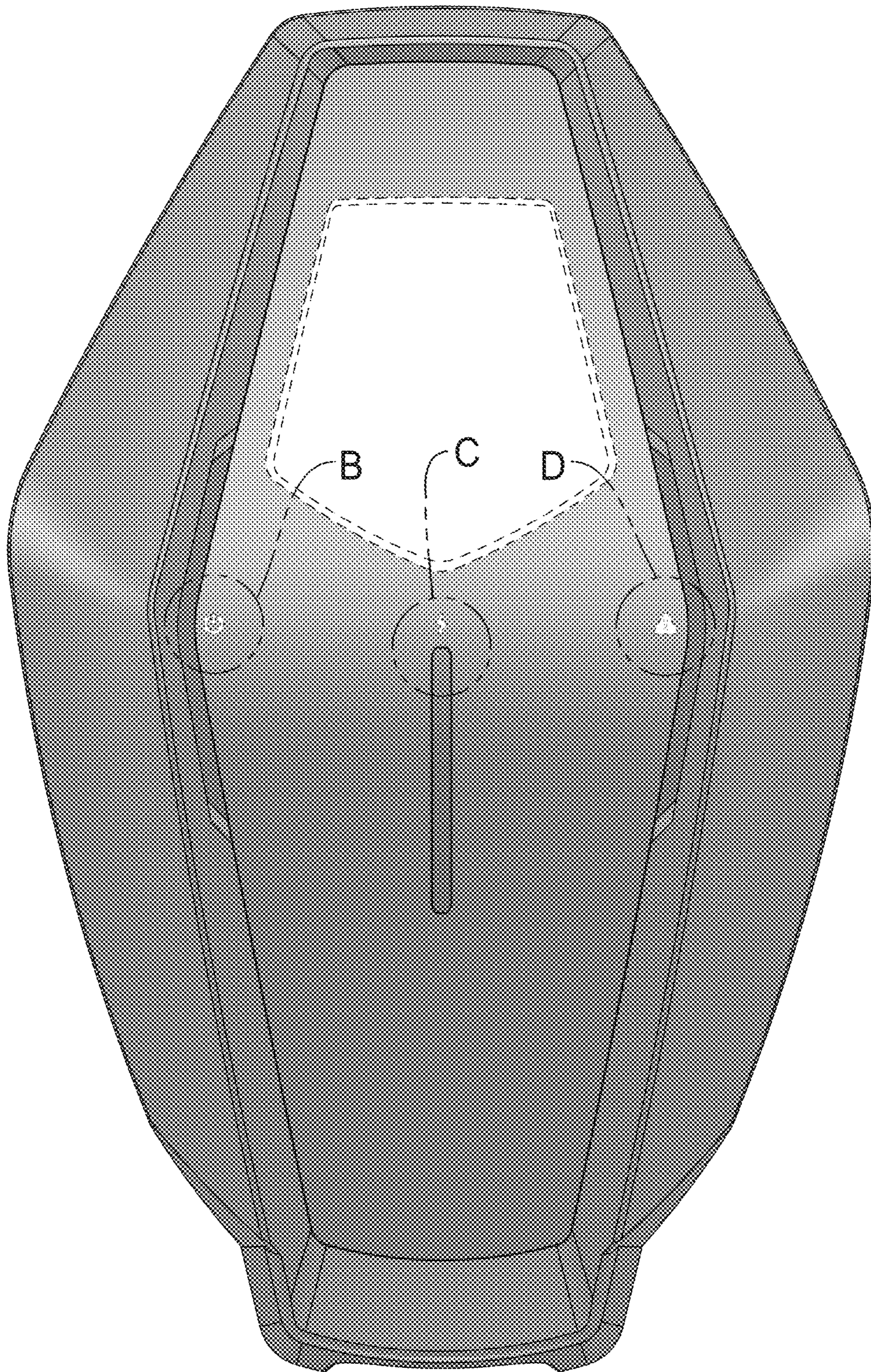


FIG.3

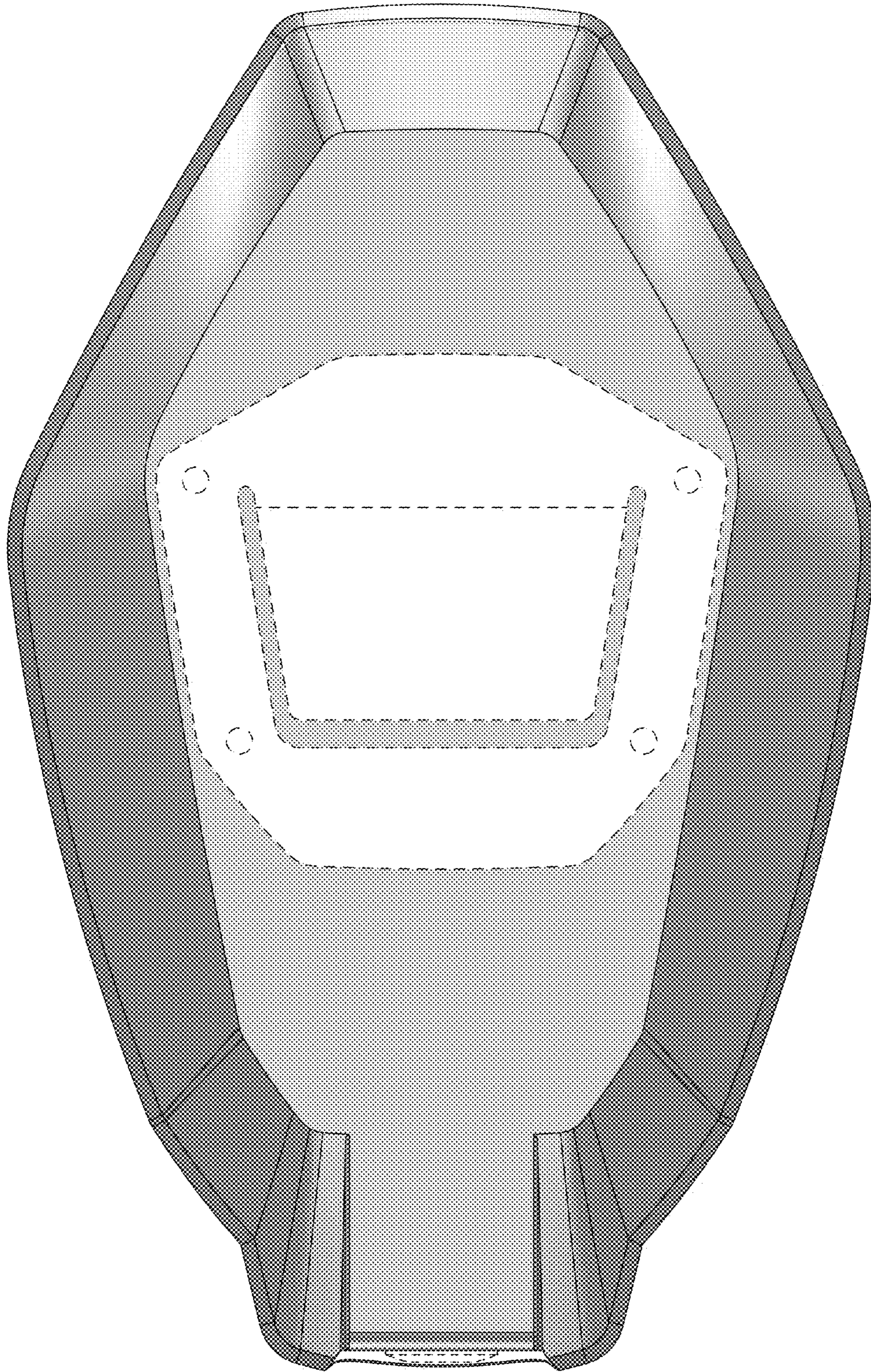


FIG. 4

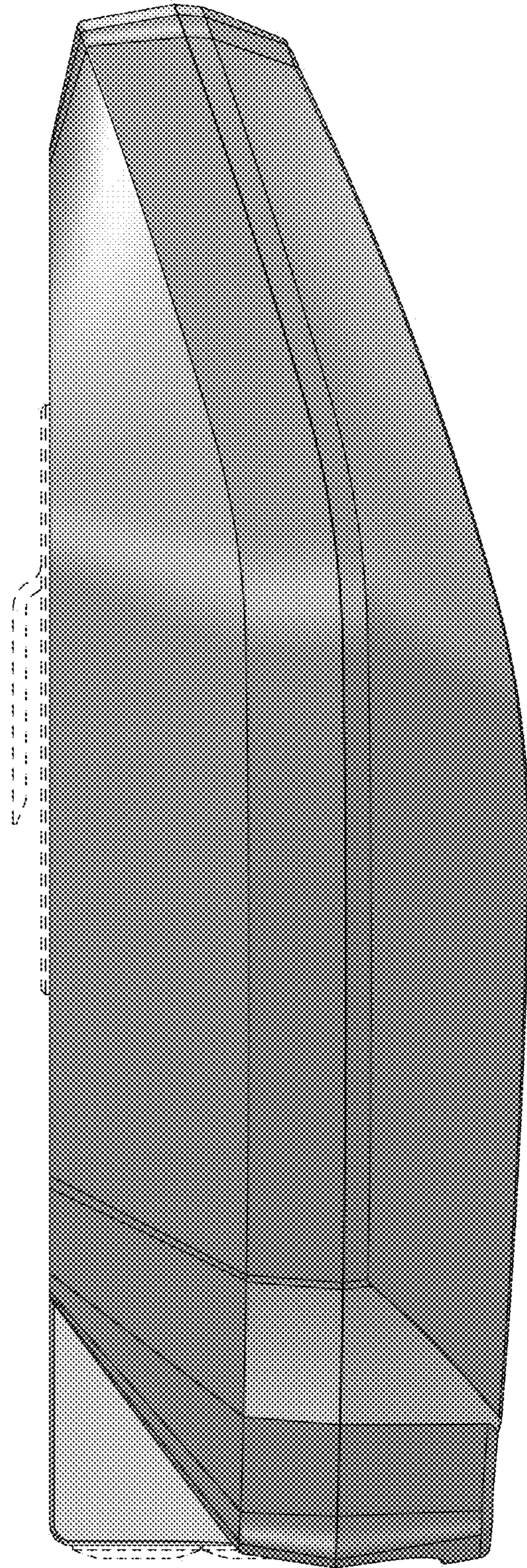


FIG.5

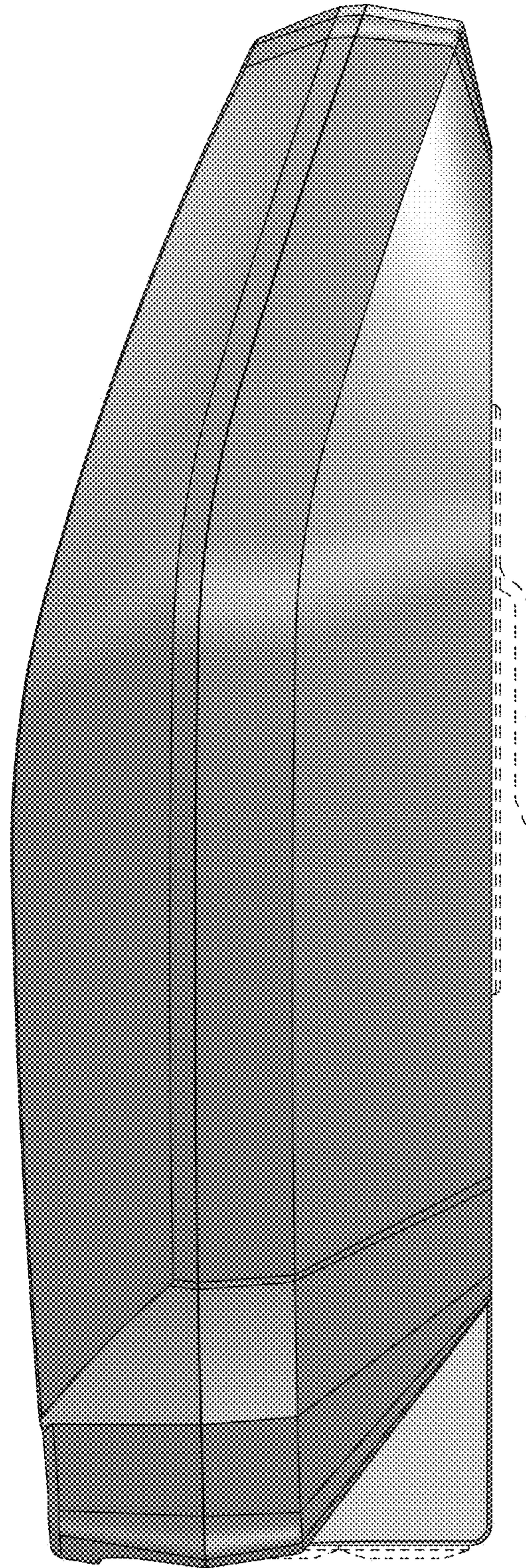


FIG.6

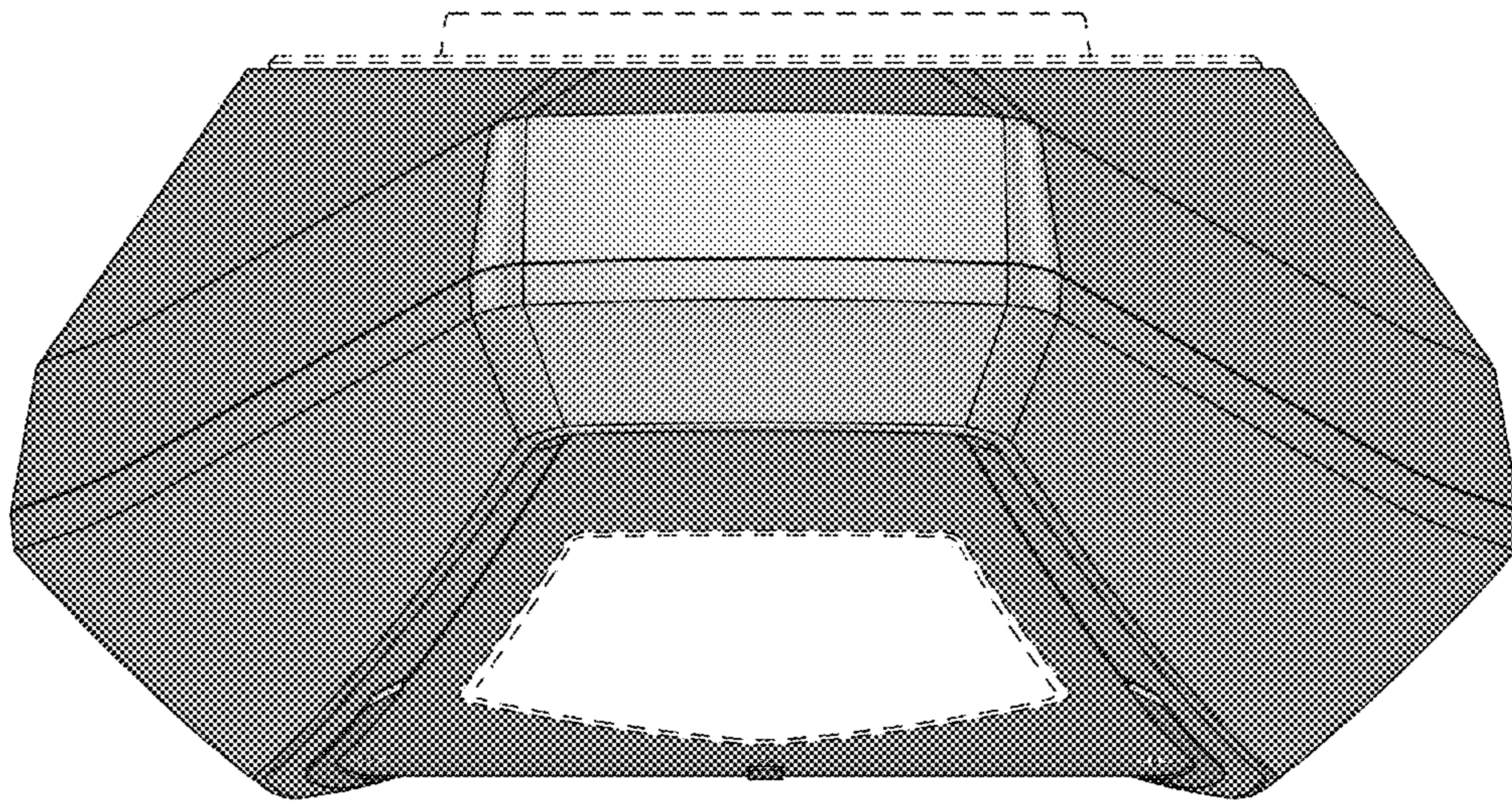


FIG.7

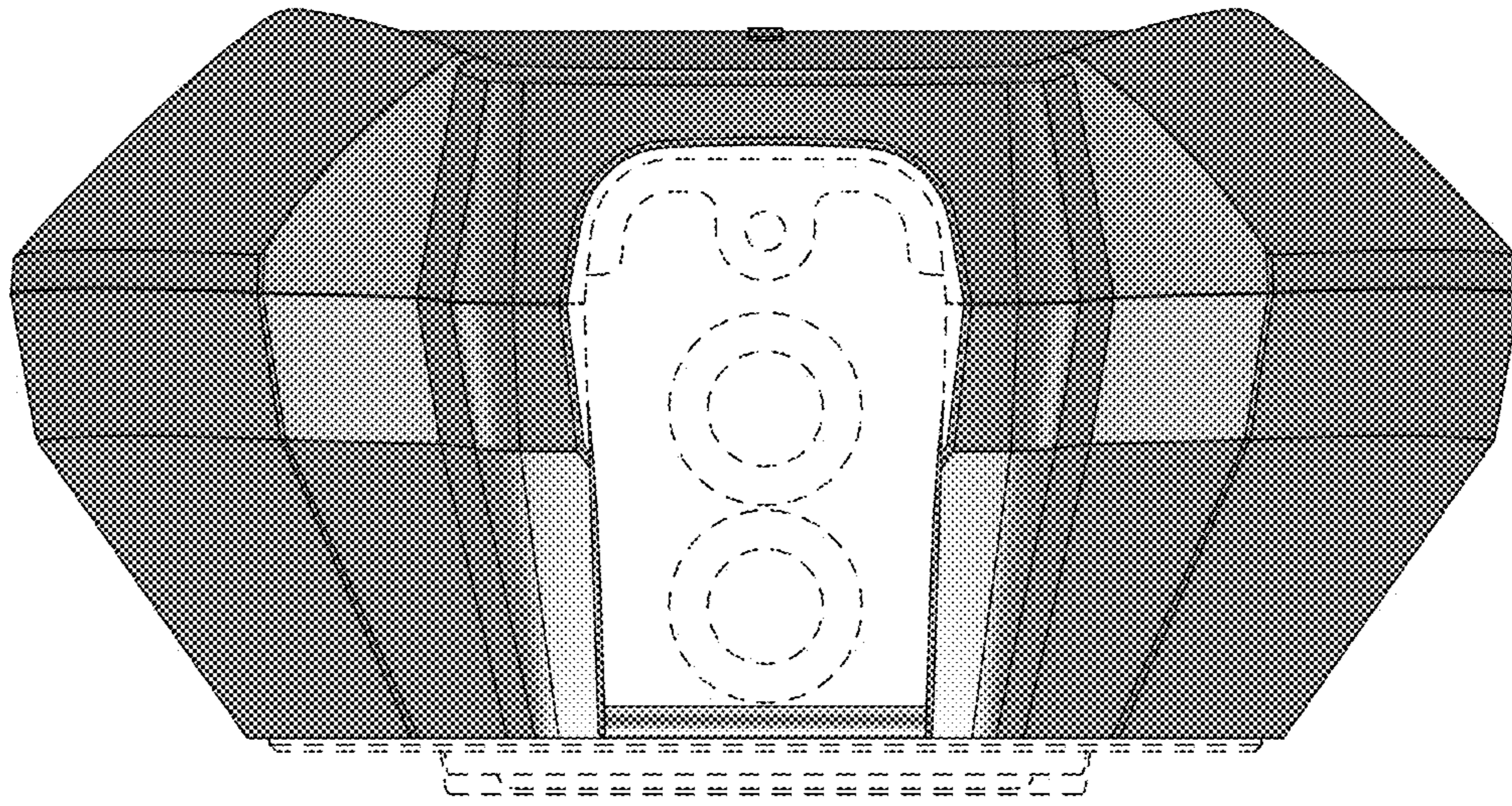


FIG. 8

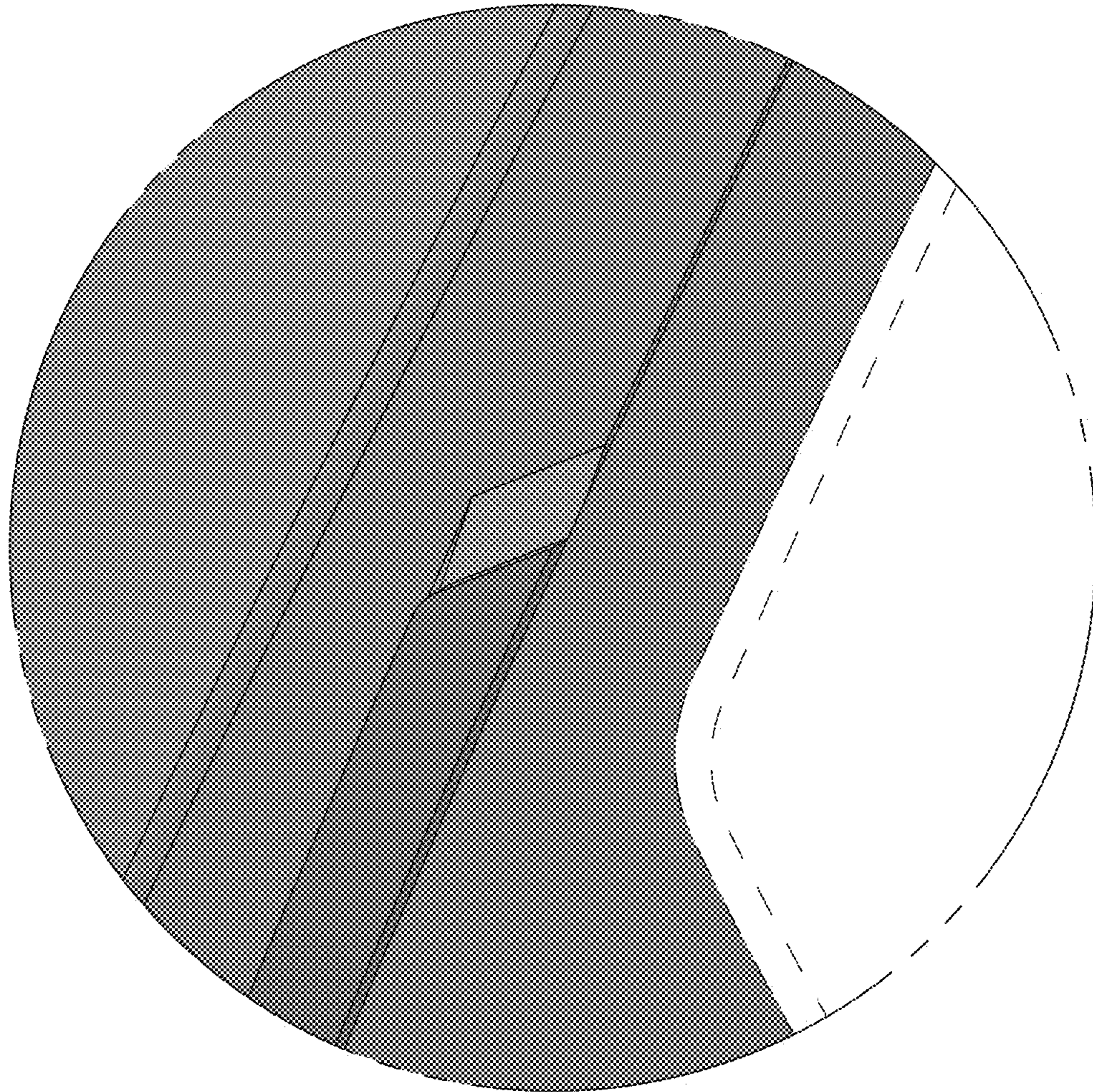


FIG.9

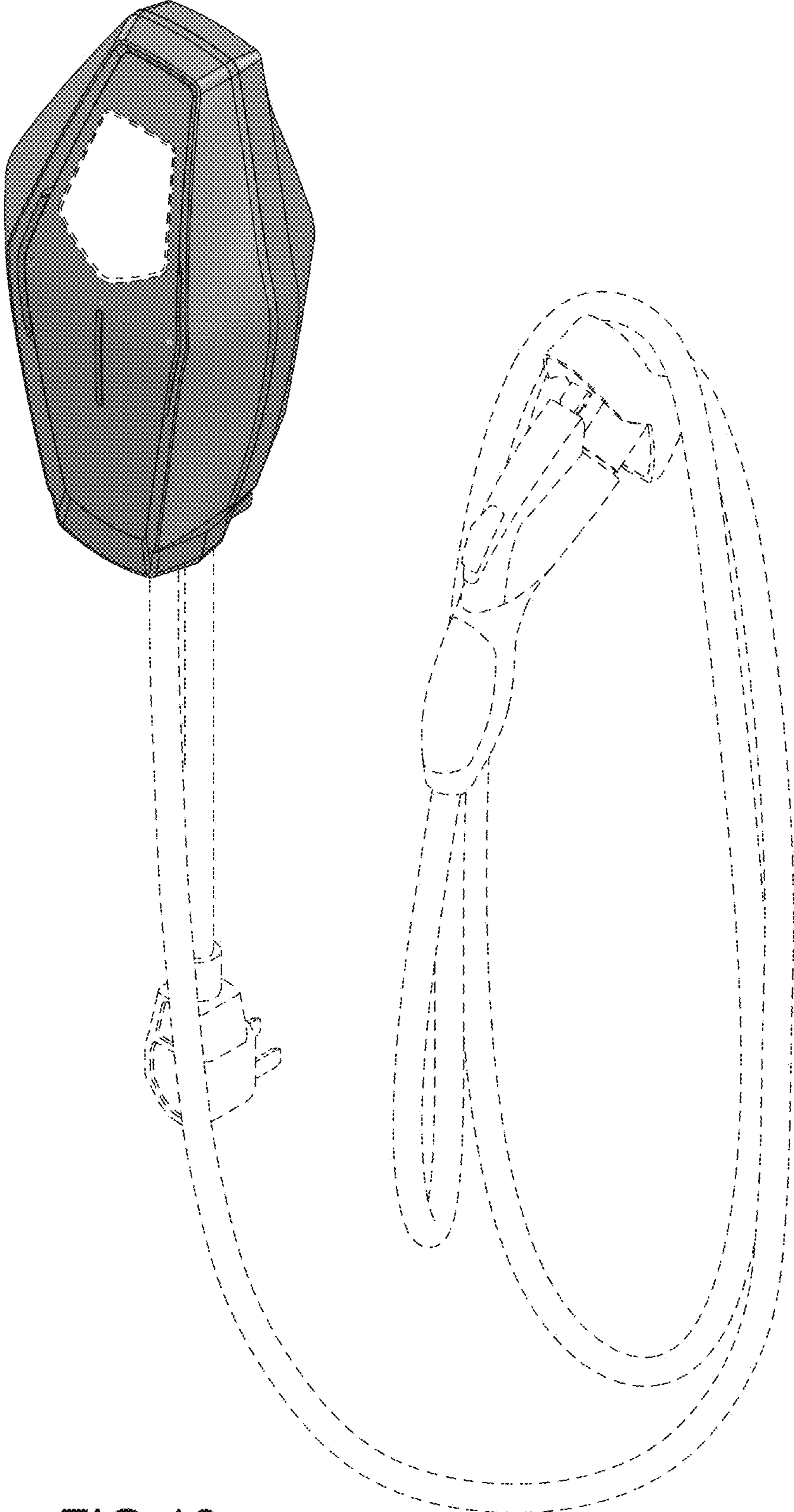


FIG.10

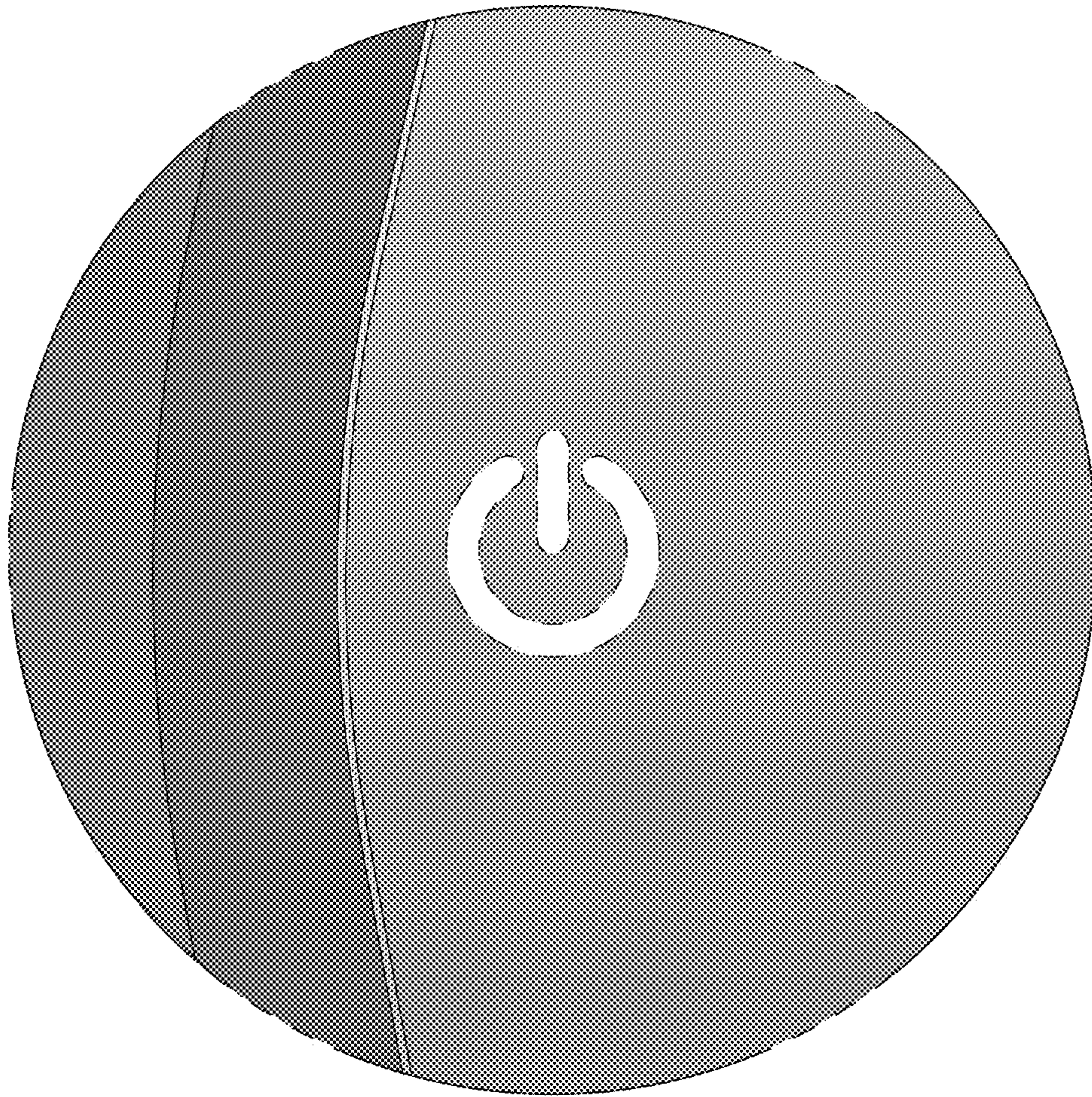


FIG.11

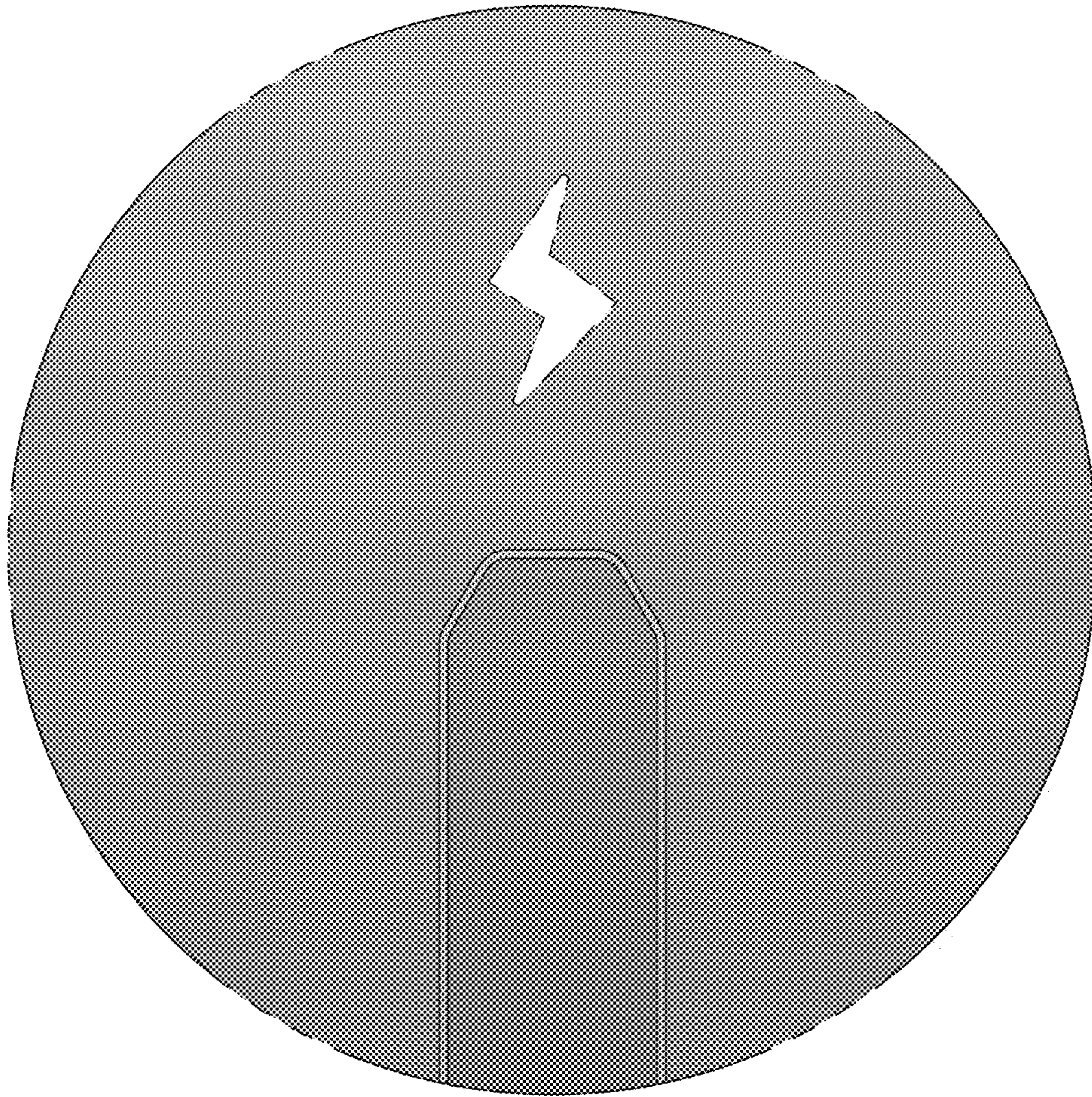


FIG.12

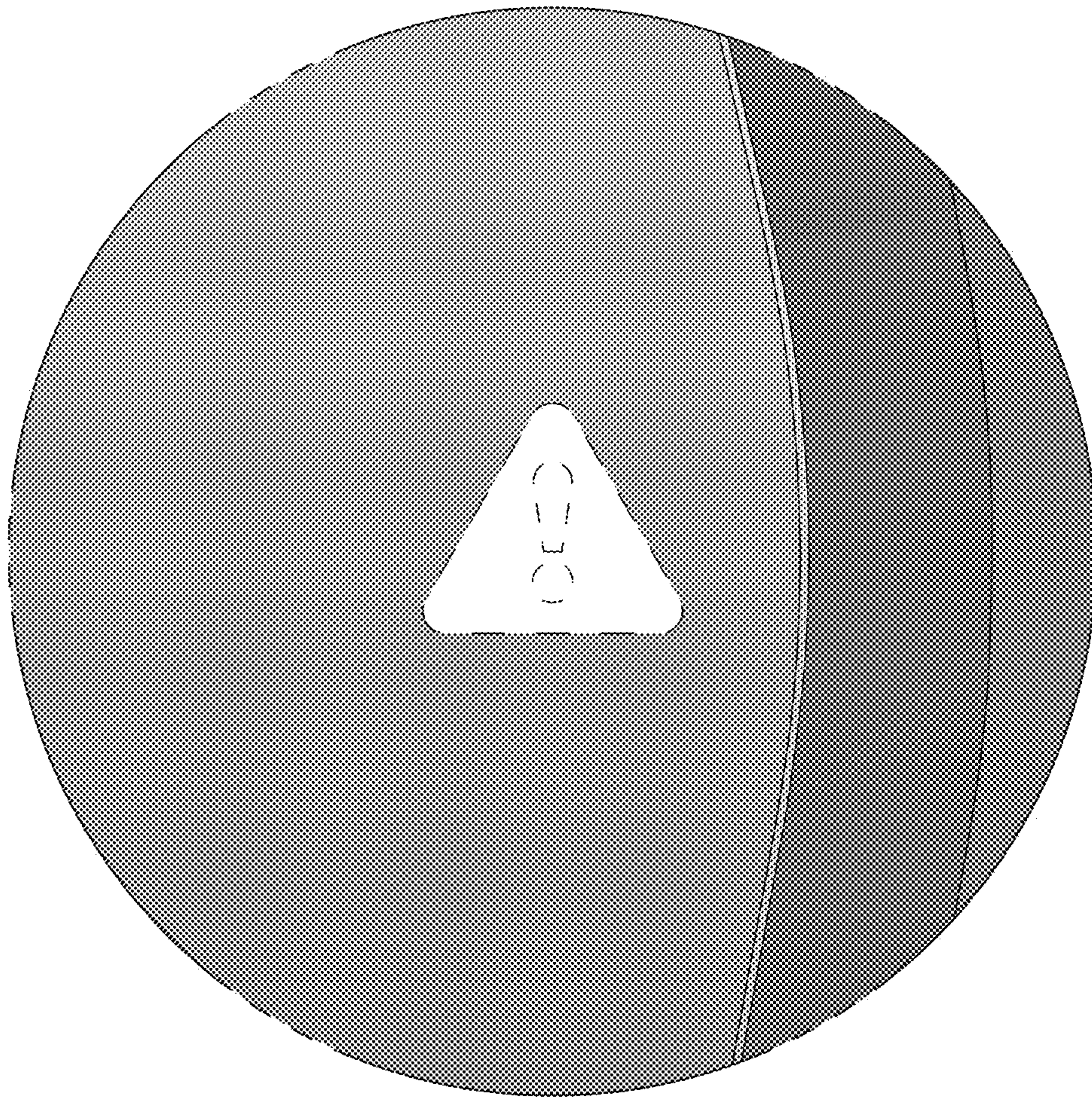


FIG.13