



US00D952554S

(12) **United States Design Patent**  
**Xu**

(10) **Patent No.:** **US D952,554 S**

(45) **Date of Patent:** **\*\* May 24, 2022**

(54) **LITHIUM-ION BATTERY PACK**

(71) Applicant: **Ningbo Babytec Maternal & Infant Technology Co., Ltd., Ningbo (CN)**

(72) Inventor: **Xueyuan Xu, Ningbo (CN)**

(73) Assignee: **NINGBO WINBAY TECHNOLOGY CO., LTD., Ningbo (CN)**

(\*\*) Term: **15 Years**

(21) Appl. No.: **29/786,926**

(22) Filed: **Jun. 3, 2021**

(51) **LOC (13) Cl.** ..... **13-02**

(52) **U.S. Cl.**  
USPC ..... **D13/103**

(58) **Field of Classification Search**  
USPC ..... D13/103–106, 110, 118–121, 184, 199  
(Continued)

(56) **References Cited**

**U.S. PATENT DOCUMENTS**

D436,917 S \* 1/2001 Hayakawa ..... D13/103  
D512,961 S \* 12/2005 Okuda ..... D13/103  
(Continued)

**OTHER PUBLICATIONS**

“SnapFresh 20V Lithium Battery—4.0Ah Li-ion Battery Packs for Cordless Tools, Long Life Battery Work with All SnapFresh Cordless Tools Only, Lithium-Ion Battery Support Fast Charging (BBT-DC40A)”, Amazon.com, first available on Sep. 24, 2020. Retrieved from the internet: <<https://www.amazon.com/20V-Lithium-Battery-SnapFresh-Lithium-Ion/dp/B08F5BT2X8>>. (Year: 2020).\*

*Primary Examiner* — Rosemary K Tarcza

(74) *Attorney, Agent, or Firm* — ScienBiziP, P.C.

(57) **CLAIM**

The ornamental design for a lithium-ion battery pack, as shown and described.

**DESCRIPTION**

FIG. 1 is a front, right, and top perspective view of a first embodiment of a lithium-ion battery pack, showing my design.

FIG. 2 is a rear, left, and bottom perspective view of the lithium-ion battery pack of FIG. 1.

FIG. 3 is a front elevation view of the lithium-ion battery pack of FIG. 1.

FIG. 4 is a rear elevation view of the lithium-ion battery pack of FIG. 1.

FIG. 5 is a left side elevation view of the lithium-ion battery pack of FIG. 1.

FIG. 6 is a right side elevation view of the lithium-ion battery pack of FIG. 1.

FIG. 7 is a top plan view of the lithium-ion battery pack of FIG. 1.

FIG. 8 is a bottom plan view of the lithium-ion battery pack of FIG. 1.

FIG. 9 is a front, right, and top perspective view of a second embodiment of a lithium-ion battery pack.

FIG. 10 is a rear, left, and bottom perspective view of the lithium-ion battery pack of FIG. 9.

FIG. 11 is a front elevation view of the lithium-ion battery pack of FIG. 9.

FIG. 12 is a rear elevation view of the lithium-ion battery pack of FIG. 9.

FIG. 13 is a left side elevation view of the lithium-ion battery pack of FIG. 9.

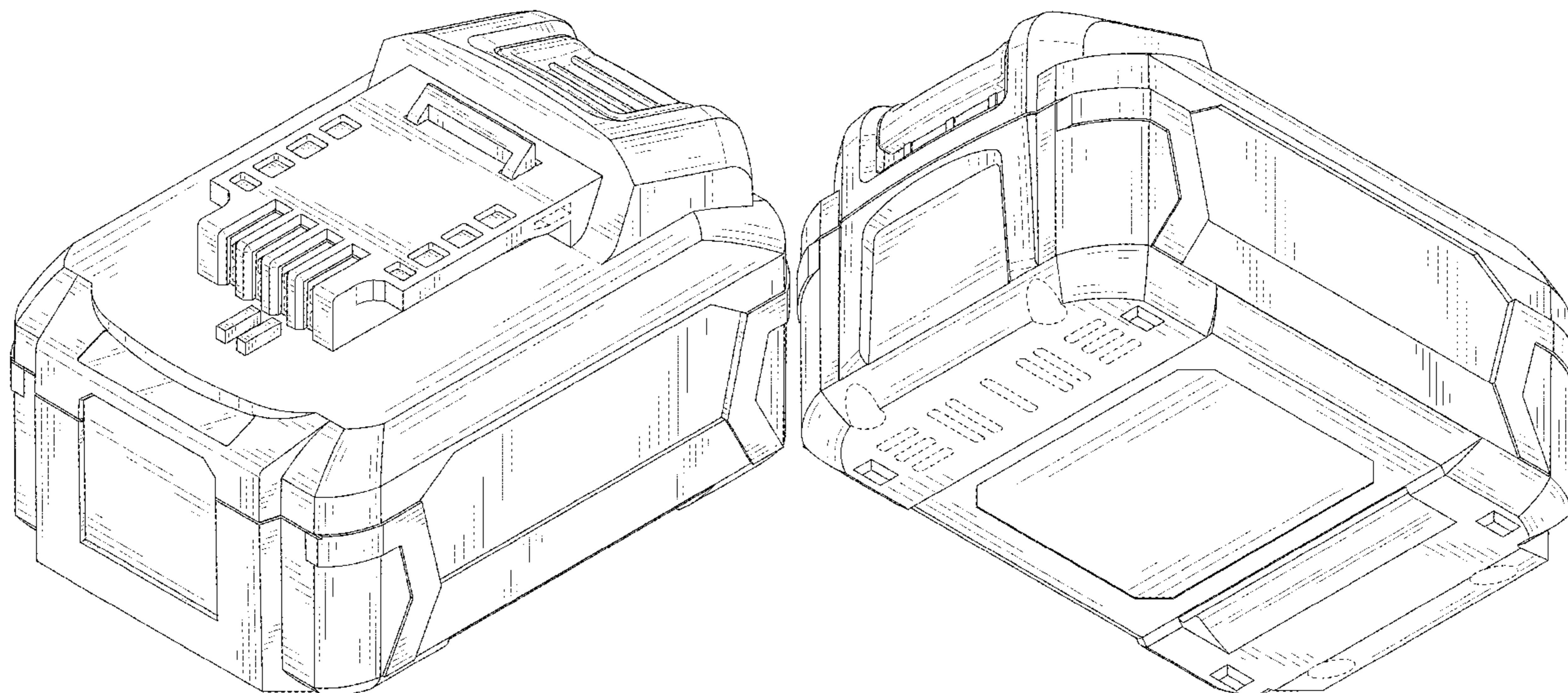
FIG. 14 is a right side elevation view of the lithium-ion battery pack of FIG. 9.

FIG. 15 is a top plan view of the lithium-ion battery pack of FIG. 9; and,

FIG. 16 is a bottom plan view of the lithium-ion battery pack of FIG. 9.

The broken lines shown in the drawings are included for the purpose of illustrating portions of the lithium-ion battery pack that form no part of the claimed design.

**1 Claim, 16 Drawing Sheets**



(58) **Field of Classification Search**  
 CPC ..... H01M 10/48; H01M 10/4257; H01M  
 10/287; H01M 10/30; H01M 10/0525;  
 H01M 50/10; H01M 2220/30; H01M  
 2250/30

See application file for complete search history.

(56) **References Cited**

U.S. PATENT DOCUMENTS

D523,807 S \* 6/2006 Murayama ..... D13/103  
 D568,239 S \* 5/2008 Okada ..... D13/103  
 D589,439 S \* 3/2009 Van Wambeke ..... D13/103  
 D589,440 S \* 3/2009 Van Wambeke ..... D13/103  
 D589,441 S \* 3/2009 Van Wambeke ..... D13/103  
 D597,932 S \* 8/2009 Aglassinger ..... D13/103  
 D604,695 S \* 11/2009 Aglassinger ..... D13/103  
 D606,935 S \* 12/2009 Murayama ..... D13/103  
 D622,661 S \* 8/2010 Yamada ..... D13/103  
 D640,628 S \* 6/2011 Lopano ..... D13/103  
 D657,307 S \* 4/2012 Zhao ..... D13/103  
 D679,651 S \* 4/2013 Stratford ..... D13/103  
 D718,705 S \* 12/2014 Naksen ..... D13/103  
 D780,687 S \* 3/2017 Taniguchi ..... D13/103

D785,562 S \* 5/2017 Cooper ..... D13/103  
 D797,661 S \* 9/2017 Elder ..... D13/103  
 D812,555 S \* 3/2018 Schoch ..... D13/103  
 D818,948 S \* 5/2018 Waldron ..... D13/103  
 D826,150 S \* 8/2018 Cayon ..... D13/103  
 D844,558 S \* 4/2019 Taniguchi ..... D13/103  
 D876,340 S \* 2/2020 Song ..... D13/103  
 D881,119 S \* 4/2020 Elder ..... D13/103  
 D897,946 S 10/2020 Liu  
 D911,268 S \* 2/2021 Matteo ..... D13/103  
 D911,269 S \* 2/2021 Matteo ..... D13/103  
 D911,931 S \* 3/2021 Li ..... D13/103  
 D918,829 S 5/2021 Tinius  
 D919,560 S \* 5/2021 Taniguchi ..... D13/103  
 D922,939 S \* 6/2021 Ye ..... D13/103  
 D922,940 S \* 6/2021 Ye ..... D13/103  
 D931,801 S \* 9/2021 Timm ..... D13/103  
 D931,802 S \* 9/2021 Bitsch ..... D13/103  
 D935,996 S \* 11/2021 Okuda ..... D13/103  
 D946,504 S \* 3/2022 Qiu ..... D13/103  
 2003/0039880 A1 \* 2/2003 Turner ..... H01M 50/20  
 429/97  
 2016/0226278 A1 \* 8/2016 Wenger ..... H02J 7/0044  
 2017/0269167 A1 \* 9/2017 Willey ..... H01M 10/488  
 2022/0093900 A1 \* 3/2022 Kalavala ..... H01M 50/20

\* cited by examiner

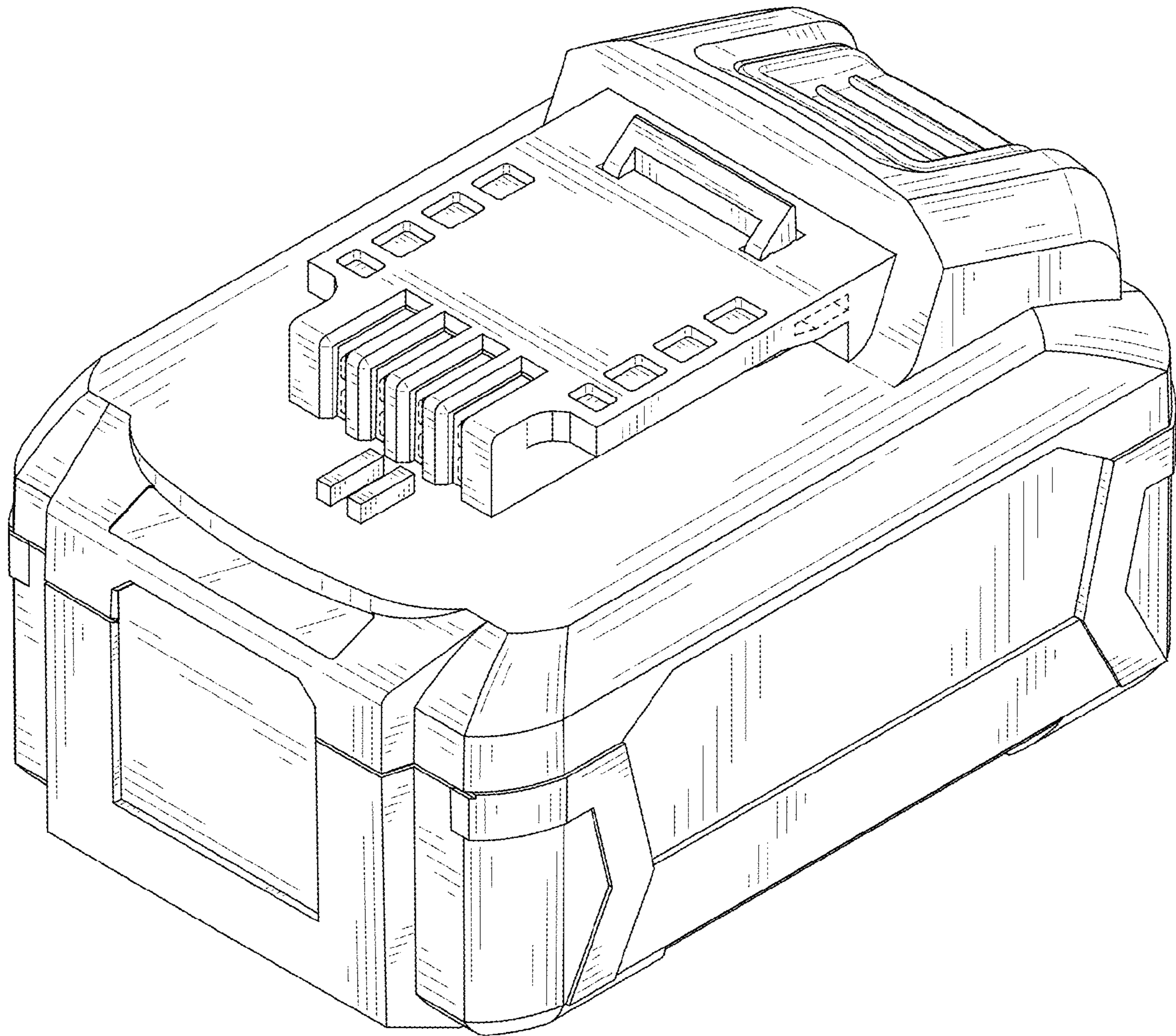


FIG. 1

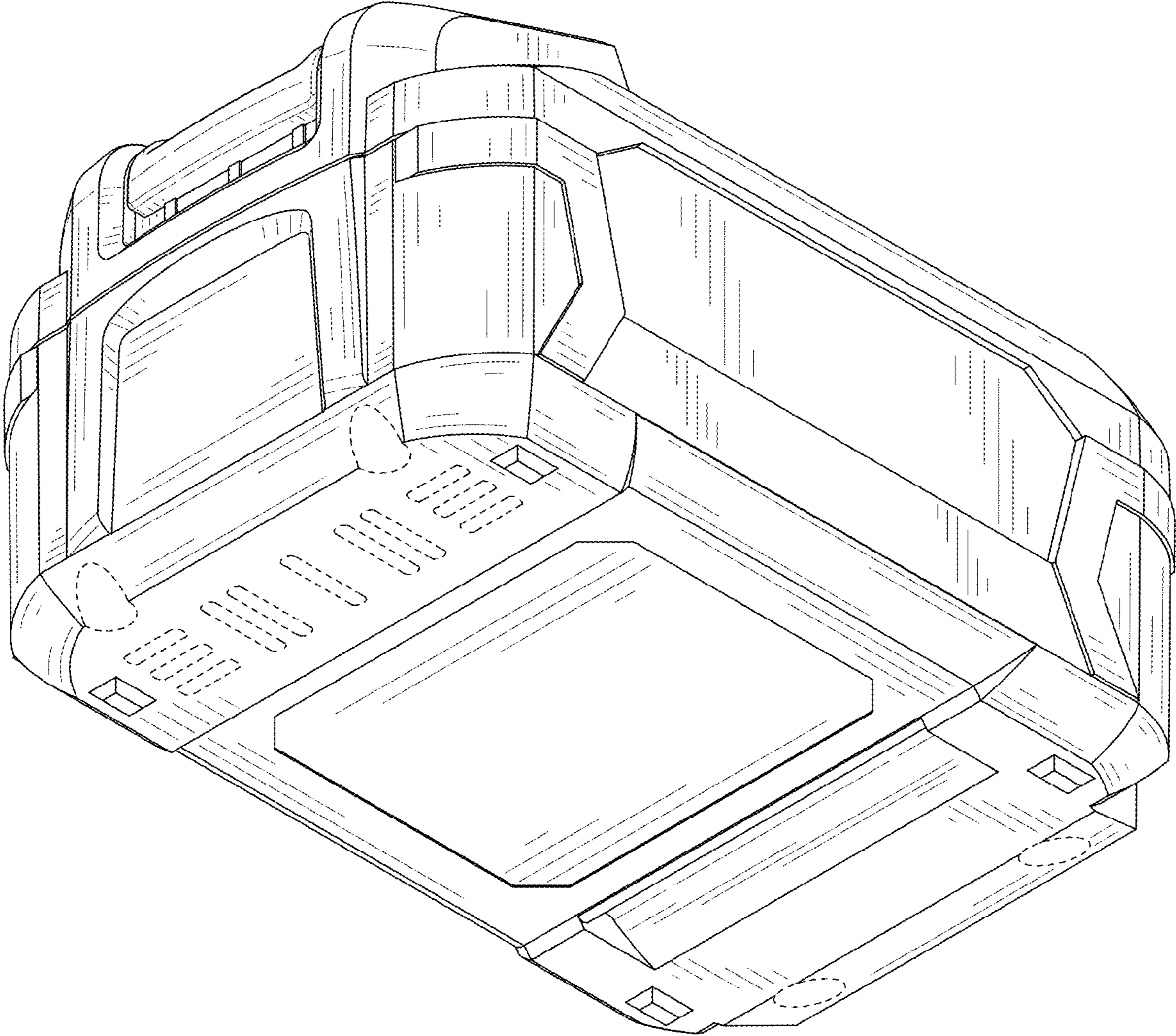


FIG. 2

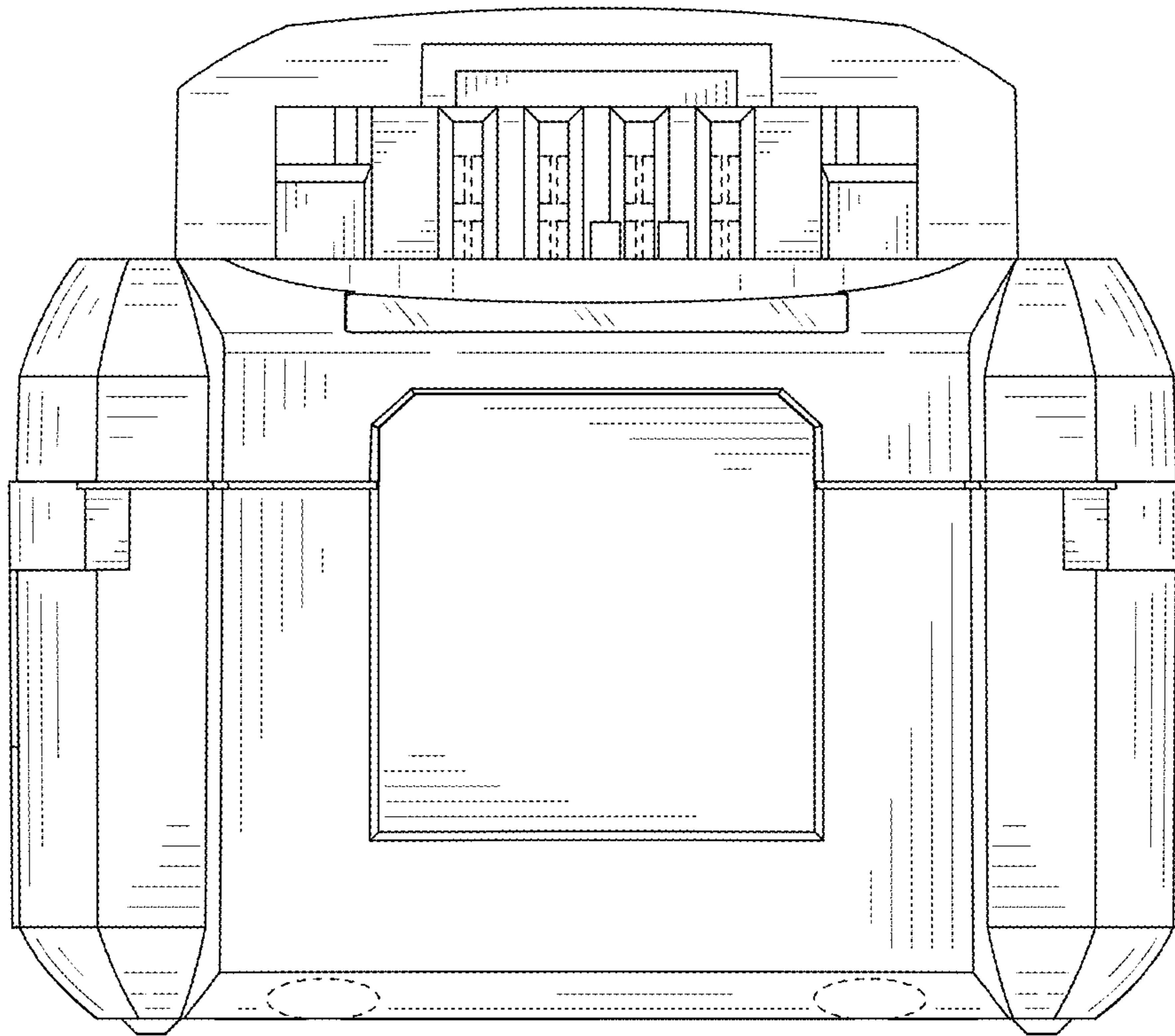


FIG. 3

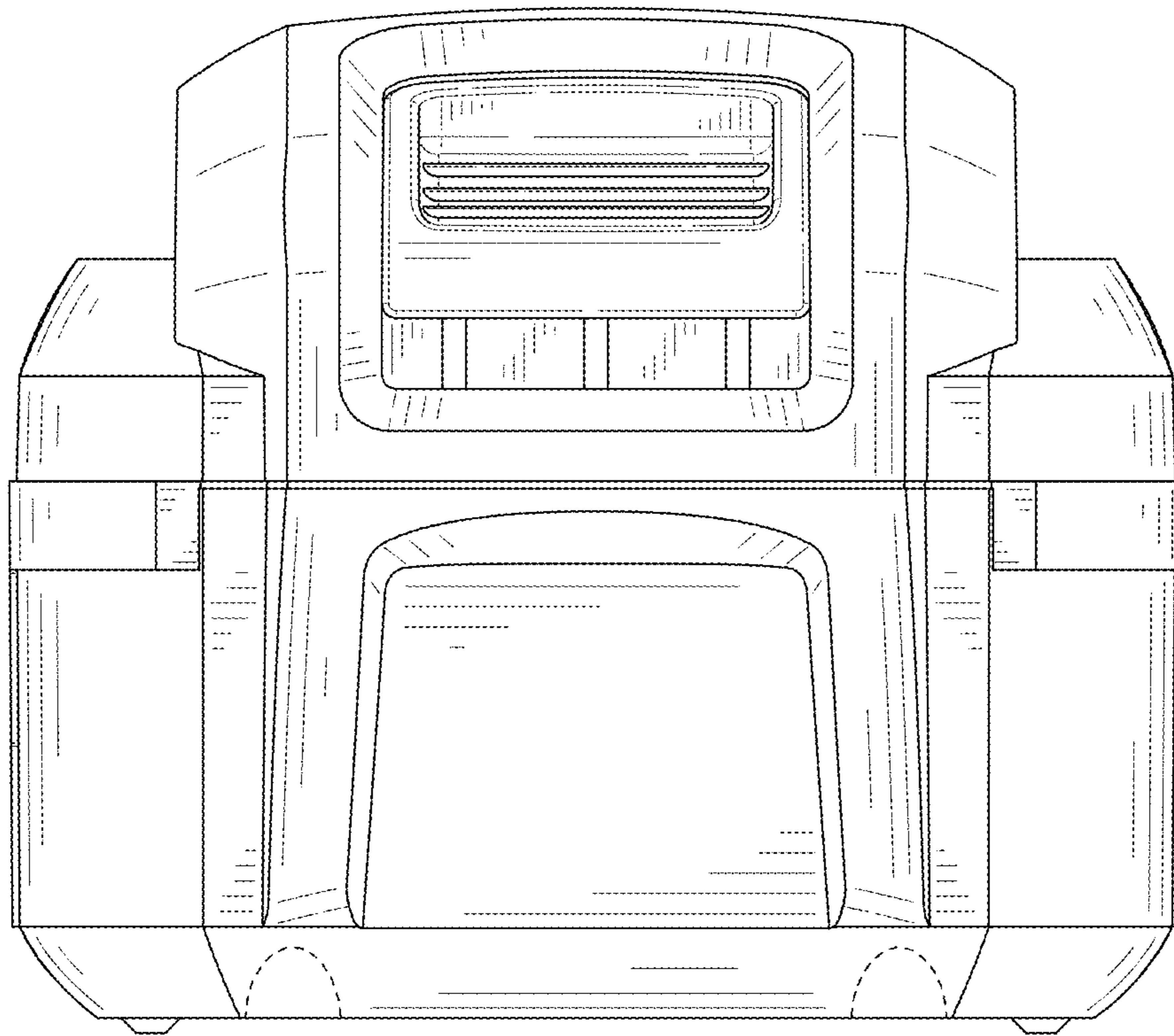


FIG. 4

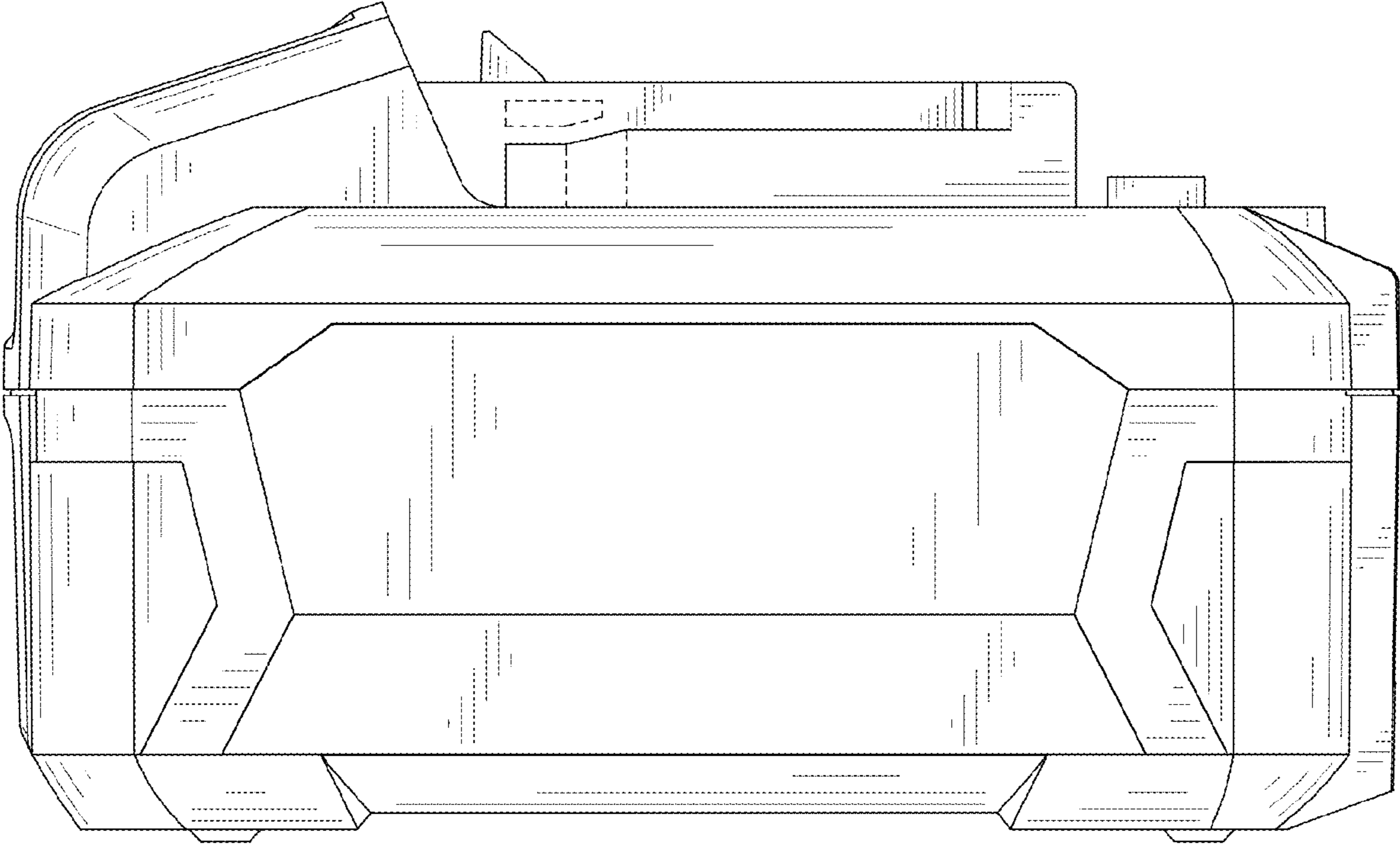


FIG. 5

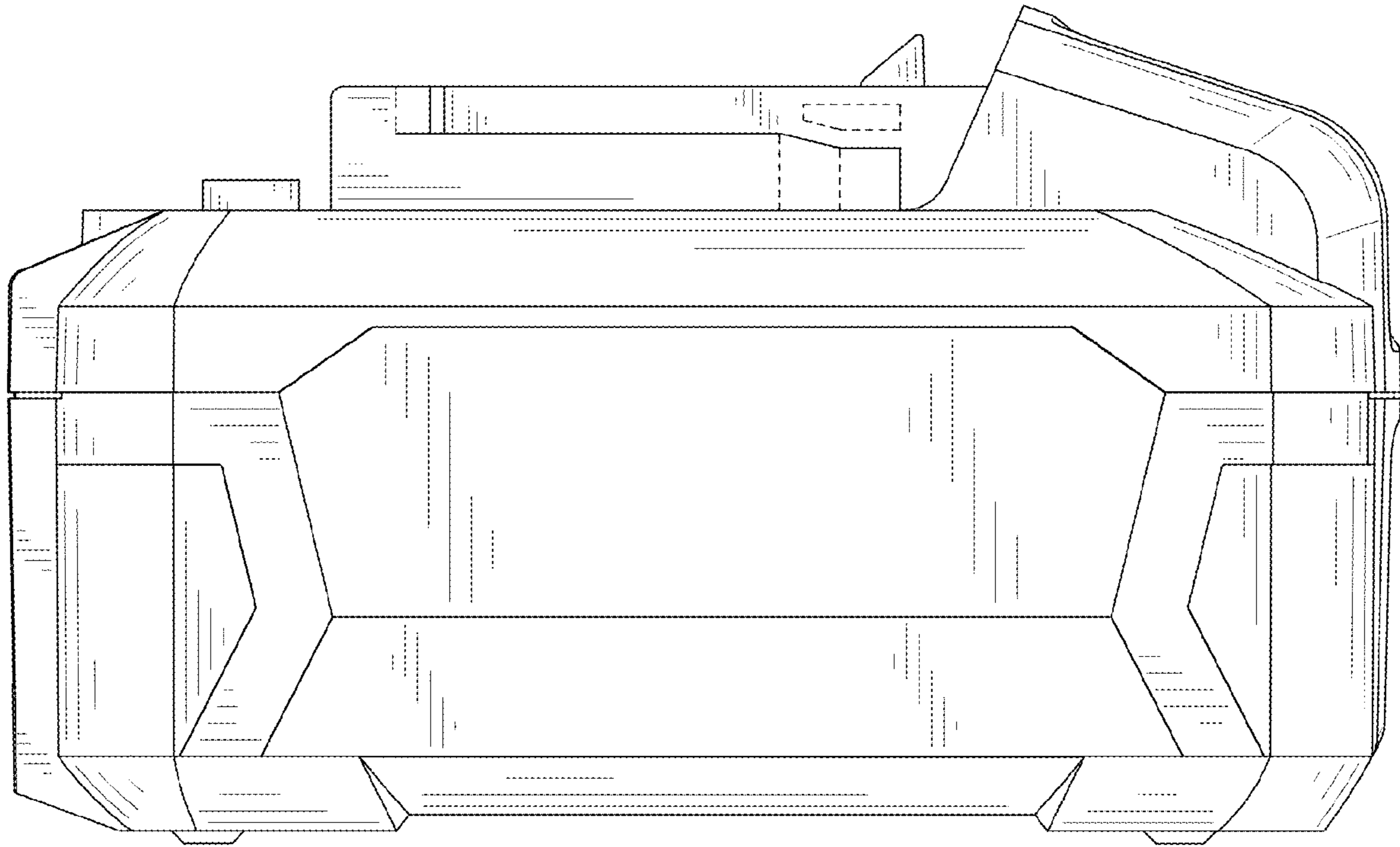


FIG. 6



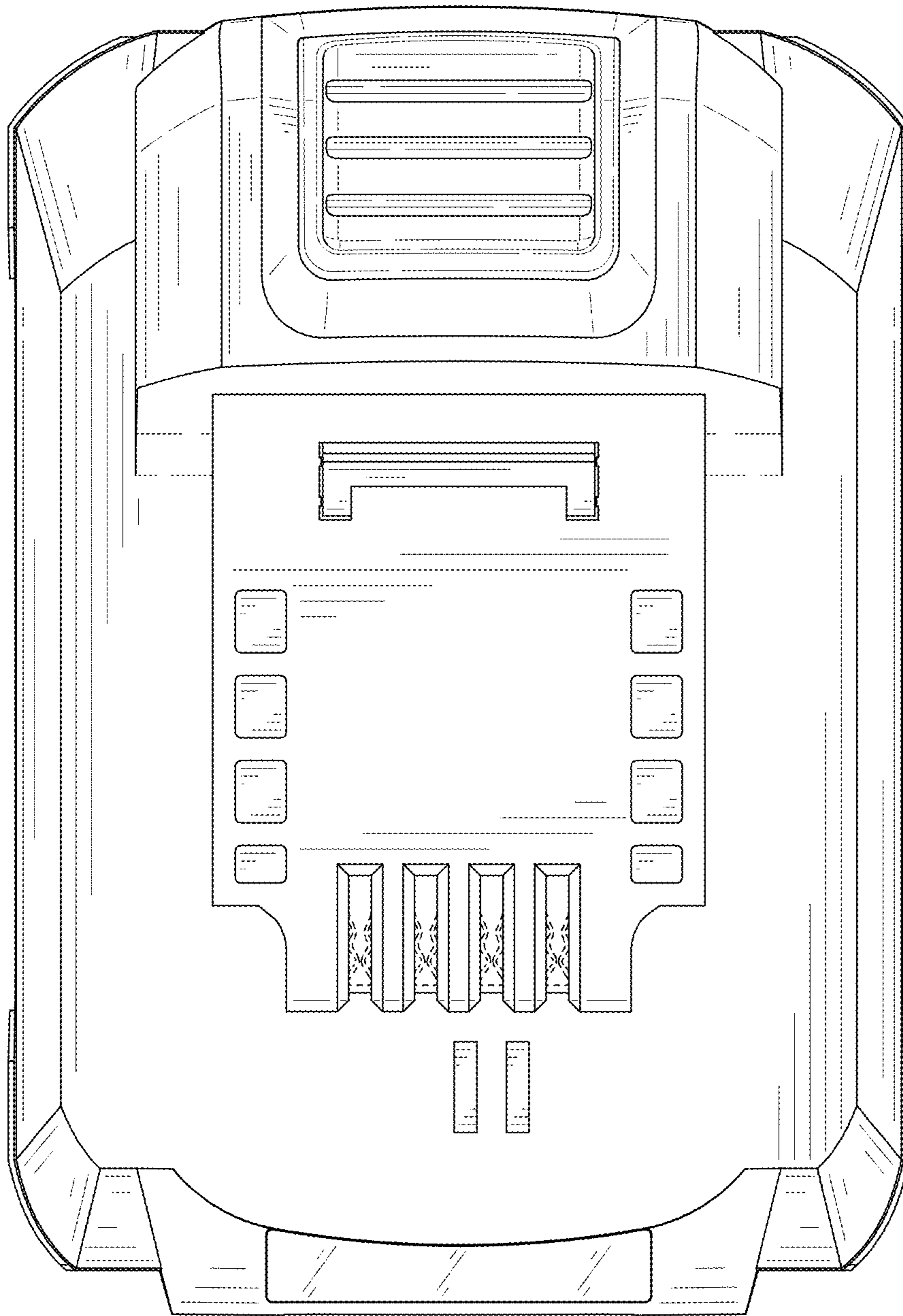


FIG. 7

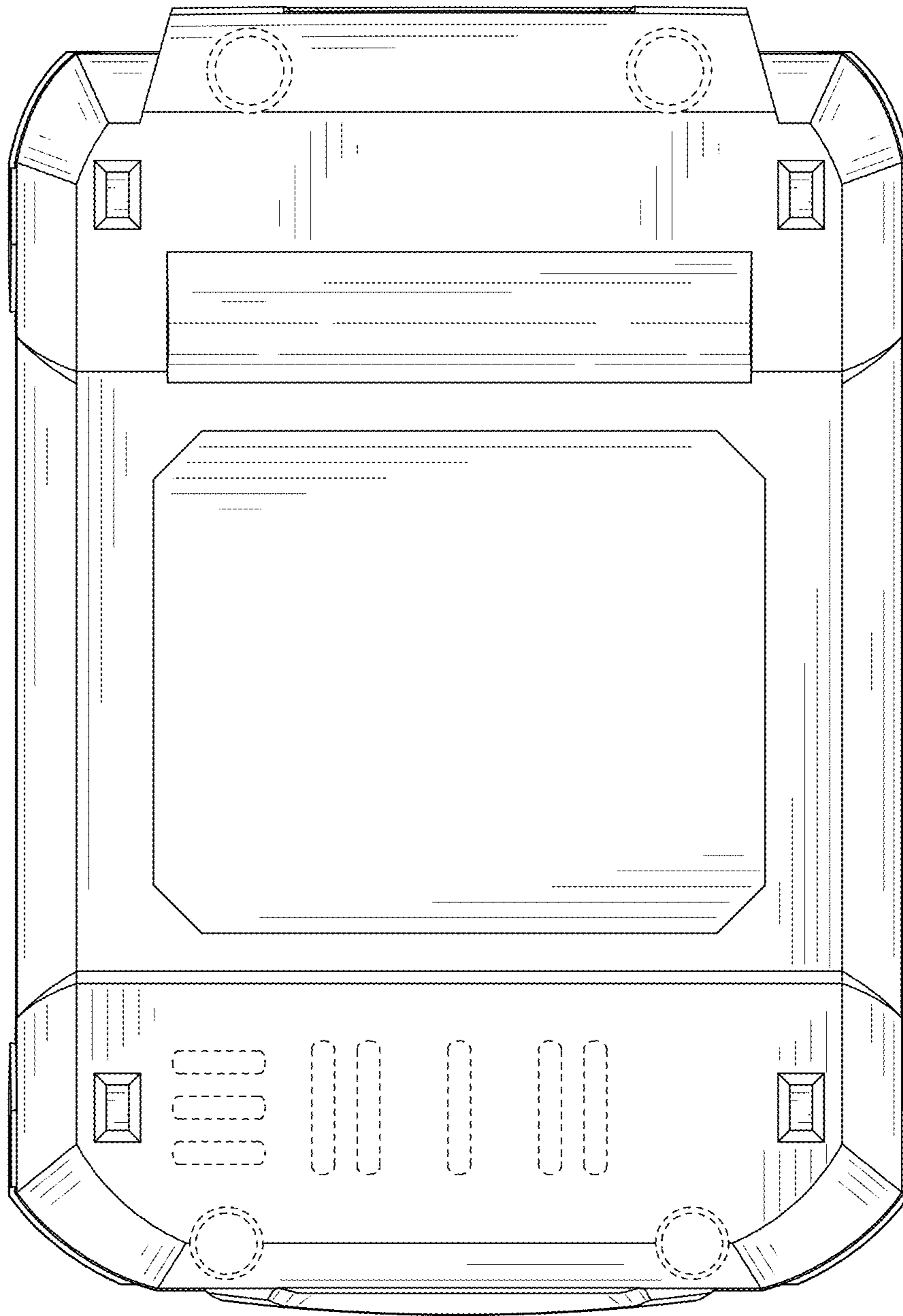


FIG. 8

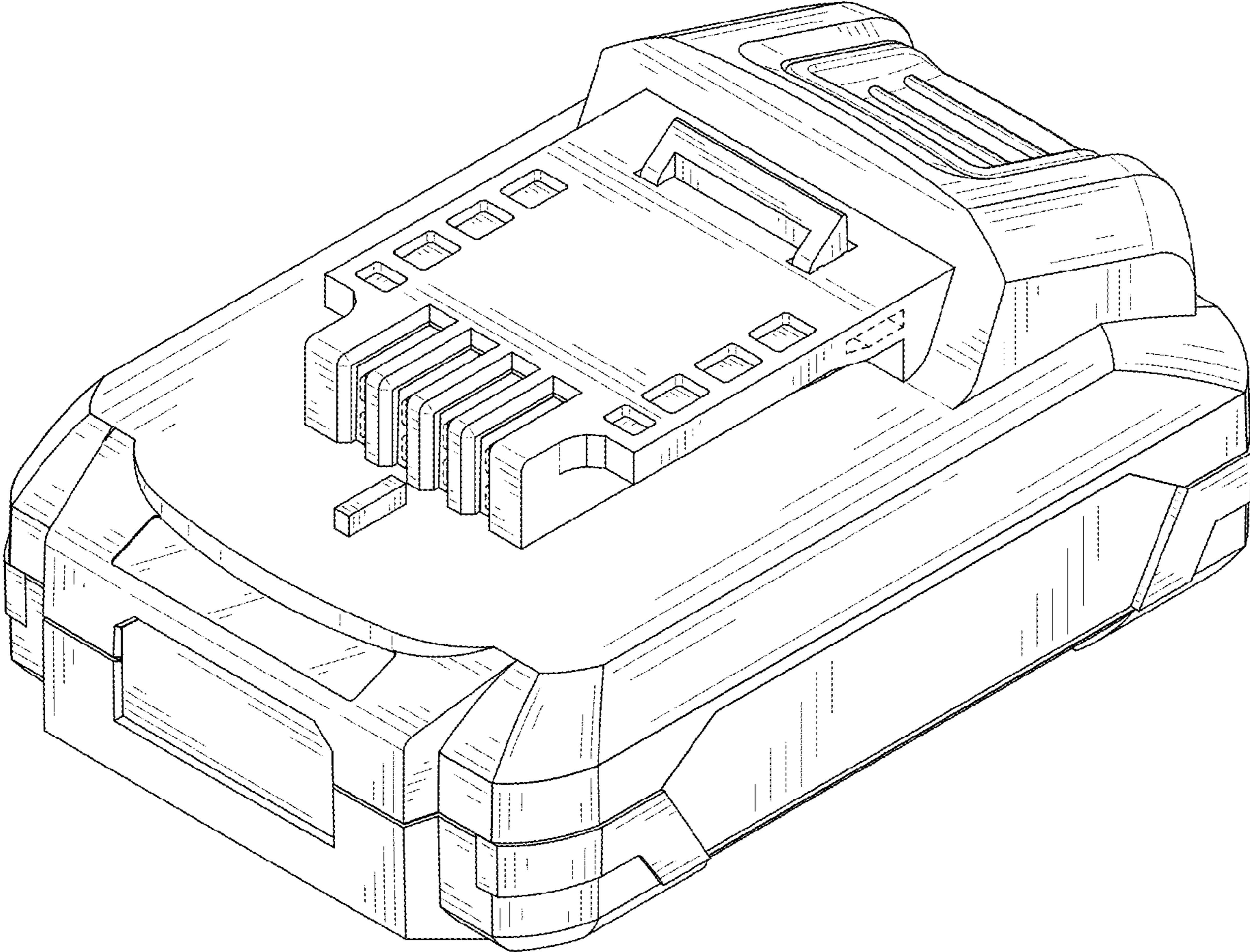


FIG. 9

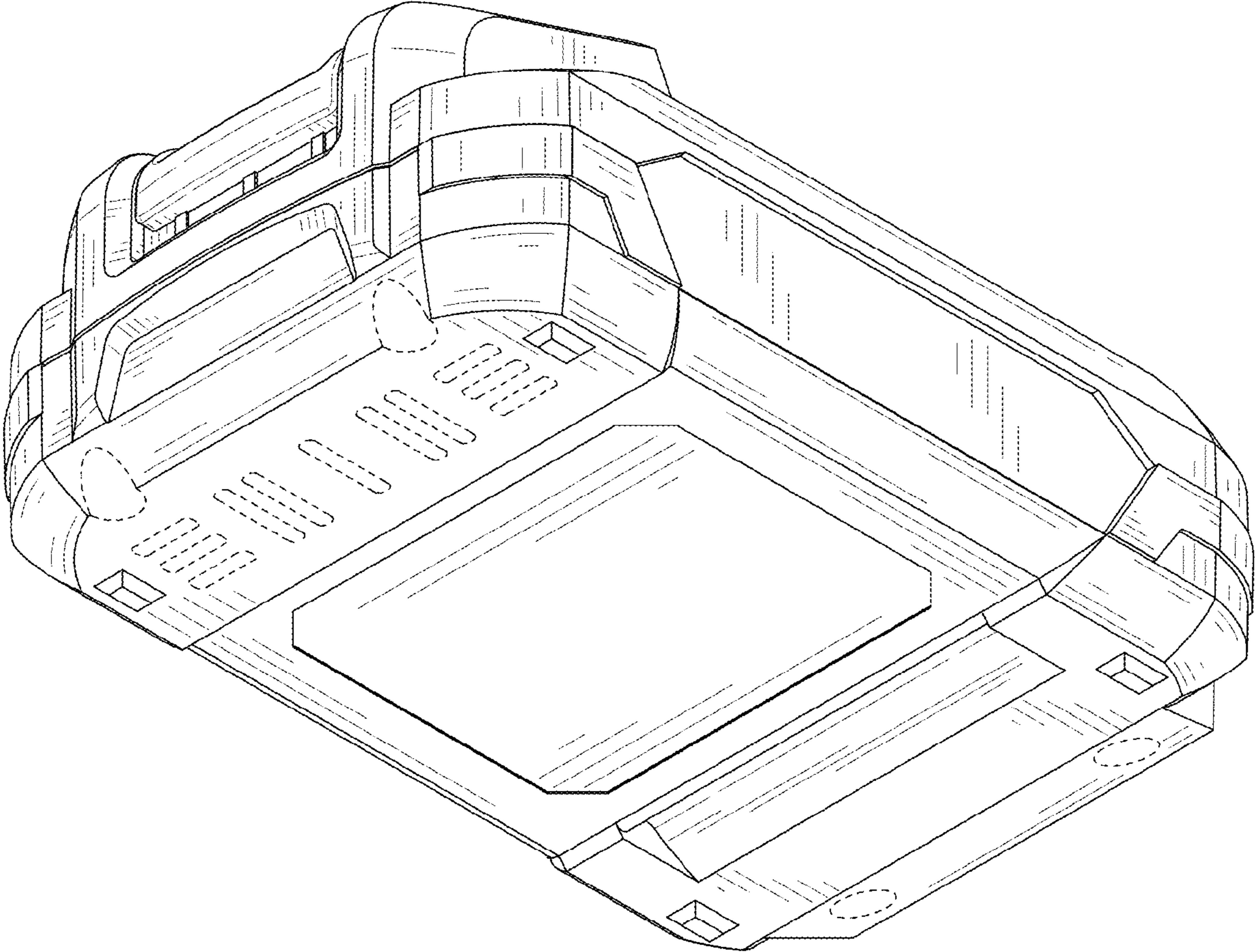


FIG. 10

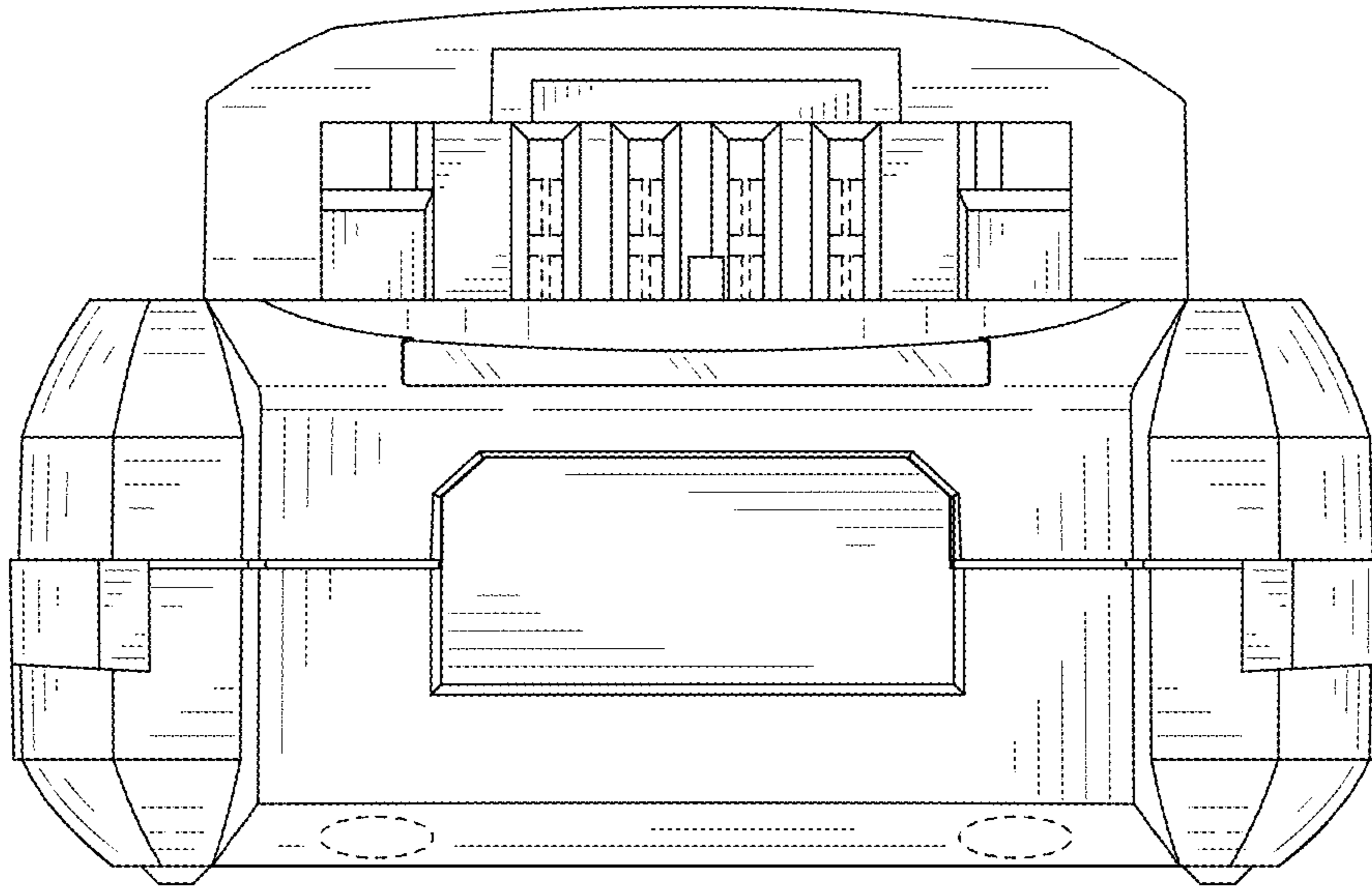


FIG. 11

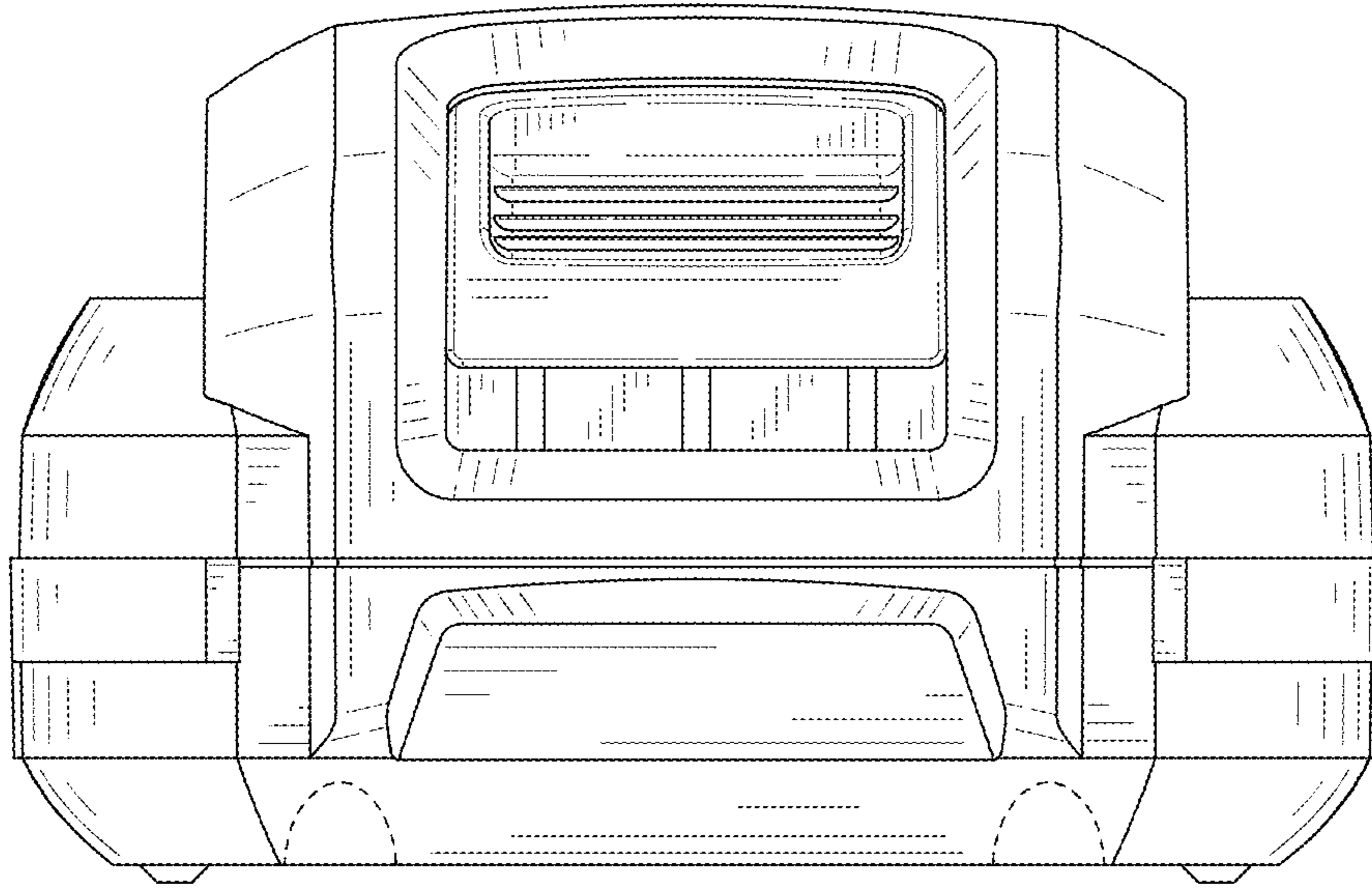


FIG. 12

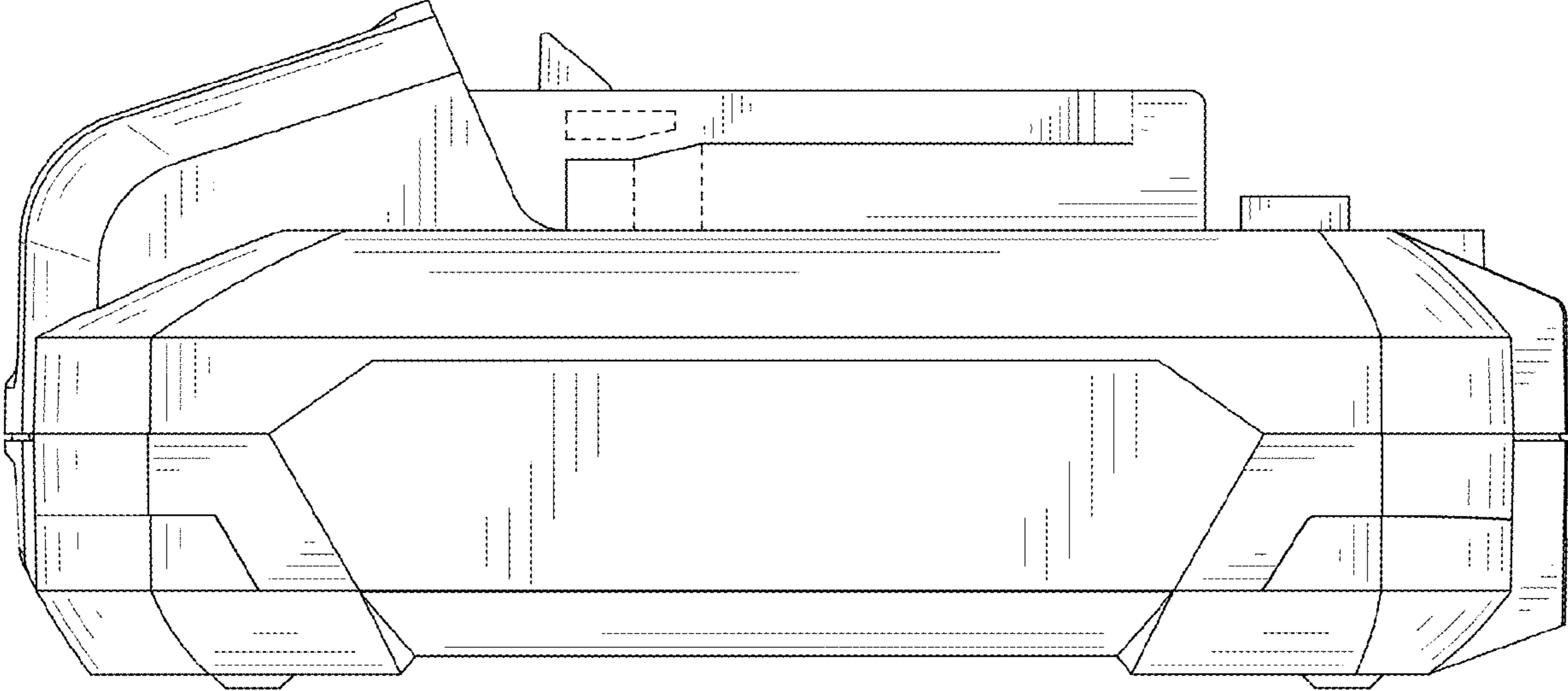


FIG. 13

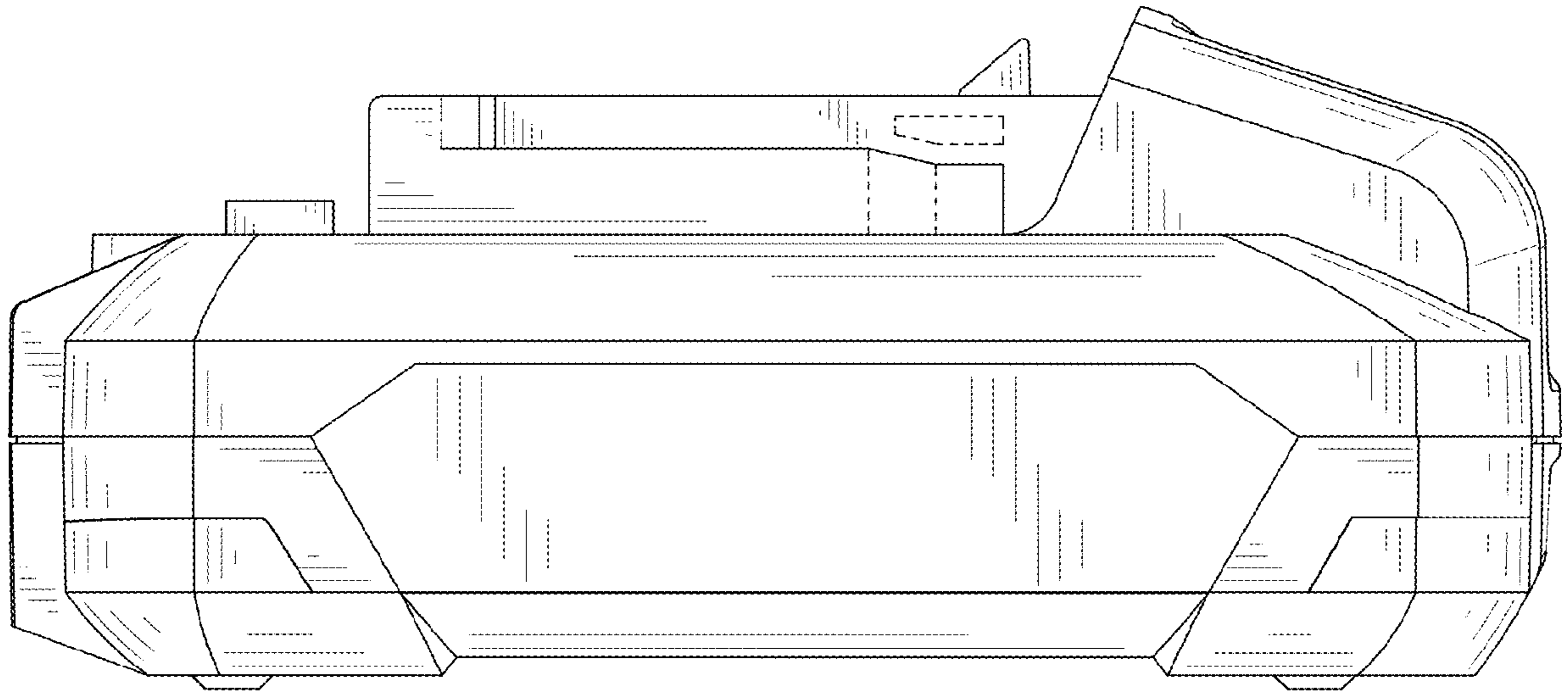


FIG. 14



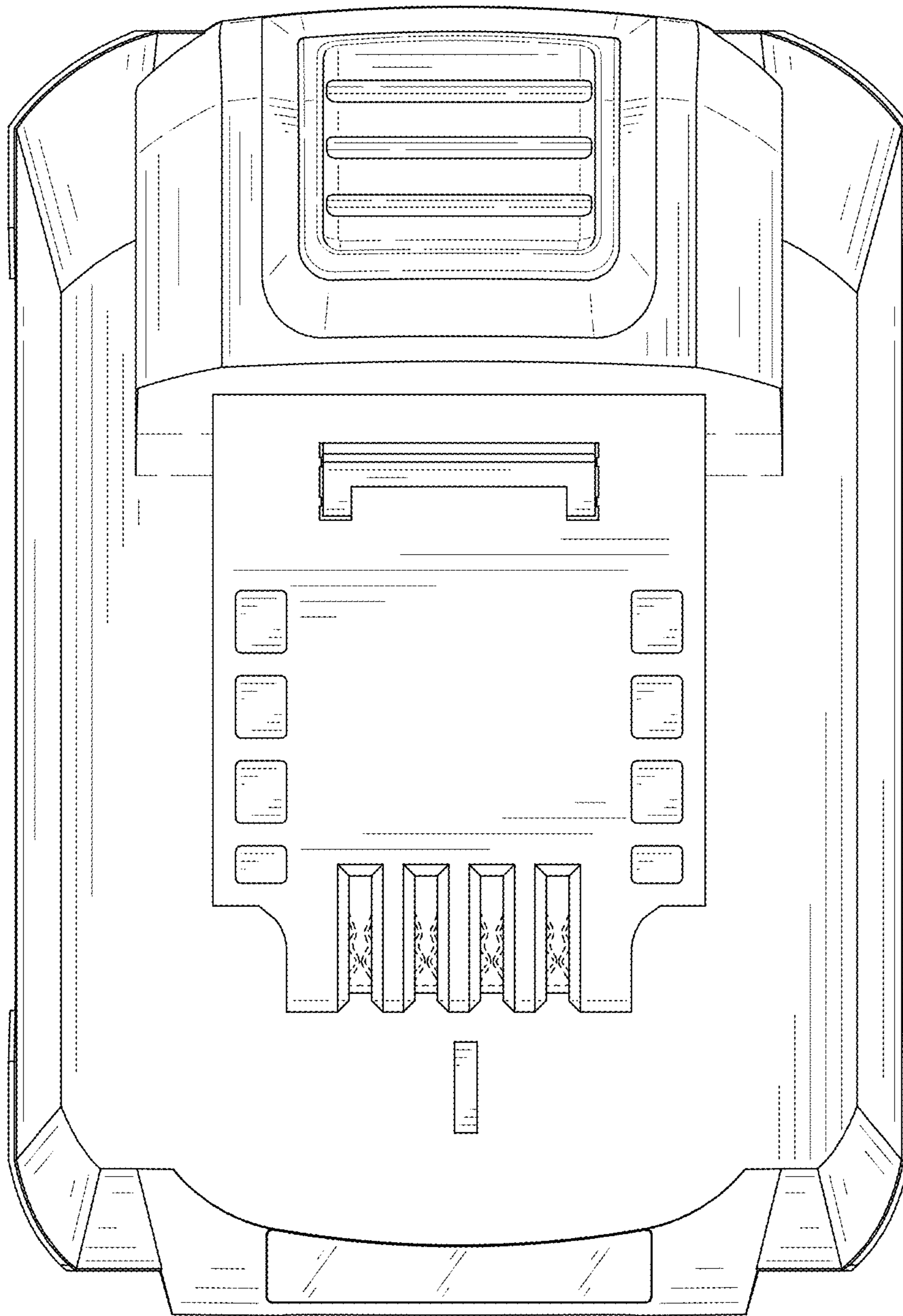


FIG. 15

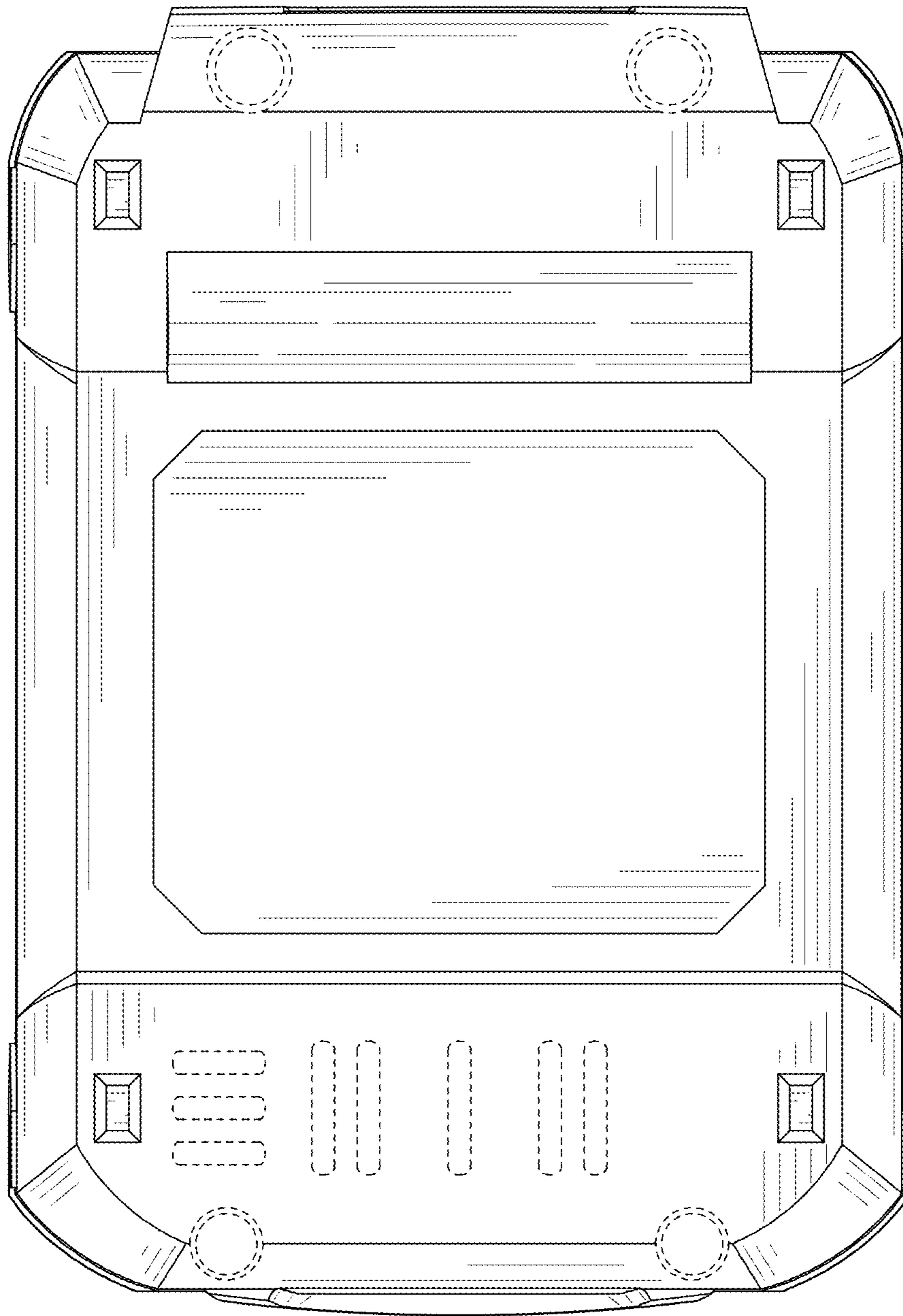


FIG. 16