



US00D952553S

(12) **United States Design Patent**
Matus

(10) **Patent No.:** **US D952,553 S**

(45) **Date of Patent:** **** May 24, 2022**

(54) **DRONE BATTERY PACK**

(71) Applicant: **Teal Drones, Inc.**, Holladay, UT (US)

(72) Inventor: **George Michael Matus**, Salt Lake City, UT (US)

(73) Assignee: **UAVPatent Corp.**, Carson City, NV (US)

(**) Term: **15 Years**

(21) Appl. No.: **29/748,674**

(22) Filed: **Aug. 31, 2020**

(51) **LOC (13) Cl.** **13-02**

(52) **U.S. Cl.**
USPC **D13/103**

(58) **Field of Classification Search**

USPC D13/102–106, 110, 118–119, 184
CPC . Y02E 60/10; H01M 2220/30; H01M 50/209;
H01M 50/213; H01M 50/183; H01M
50/10; H01M 50/529; H01M 50/531;
H01M 10/0525; H01M 10/0436; H01M
10/052; H01M 10/0565; H01M 10/30;
H01M 10/345; H01M 10/425; H01M
2010/0495; B25F 5/02; B25F 5/00; A61B
2017/00734

See application file for complete search history.

(56) **References Cited**

U.S. PATENT DOCUMENTS

D490,370 S * 5/2004 Picardo D13/103
D545,268 S * 6/2007 Shiu D13/103

D550,613 S * 9/2007 Hamasaki D13/103
D557,204 S * 12/2007 Panebianco D13/103
D660,788 S * 5/2012 Ziring D13/103
D663,264 S * 7/2012 London D13/103
D802,528 S * 11/2017 Zhang D13/103
D835,573 S * 12/2018 Chen D13/103
D883,195 S * 5/2020 Jiang D13/103
D900,021 S * 10/2020 Shen D13/103
D921,575 S * 6/2021 Zhao D13/103
D922,938 S * 6/2021 Sexton D13/103
2020/0411813 A1 * 12/2020 Maggert H01M 50/209

* cited by examiner

Primary Examiner — Nathaniel D. Buckner

(57) **CLAIM**

The ornamental design for a drone battery pack, as shown and described.

DESCRIPTION

The invention was made with Government support under Agreement No. W15QKN-19-9-0044 awarded by USACC-NJ. The Government has certain rights in the invention.

FIG. 1 is a top perspective view of a drone battery pack, showing my new design;

FIG. 2 is a top plan view thereof;

FIG. 3 is a bottom plan view thereof;

FIG. 4 is a front elevation view thereof;

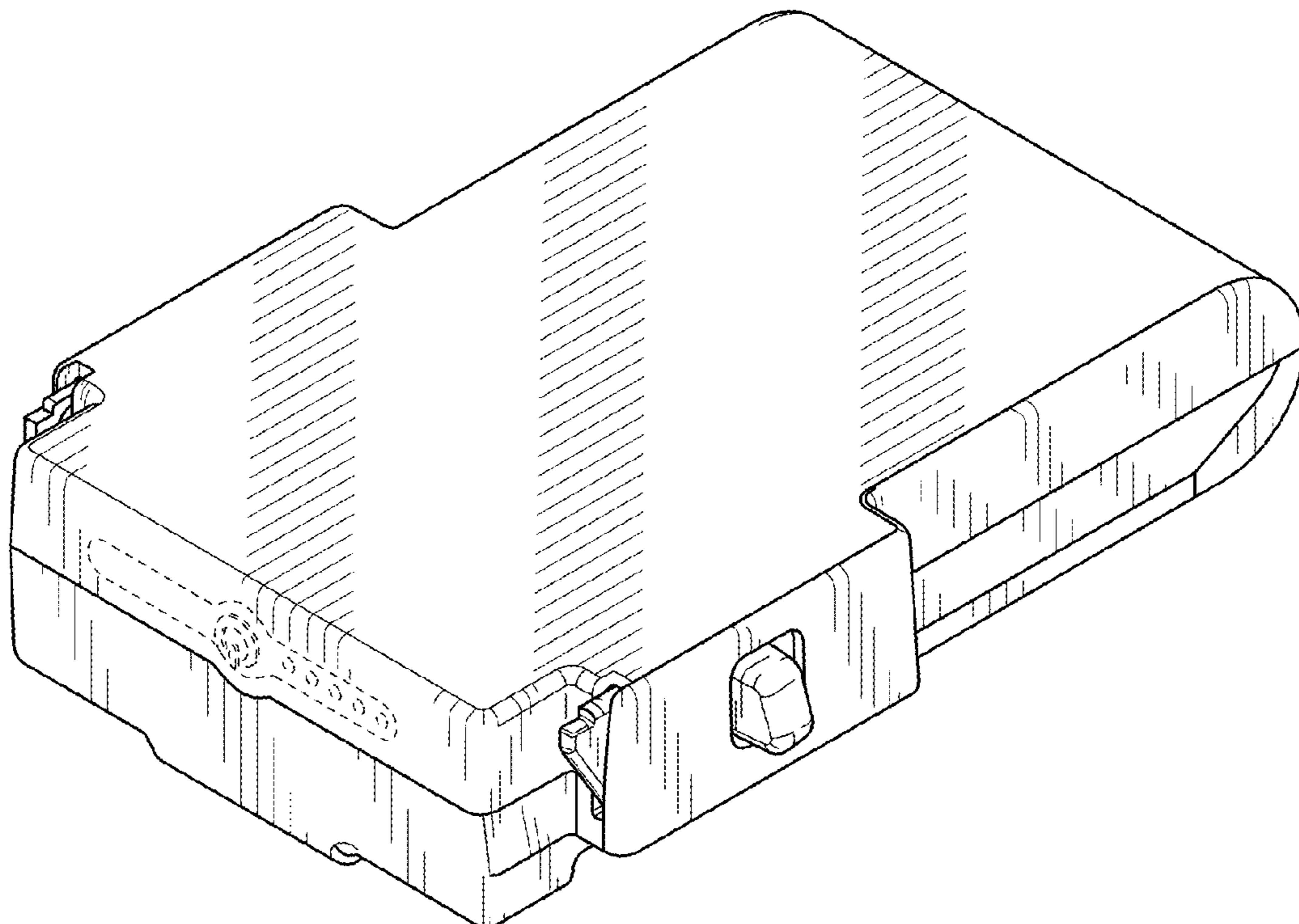
FIG. 5 is a back elevation view thereof;

FIG. 6 is a left side elevation view thereof; and,

FIG. 7 is a right side elevation view thereof.

The broken lines in the figures depict portions of the drone battery pack that form no part of the claimed design.

1 Claim, 4 Drawing Sheets



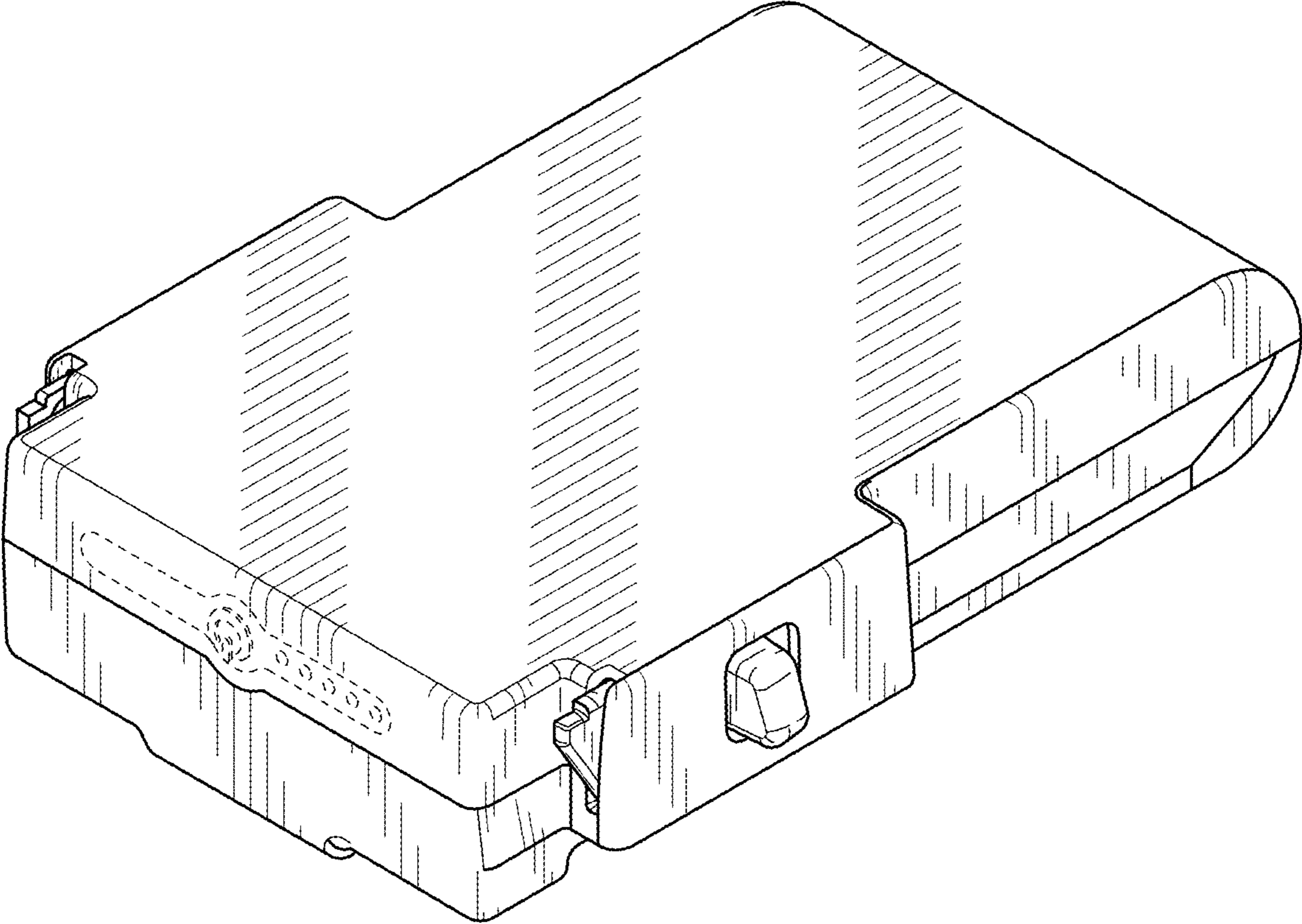


FIG. 1

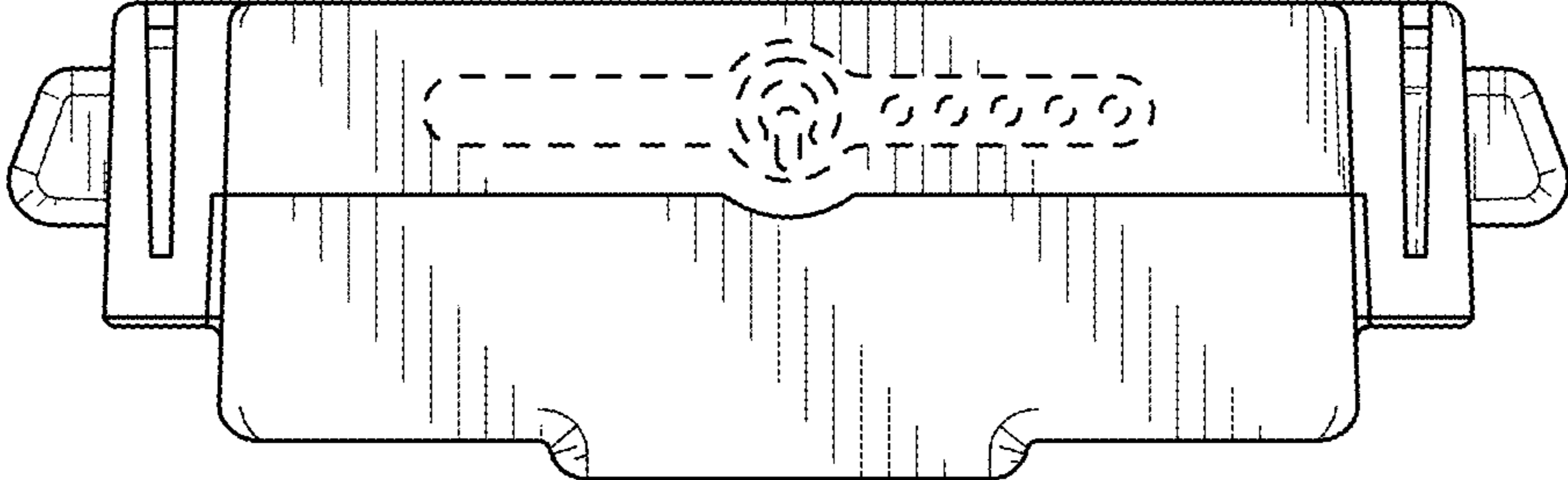


FIG. 2

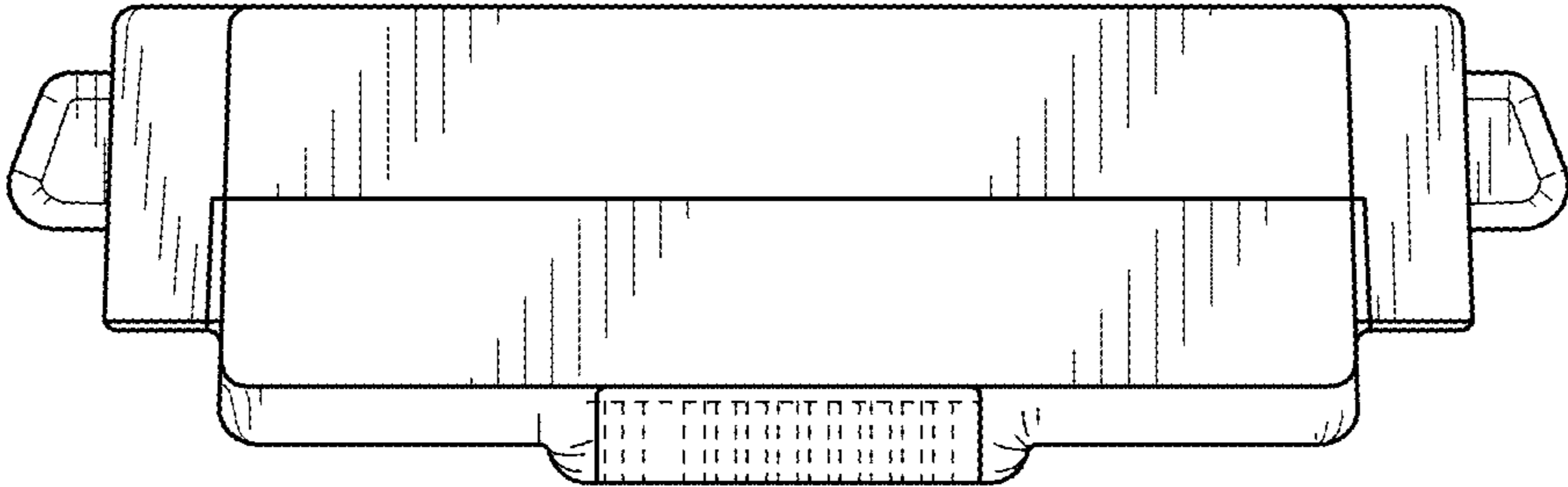


FIG. 3

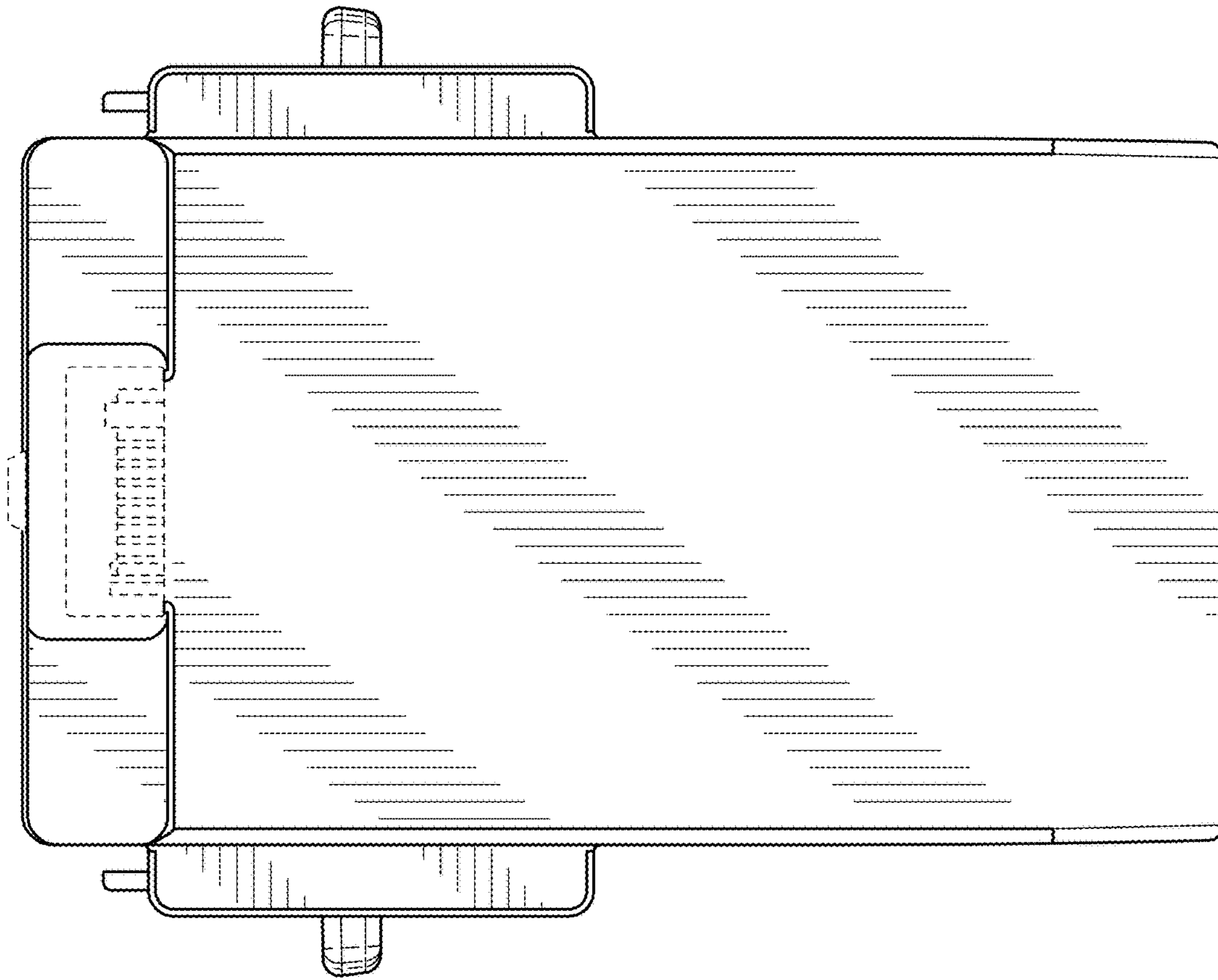


FIG. 5

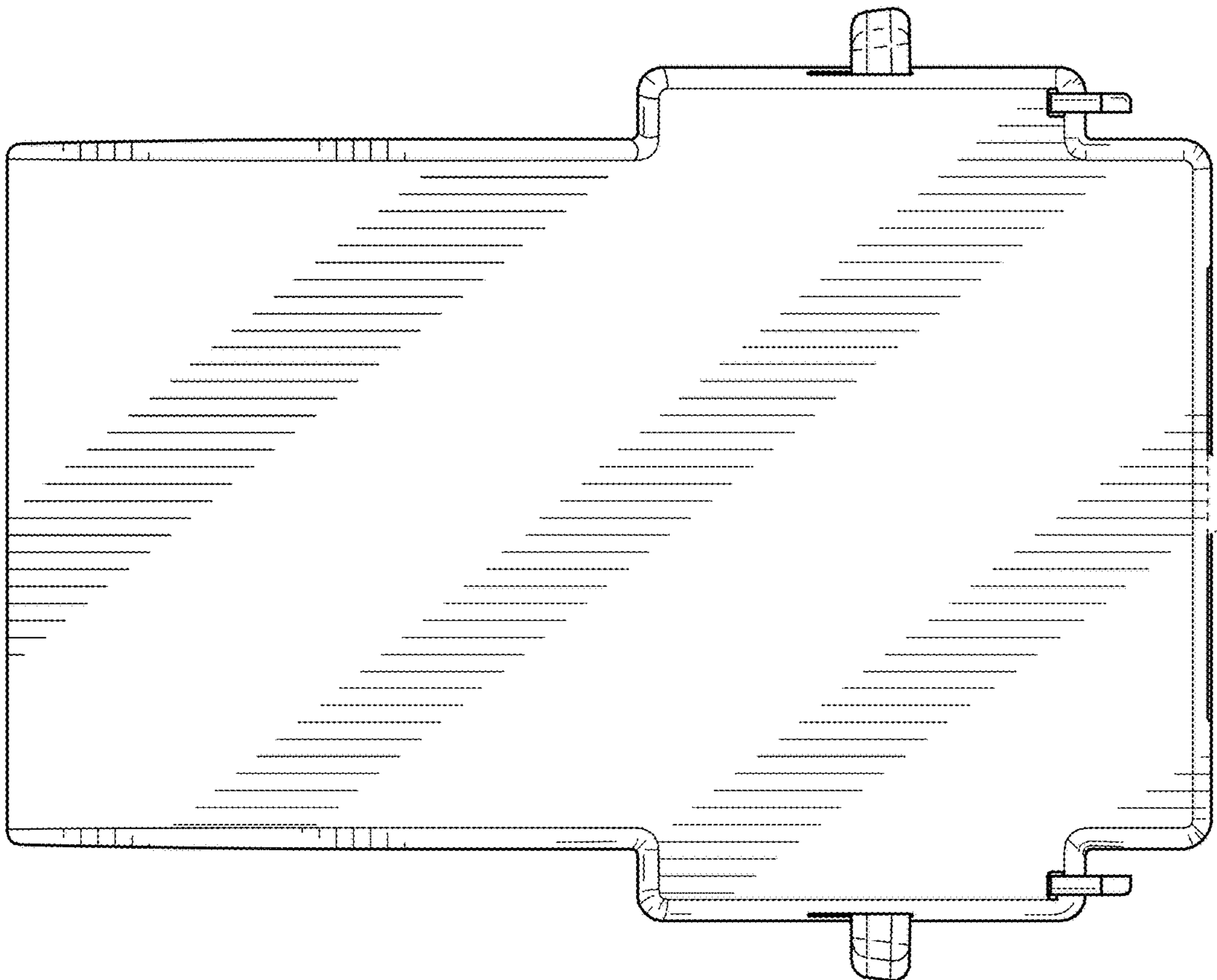


FIG. 4

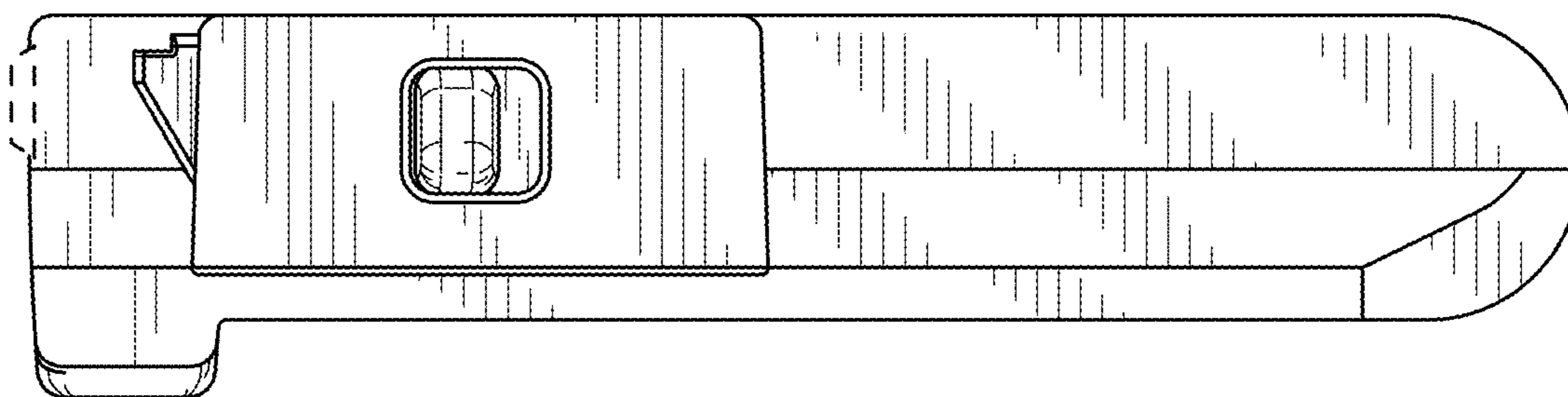


FIG. 6

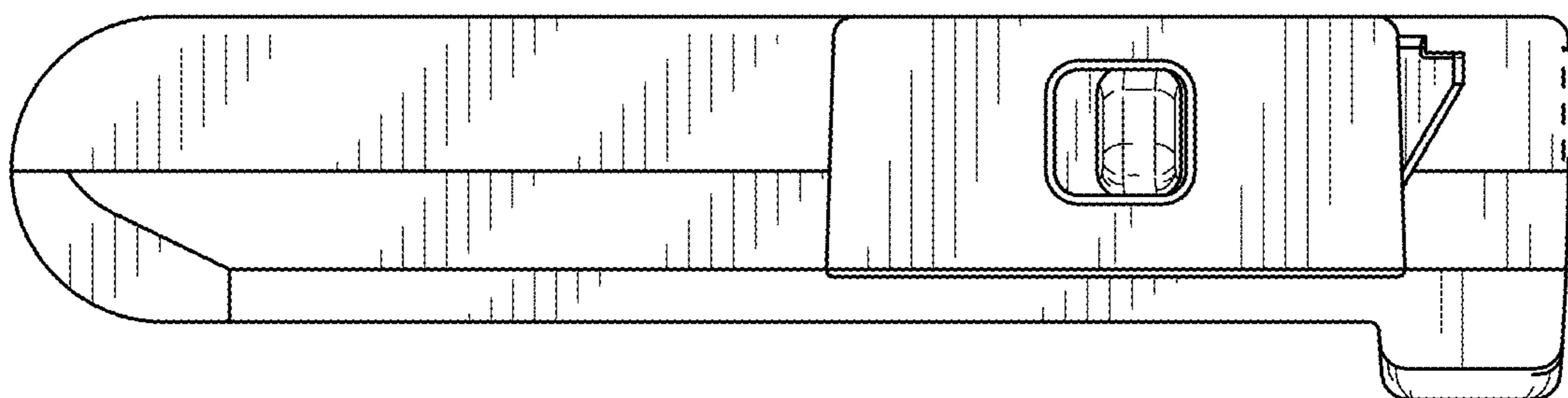


FIG. 7